



US00D746227S

(12) **United States Design Patent**  
**Lemire-Elmore et al.**

(10) **Patent No.:** **US D746,227 S**  
(45) **Date of Patent:** **\*\* Dec. 29, 2015**

(54) **BATTERY CHARGER**

(56) **References Cited**

(71) Applicants: **Justin Bruce Lemire-Elmore**,  
Vancouver (CA); **Robert Fraser**  
**Cameron**, Vancouver (CA); **Robert**  
**James Campbell**, Vancouver (CA)

(72) Inventors: **Justin Bruce Lemire-Elmore**,  
Vancouver (CA); **Robert Fraser**  
**Cameron**, Vancouver (CA); **Robert**  
**James Campbell**, Vancouver (CA)

U.S. PATENT DOCUMENTS

D413,567	S	*	9/1999	Person et al.	.....	D13/110
D575,225	S	*	8/2008	Ahlgren	.....	D13/107
D601,961	S	*	10/2009	Mahaffey et al.	.....	D13/123
D612,329	S	*	3/2010	Guccione et al.	.....	D13/108
D676,380	S	*	2/2013	Sun	.....	D13/108
D697,026	S	*	1/2014	Dasbach	.....	D13/108
D700,138	S	*	2/2014	Walz et al.	.....	D13/103
D705,724	S	*	5/2014	Yu	.....	D13/108
D711,820	S	*	8/2014	Zeng	.....	D13/108
2014/0049208	A1	*	2/2014	Carkner et al.	.....	320/103

\* cited by examiner

(73) Assignee: **Grin Technologies Ltd.**, Vancouver, BC  
(CA)

*Primary Examiner* — Rosemary K Tarcza

(\*\*) Term: **14 Years**

(57) **CLAIM**

The ornamental design for a battery charger, as shown and described.

(21) Appl. No.: **29/477,008**

**DESCRIPTION**

(22) Filed: **Dec. 18, 2013**

FIG. 1 is a front perspective view of a battery charger according to the present invention;  
FIG. 2 is a front view thereof;  
FIG. 3 is a right side view thereof;  
FIG. 4 is a left side view thereof;  
FIG. 5 is a top view thereof;  
FIG. 6 is a bottom view thereof; and,  
FIG. 7 is a back view thereof.

(51) **LOC (10) Cl.** ..... **13-02**

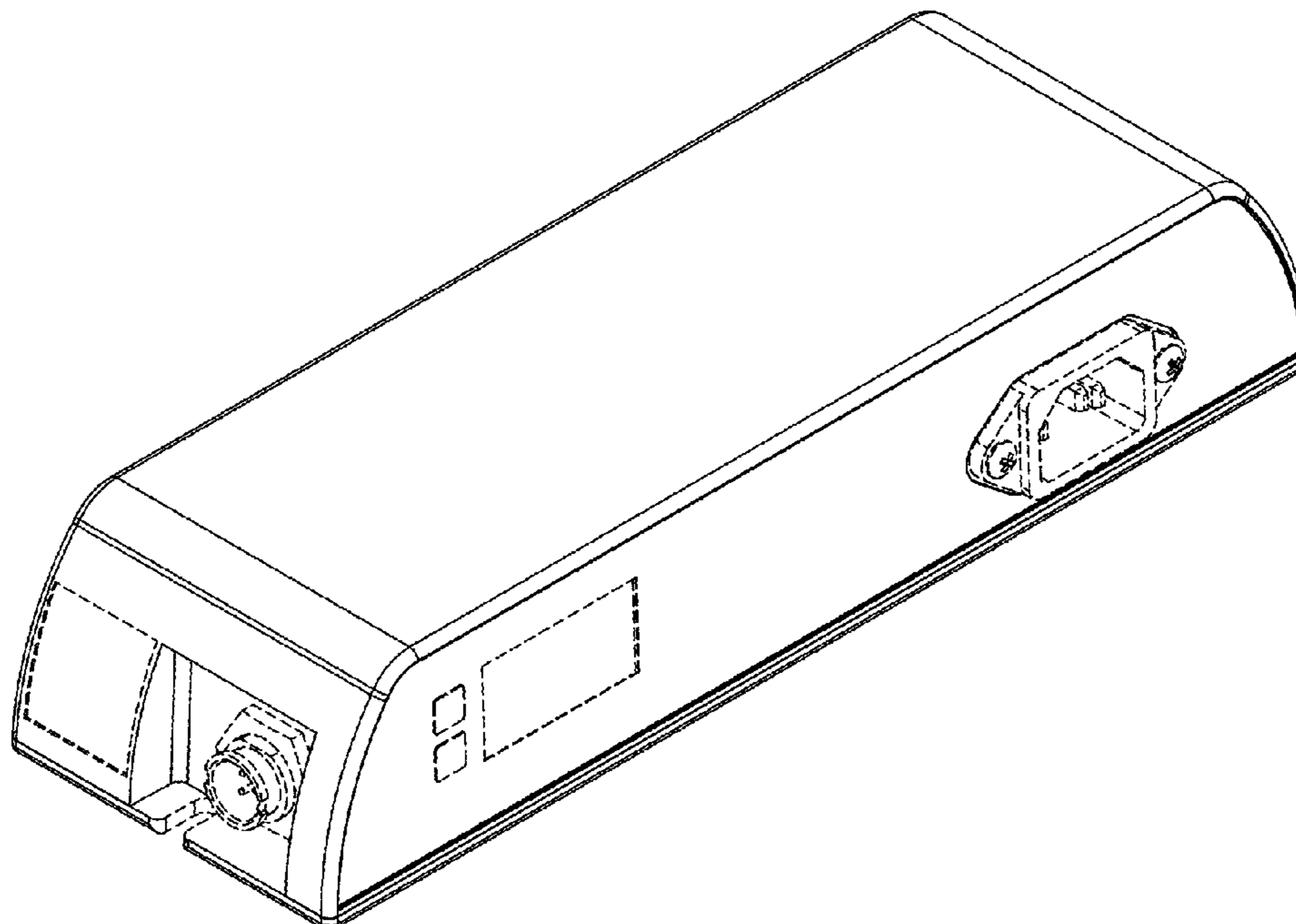
(52) **U.S. Cl.**  
USPC ..... **D13/107**

(58) **Field of Classification Search**  
USPC ..... D13/102–110, 118–119, 184, 199;  
D14/356, 432; 320/103, 111–115,  
320/135–146

The broken lines in the drawings are for the purpose of illustrating unclaimed portions of the battery charger and form no part of the claimed design.

See application file for complete search history.

**1 Claim, 3 Drawing Sheets**



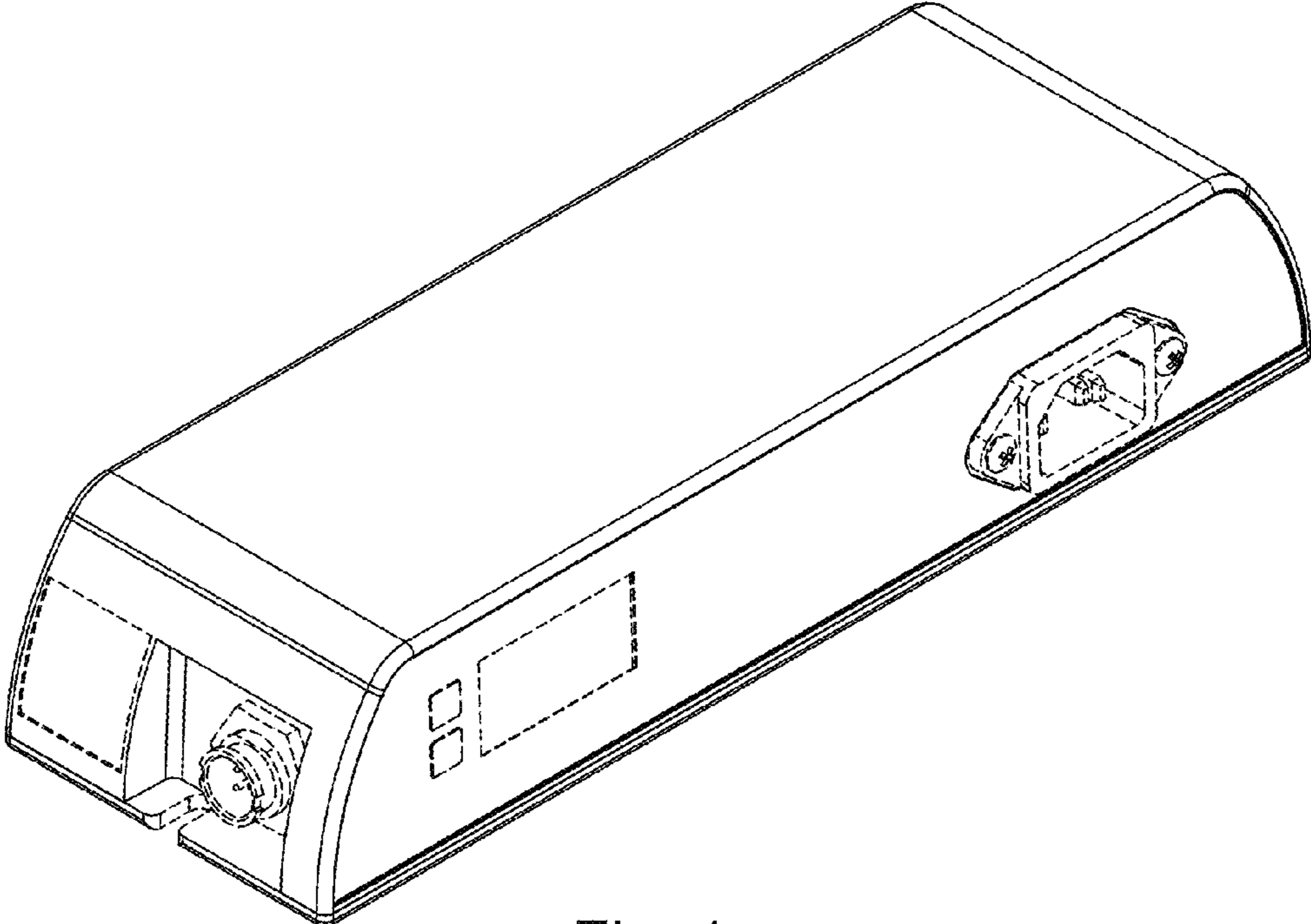


Fig. 1

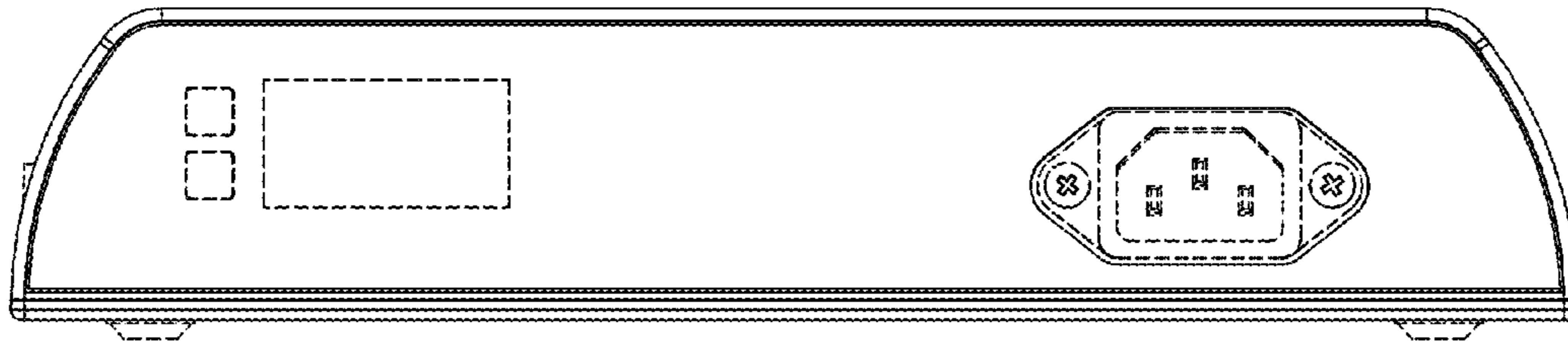


Fig. 2

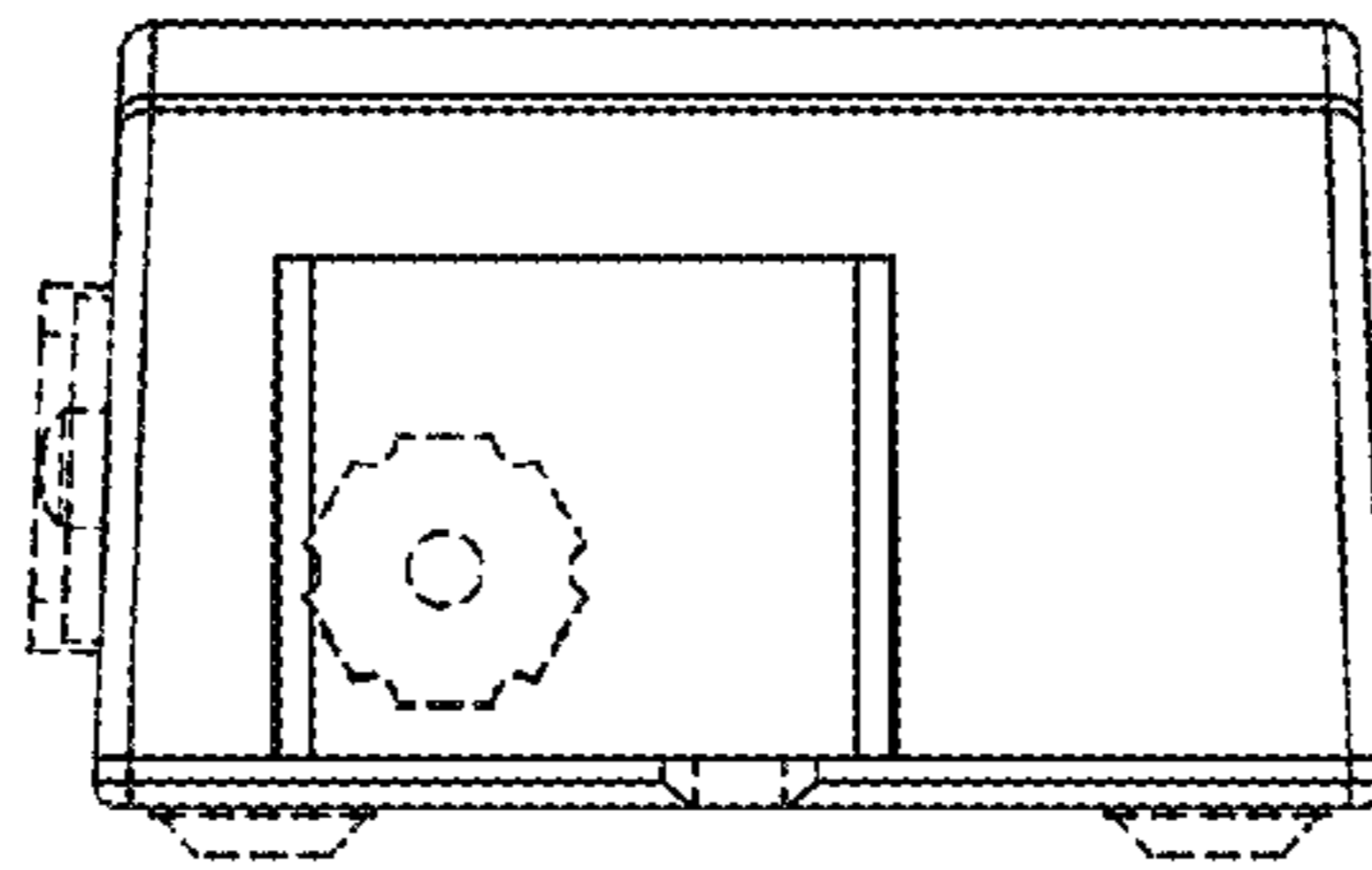


Fig. 3

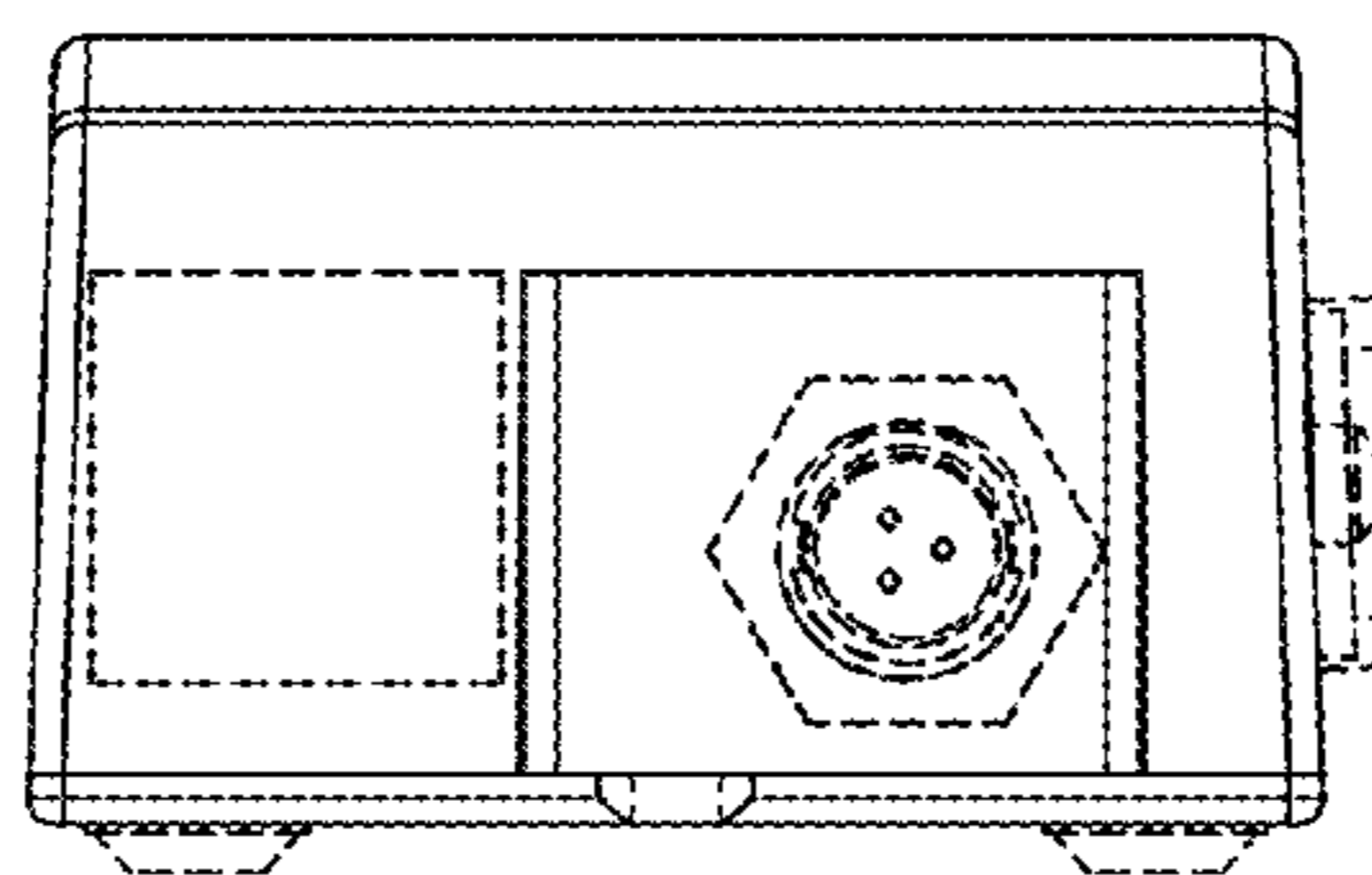


Fig. 4

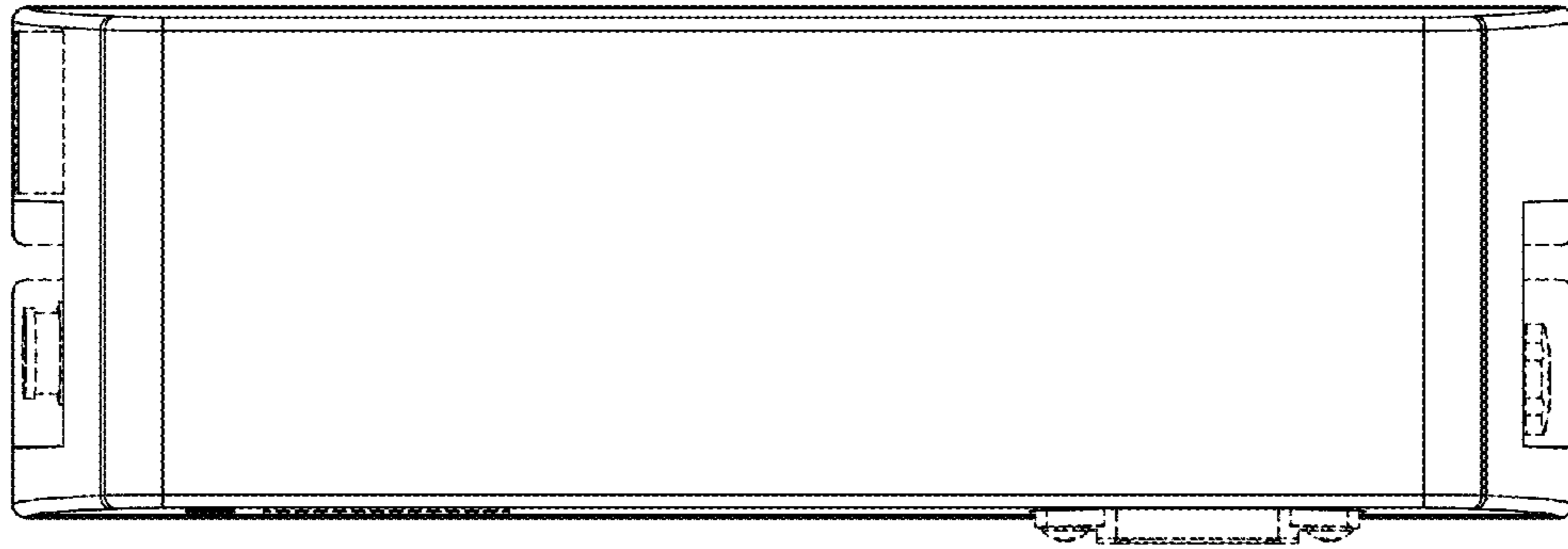


Fig. 5

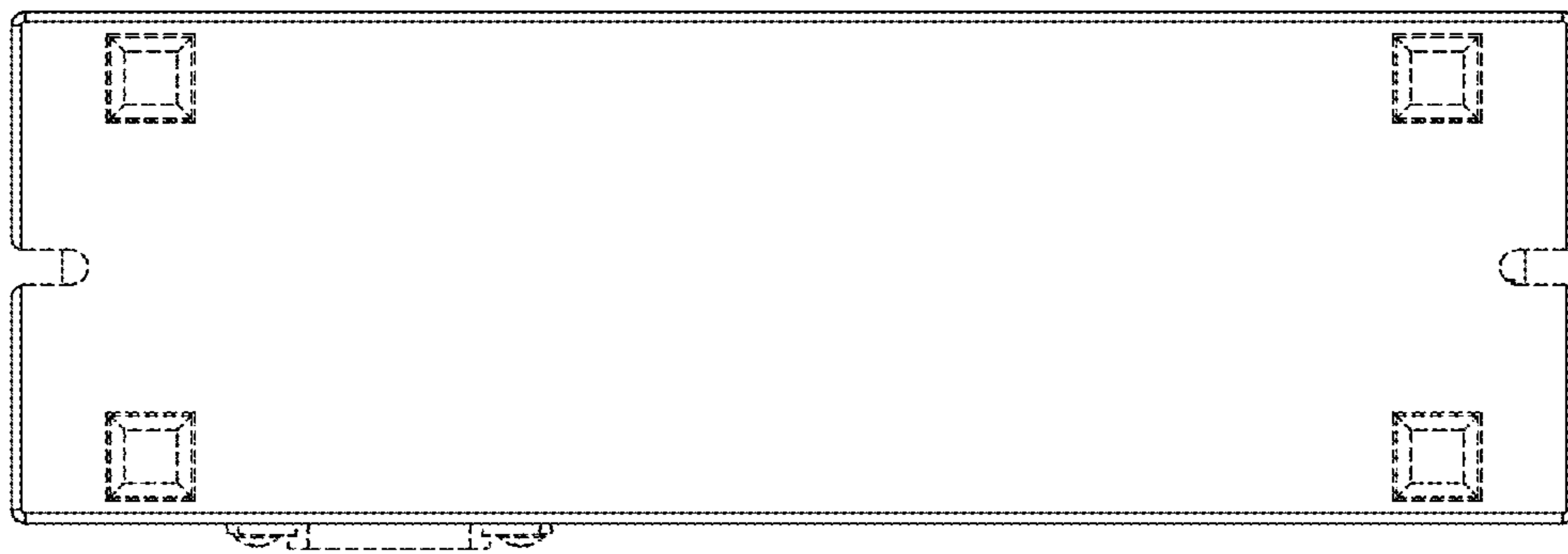


Fig. 6

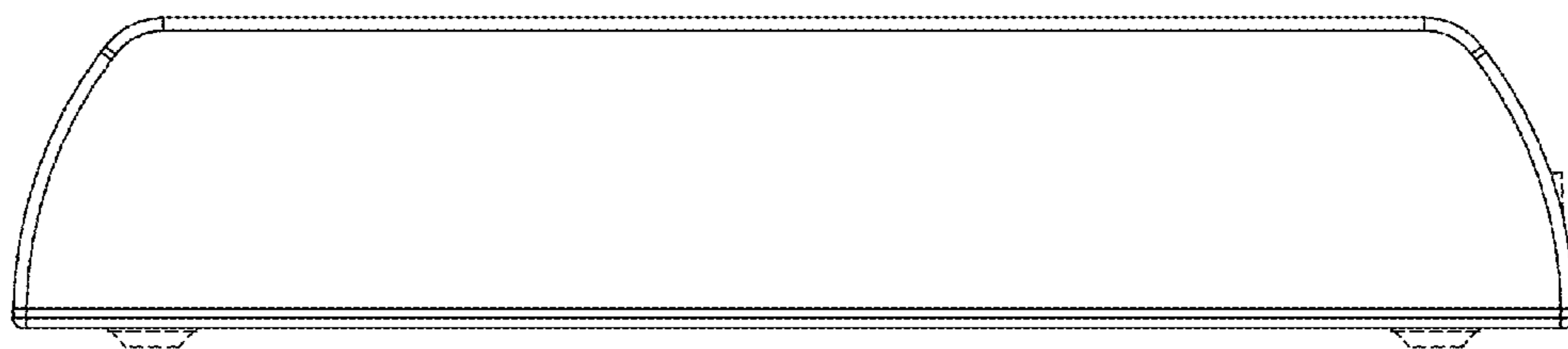


Fig. 7