



US00D746226S

(12) **United States Design Patent**  
**Tian**

(10) **Patent No.:** **US D746,226 S**

(45) **Date of Patent:** **\*\* Dec. 29, 2015**

(54) **TYRE**

(71) Applicant: **SHANDONG HENGYU SCIENCE & TECHNOLOGY CO., LTD.**, Shandong Province (CN)

(72) Inventor: **Jiali Tian**, Shandong Province (CN)

(\*\*) Term: **14 Years**

(21) Appl. No.: **29/482,579**

(22) Filed: **Feb. 19, 2014**

(30) **Foreign Application Priority Data**

Aug. 23, 2013 (CN) ..... 2013 3 0405802

(51) **LOC (10) Cl.** ..... **12-15**

(52) **U.S. Cl.**  
USPC ..... **D12/601**

(58) **Field of Classification Search**  
USPC ..... D12/568-603; 152/209.1-209.9  
CPC ..... B60C 1/00; B60C 11/00; B60C 11/03  
See application file for complete search history.

(56) **References Cited**

U.S. PATENT DOCUMENTS

D386,725 S *	11/1997	Matsuda et al. ....	D12/601
D588,984 S *	3/2009	Lee .....	D12/588
D596,112 S *	7/2009	Kawakami et al. ....	D12/601
D596,113 S *	7/2009	Kawakami et al. ....	D12/601
D596,114 S *	7/2009	Kawakami et al. ....	D12/601
D616,811 S *	6/2010	Yonetsu .....	D12/601
D700,132 S *	2/2014	Wang et al. ....	D12/588

\* cited by examiner

*Primary Examiner* — George D Kirschbaum

*Assistant Examiner* — Natasha Vujcic

(74) *Attorney, Agent, or Firm* — Prakash Nama; Global IP Services, PLLC

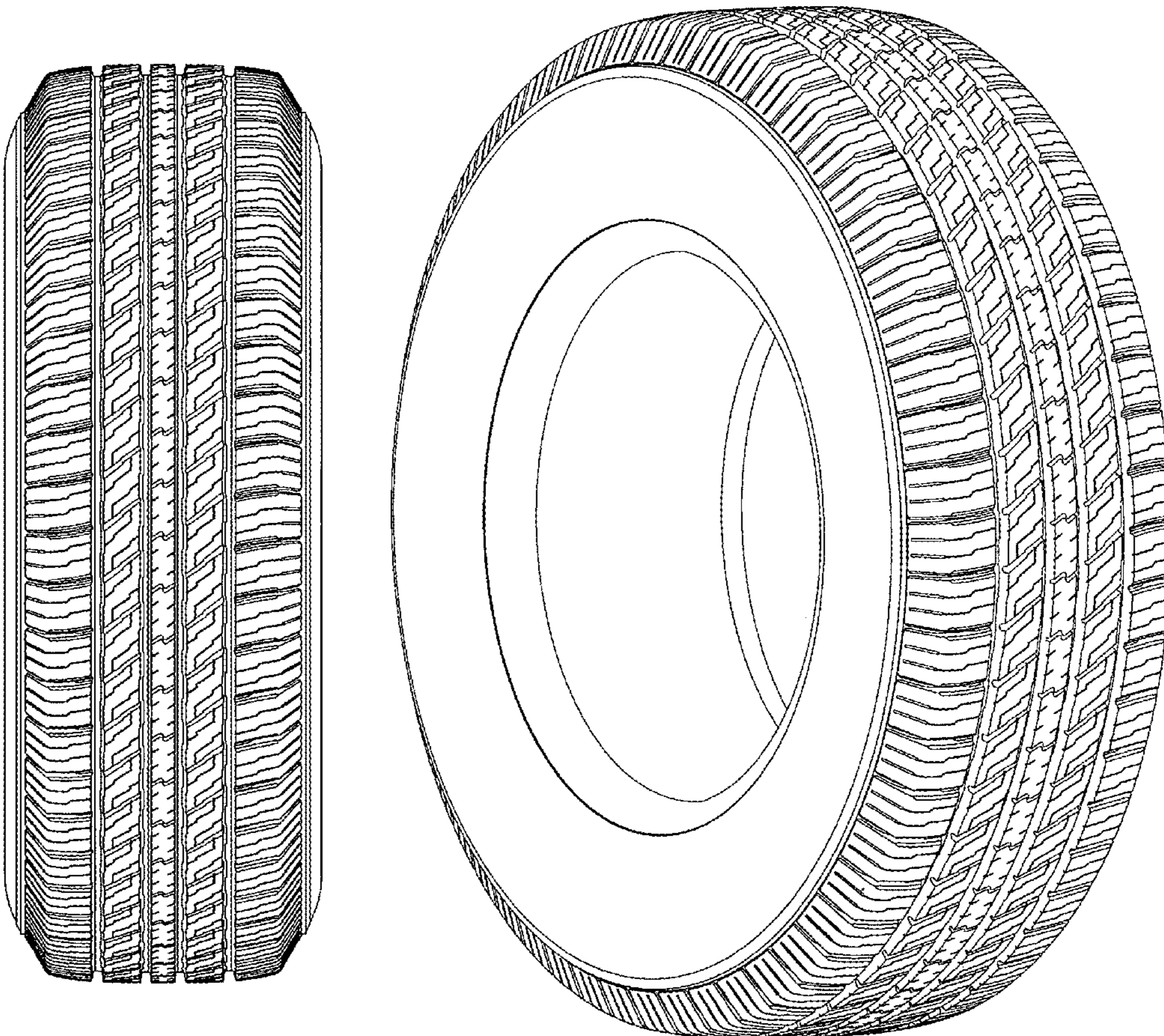
(57) **CLAIM**

I claim, the ornamental design for a tyre, as shown and described.

**DESCRIPTION**

FIG. 1 is a front elevational view of a tyre showing my new design;  
FIG. 2 is a left side view thereof; and,  
FIG. 3 is a perspective view thereof.

**1 Claim, 3 Drawing Sheets**





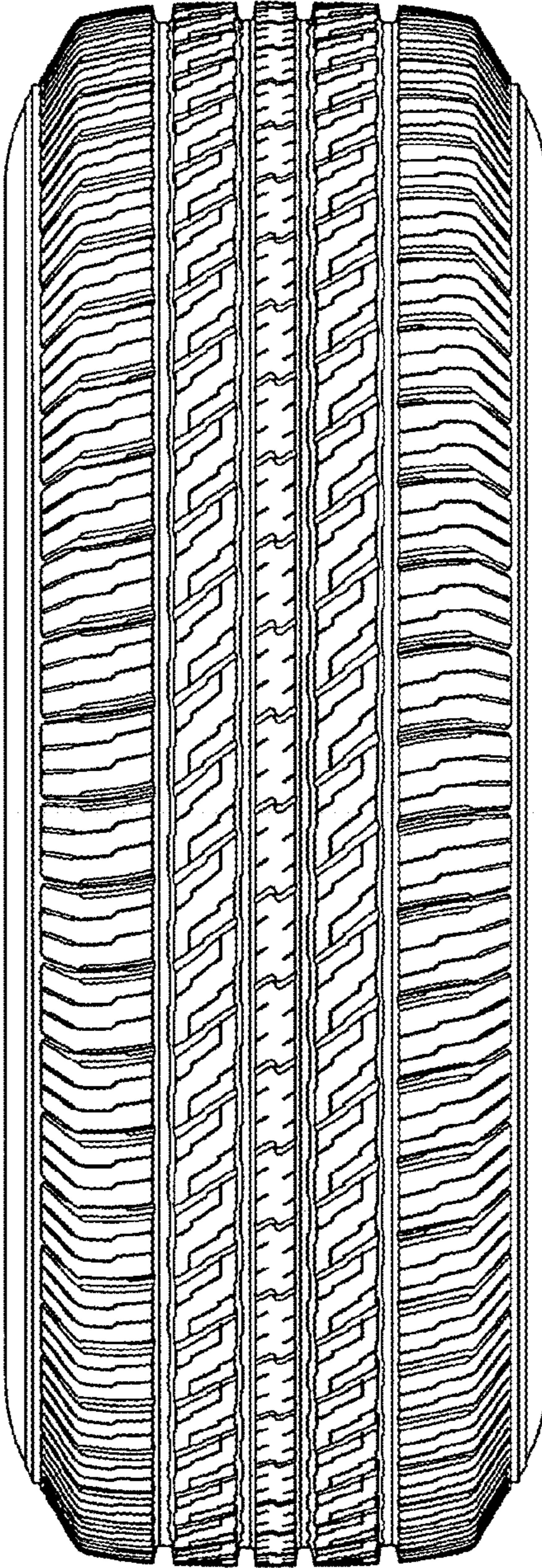


FIG. 1

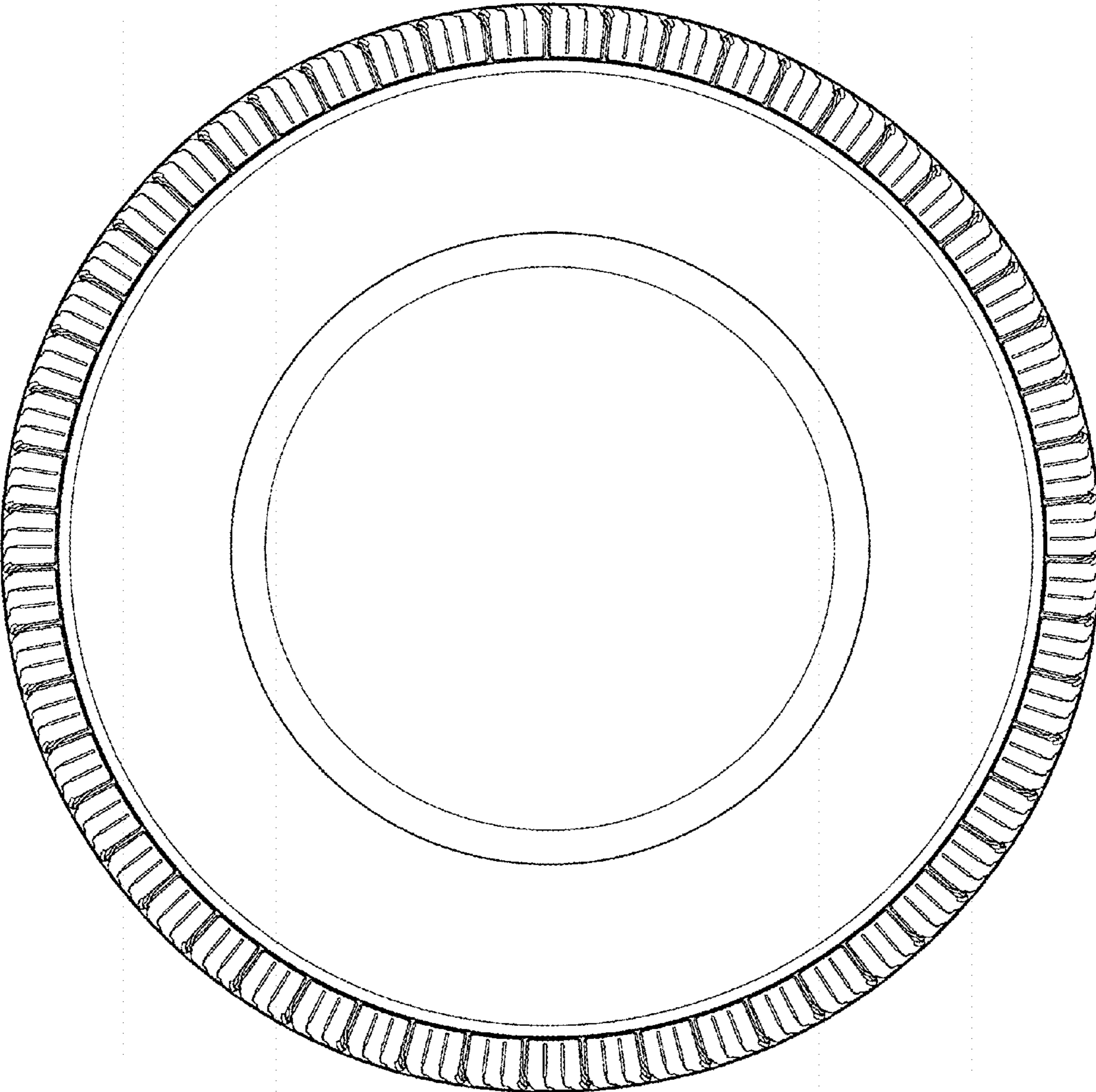


FIG. 2



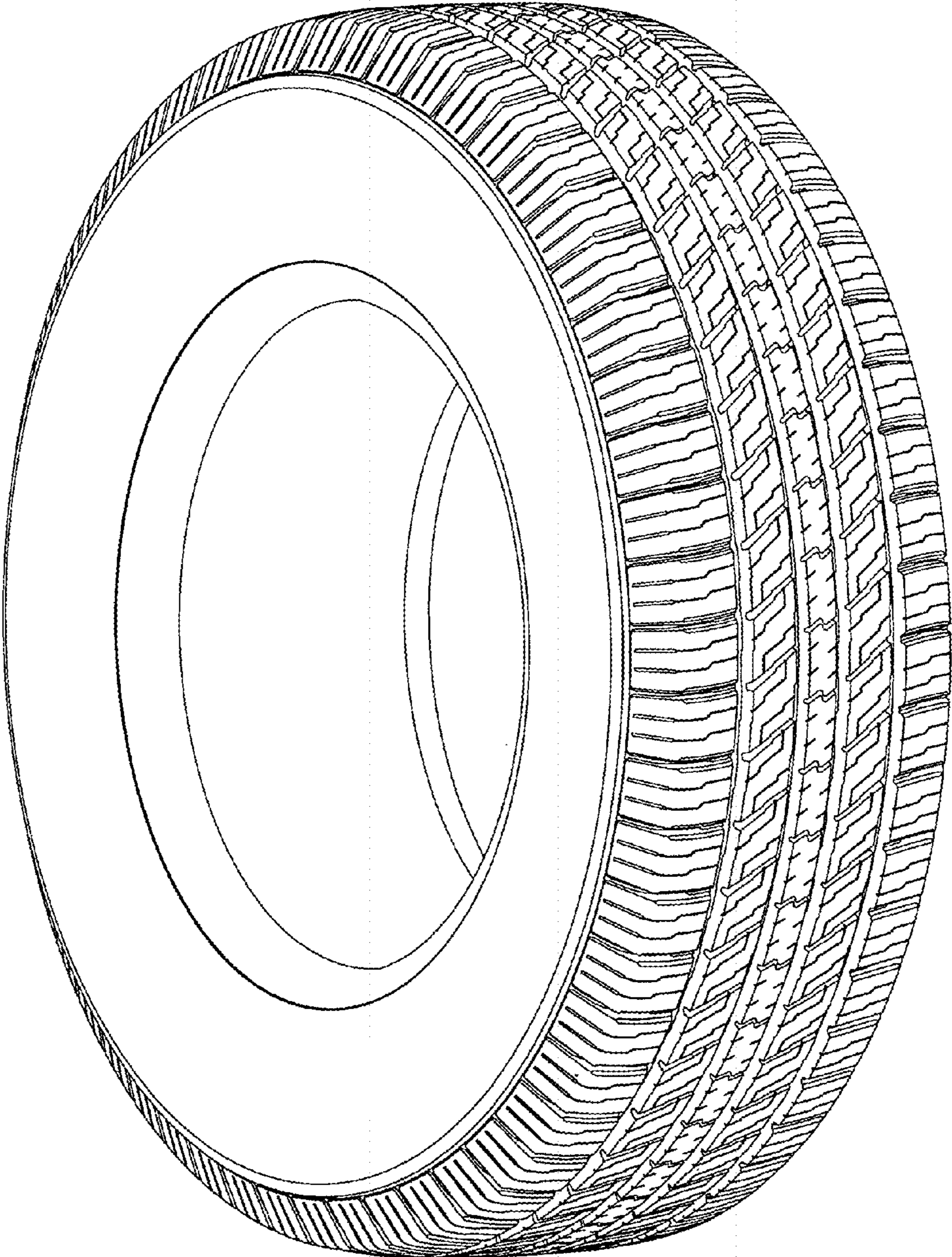


FIG. 3