



US00D746225S

(12) **United States Design Patent**
Koog

(10) **Patent No.:** **US D746,225 S**

(45) **Date of Patent:** **** Dec. 29, 2015**

(54) **TIRE TREAD**

(71) Applicant: **HANKOOK TIRE CO., LTD.**, Seoul (KR)

(72) Inventor: **Ha Eun Koog**, Seoul (KR)

(73) Assignee: **Hankook Tire Co. Ltd.**, Seoul (KR)

(**) Term: **14 Years**

(21) Appl. No.: **29/485,179**

(22) Filed: **Mar. 17, 2014**

(30) **Foreign Application Priority Data**

Oct. 1, 2013 (KR) 30-2013-0049868

(51) **LOC (10) Cl.** **12-15**

(52) **U.S. Cl.**
USPC **D12/600**

(58) **Field of Classification Search**
USPC D12/568-603; 152/209.1-209.9
CPC B60C 1/00; B60C 11/00; B60C 11/03
See application file for complete search history.

(56) **References Cited**

U.S. PATENT DOCUMENTS

D293,664 S * 1/1988 Hayakawa et al. D12/595
D484,092 S * 12/2003 Okamoto D12/600
D591,224 S * 4/2009 Ludwig et al. D12/588

D610,076 S * 2/2010 Tobino D12/600
D642,974 S * 8/2011 Koshio D12/588
D647,040 S * 10/2011 Mathonet et al. D12/588
D651,556 S * 1/2012 Westaway D12/586
D702,180 S * 4/2014 Le et al. D12/588

* cited by examiner

Primary Examiner — George D Kirschbaum

Assistant Examiner — Natasha Vujcic

(74) *Attorney, Agent, or Firm* — Hamre, Schumann, Mueller & Larson, P.C.

(57) **CLAIM**

The ornamental design for a tire tread, as shown and described.

DESCRIPTION

FIG. 1 is a perspective view of a tire tread showing my new design, it being understood that the pattern is repeated uniformly throughout the circumference of the tread;
FIG. 2 is a front elevational view thereof;
FIG. 3 is a rear elevational view thereof;
FIG. 4 is a left side view thereof;
FIG. 5 is a right side view thereof;
FIG. 6 is a top plan view thereof;
FIG. 7 is a bottom plan view thereof; and,
FIG. 8 is an enlarged fragmentary view taken from the 8-8 brackets in FIG. 2.

In the drawings, the broken lines defining the sidewall, inner bead and the peripheral boundary between the claimed tire tread and the unclaimed sidewall depict environmental subject matter that forms no part of the claimed design.

1 Claim, 8 Drawing Sheets

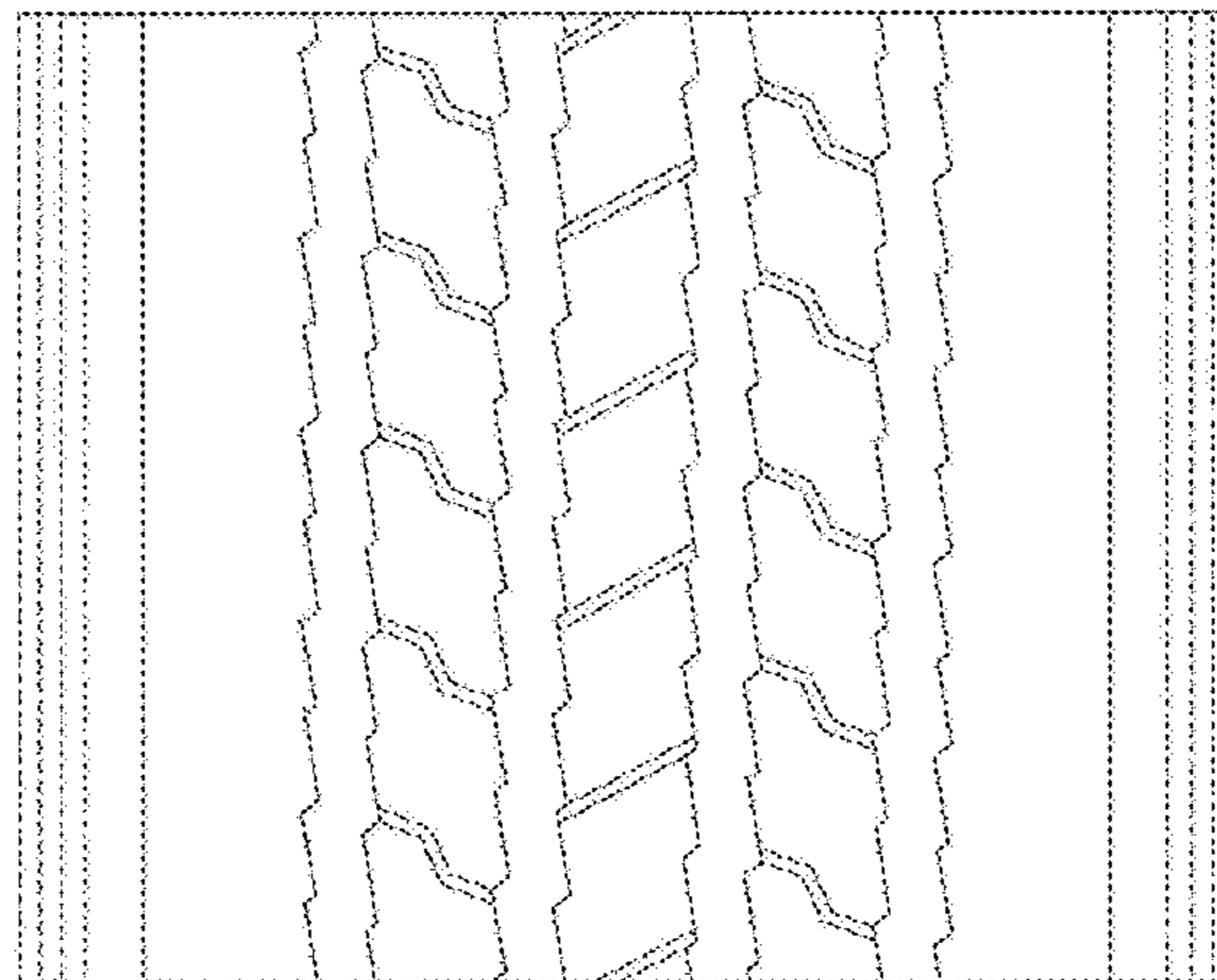
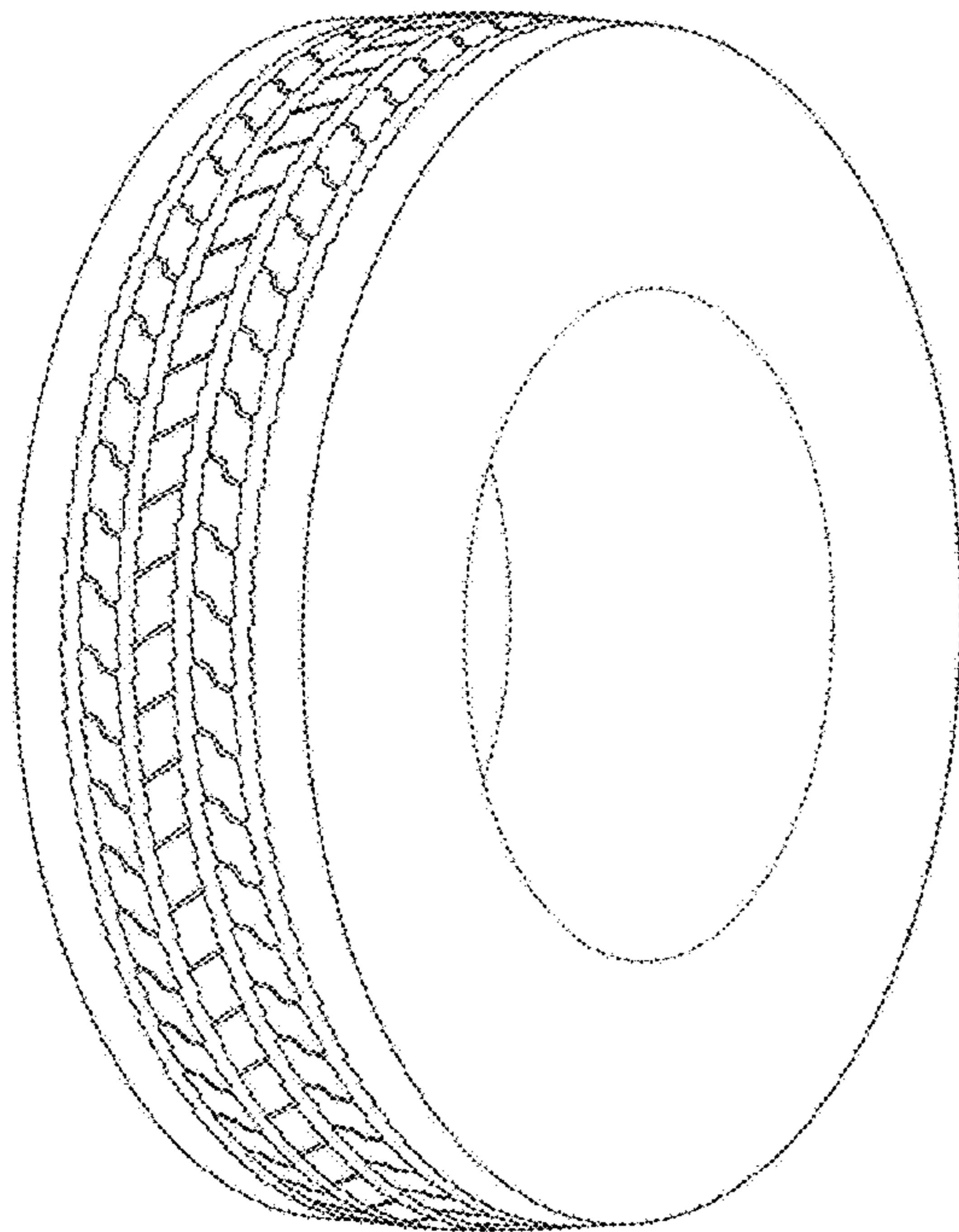


FIG. 1

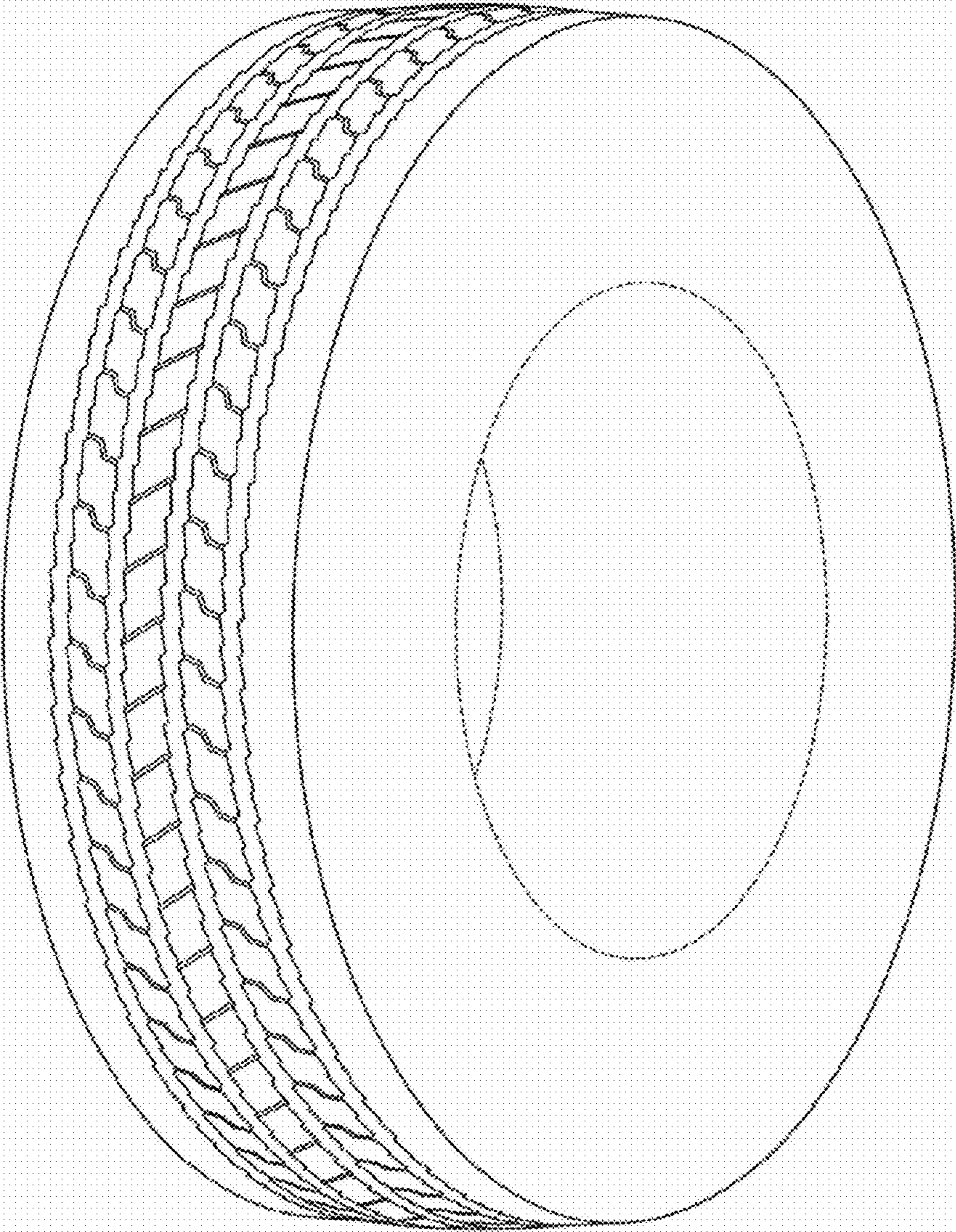


FIG. 2

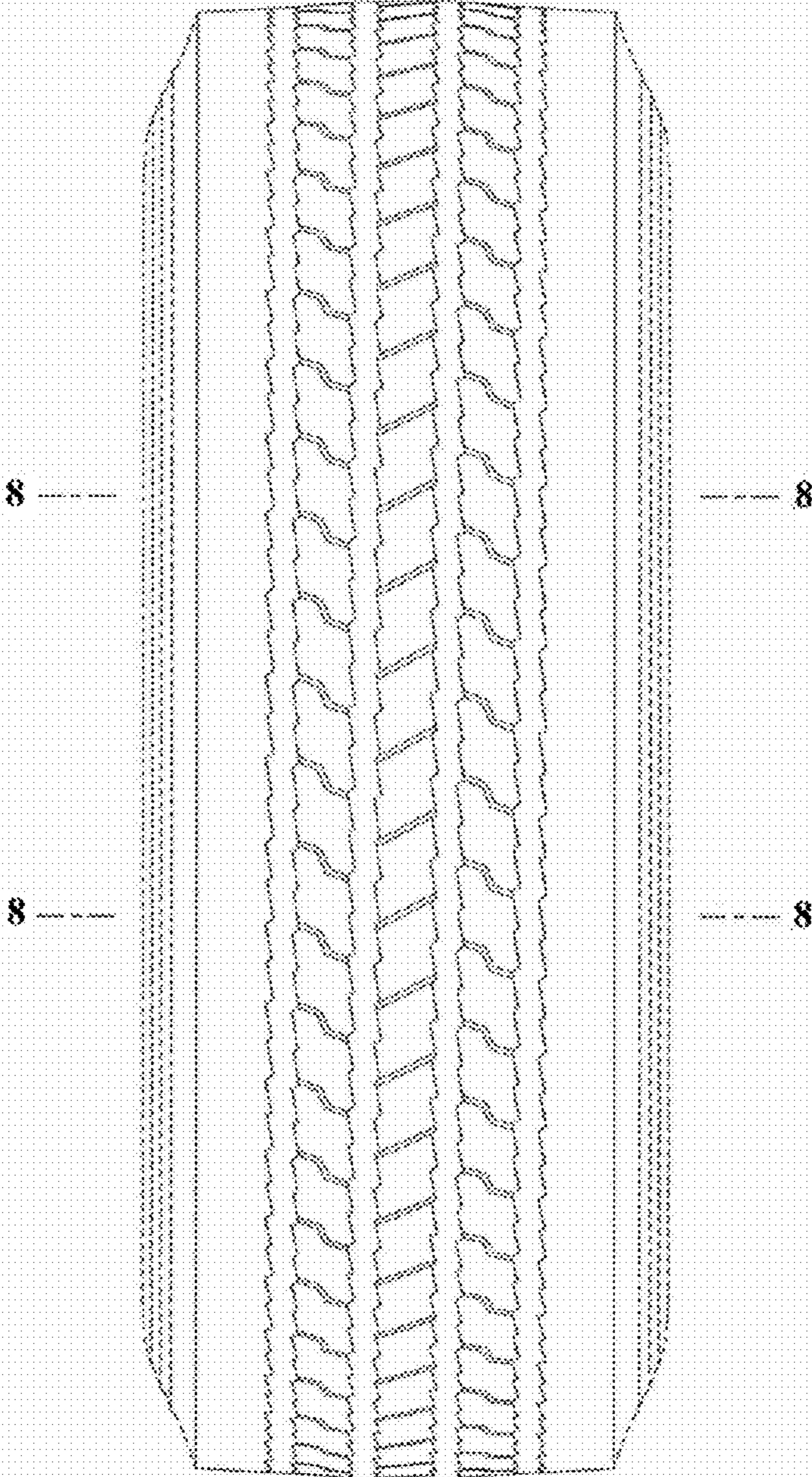


FIG. 3

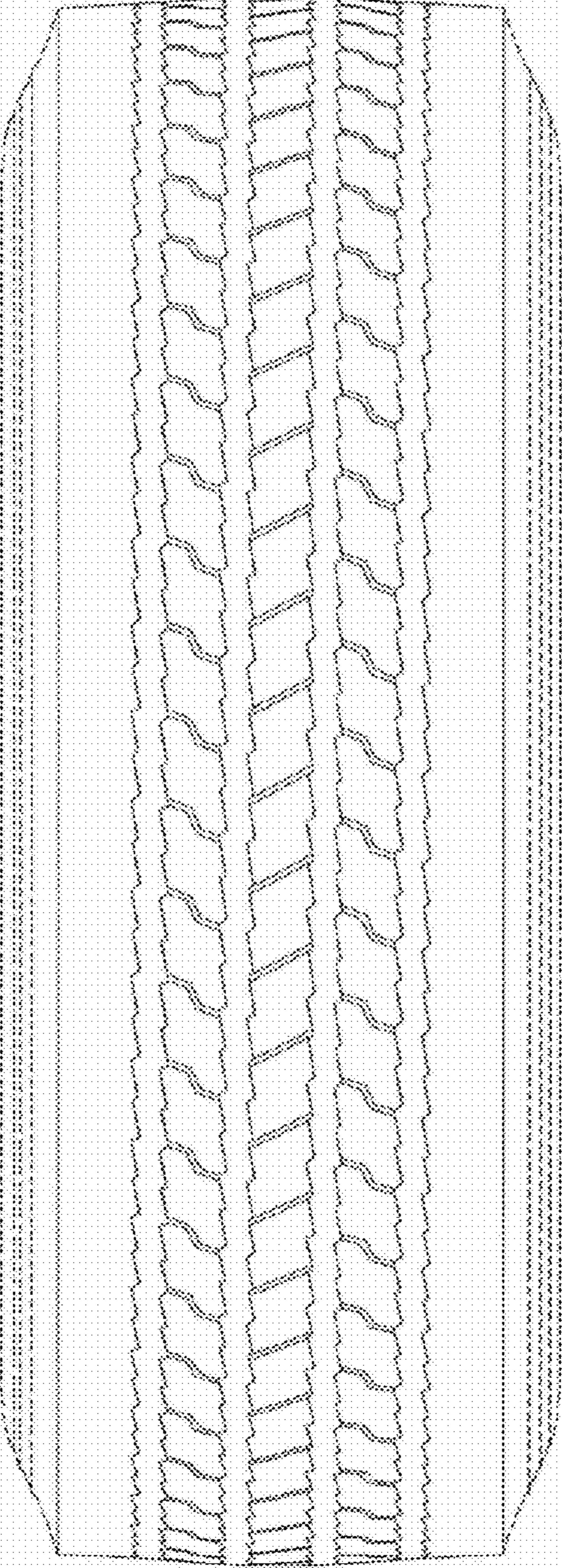


FIG. 4

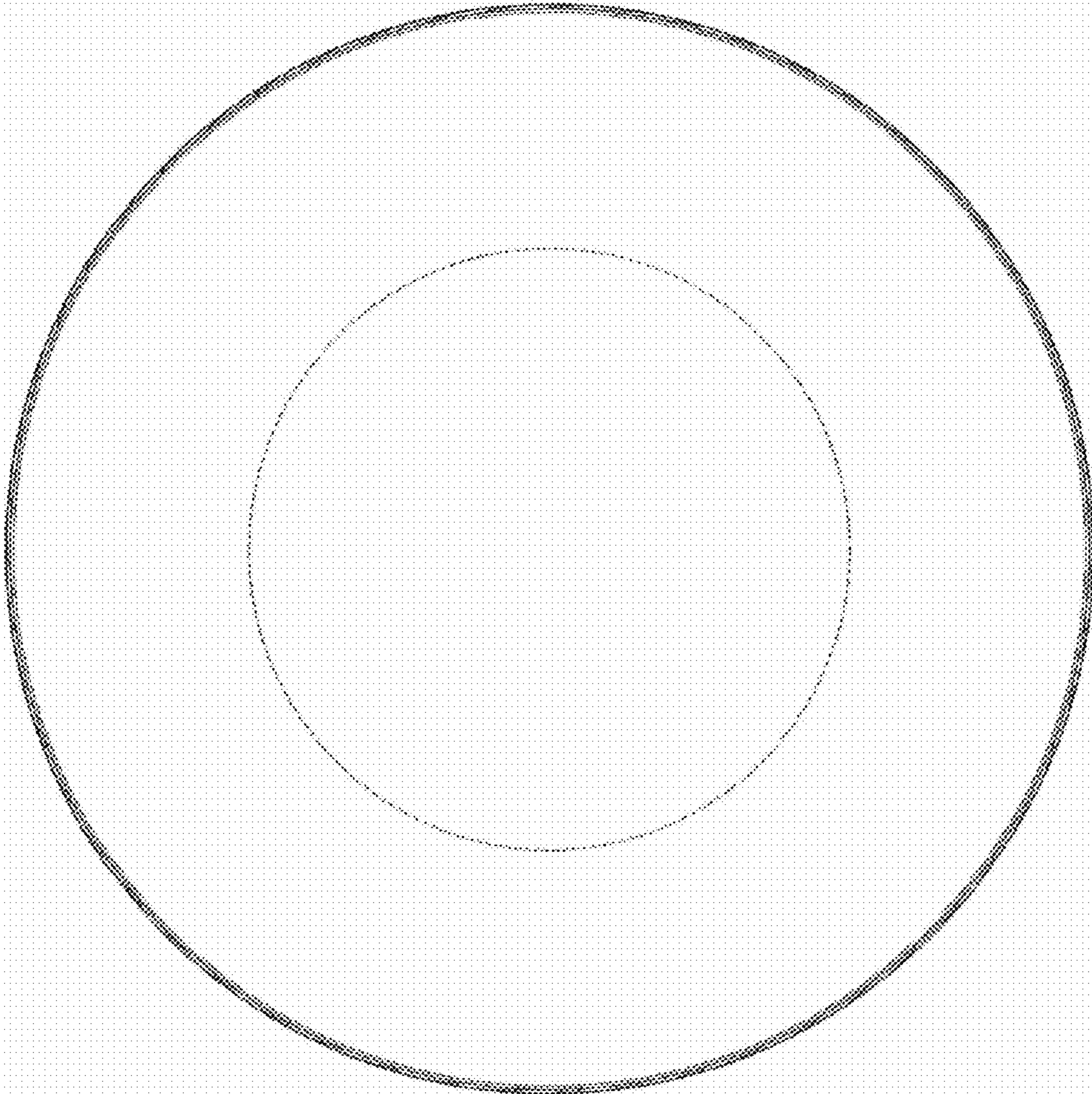


FIG. 5

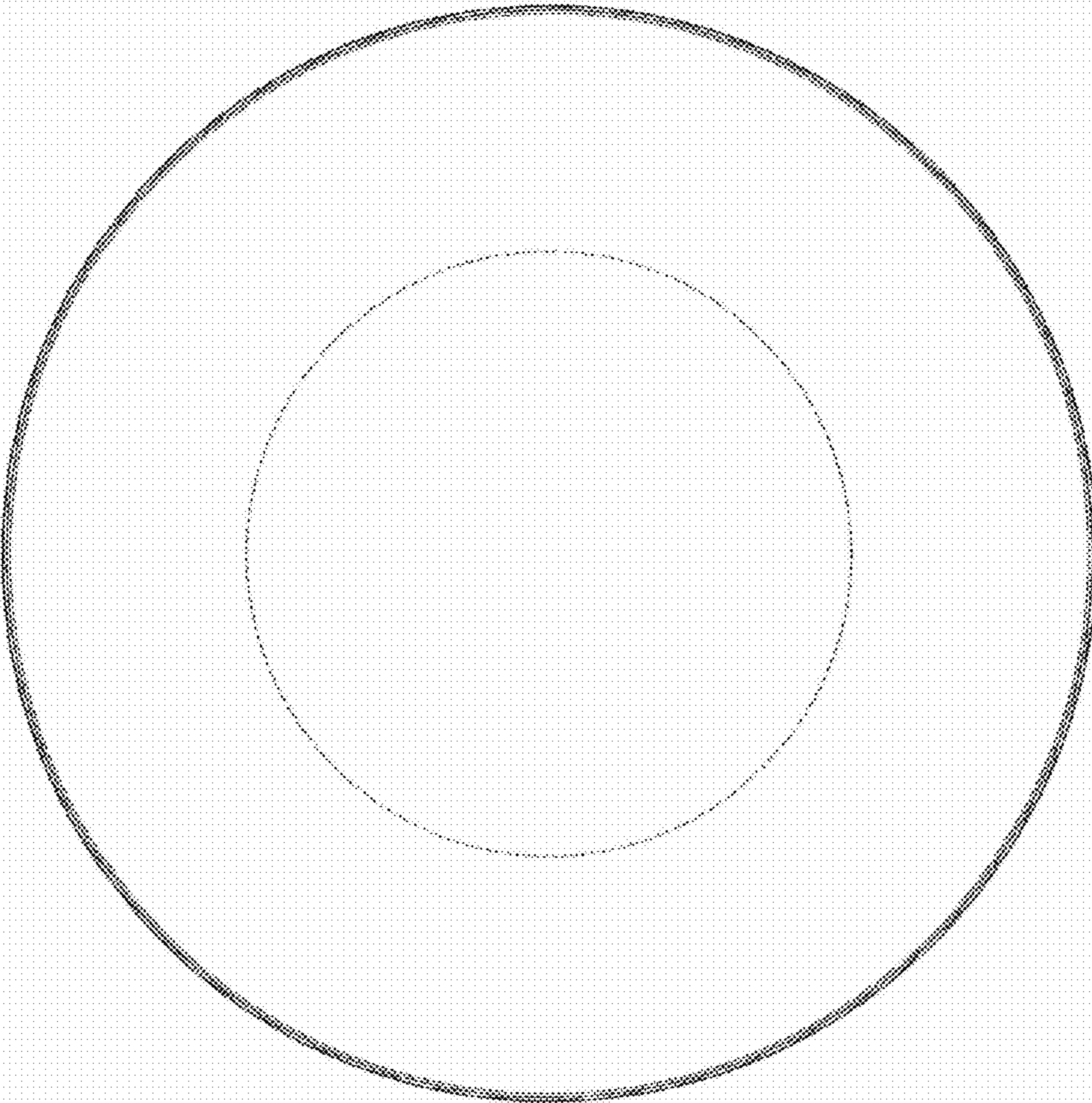


FIG. 6

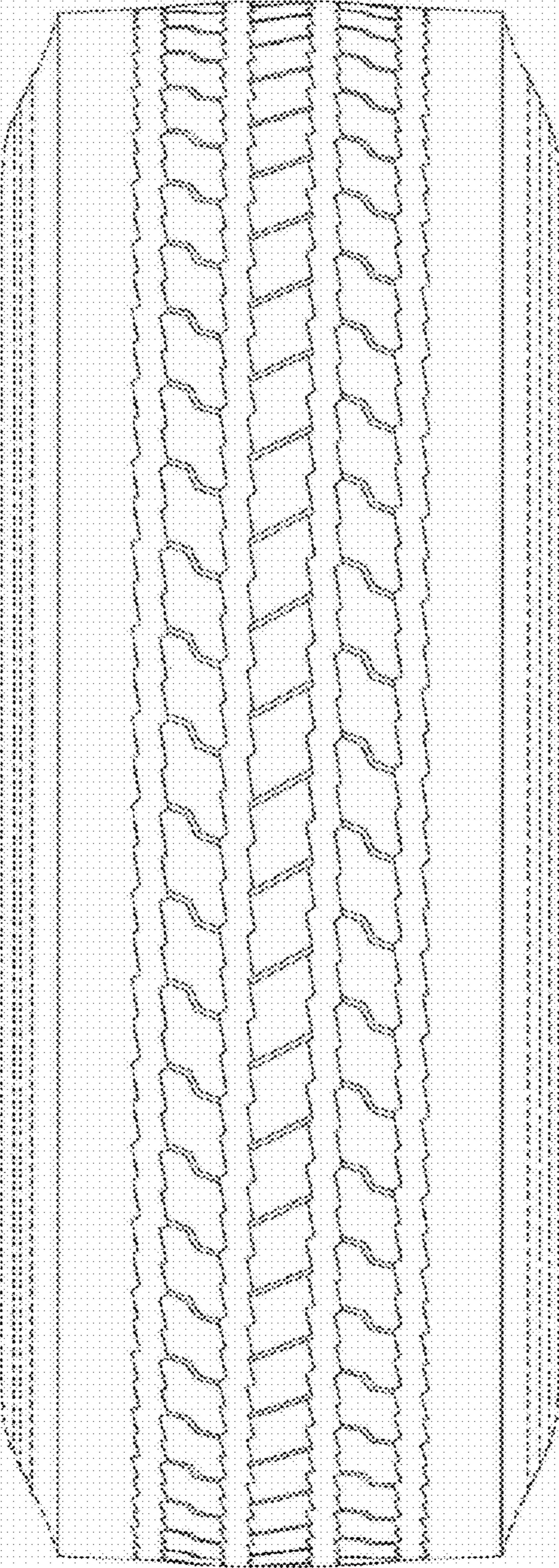


FIG. 7

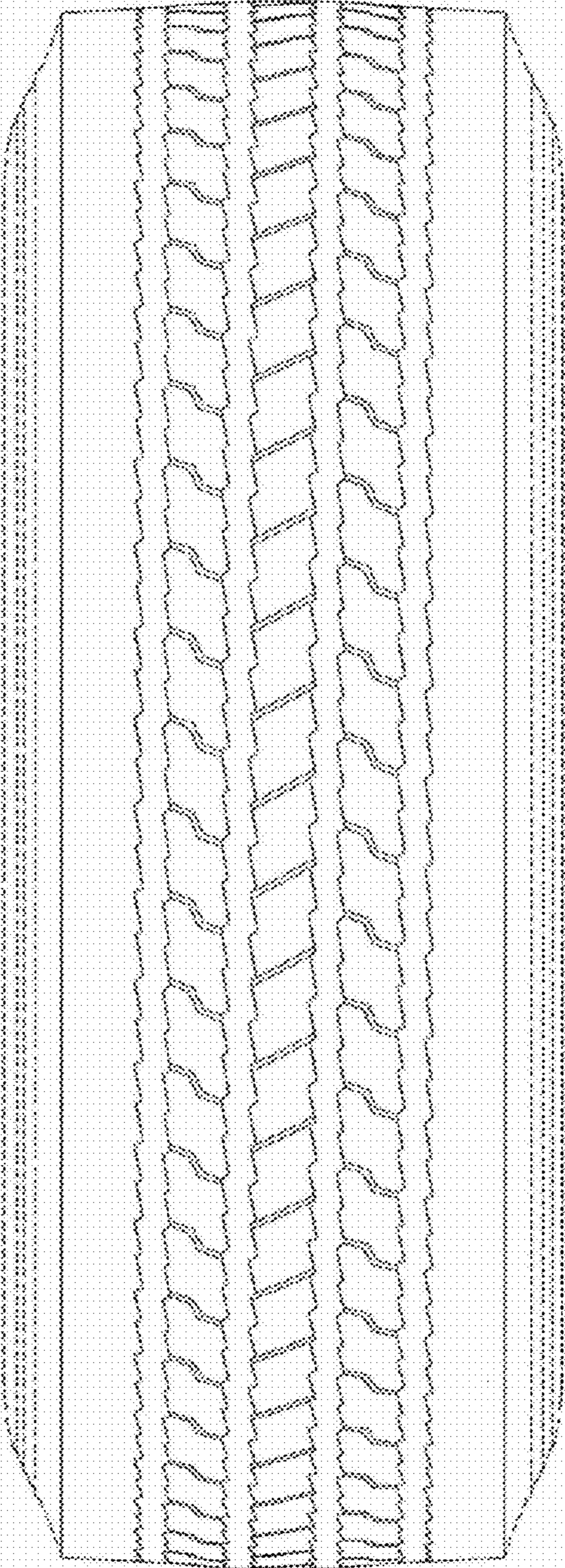


FIG. 8

