



US00D746215S

(12) **United States Design Patent**  
**Leavitt**

(10) **Patent No.:** **US D746,215 S**  
(45) **Date of Patent:** **\*\* Dec. 29, 2015**

- (54) **VEHICLE PLOW MOUNT COVER**
- (71) Applicant: **Robert N. Leavitt**, Atkinson, NH (US)
- (72) Inventor: **Robert N. Leavitt**, Atkinson, NH (US)
- (\*\*) Term: **14 Years**
- (21) Appl. No.: **29/461,197**
- (22) Filed: **Jul. 19, 2013**
- (51) **LOC (10) Cl.** ..... **12-16**
- (52) **U.S. Cl.**  
USPC ..... **D12/401**
- (58) **Field of Classification Search**  
USPC ..... D15/11, 28; D12/196, 197, 220, 167,  
D12/172, 163, 162, 400, 401; 52/200, 241,  
52/242; D25/125, 126, 26; 37/231, 232,  
37/235, 233, 234, 196; 172/272; D23/260;  
280/500, 511, 506, 507, 495, 770;  
293/122; D8/354, 380; 150/158,  
150/165-167; 160/370.21, 370.22, 370.23;  
296/100.01, 100.02, 100.11-100.18,  
296/136.01, 136.05, 136.06, 136.07, 95.1,  
296/77.1; 135/88.01, 95  
CPC E01H 5/061; B29C 70/443; B29K 2105/089;  
B60D 1/605; B60D 1/60  
See application file for complete search history.

(56) **References Cited**

**U.S. PATENT DOCUMENTS**

3,447,826	A *	6/1969	Gostomski	293/114
3,578,358	A *	5/1971	Reynolds	280/500
3,629,984	A *	12/1971	Richardson	52/241
3,774,952	A	11/1973	Zorn	
3,828,449	A *	8/1974	Miceli	37/283
D233,663	S *	11/1974	Facer et al.	D25/126
3,863,956	A *	2/1975	Khan	280/483
3,912,295	A	10/1975	Eggert, Jr.	
4,275,899	A *	6/1981	Humphrey	280/491.3
4,663,922	A *	5/1987	Anderson et al.	56/15.6
4,817,307	A *	4/1989	Hardgrove	37/197
4,852,902	A *	8/1989	Young et al.	280/507

4,907,357	A	3/1990	Lilienthal	
5,014,451	A *	5/1991	Bandzul	37/231
5,036,608	A *	8/1991	Ciula	37/236
5,046,271	A	9/1991	Daniels	
5,075,988	A *	12/1991	Ciula	37/231
5,094,469	A *	3/1992	Yamamoto et al.	280/500
5,108,138	A *	4/1992	Kawaguchi	293/120
5,265,355	A	11/1993	Daniels	
D349,083	S *	7/1994	Hall	D12/162
D365,573	S	12/1995	Westimayer et al.	
5,497,569	A *	3/1996	Byman	37/410
5,560,631	A *	10/1996	Salvo	280/507
5,628,536	A	5/1997	Fulkerson	
5,819,443	A *	10/1998	Winter	37/233
5,853,187	A	12/1998	Maier	
5,934,699	A	8/1999	Blake	

(Continued)

*Primary Examiner* — Cynthia Ramirez

(74) *Attorney, Agent, or Firm* — Hamilton, Brook, Smith & Reynolds, P.C.

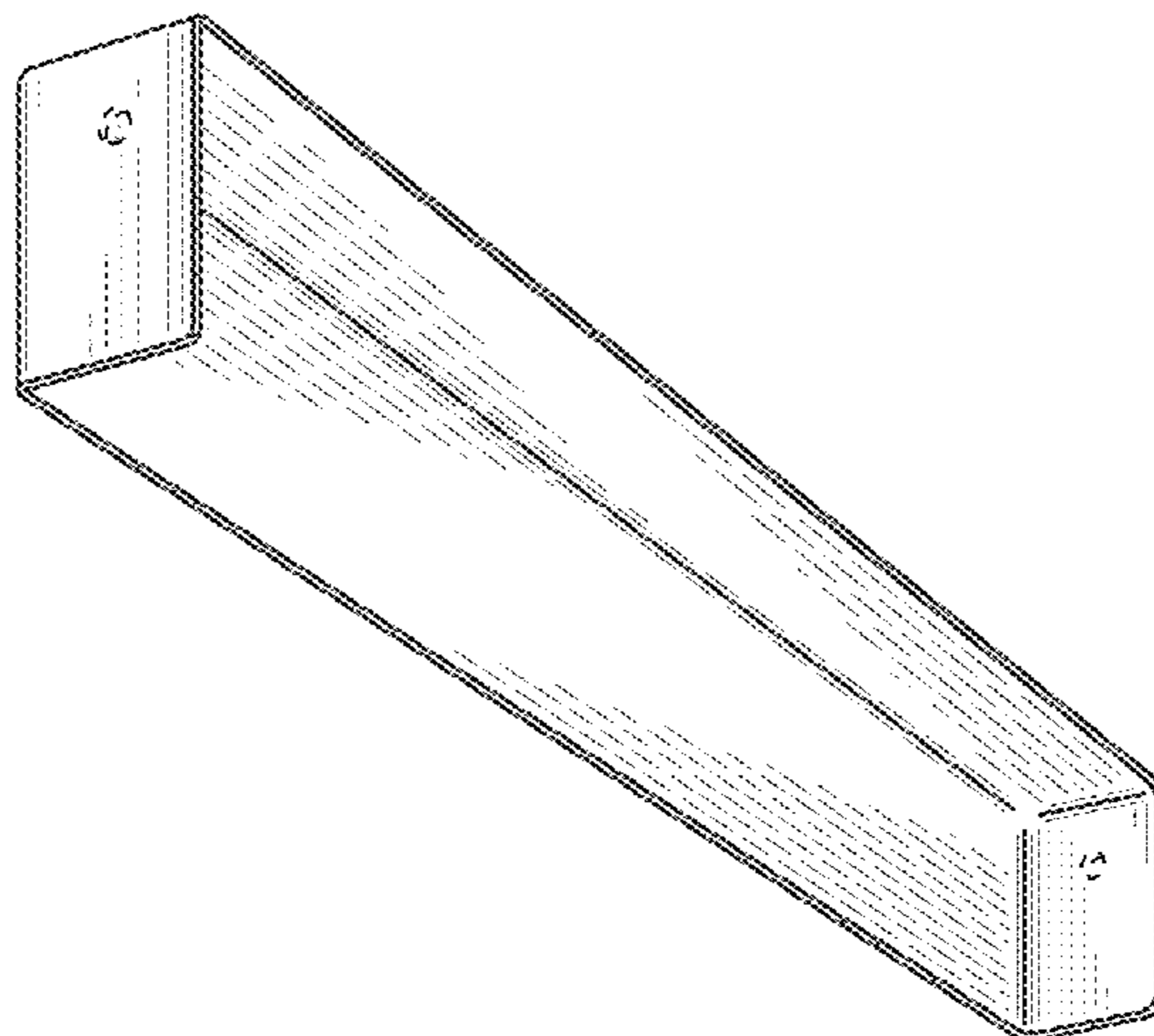
(57) **CLAIM**

The ornamental design for a vehicle plow mount cover, as shown and described.

**DESCRIPTION**

FIG. 1 is a front perspective view of a vehicle plow mount cover showing my new design;  
 FIG. 2 is a front view thereof;  
 FIG. 3 is a top view thereof;  
 FIG. 4 is a back view;  
 FIG. 5 is a left side view;  
 FIG. 6 is a right side view thereof;  
 FIG. 7 is a bottom view thereof;  
 FIG. 8 is a bottom, rear perspective view, showing a portion of the vehicle plow mount cover;  
 FIG. 9 is a right side perspective view thereof;  
 FIG. 10 is a top perspective view thereof; and,  
 FIG. 11 is a right side, rear perspective view thereof.  
 The broken lines shown in FIGS. 1, 8, 9 and 10 are included for the purpose of illustrating environment and form no part of the claimed design.

**1 Claim, 4 Drawing Sheets**



(56)

References Cited

U.S. PATENT DOCUMENTS

6,095,546 A \* 8/2000 Austin ..... 280/507  
 6,149,181 A \* 11/2000 Biederman ..... 280/491.1  
 6,179,320 B1 \* 1/2001 Chou et al. .... 280/500  
 6,189,910 B1 \* 2/2001 Bartel ..... 280/491.2  
 D464,302 S \* 10/2002 Snook et al. .... D12/196  
 D464,919 S \* 10/2002 Pichan ..... D12/162  
 D468,674 S 1/2003 Laster et al.  
 D474,726 S 5/2003 Weber et al.  
 6,581,952 B1 \* 6/2003 MacKarvich ..... 280/457  
 D478,935 S \* 8/2003 Gearhart et al. .... D20/10  
 6,874,260 B2 4/2005 Mullett  
 6,969,085 B2 \* 11/2005 Causey, Jr. .... 280/507  
 D526,887 S \* 8/2006 Remmers et al. .... D8/373  
 D538,217 S \* 3/2007 Colussi et al. .... D12/213  
 D579,875 S 11/2008 Gershfeld  
 D581,361 S 11/2008 Gershfeld  
 D618,598 S \* 6/2010 Edwards ..... D12/162

7,818,903 B2 \* 10/2010 Elliot ..... 37/468  
 D642,987 S 8/2011 Sculler et al.  
 8,047,601 B2 11/2011 Malina et al.  
 8,075,041 B2 \* 12/2011 Diniz ..... 296/100.01  
 8,091,913 B1 \* 1/2012 White ..... 280/468  
 D696,206 S \* 12/2013 Woodlief ..... D13/155  
 D705,704 S \* 5/2014 Lane ..... D12/162  
 D709,629 S \* 7/2014 Rice ..... D25/125  
 D723,434 S \* 3/2015 McNeil ..... D12/167  
 2002/0041078 A1 \* 4/2002 Aquinto et al. .... 280/500  
 2002/0113408 A1 \* 8/2002 Braun et al. .... 280/500  
 2005/0275194 A1 \* 12/2005 Wegener ..... 280/500  
 2007/0144089 A1 \* 6/2007 Vaes ..... 52/241  
 2007/0214736 A1 \* 9/2007 Frederick ..... 52/293.1  
 2008/0116701 A1 \* 5/2008 Boumaza et al. .... 293/120  
 2009/0307937 A1 \* 12/2009 Koch et al. .... 37/231  
 2010/0044999 A1 \* 2/2010 Columbia ..... 280/511  
 2013/0175787 A1 \* 7/2013 L'Heureux et al. .... 280/507  
 2014/0015225 A1 \* 1/2014 Corless et al. .... 280/507  
 2014/0123523 A1 \* 5/2014 Seeley ..... 37/231

\* cited by examiner

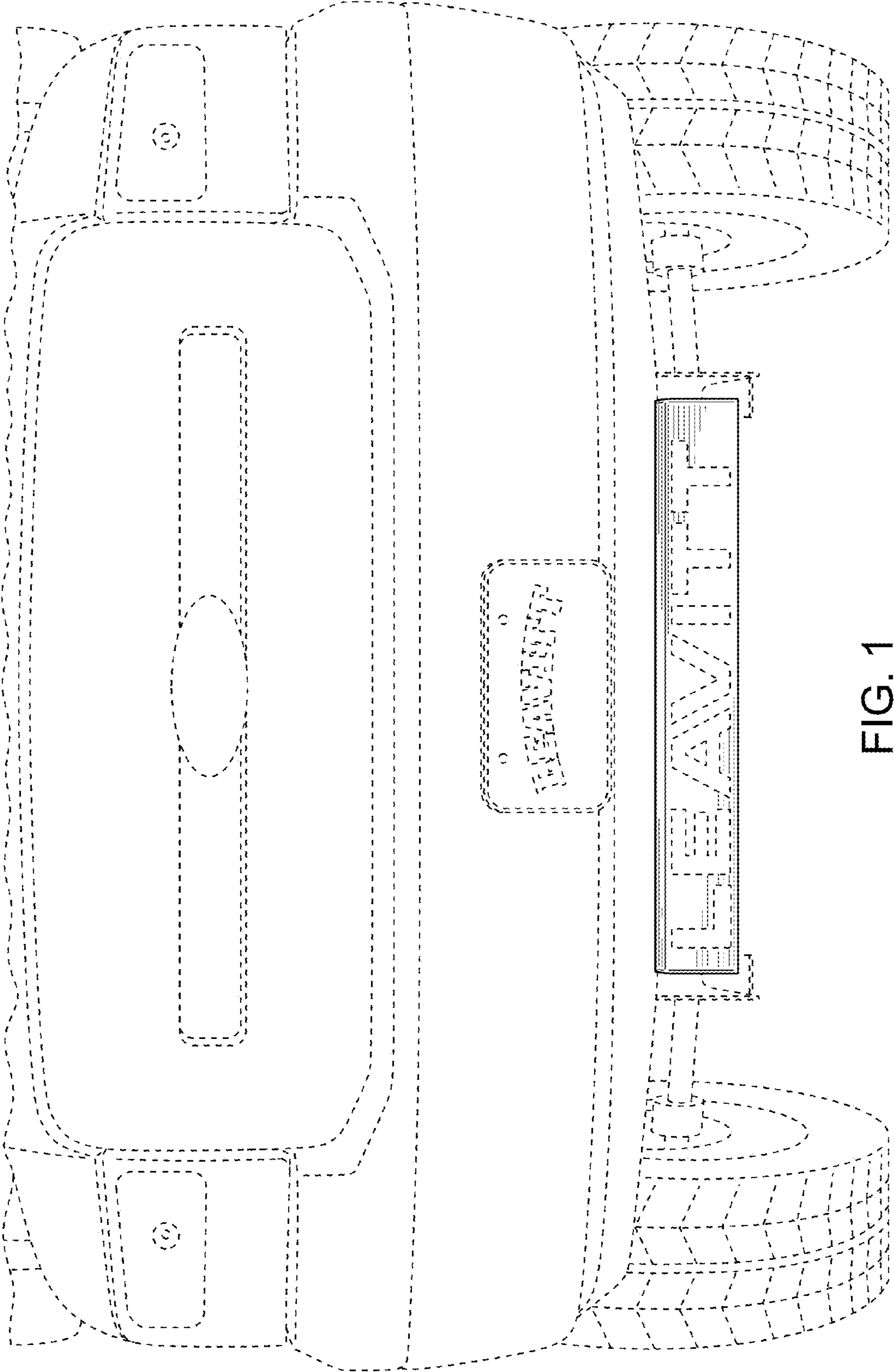


FIG. 1

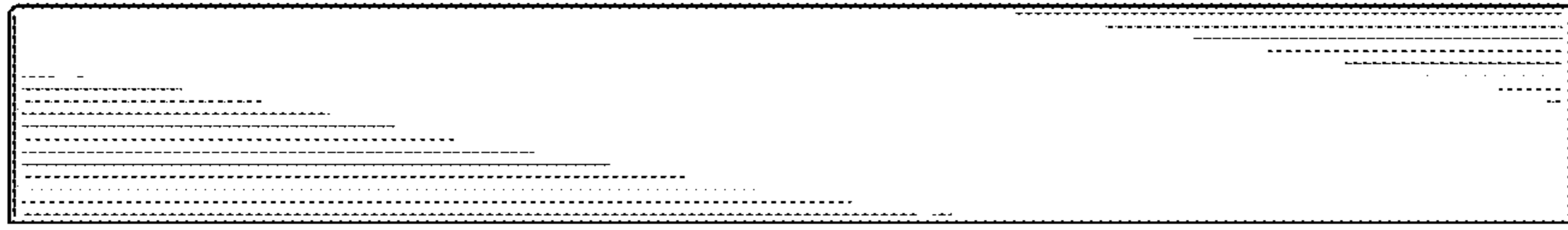


FIG. 2



FIG. 3

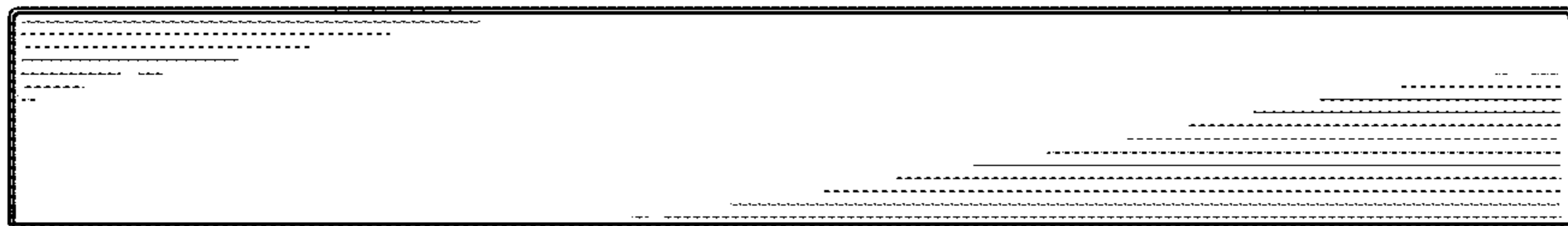


FIG. 4

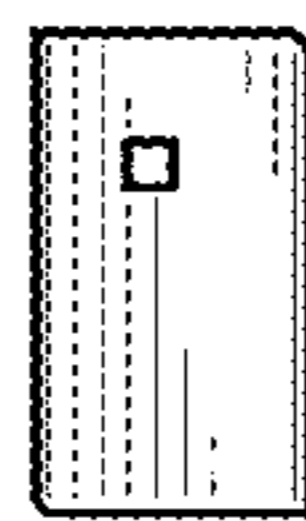


FIG. 5

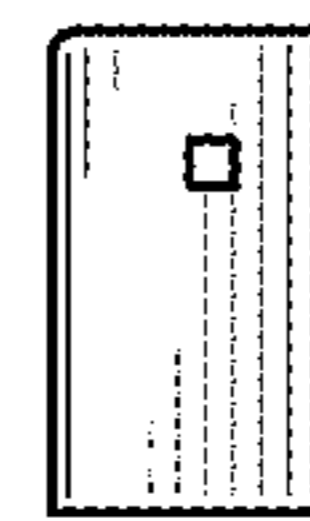


FIG. 6



FIG. 7

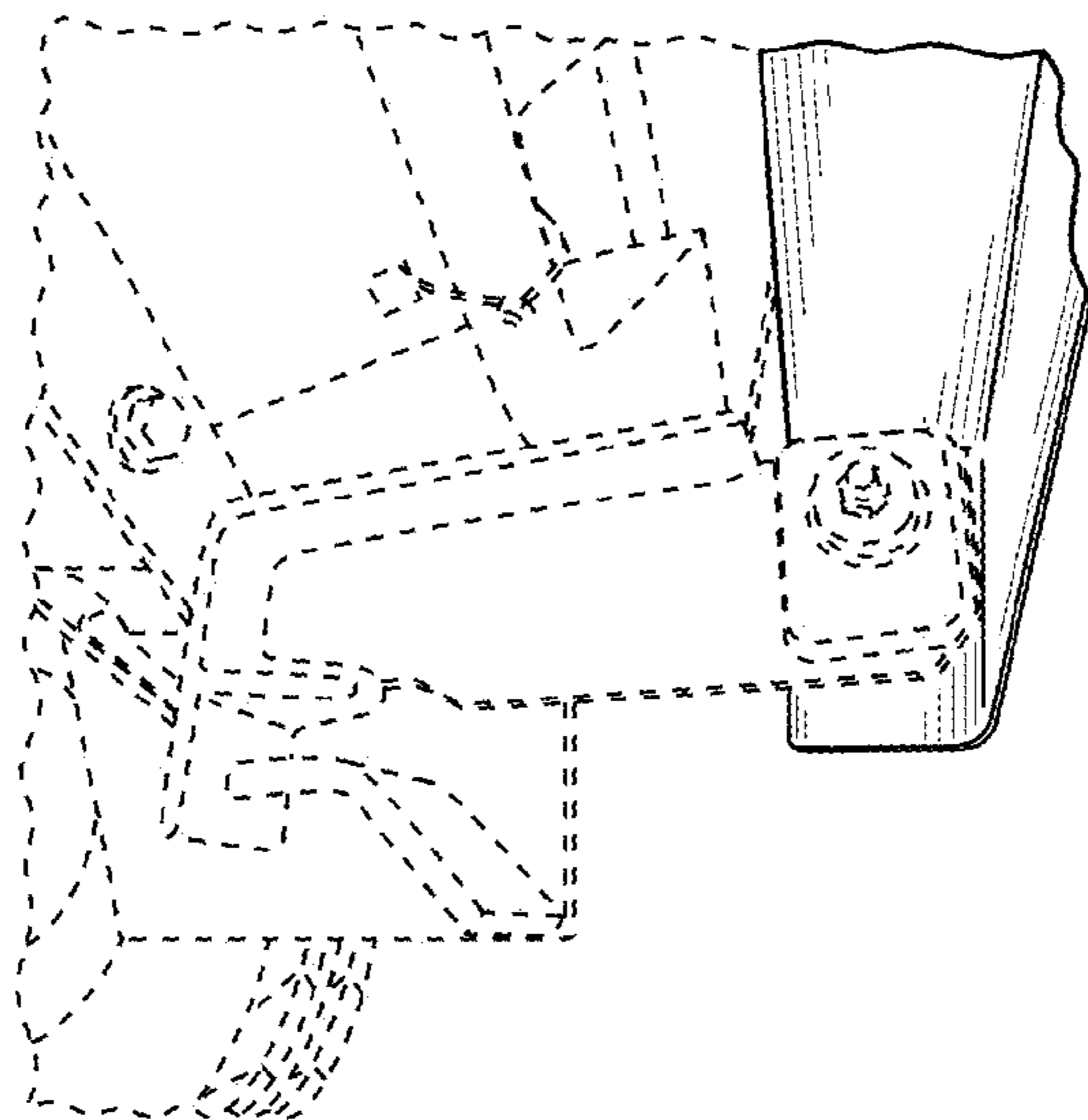


FIG. 8

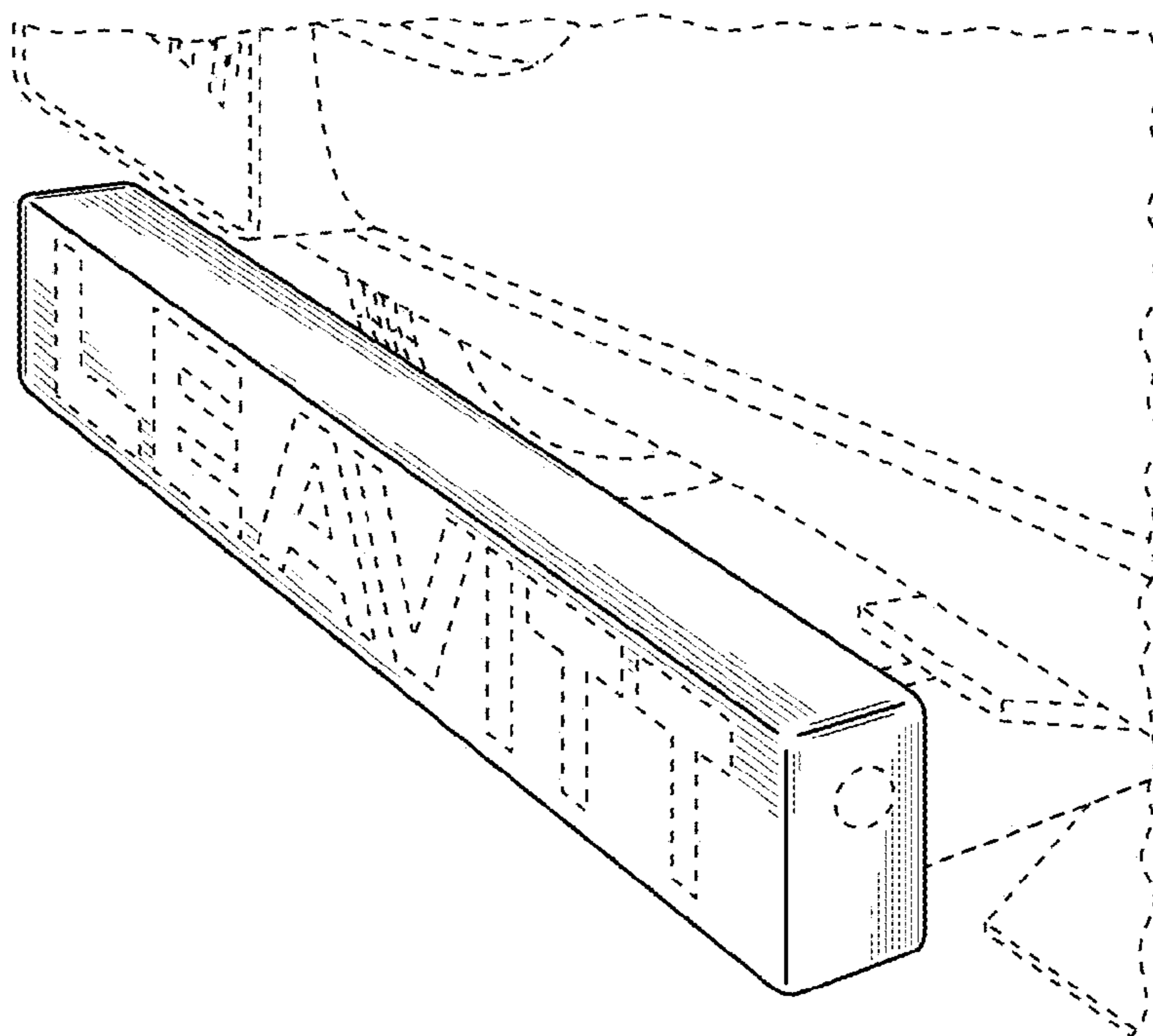


FIG. 9

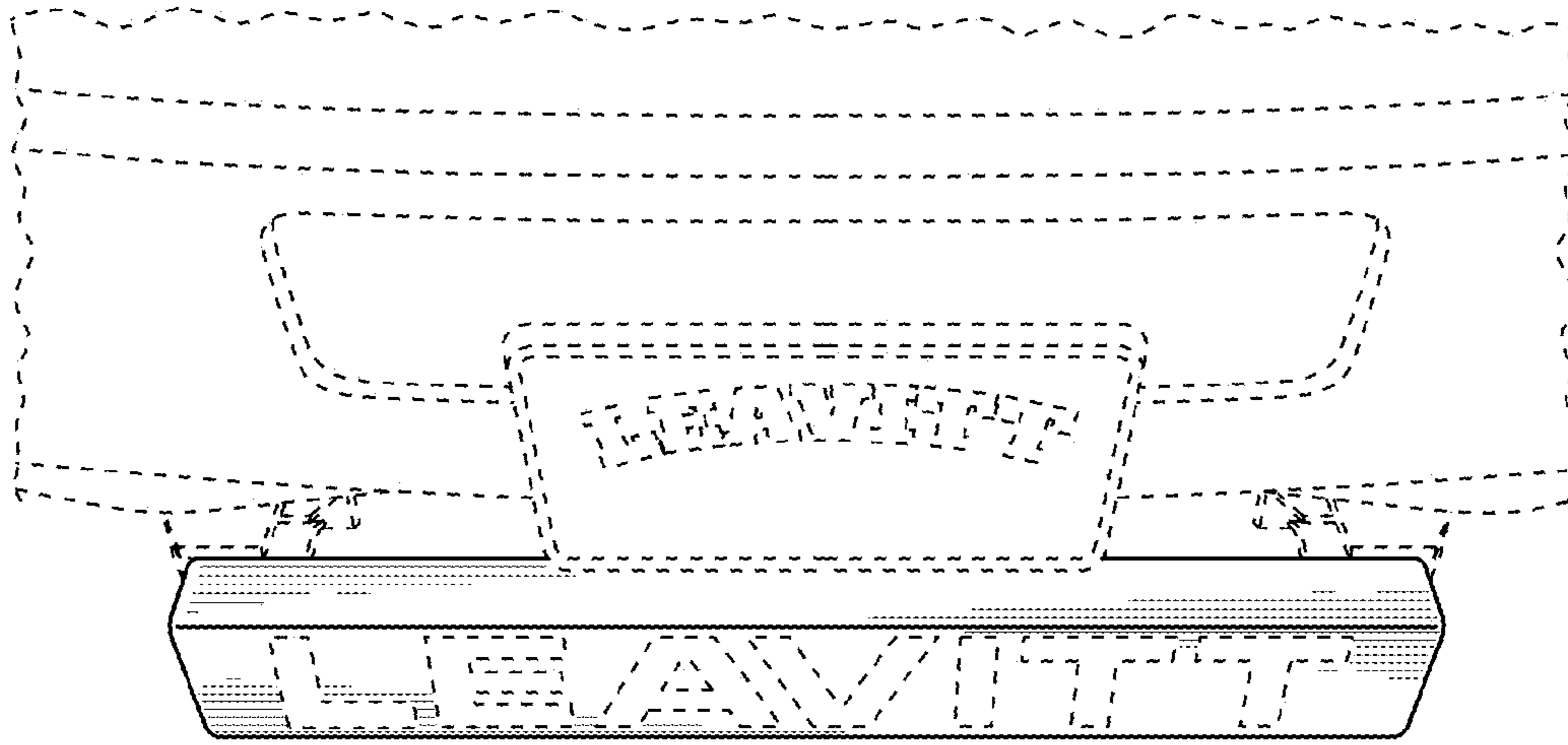


FIG. 10

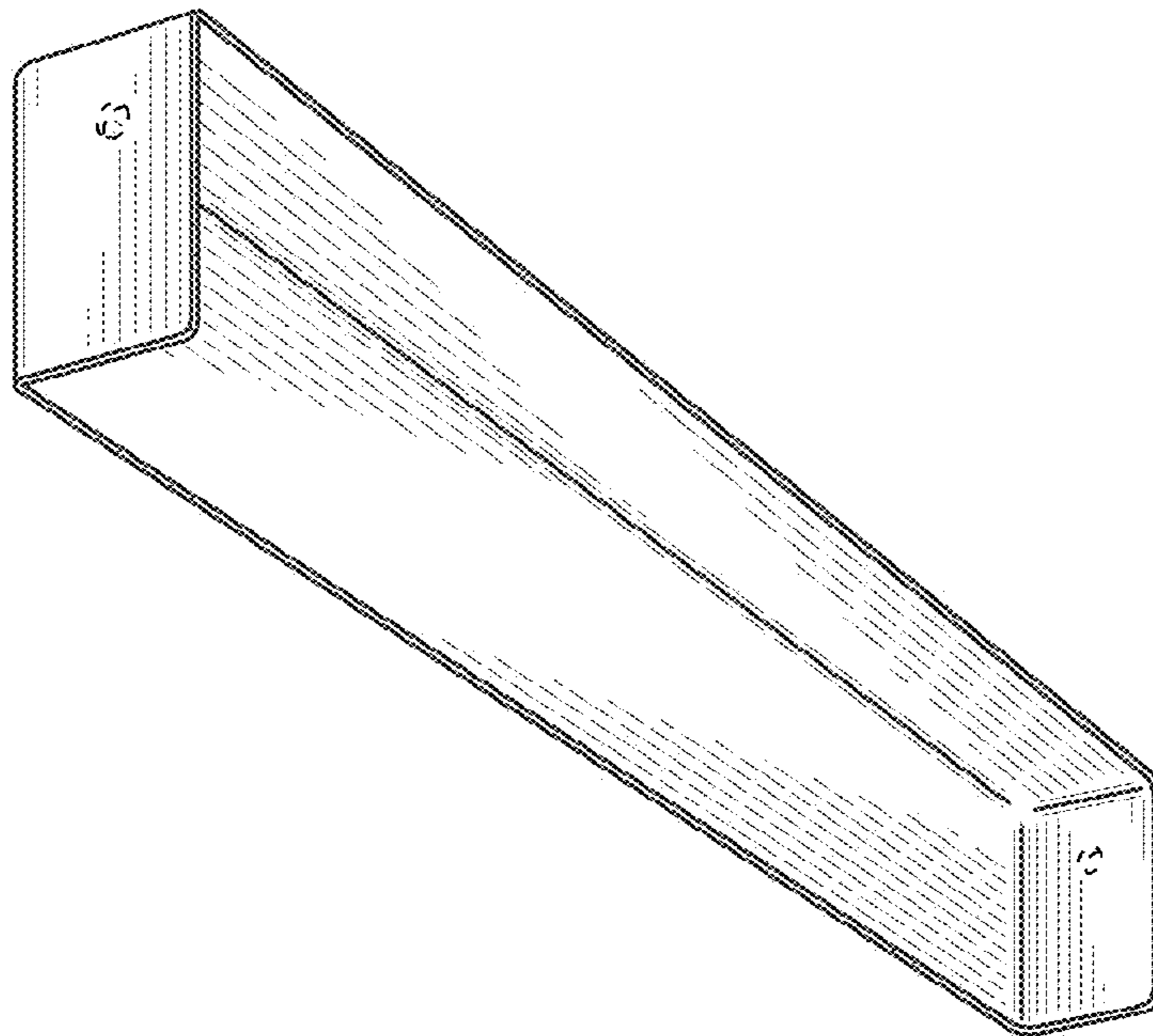


FIG. 11