

US00D746213S

(12) **United States Design Patent**
Castanha et al.

(10) **Patent No.:** **US D746,213 S**

(45) **Date of Patent:** **** Dec. 29, 2015**

(54) **AIRCRAFT INTERIOR PERSONAL STOWAGE UNIT**

(71) Applicant: **EMBRAER S.A.**, Sao Jose dos Campos (BR)

(72) Inventors: **Bruno Kimura Castanha**, Sao Jose dos Campos (BR); **Jay Beever**, Melbourne, FL (US); **Fernando Henrique Da Silva**, Sao Jose dos Campos (BR); **Oliver Turci De Camargo**, Sao Jose dos Campos (BR); **Joshua Rea**, Melbourne, FL (US); **Rainer Zierer**, Melbourne, FL (US)

(73) Assignee: **EMBRAER S.A.**, São José dos Campos—SP (BR)

(**) Term: **14 Years**

(21) Appl. No.: **29/455,141**

(22) Filed: **May 17, 2013**

(51) **LOC (10) Cl.** **12-07**

(52) **U.S. Cl.**
USPC **D12/345**; D12/415

(58) **Field of Classification Search**
USPC D12/345, 415, 421, 423, 424, 425;
D6/441; 297/188.01, 188.09, 188.14,
297/188.19, 188.2, 160, 161; 244/117 R,
244/118.1, 118.5, 118.6, 119
CPC B60R 7/00; B60R 7/02; B60R 7/04;
B60R 7/043; B64D 11/00; B64D 11/003
See application file for complete search history.

(56) **References Cited**

U.S. PATENT DOCUMENTS

D191,356 S * 9/1961 Krone D12/421
D273,150 S * 3/1984 Benson D12/425

4,685,729 A * 8/1987 Heesch et al. 297/188.09
D295,042 S * 4/1988 Steventon et al. D14/126
D339,934 S * 10/1993 Reuter D6/441
D391,223 S * 2/1998 Lucas, Jr. D12/424
6,264,273 B1 * 7/2001 Waters, Sr. 297/188.14
D471,380 S * 3/2003 King et al. D6/441
D484,454 S * 12/2003 Siegert et al. D12/415
D495,989 S * 9/2004 Kohara D12/424
7,311,354 B2 * 12/2007 Giasson 297/161
D630,159 S * 1/2011 Saint-Jalmes et al. D12/425
D634,698 S * 3/2011 Saint-Jalmes et al. D12/423
D677,213 S * 3/2013 Robinson et al. D12/415
D703,129 S * 4/2014 Gagnon et al. D12/345

* cited by examiner

Primary Examiner — Martie K Holtje

(74) *Attorney, Agent, or Firm* — Nixon & Vanderhye P.C.

(57) **CLAIM**

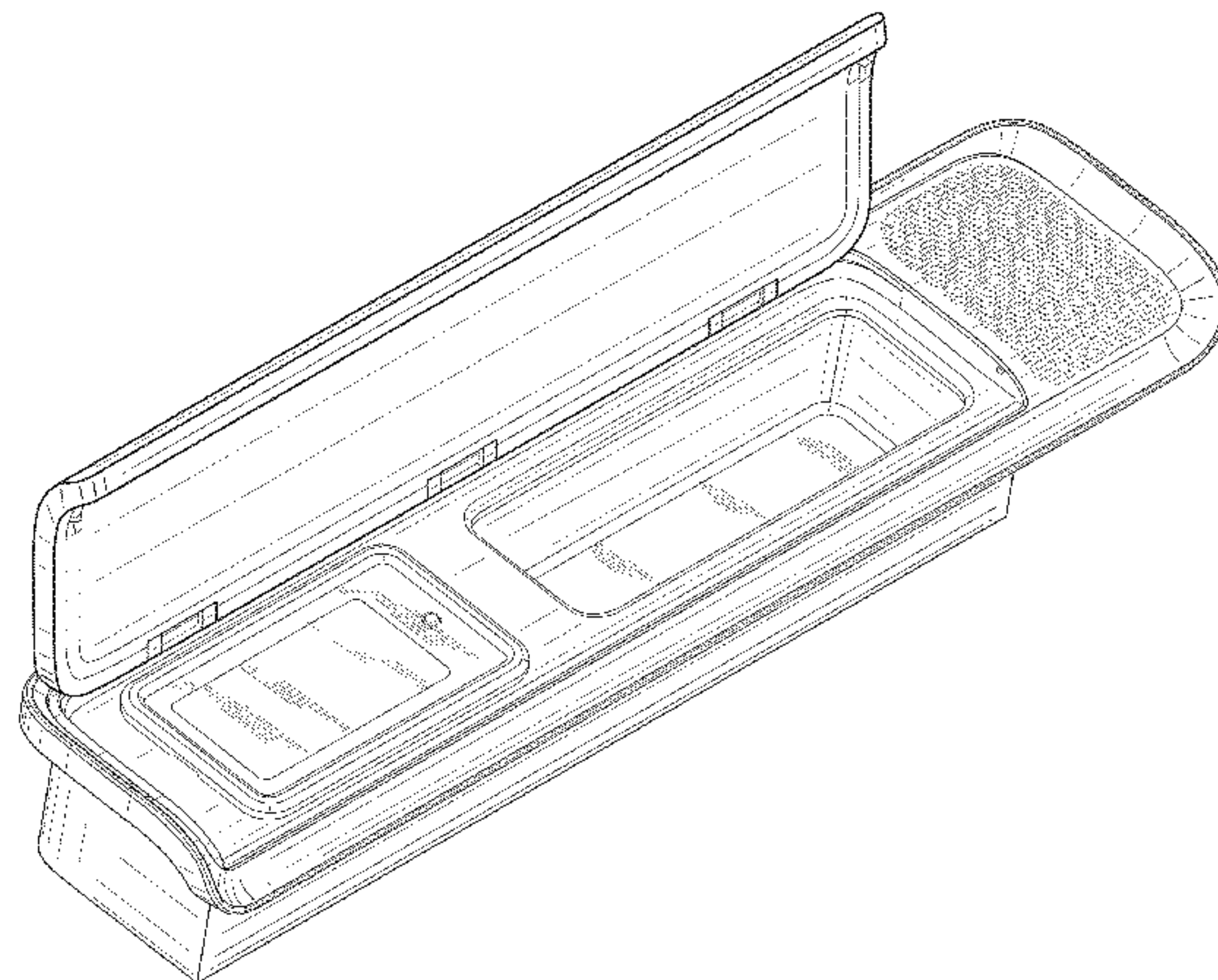
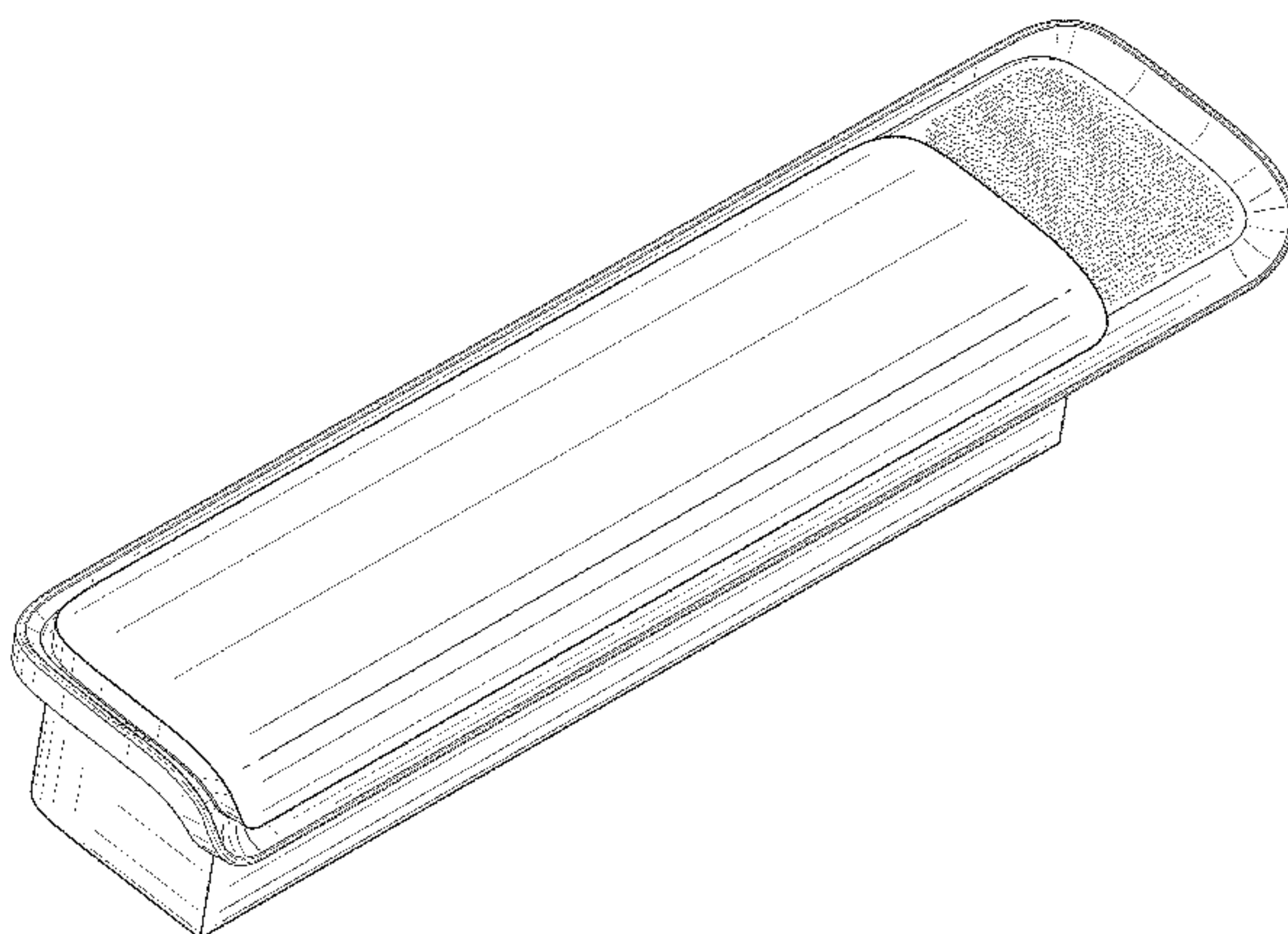
The ornamental design for “aircraft interior personal stowage unit,” as shown and described.

DESCRIPTION

FIG. 1 is a front perspective view of an aircraft interior personal stowage unit showing our new design; FIG. 2 is a front elevational view thereof; FIG. 3 is a rear elevational view thereof; FIG. 4 is a top plan view thereof; FIG. 5 is a bottom plan view thereof; FIG. 6 is a left side elevational view thereof; FIG. 7 is a right side elevational view thereof; and, FIG. 8 is a left front perspective view thereof, with the lid shown in an opened position.

The structural elements depicted by broken lines have been shown for the purpose of illustrating portions of the aircraft interior personal stowage unit that form no part of the claimed design.

1 Claim, 5 Drawing Sheets



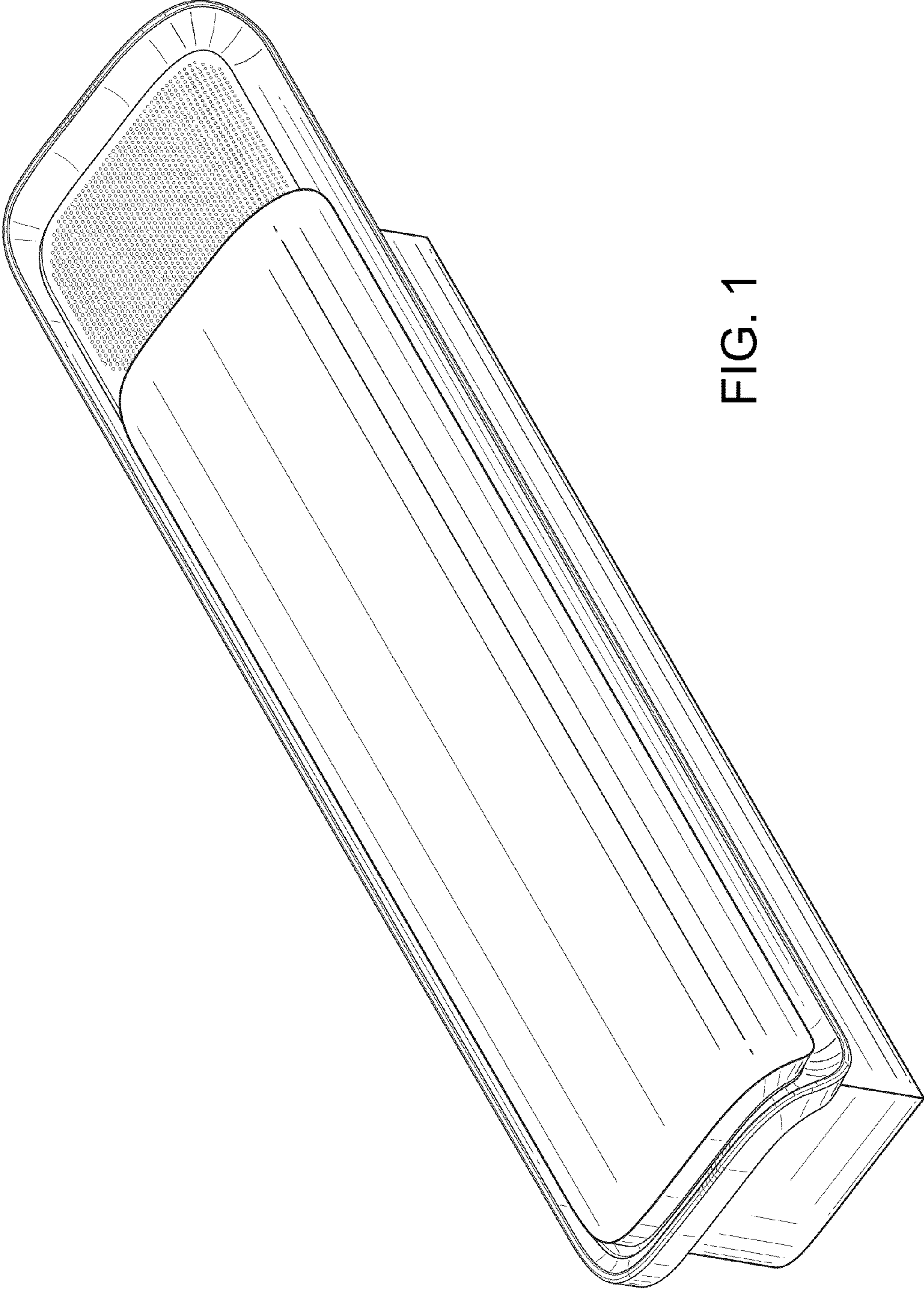


FIG. 1

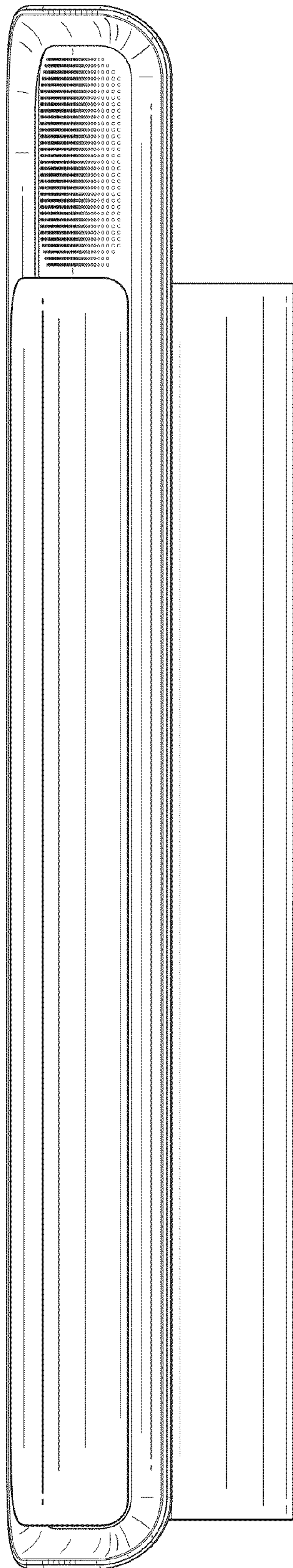


FIG. 2

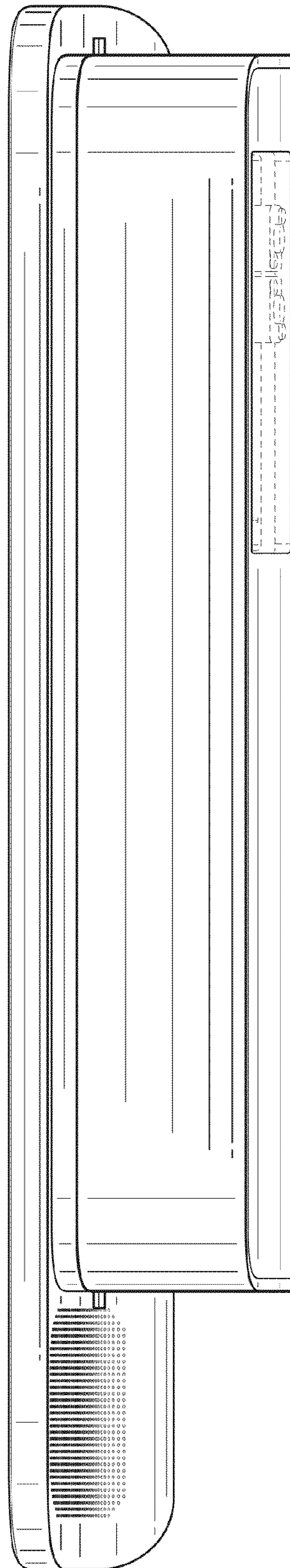


FIG. 3

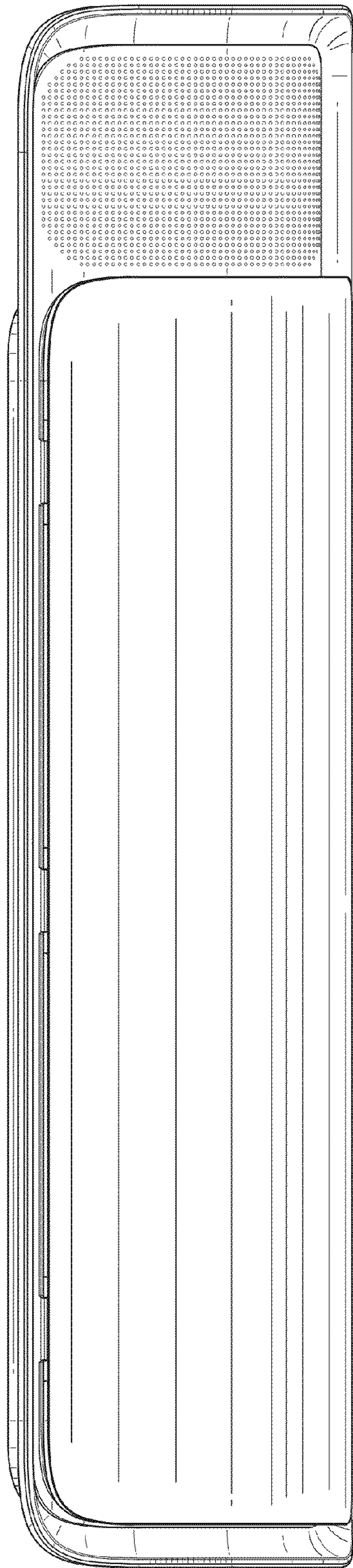


FIG. 4

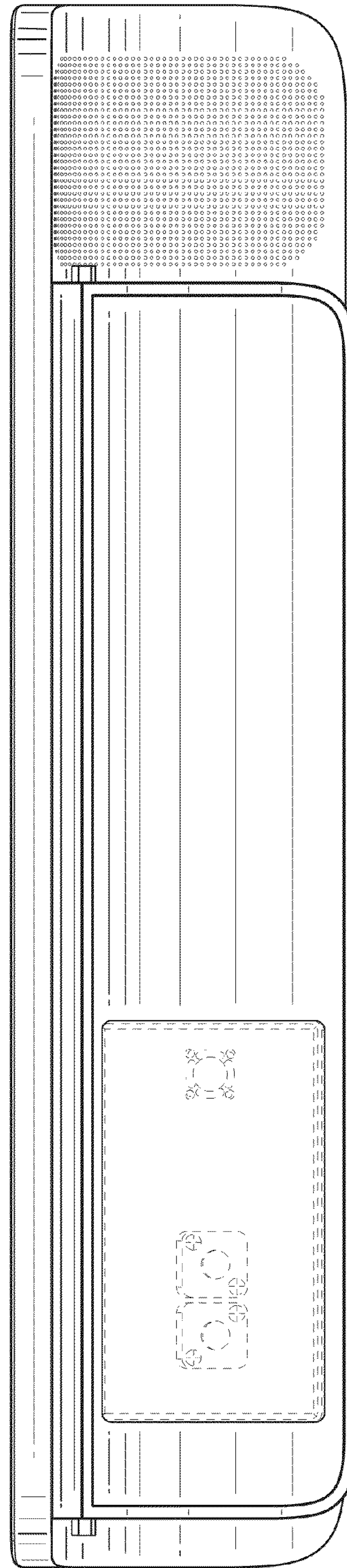


FIG. 5

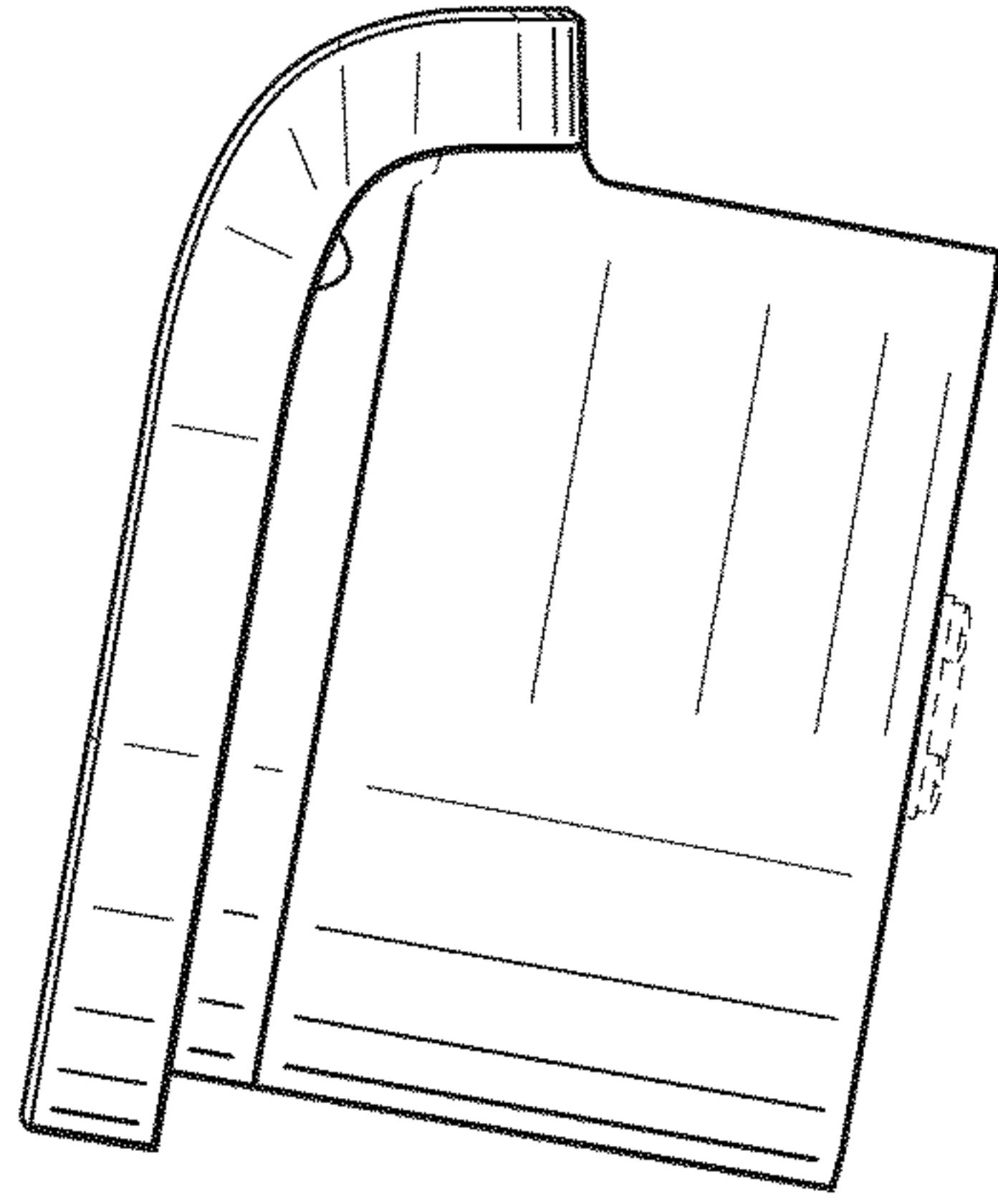


FIG. 7

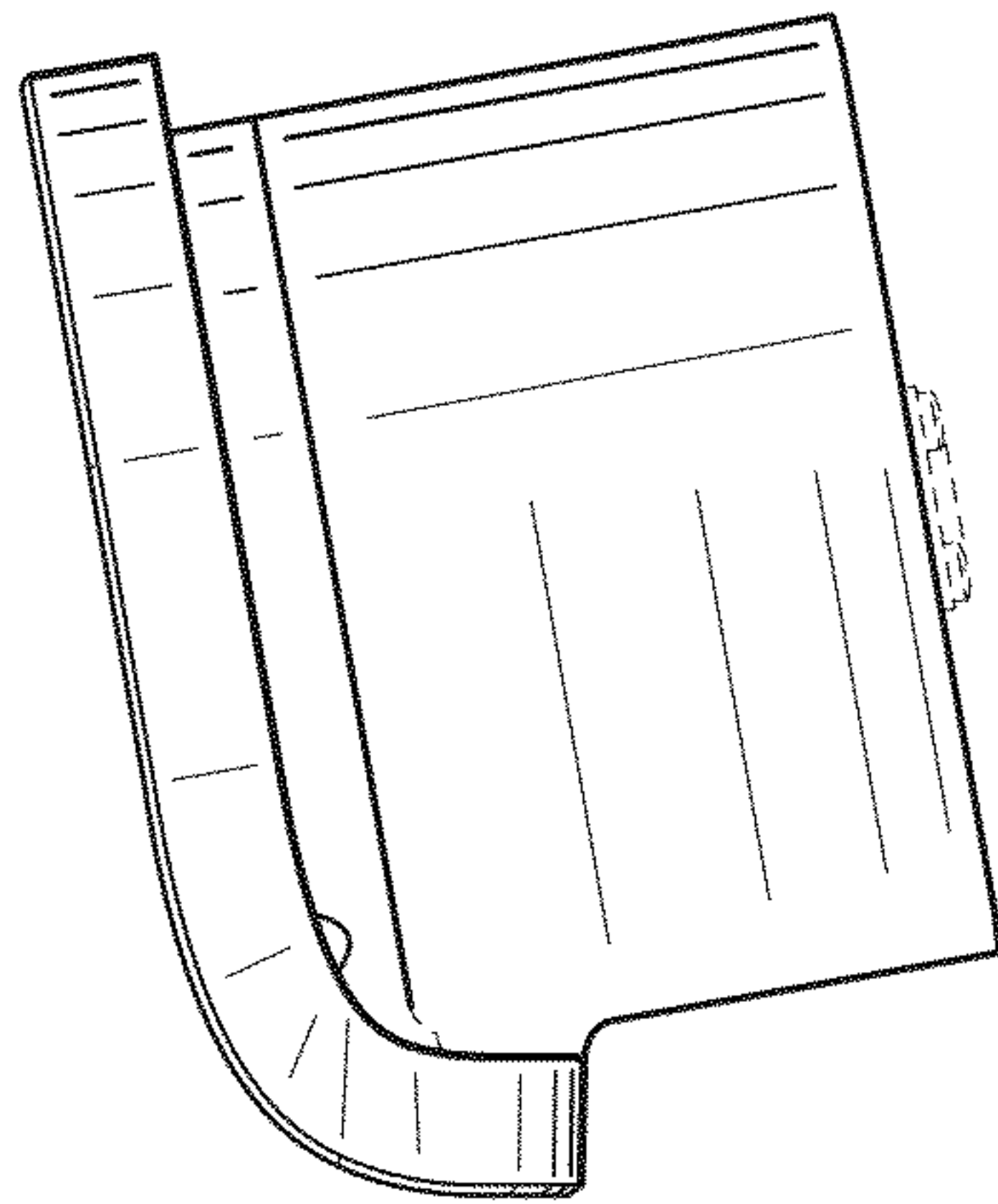


FIG. 6

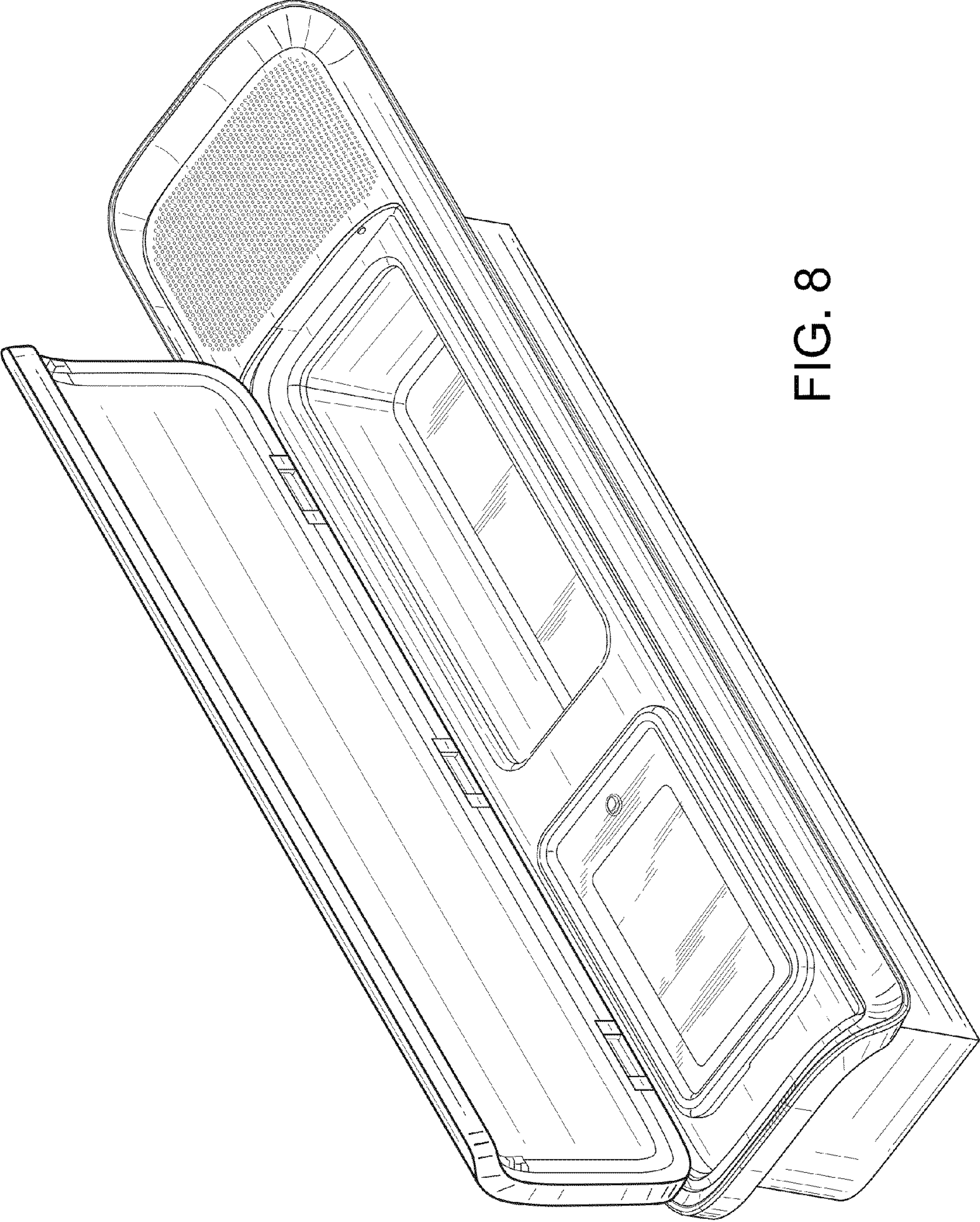


FIG. 8