



US00D746211S

(12) **United States Design Patent**
Carter

(10) **Patent No.:** **US D746,211 S**

(45) **Date of Patent:** **** Dec. 29, 2015**

(54) **WHEEL**

(71) Applicant: **Jaguar Land Rover Limited**, Coventry (GB)

(72) Inventor: **Richard Carter**, Coventry (GB)

(73) Assignee: **Jaguar Land Rover Limited** (GB)

(**) Term: **14 Years**

(21) Appl. No.: **29/470,010**

(22) Filed: **Oct. 16, 2013**

(30) **Foreign Application Priority Data**

Apr. 17, 2013 (EM) 002221945

(51) **LOC (10) Cl.** **12-16**

(52) **U.S. Cl.**
USPC **D12/211**

(58) **Field of Classification Search**
USPC D12/204–213
CPC B60B 7/00; B60B 7/02; B60B 7/04;
B60B 7/01; B60B 7/06; B60B 3/02; B60B
3/04; B60B 3/06; B60B 3/10; B60B 1/00;
B60B 1/08; B60B 1/10; B60B 1/12

See application file for complete search history.

(56) **References Cited**

U.S. PATENT DOCUMENTS

D402,951 S	*	12/1998	Wechner	D12/211
D499,686 S	*	12/2004	Song	D12/211
D522,954 S	*	6/2006	Hueller	D12/211
D526,947 S	*	8/2006	Kim	D12/209
D555,567 S	*	11/2007	Schweizer	D12/211
D628,136 S	*	11/2010	Leclercq	D12/211
D639,224 S	*	6/2011	Szews	D12/211
D687,757 S	*	8/2013	Lemke	D12/211
D697,017 S	*	1/2014	Holstein	D12/211
D715,210 S	*	10/2014	Wolff et al.	D12/211
D720,274 S	*	12/2014	Mielke et al.	D12/211
D723,996 S	*	3/2015	Zhao	D12/211
D726,625 S	*	4/2015	Gallert	D12/211
D727,234 S	*	4/2015	Caswell et al.	D12/211

* cited by examiner

Primary Examiner — Stacia Cadmus

(74) *Attorney, Agent, or Firm* — Fishman Stewart Yamguchi PLLC

(57) **CLAIM**

The ornamental design for a wheel, as shown and described.

DESCRIPTION

FIG. 1 is a front perspective view of a wheel; and, FIG. 2 is a front view of a wheel.

1 Claim, 2 Drawing Sheets

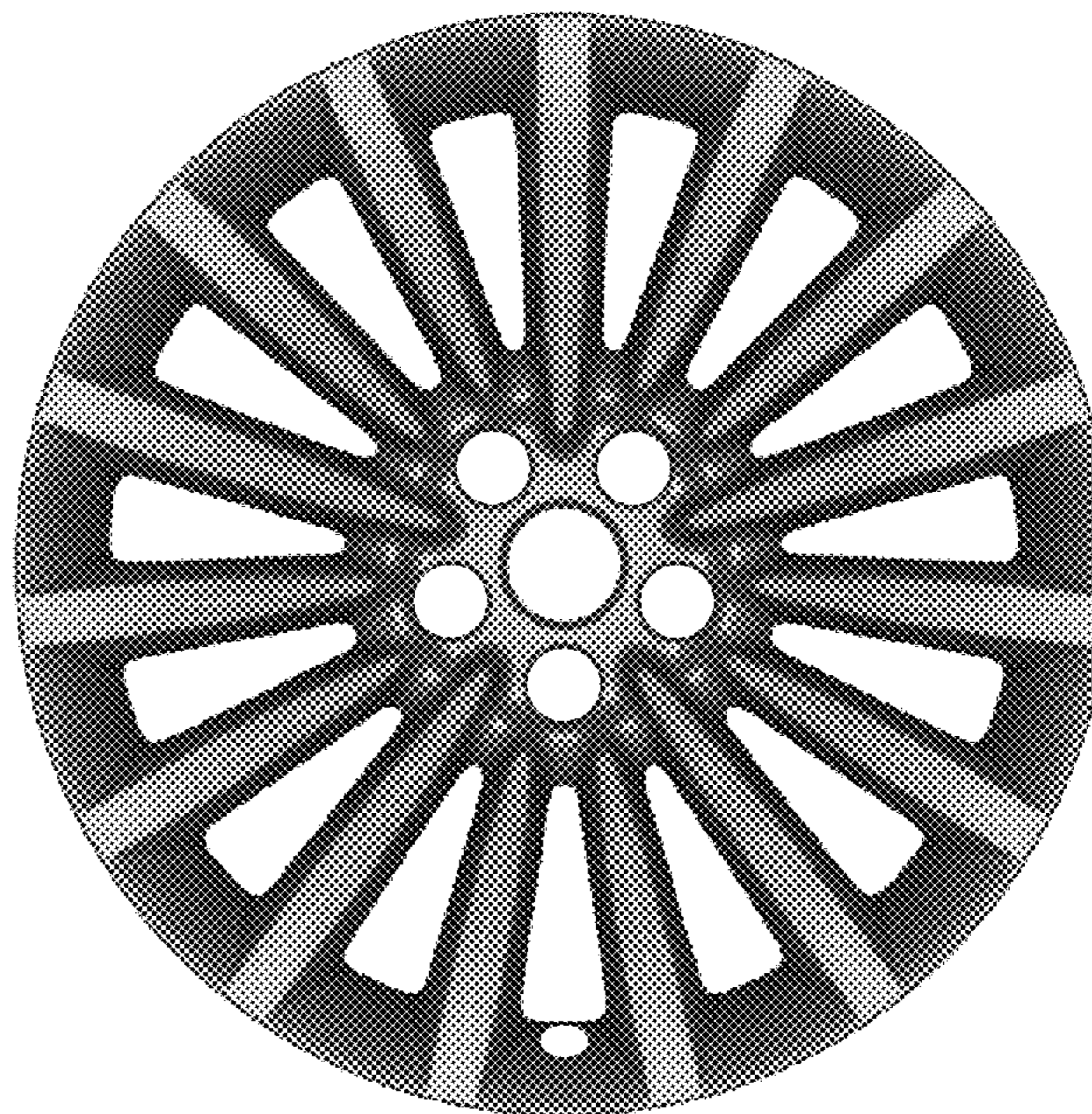
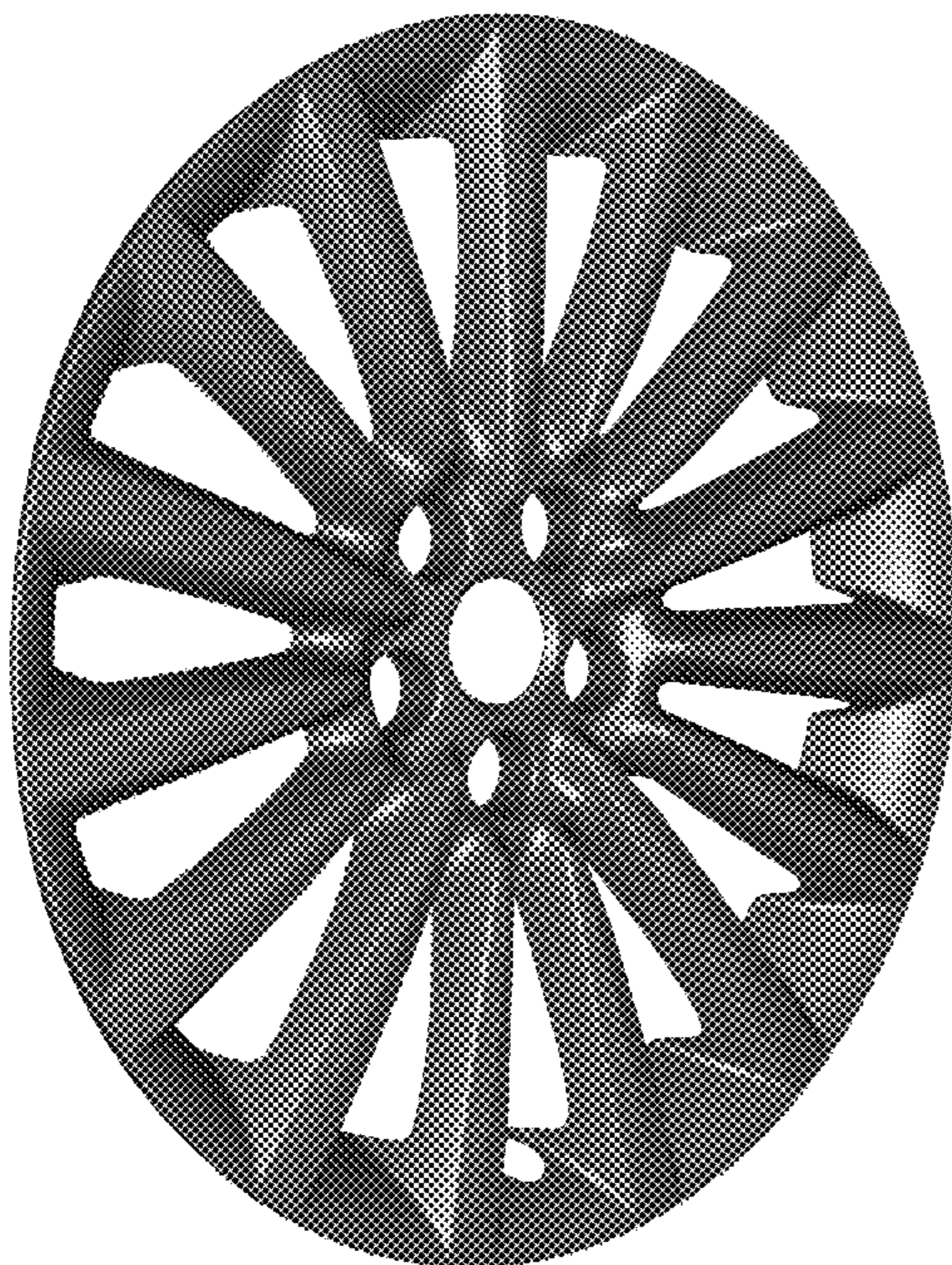




FIG. 1



FIG. 2