



US00D746210S

(12) **United States Design Patent**  
**Dilber et al.**

(10) **Patent No.:** **US D746,210 S**

(45) **Date of Patent:** **\*\* Dec. 29, 2015**

(54) **WHEEL OR WHEEL COVER**

(75) Inventors: **Cengiz Dilber**, Rielingshausen (DE);  
**Claus Hieke**, Sindelfingen (DE)

(73) Assignee: **Daimler AG**, Stuttgart (DE)

(\*\*) Term: **14 Years**

(21) Appl. No.: **29/309,722**

(22) Filed: **Sep. 29, 2008**

(30) **Foreign Application Priority Data**

Mar. 31, 2008 (EM) ..... 000906375-0003

(51) **LOC (10) Cl.** ..... **12-16**

(52) **U.S. Cl.**  
USPC ..... **D12/211**

(58) **Field of Classification Search**  
USPC ..... D12/204-213; 301/37.101, 64.101, 65,  
301/64.201

See application file for complete search history.

(56) **References Cited**

**U.S. PATENT DOCUMENTS**

D361,547 S *	8/1995	Weld	.....	D12/211
D410,618 S *	6/1999	Hussaini et al.	.....	D12/211
D487,418 S *	3/2004	Hieke	.....	D12/211
D522,946 S *	6/2006	Hieke	.....	D12/209
D522,947 S *	6/2006	Hieke	.....	D12/209

D531,104 S *	10/2006	Kim	.....	D12/209
D542,211 S *	5/2007	Hieke	.....	D12/211
D542,726 S *	5/2007	Hieke	.....	D12/209
D542,729 S *	5/2007	Hieke	.....	D12/211
D544,823 S *	6/2007	Hieke	.....	D12/211
D553,550 S *	10/2007	Tirado	.....	D12/211
D569,776 S *	5/2008	Hieke	.....	D12/211
D582,328 S *	12/2008	Hieke	.....	D12/209
D582,330 S *	12/2008	Hieke	.....	D12/209
D585,803 S *	2/2009	Hieke	.....	D12/209
D596,549 S *	7/2009	Varga	.....	D12/211
D602,834 S *	10/2009	Dilber	.....	D12/211
D603,779 S *	11/2009	Futschik et al.	.....	D12/211
D604,221 S *	11/2009	Krisch	.....	D12/211
D604,223 S *	11/2009	Dilber	.....	D12/211

\* cited by examiner

*Primary Examiner* — Stacia Cadmus

(74) *Attorney, Agent, or Firm* — Crowell & Moring LLP

(57) **CLAIM**

The ornamental design for a wheel or wheel cover, as shown and described.

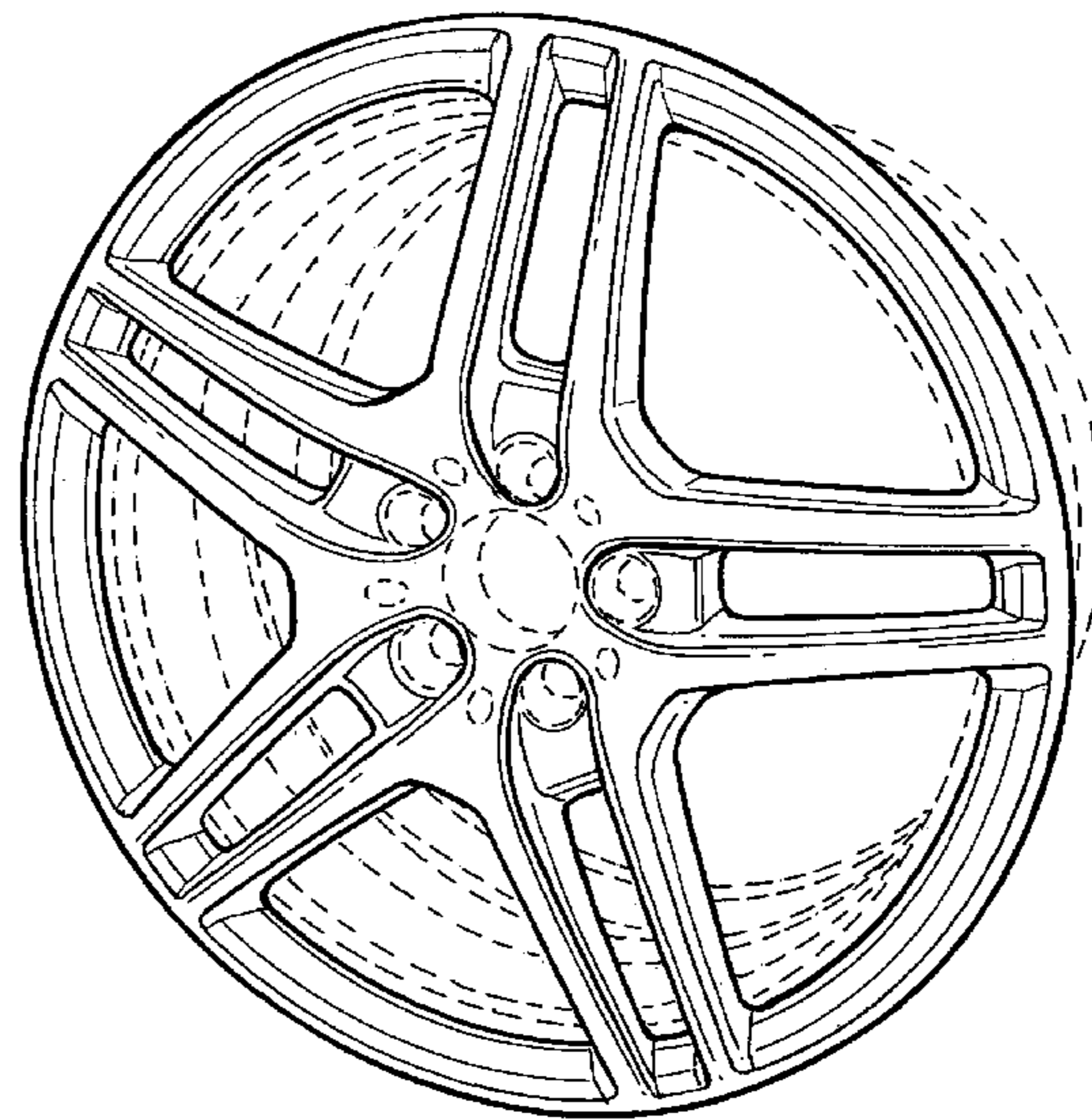
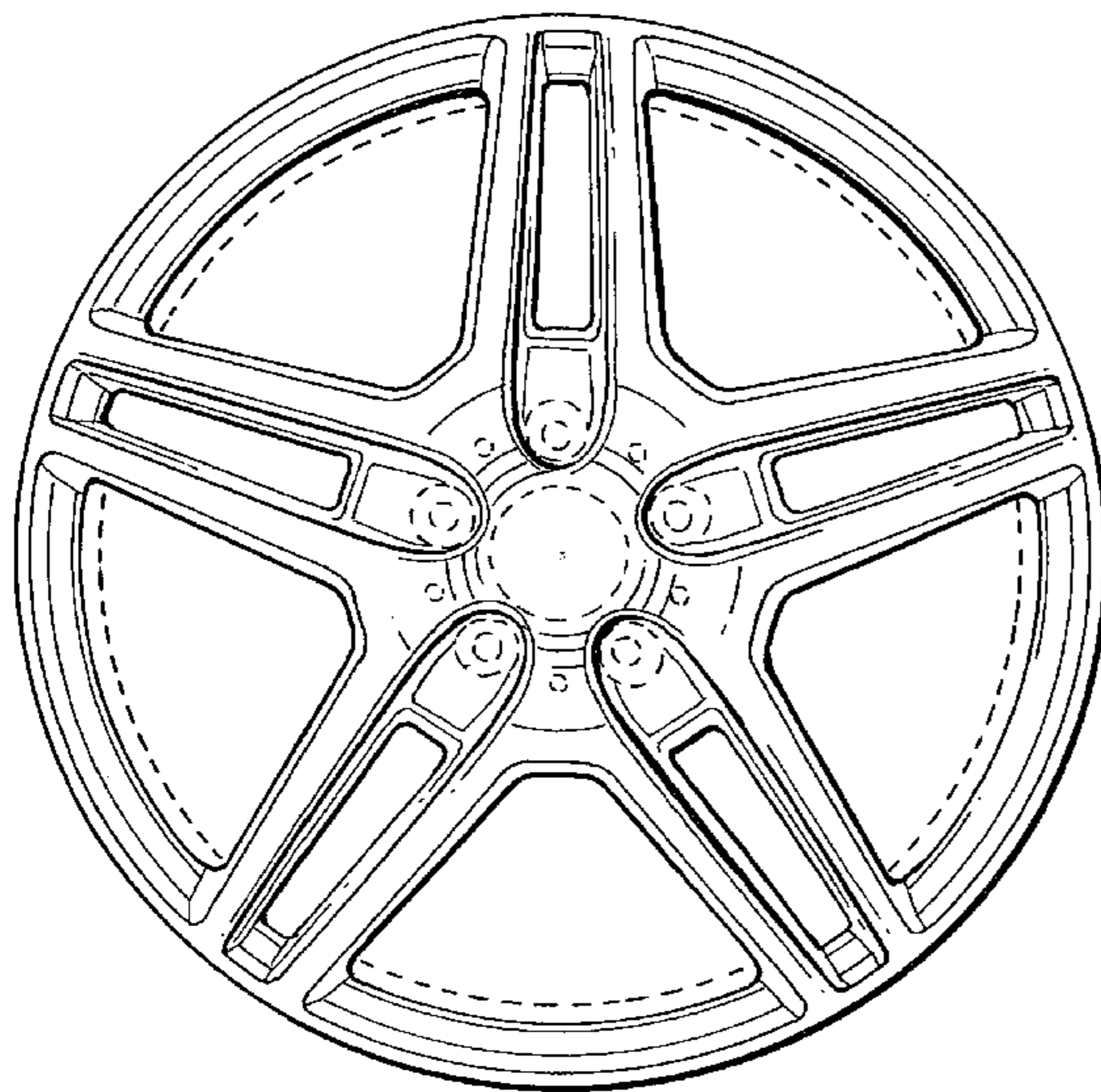
**DESCRIPTION**

FIG. 1 is a front view of a wheel or wheel cover according to our novel design; and,

FIG. 2 is a perspective view thereof.

The broken line showing of the rear of the rim and the bolt holes and center hole in the central hub area is included for the purpose of illustrating environment and forms no part of the claimed design.

**1 Claim, 1 Drawing Sheet**



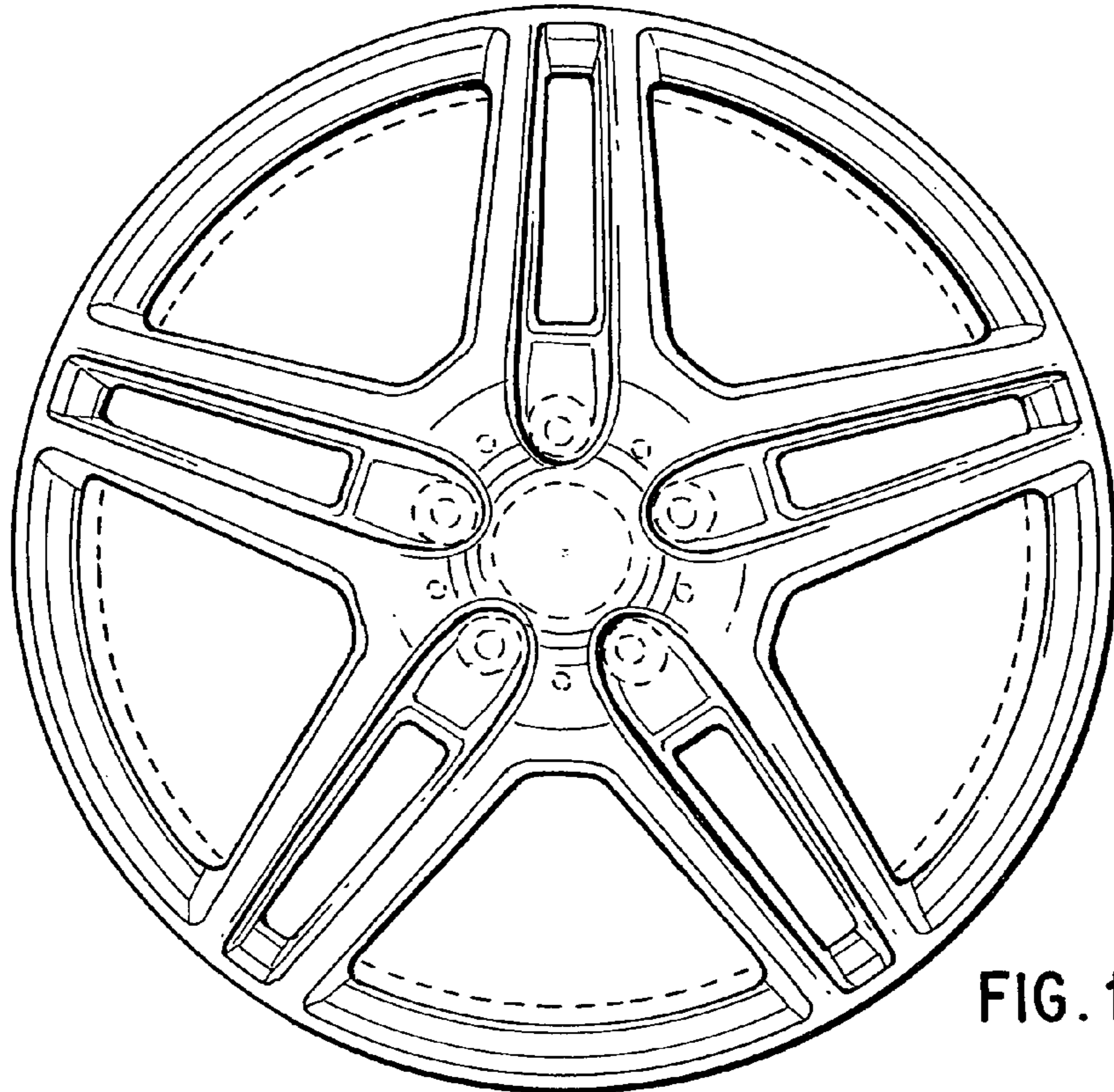


FIG. 1

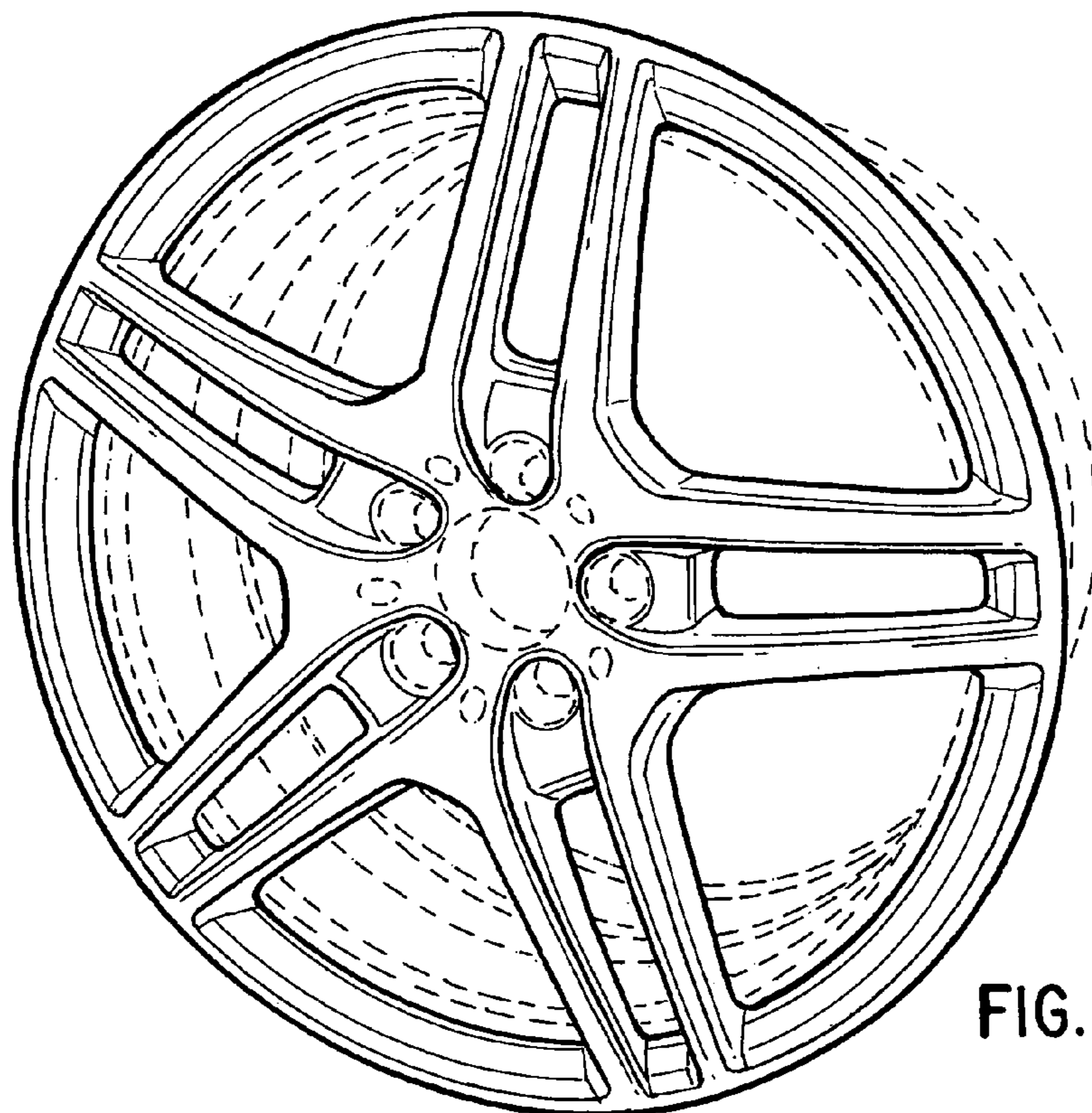


FIG. 2