



US00D746209S

(12) **United States Design Patent**  
**Chung**

(10) **Patent No.:** **US D746,209 S**

(45) **Date of Patent:** **\*\* Dec. 29, 2015**

(54) **AUTOMOTIVE WHEEL**

(71) Applicant: **Suny Chung**, Anaheim, CA (US)

(72) Inventor: **Suny Chung**, Anaheim, CA (US)

(\*\*) Term: **15 Years**

(21) Appl. No.: **29/533,007**

(22) Filed: **Jul. 13, 2015**

(51) **LOC (10) Cl.** ..... **12-16**

(52) **U.S. Cl.**  
USPC ..... **D12/209**

(58) **Field of Classification Search**  
USPC ..... D12/204–213  
CPC ..... B60B 7/00; B60B 7/02; B60B 7/04;  
B60B 7/01; B60B 7/06; B60B 3/02; B60B  
3/04; B60B 3/06; B60B 3/10; B60B 1/00;  
B60B 1/08; B60B 1/10; B60B 1/12  
See application file for complete search history.

(56) **References Cited**

**U.S. PATENT DOCUMENTS**

- D584,673 S \* 1/2009 Chung ..... D12/209
- D649,107 S \* 11/2011 Hale, Jr. .... D12/211
- D652,362 S \* 1/2012 Lucaora ..... D12/209

- D695,181 S \* 12/2013 Kong ..... D12/209
- D695,182 S \* 12/2013 Chung ..... D12/209
- D695,666 S \* 12/2013 Chung ..... D12/209
- D714,202 S \* 9/2014 Kim ..... D12/209
- D719,890 S \* 12/2014 Johnson ..... D12/209
- D726,621 S \* 4/2015 Alfonso ..... D12/209
- D736,133 S \* 8/2015 Hale ..... D12/209
- D737,748 S \* 9/2015 Henstridge ..... D12/209

\* cited by examiner

*Primary Examiner* — Stacia Cadmus

(57) **CLAIM**

The ornamental design for an automotive wheel, as shown and described.

**DESCRIPTION**

FIG. 1 is a perspective view of an automotive wheel, showing my new design

FIG. 2 is a front view of FIG. 1

FIG. 3 is a perspective view of a second embodiment of an automotive wheel, showing my new design; and,

FIG. 4 is a front view of FIG. 3.

The broken line showing of the rear portion of the wheel is included for the purpose of illustrating environment and forms no part of the claimed design.

**1 Claim, 4 Drawing Sheets**

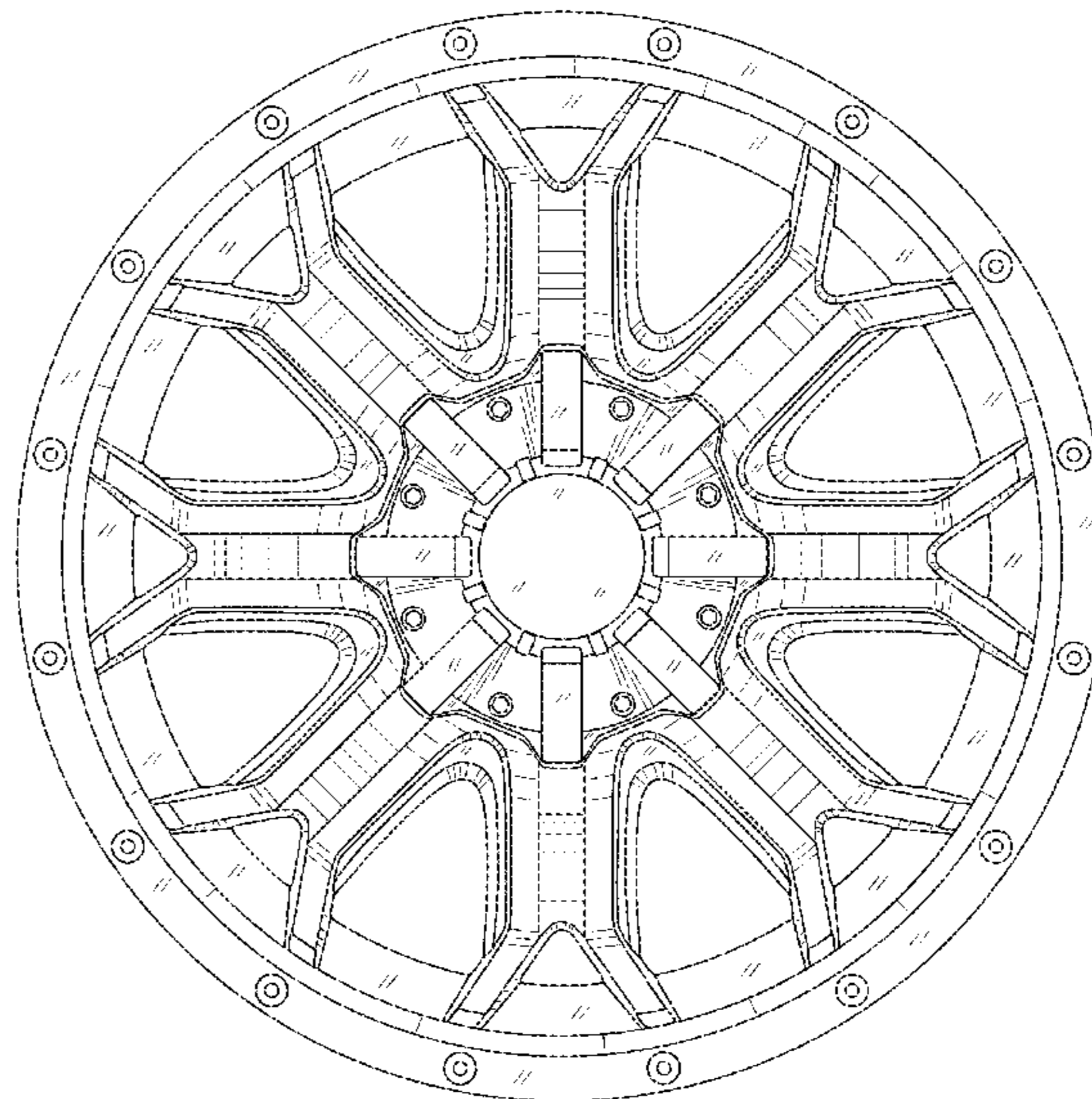
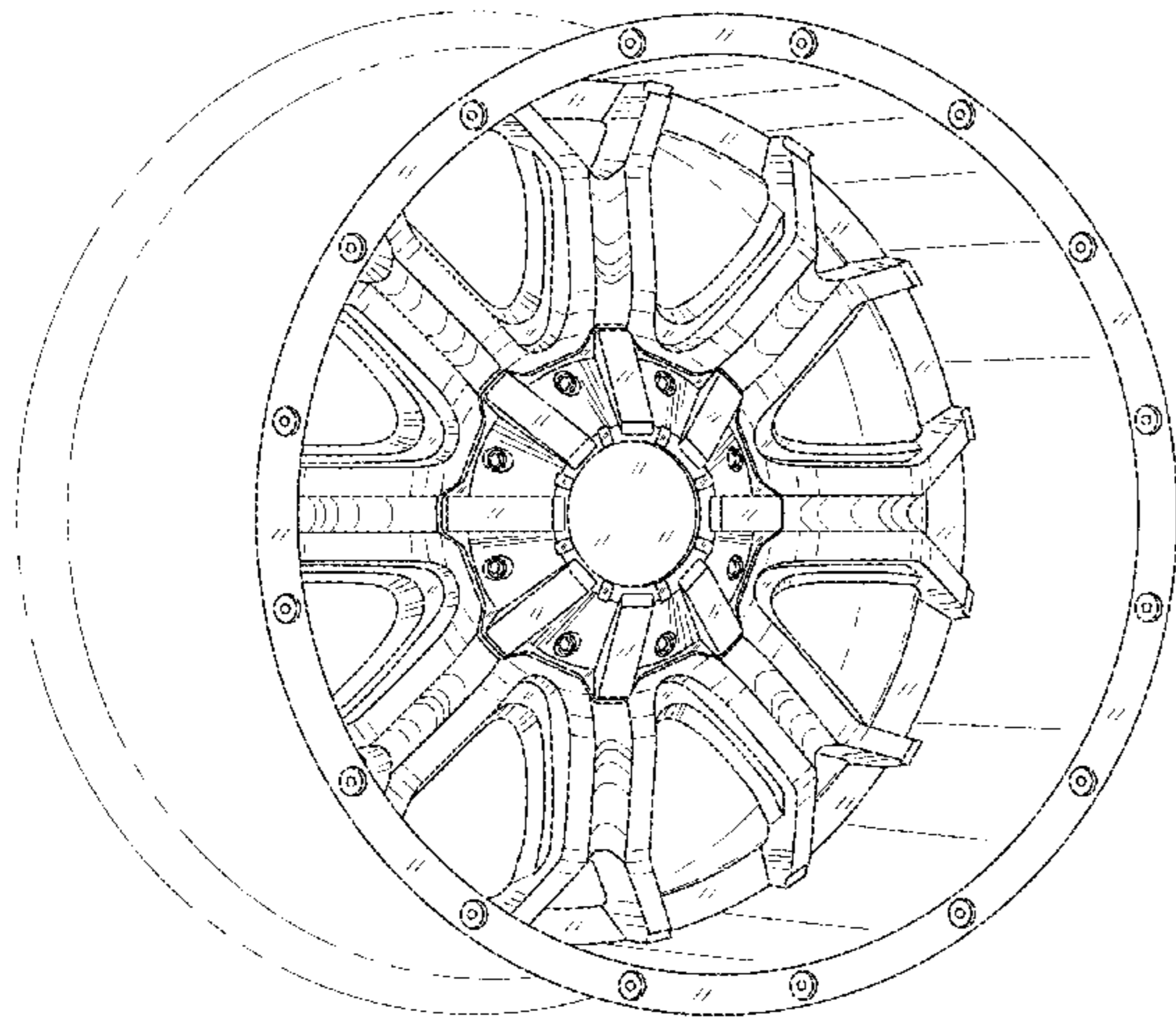


FIGURE 1

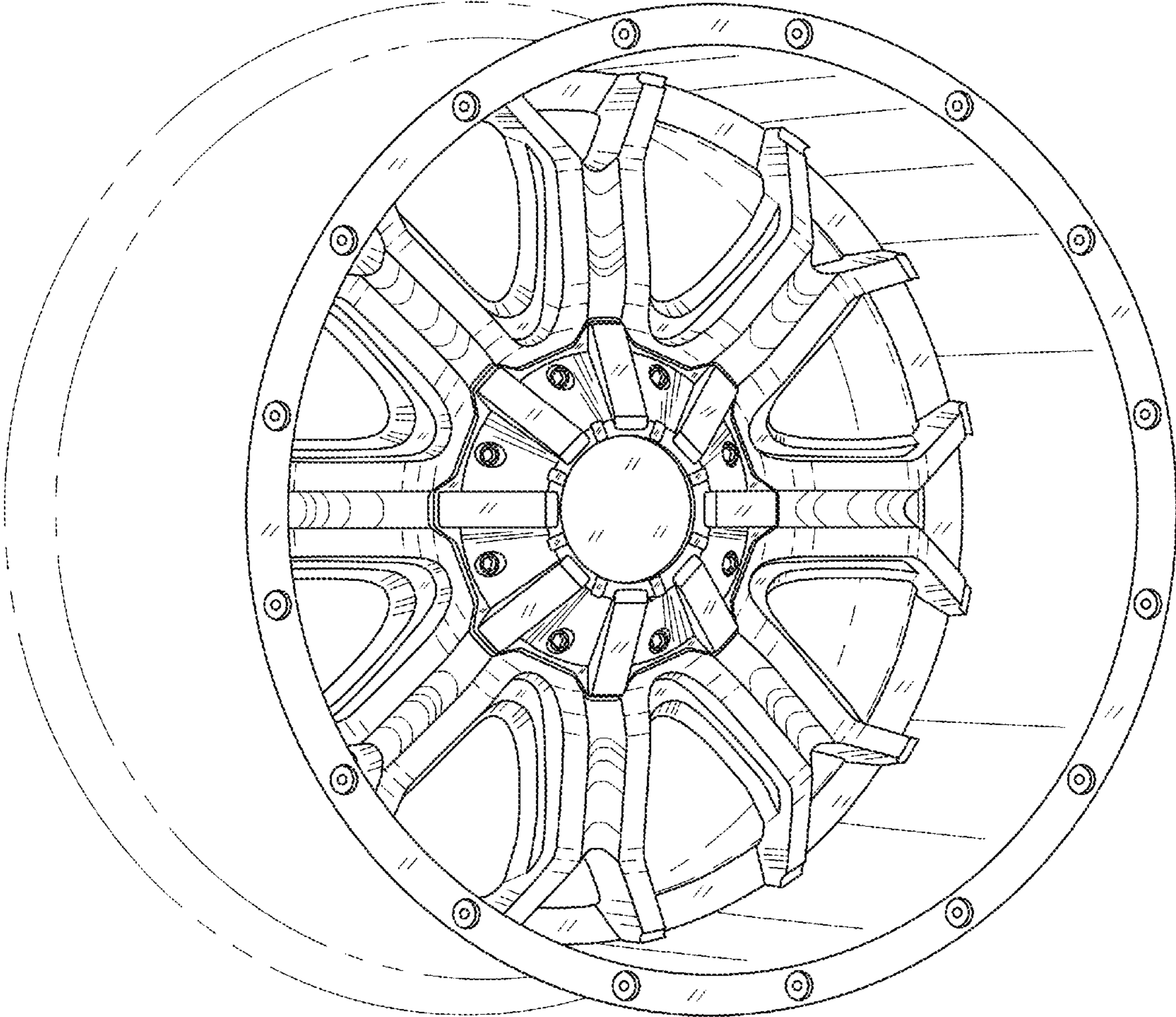


FIGURE 2

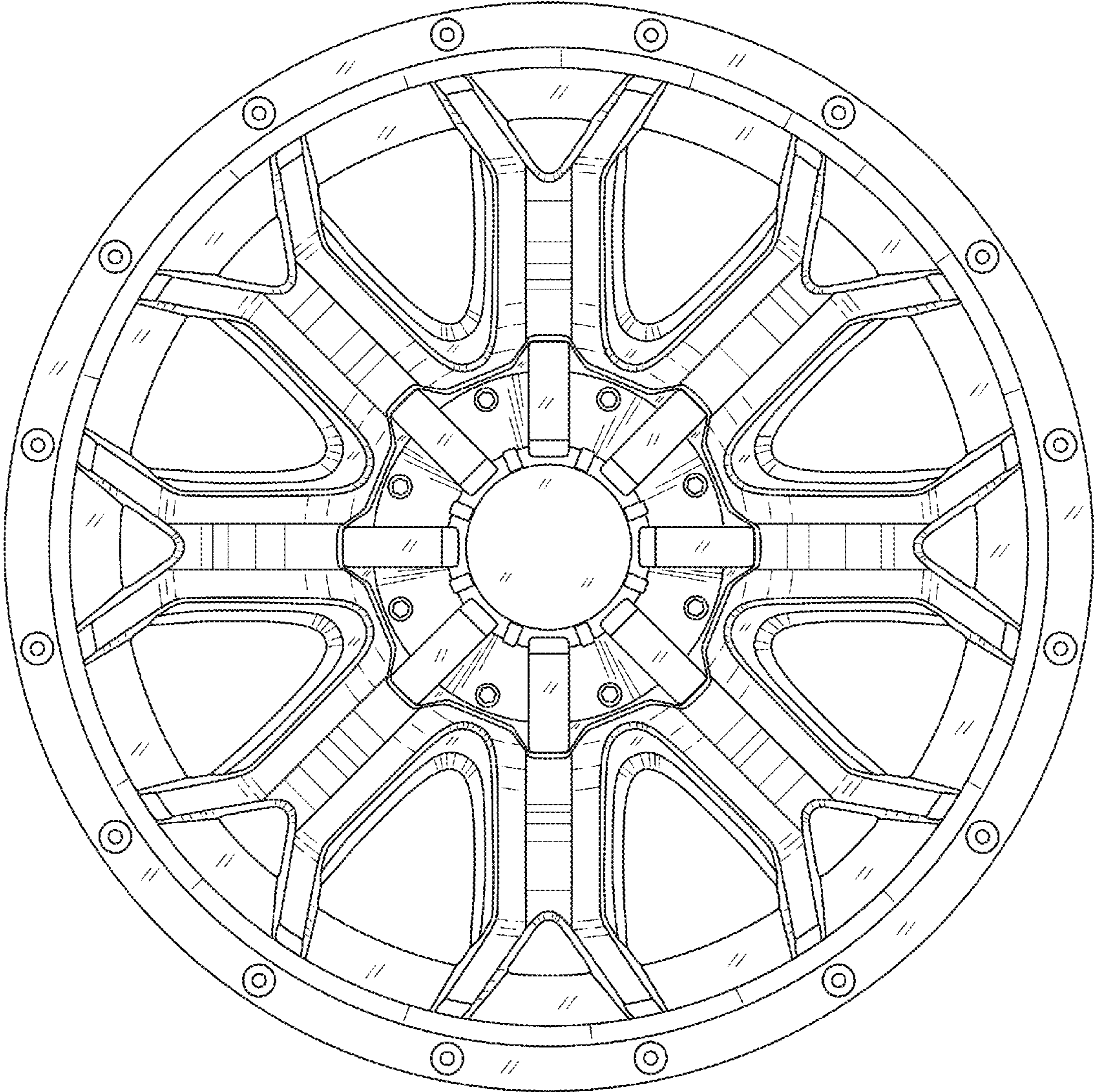


FIGURE 3

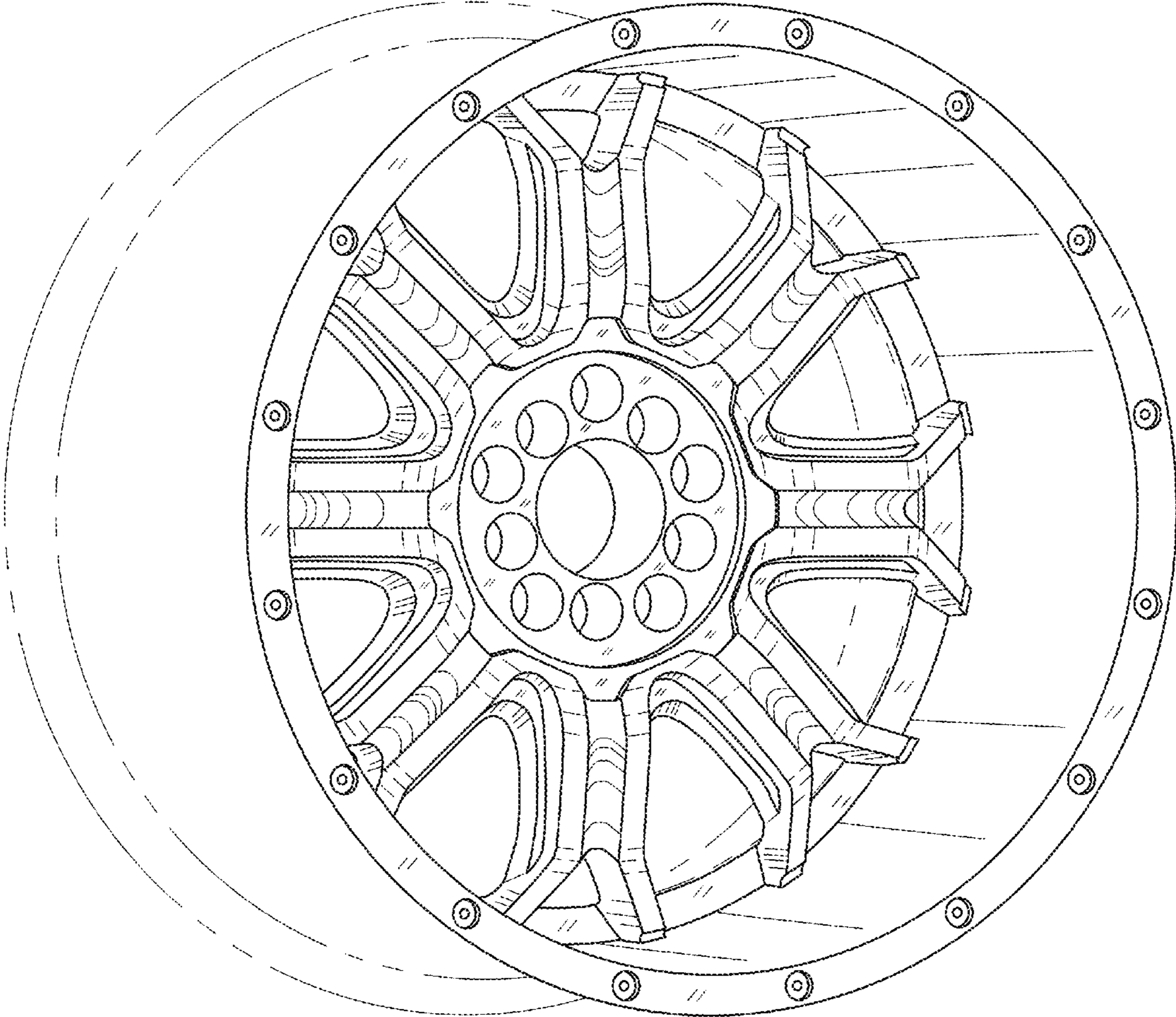


FIGURE 4

