



US00D746207S

(12) **United States Design Patent**
Bass et al.

(10) **Patent No.:** **US D746,207 S**

(45) **Date of Patent:** **** Dec. 29, 2015**

(54) **REVERSIBLE WHEEL**

(71) Applicants: **Scotty Vann Bass**, Hartsfield, GA (US);
Roscoe Herbert Prosser, Thomasville,
GA (US)

(72) Inventors: **Scotty Vann Bass**, Hartsfield, GA (US);
Roscoe Herbert Prosser, Thomasville,
GA (US)

(**) Term: **14 Years**

(21) Appl. No.: **29/446,880**

(22) Filed: **Feb. 28, 2013**

(51) **LOC (10) Cl.** **12-16**

(52) **U.S. Cl.**
USPC **D12/208**

(58) **Field of Classification Search**
USPC D12/204–213
CPC B60B 7/00; B60B 7/02; B60B 7/04;
B60B 7/01; B60B 7/06; B60B 3/02; B60B
3/04; B60B 3/06; B60B 3/10; B60B 1/00;
B60B 1/08; B60B 1/10; B60B 1/12

See application file for complete search history.

(56) **References Cited**

U.S. PATENT DOCUMENTS

D226,657 S *	4/1973	Grawey	D12/209
D288,197 S *	2/1987	Goudy	D12/210
D302,674 S *	8/1989	Sheeler	D12/204
D696,174 S *	12/2013	Rider et al.	D12/208
D698,296 S *	1/2014	Rider et al.	D12/208
D701,478 S *	3/2014	Rider et al.	D12/208

* cited by examiner

Primary Examiner — Stacia Cadmus

(74) *Attorney, Agent, or Firm* — Withers & Keys, LLC

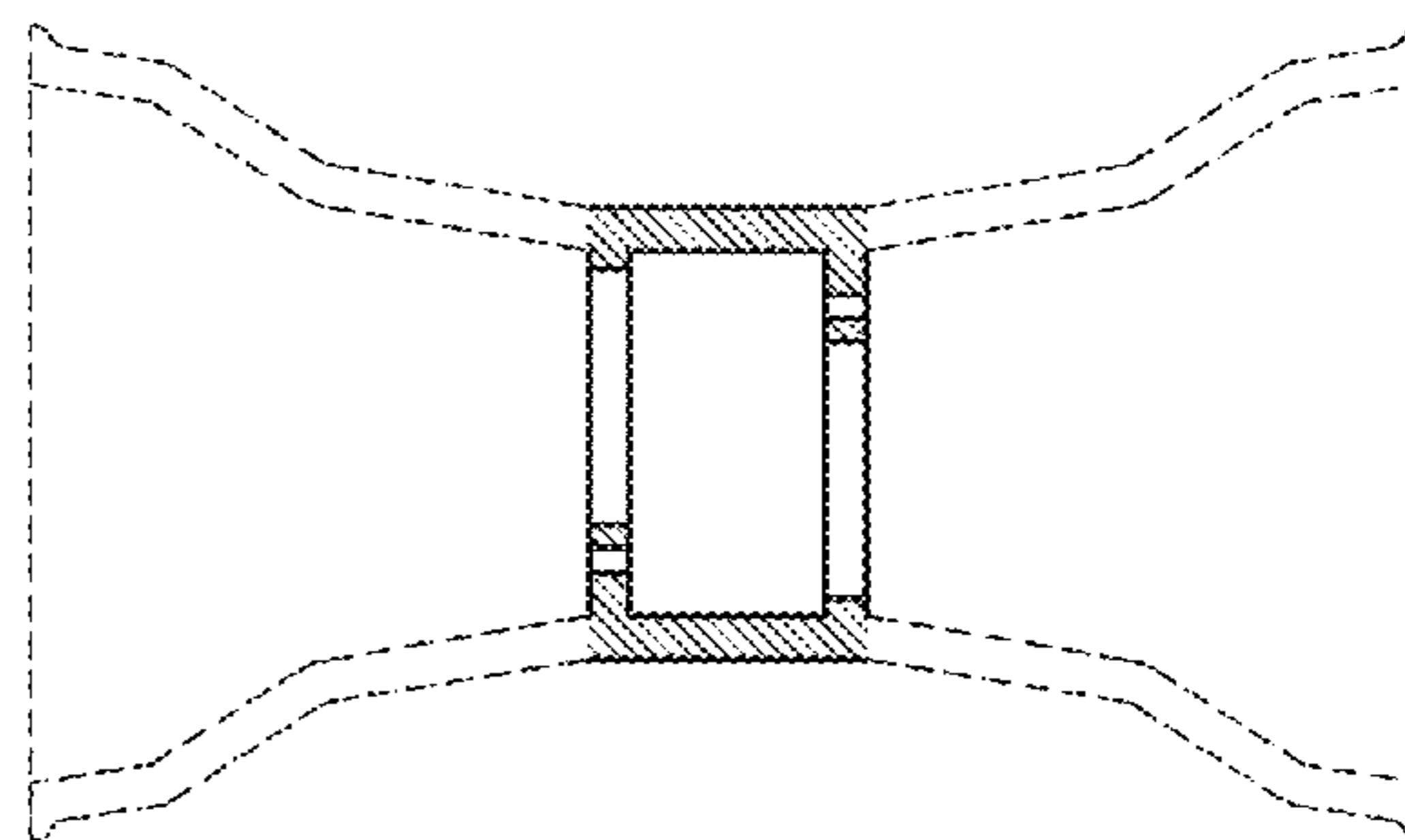
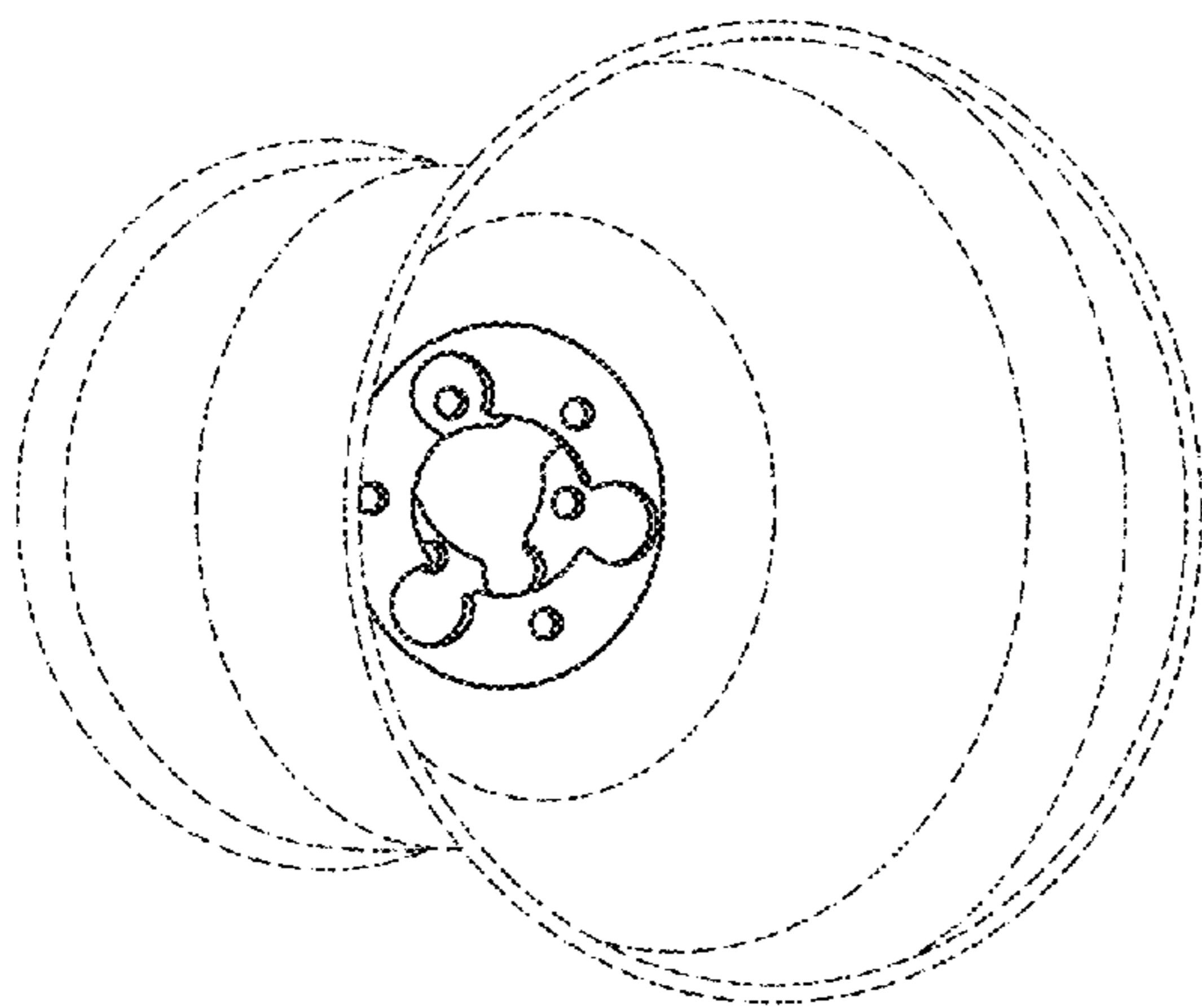
(57) **CLAIM**

The ornamental design for the reversible wheel, as shown and described.

DESCRIPTION

FIG. 1 is a perspective view of the reversible wheel showing our new design;
FIG. 2 is a side view thereof;
FIG. 3 is a left view thereof;
FIG. 4 is a right view thereof;
FIG. 5 is a cross-sectional view as viewed along line 5-5 shown in FIG. 4; and,
FIG. 6 is a side view of a tire comprising the reversible wheel. The broken line showing of (i) outer portions of the reversible wheel in FIGS. 1-6, and (ii) an outline of a tire in FIG. 6 is included for the purpose of illustrating environment and form no part of the claimed design.

1 Claim, 6 Drawing Sheets



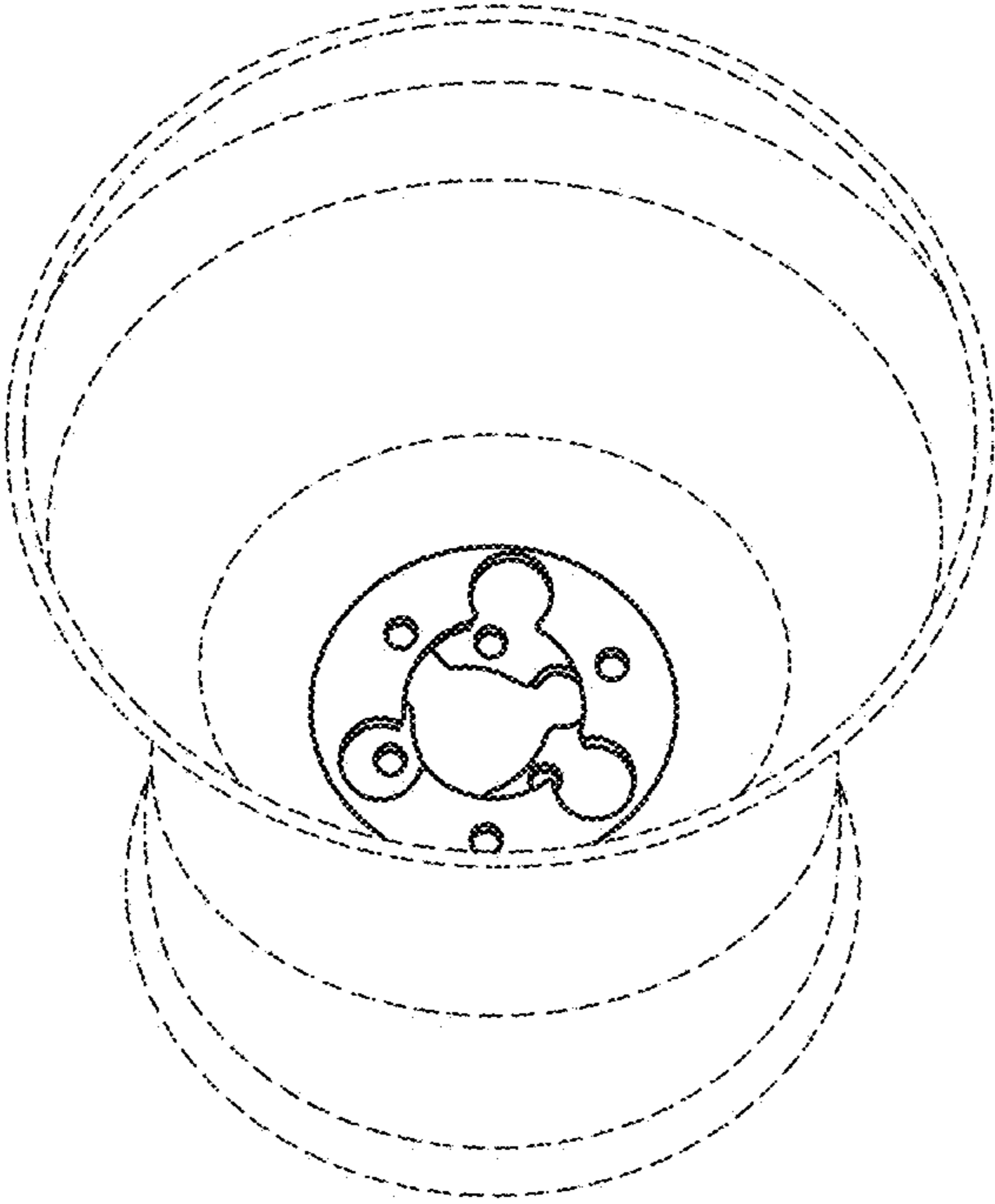


FIG. 1

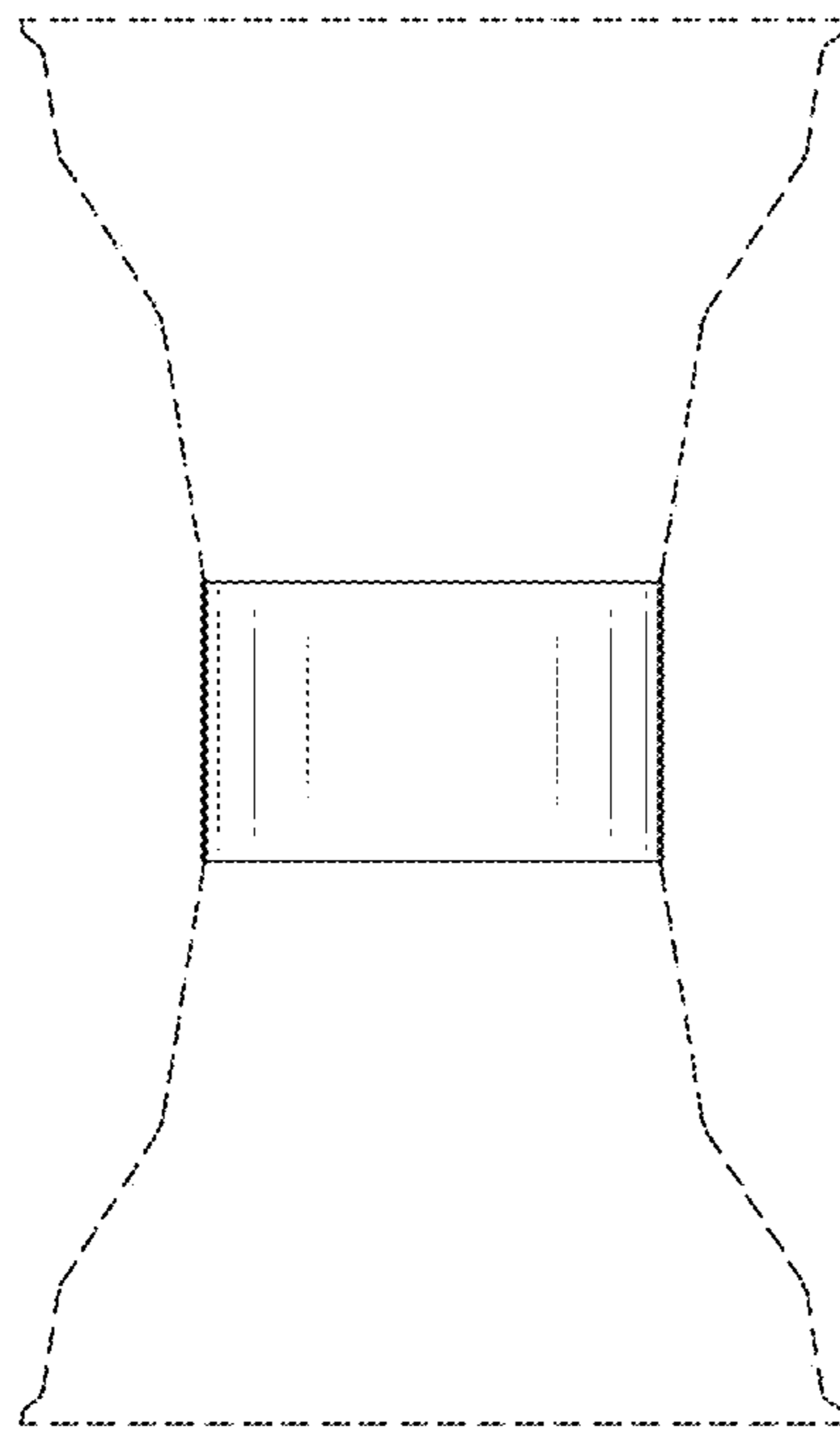


FIG. 2

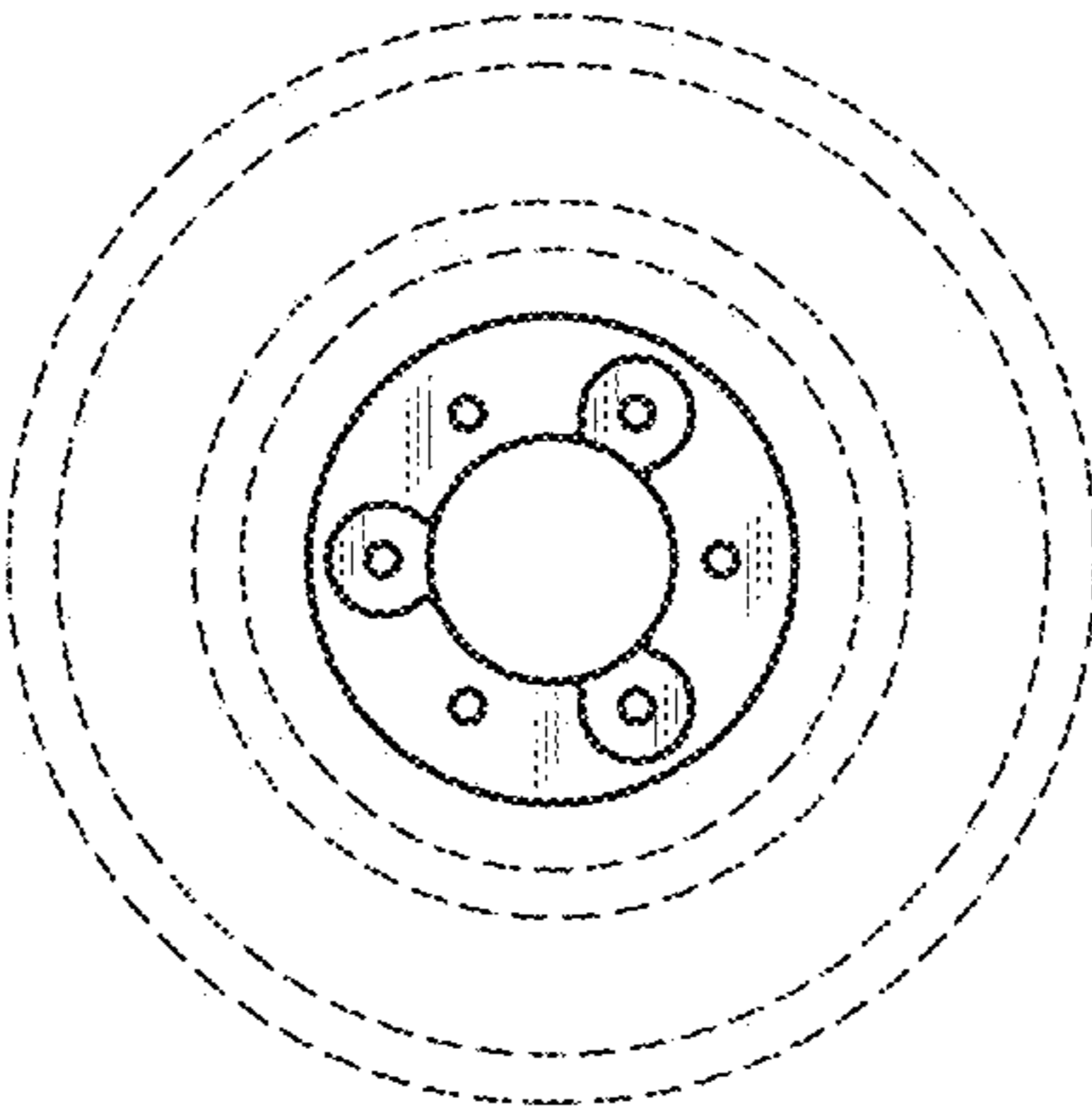


FIG. 3

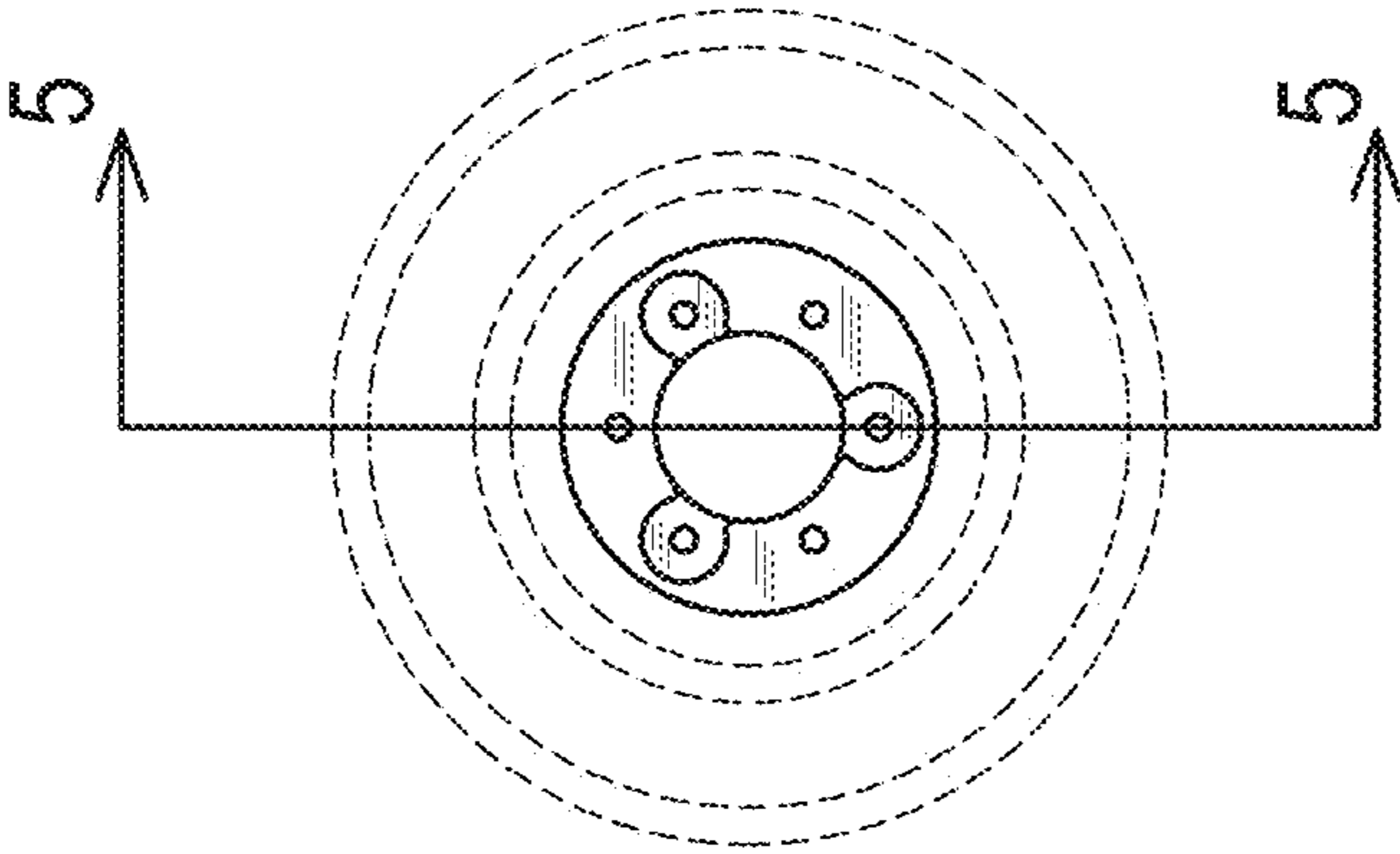


FIG. 4

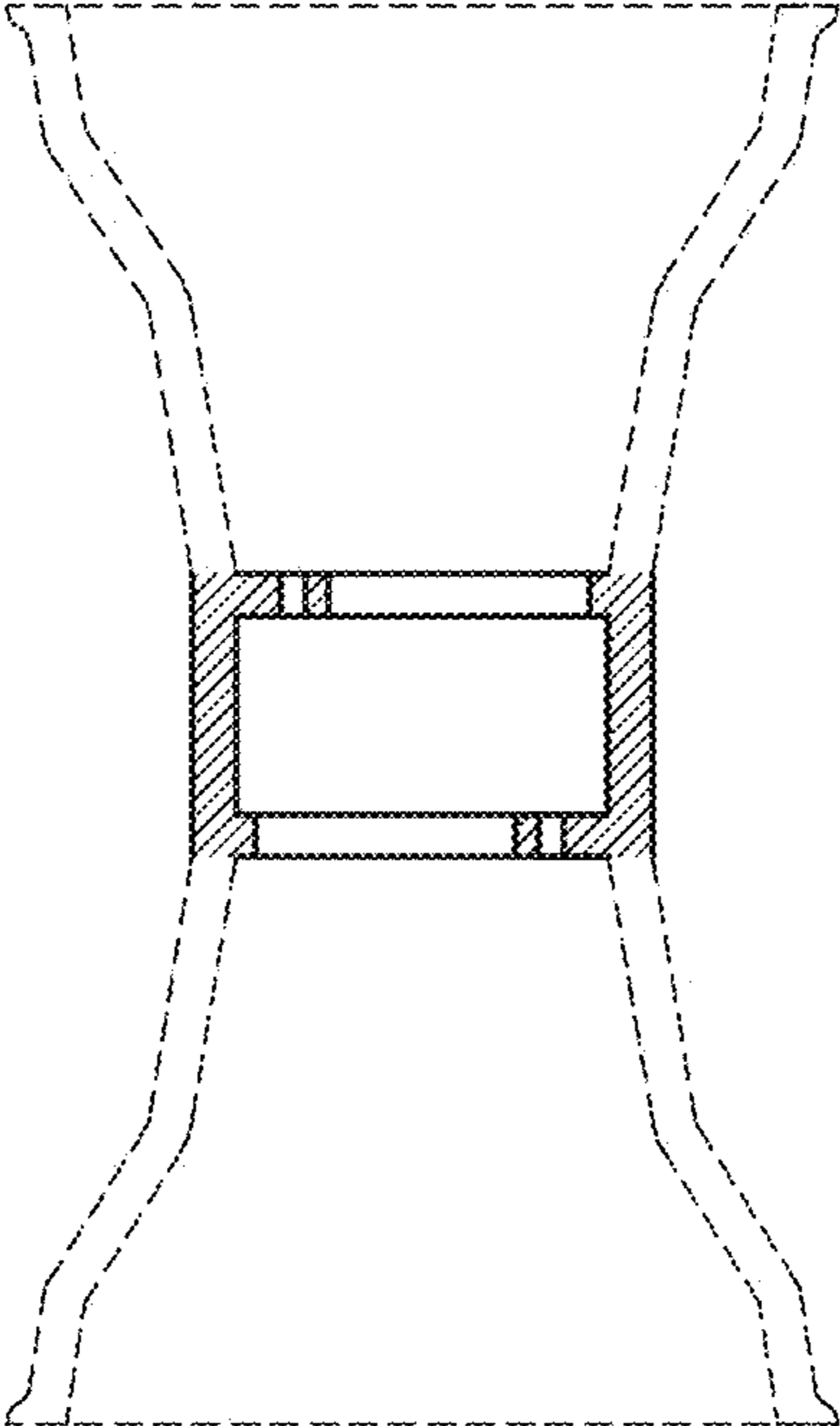


FIG. 5

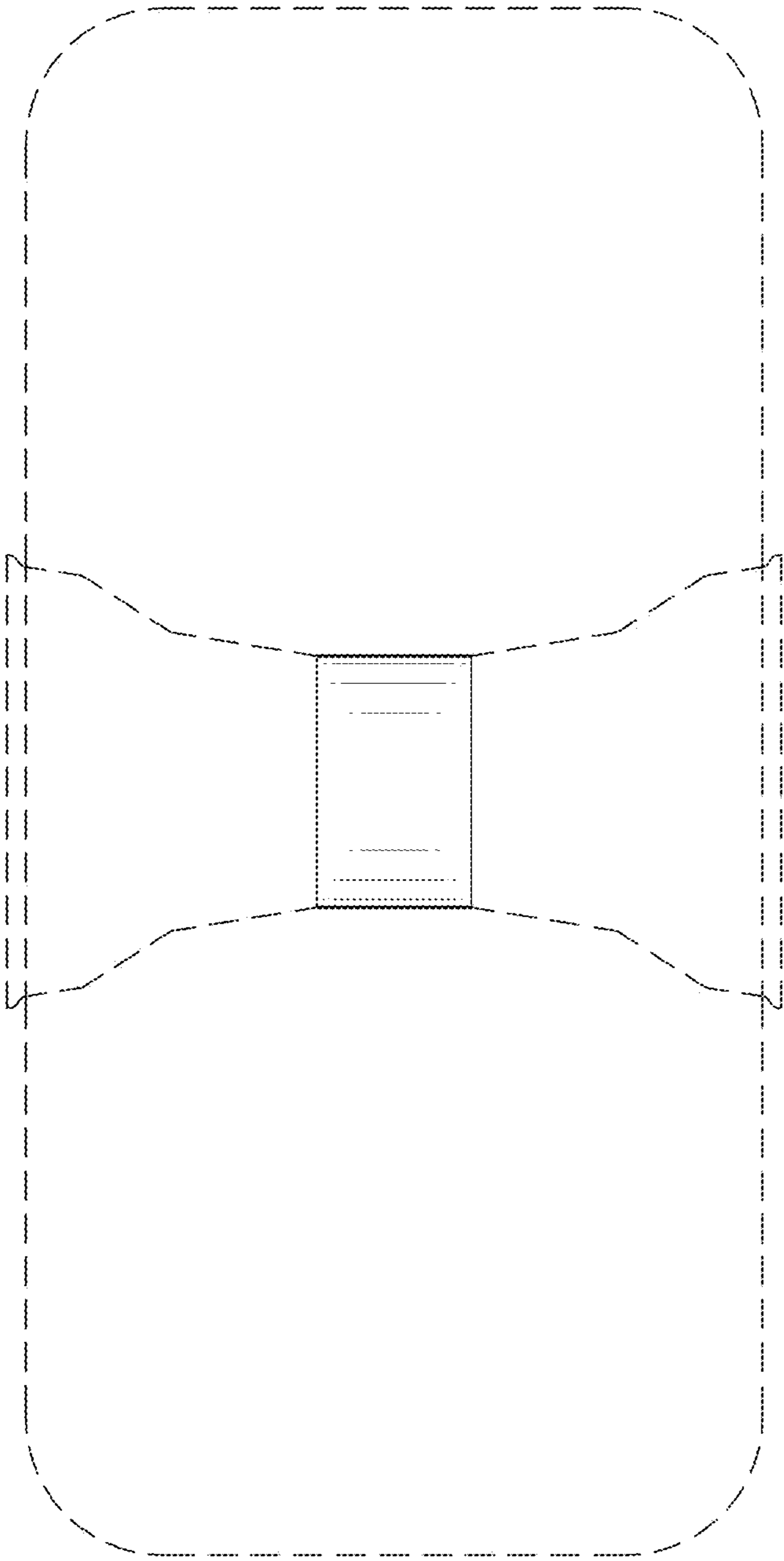


FIG. 6