



US00D746205S

(12) **United States Design Patent**  
**Jelec**

(10) **Patent No.:** **US D746,205 S**

(45) **Date of Patent:** **\*\* Dec. 29, 2015**

(54) **VEHICLE COMPONENT**

(71) Applicant: **Jaguar Land Rover Limited**, Coventry (GB)

(72) Inventor: **Tadeusz Jelec**, Coventry (GB)

(73) Assignee: **Jaguar Land Rover Limited** (GB)

(\*\*) Term: **14 Years**

(21) Appl. No.: **29/485,979**

(22) Filed: **Mar. 25, 2014**

(30) **Foreign Application Priority Data**

Sep. 26, 2013 (EM) ..... 002315895

(51) **LOC (10) Cl.** ..... **12-08**

(52) **U.S. Cl.**  
USPC ..... **D12/195**

(58) **Field of Classification Search**  
USPC ..... D12/195, 193, 414, 190, 196; D5/17;  
D15/28; D10/46, 98, 102-103,  
D10/302-303  
CPC ..... B60J 5/04; B60N 2/466; B60N 2/4693;  
B60R 13/0243  
See application file for complete search history.

(56) **References Cited**

**U.S. PATENT DOCUMENTS**

D292,063 S \* 9/1987 Hill ..... D8/302  
D531,880 S \* 11/2006 Wang ..... D8/302

D672,219 S \* 12/2012 Blanski et al. .... D8/302  
D677,143 S \* 3/2013 Blanski et al. .... D8/302  
D690,185 S \* 9/2013 Taiko ..... D8/302  
2013/0076047 A1 \* 3/2013 Wheeler et al. .... 292/336.3  
2014/0125097 A1 \* 5/2014 Andreiu ..... 297/217.3  
2014/0347164 A1 \* 11/2014 De Wind et al. .... 340/5.72  
2015/0028864 A1 \* 1/2015 Wang et al. .... 324/244

\* cited by examiner

*Primary Examiner* — Katrina A Betton

(74) *Attorney, Agent, or Firm* — Fishman Stewart Yamaguchi PLLC

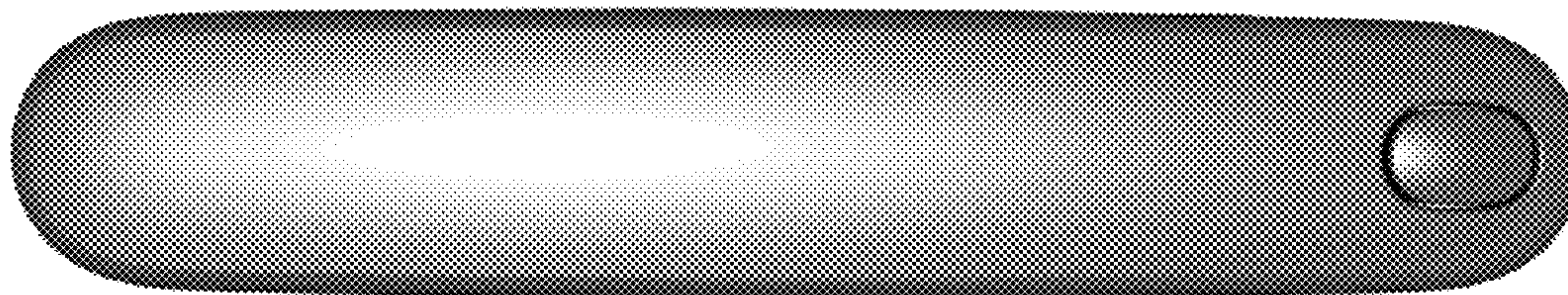
(57) **CLAIM**

The ornamental design for a vehicle component, as shown and described.

**DESCRIPTION**

FIG. 1 is a front perspective view of a vehicle component; FIG. 2 is a rear perspective view of a vehicle component; FIG. 3 is a front view of a vehicle component; FIG. 4 is a supplemental rear perspective view of a vehicle component; FIG. 5 is a left side perspective view of a vehicle component; FIG. 6 is a rear side perspective view of a vehicle component; and, FIG. 7 is a top view of a vehicle component. Portions of FIG. 1-7 that are shown in dashed lines are for illustrative purposes only and form no part of the claimed design.

**1 Claim, 4 Drawing Sheets**



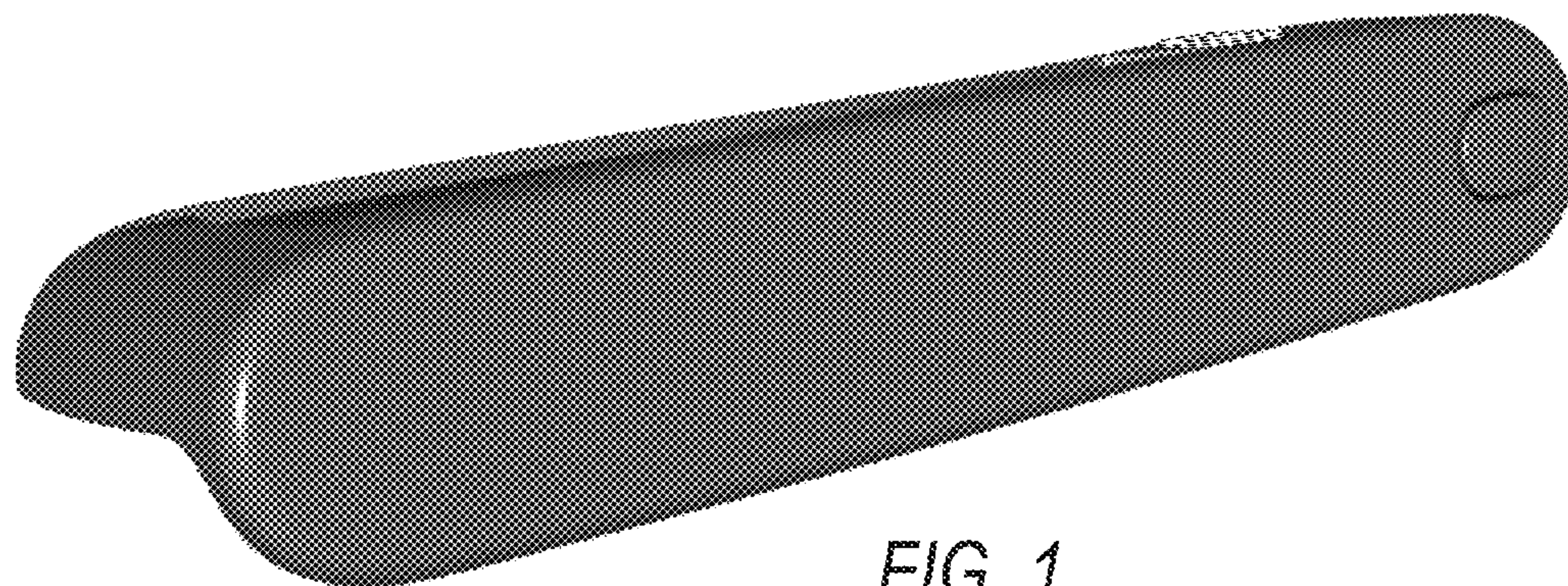


FIG. 1

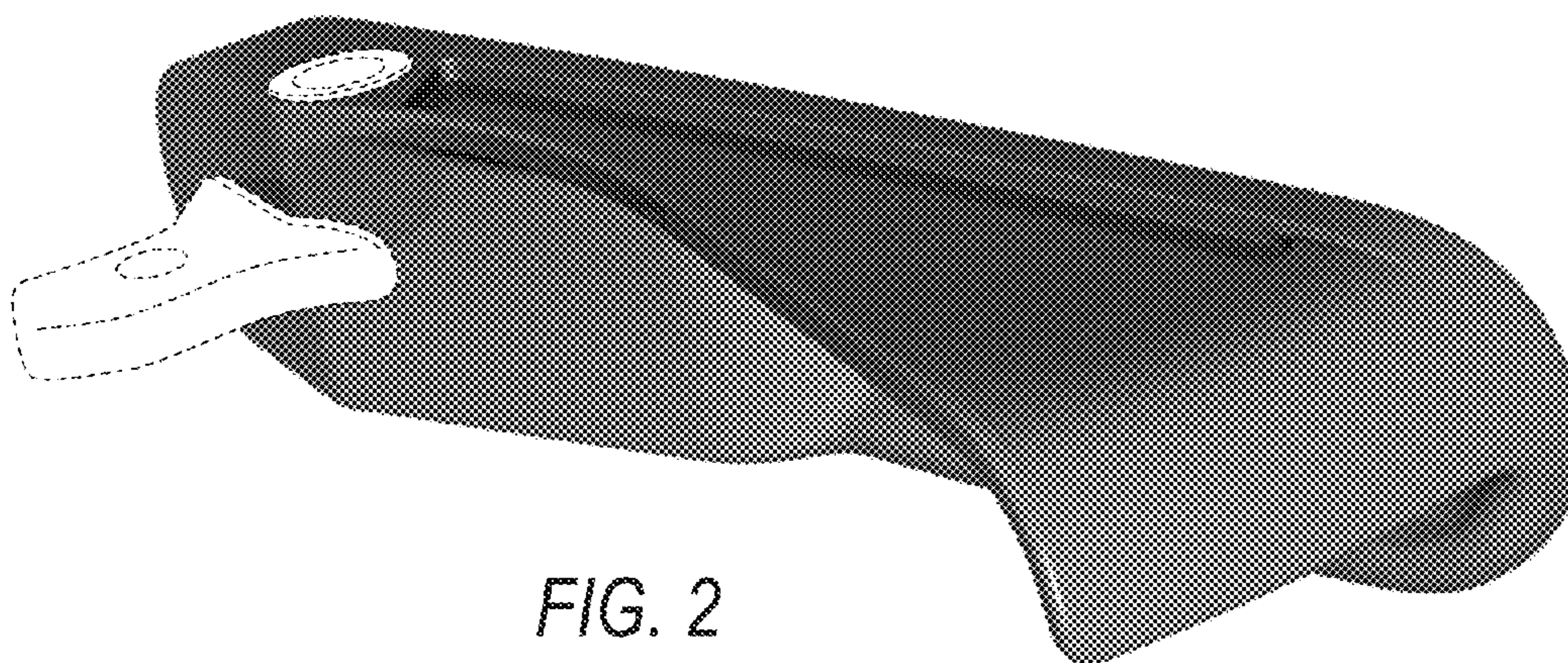


FIG. 2



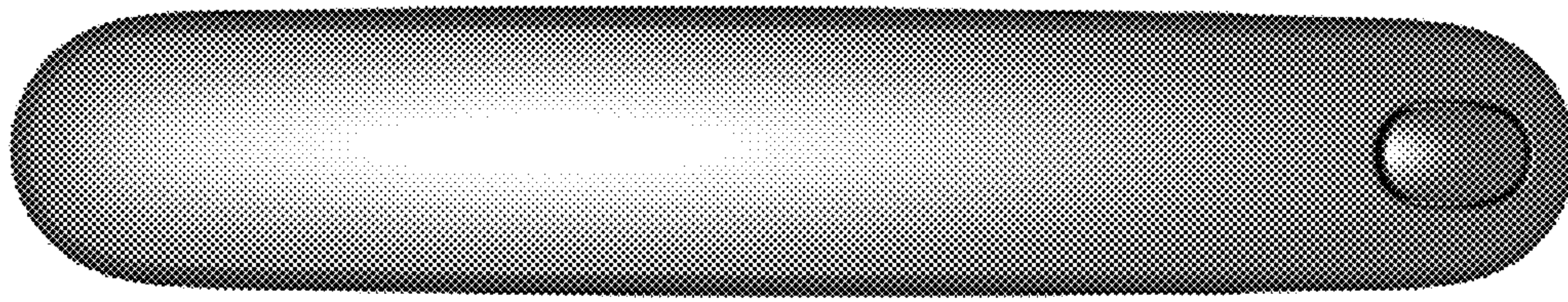


FIG. 3

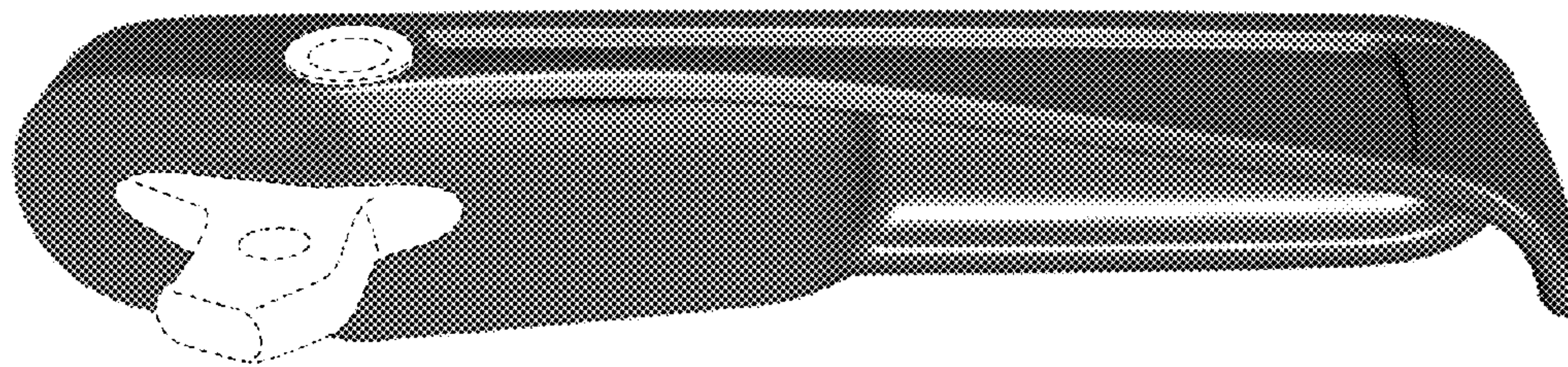


FIG. 4

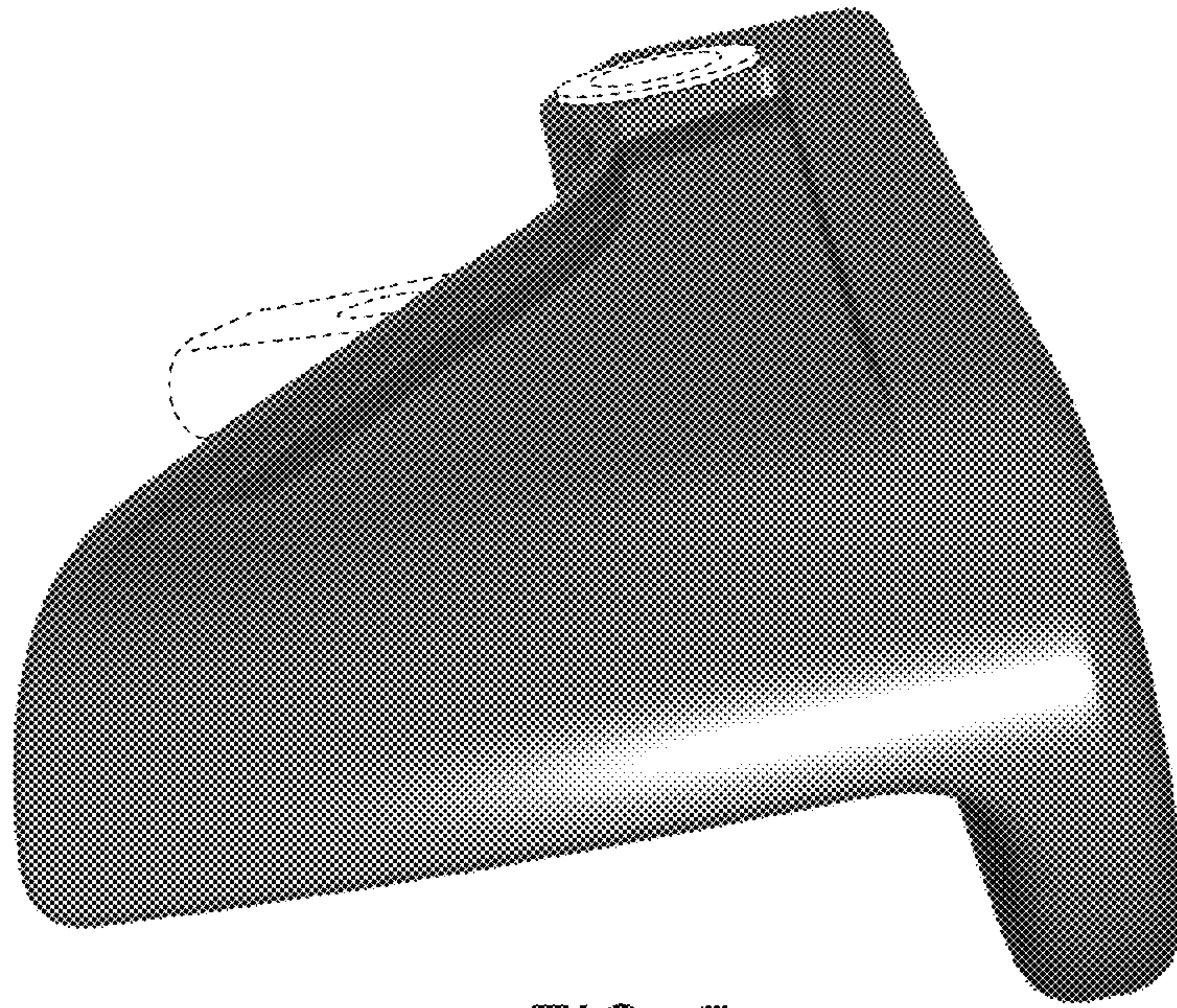


FIG. 5

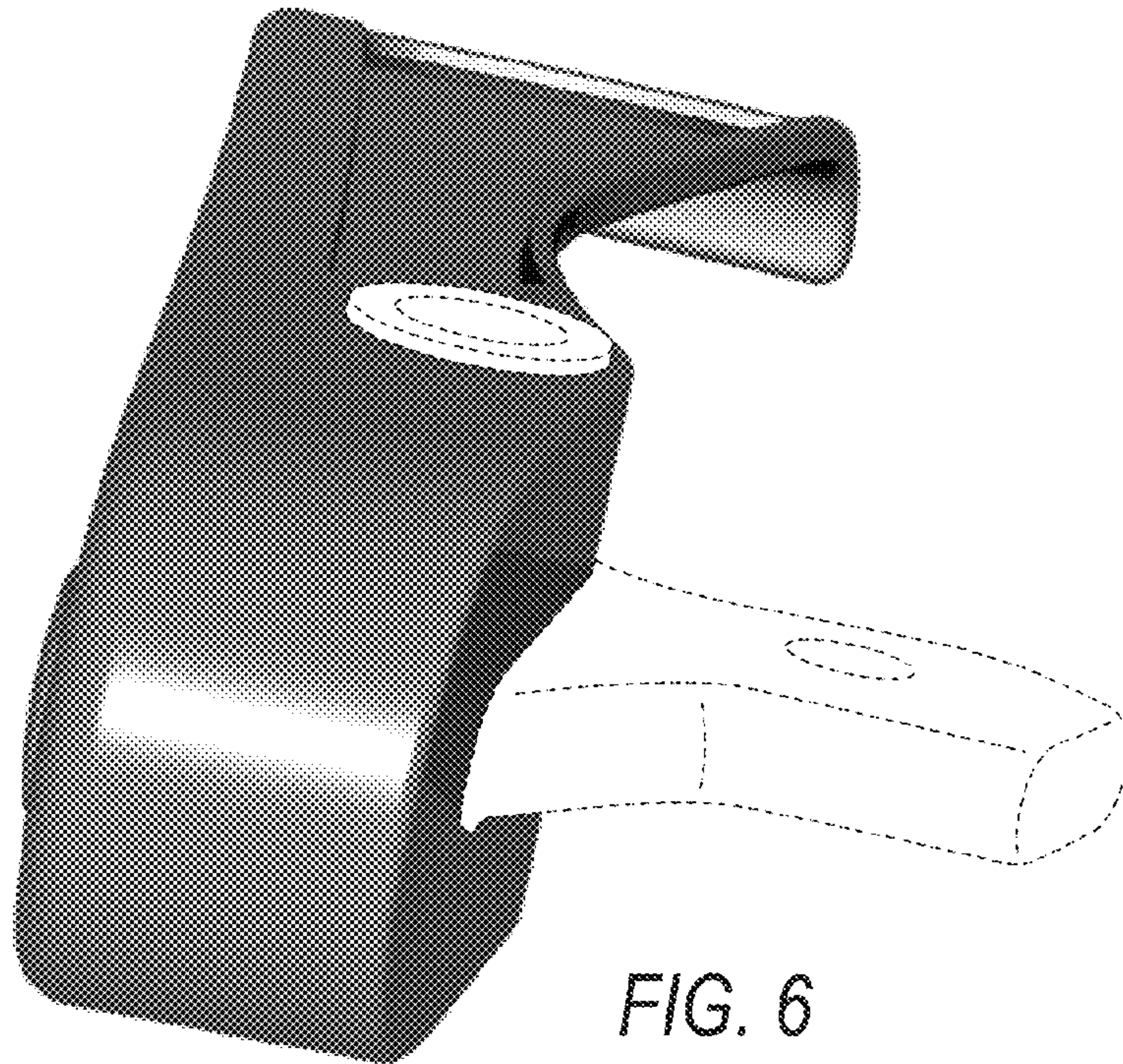


FIG. 6



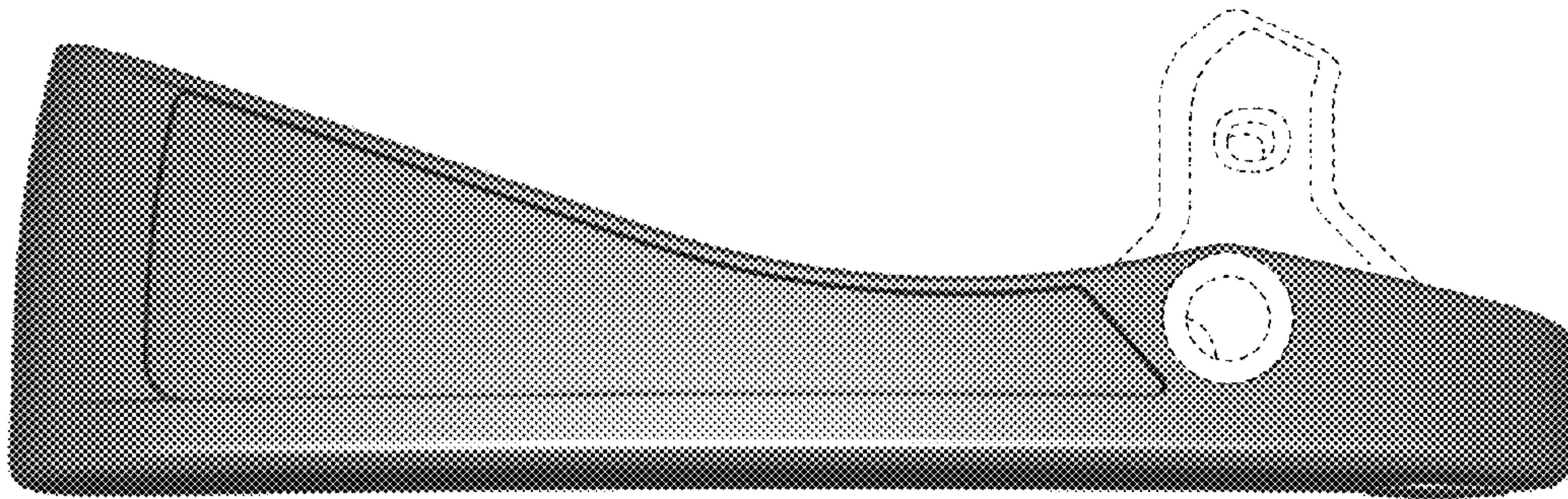


FIG. 7