

US00D746201S

(12) **United States Design Patent**
Schlater

(10) **Patent No.:** **US D746,201 S**
(45) **Date of Patent:** **** Dec. 29, 2015**

(54) **TRIM MOLDING FOR A MOTOR VEHICLE WINDOW**

(71) Applicant: **Creative Extruded Products, Inc.**, Tipp City, OH (US)

(72) Inventor: **Timothy J. Schlater**, Ludlow Falls, OH (US)

(73) Assignee: **Creative Extruded Products, INC.**, Tipp City, OH (US)

(**) Term: **14 Years**

(21) Appl. No.: **29/511,005**

(22) Filed: **Dec. 5, 2014**

(51) **LOC (10) Cl.** **12-16**

(52) **U.S. Cl.**
USPC **D12/190**

(58) **Field of Classification Search**
USPC D12/190, 106, 181, 191, 196, 400, 88
CPC B60R 19/52; B60J 10/02
See application file for complete search history.

(56) **References Cited**

U.S. PATENT DOCUMENTS

5,413,397 A * 5/1995 Gold B60J 1/10
156/108
6,382,696 B1 * 5/2002 Young B60J 10/0011
264/241

7,188,885 B2 * 3/2007 Schlater B60J 10/02
296/93
D597,909 S * 8/2009 Schlater D12/190
D598,350 S 8/2009 Schlater et al.
D598,352 S * 8/2009 Schlater D12/190
2006/0022487 A1 * 2/2006 Schlater B60J 10/02
296/146.15
2007/0256376 A1 * 11/2007 Vaes E04F 19/0495
52/211
2008/0191508 A1 * 8/2008 Kolokowski B60J 1/006
296/93
2009/0212588 A1 * 8/2009 Schlater et al. B60J 10/0005
296/93

* cited by examiner

Primary Examiner — Katrina A Betton

(74) *Attorney, Agent, or Firm* — Jacox, Meckstroth & Jenkins

(57) **CLAIM**

The ornamental design for a trim molding for a motor vehicle window, as shown and described.

DESCRIPTION

FIG. 1 is a perspective view of a trim molding for a motor vehicle window, showing my new design, with a middle portion broken away to indicate no particular length; and, FIG. 2 is an end view thereof, the opposite end view being a mirror image.

The broken lines in FIG. 2 show a window edge portion and form no part of the claimed design.

1 Claim, 1 Drawing Sheet

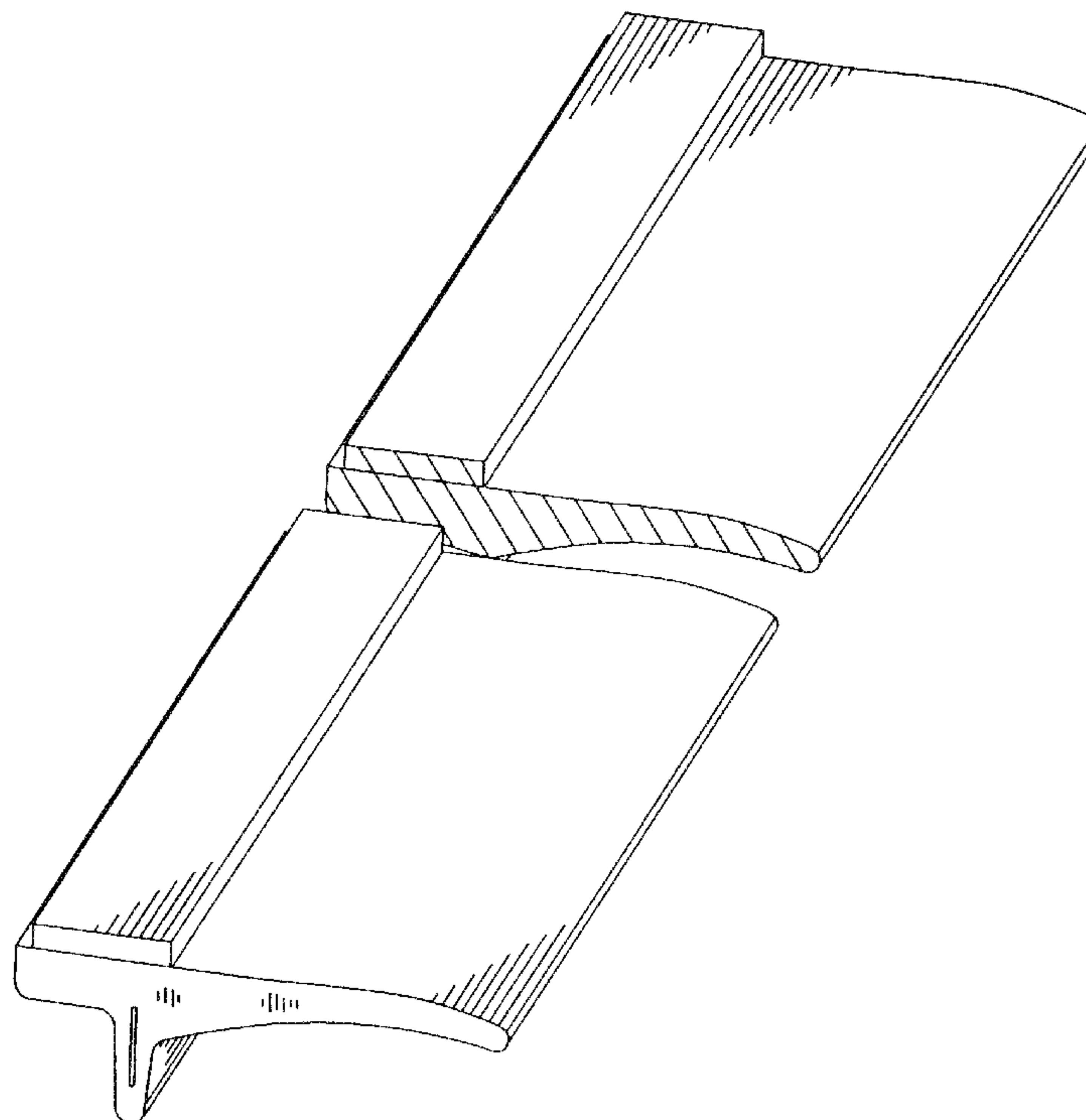


FIG. 1

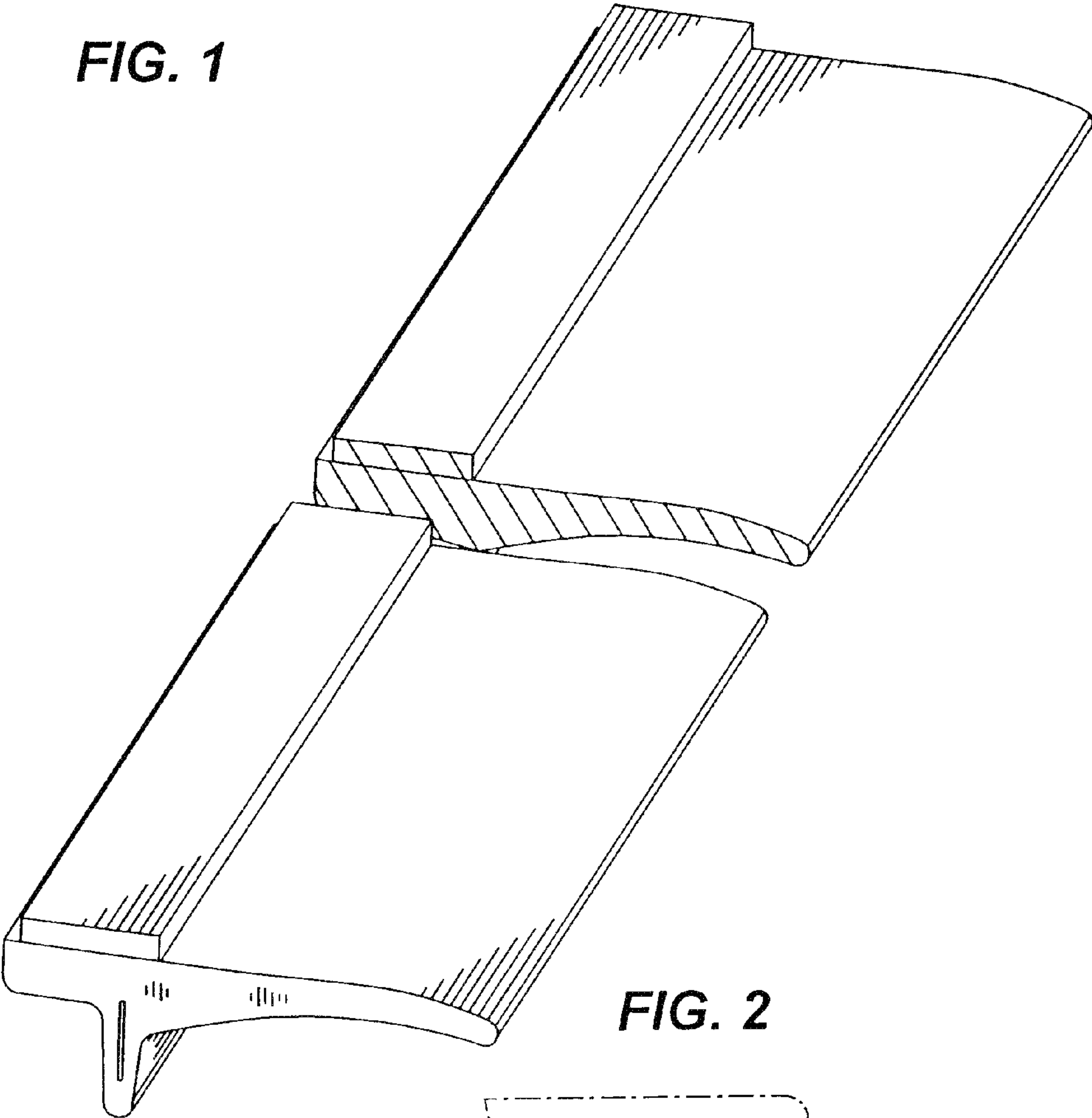


FIG. 2

