



US00D746200S

(12) **United States Design Patent**
Leetz

(10) **Patent No.:** **US D746,200 S**

(45) **Date of Patent:** **** Dec. 29, 2015**

(54) **HOOD SIDE BADGE**

D516,481 S * 3/2006 Metros D12/190
D517,965 S * 3/2006 Metros D12/190
D526,942 S 8/2006 Delashaw

(71) Applicant: **David Leetz**, Denton, TX (US)

(Continued)

(72) Inventor: **David Leetz**, Denton, TX (US)

OTHER PUBLICATIONS

(73) Assignee: **PACCAR Inc**, Bellevue, WA (US)

“Class Pays, Truck Models,” Peterbilt Motors Company, Denton, Texas, Mar. 2005, 24-page brochure.

(**) Term: **14 Years**

(Continued)

(21) Appl. No.: **29/501,500**

Primary Examiner — Katrina A Betton

(22) Filed: **Sep. 4, 2014**

(74) *Attorney, Agent, or Firm* — Christensen O’Connor Johnson Kindness PLLC

(51) **LOC (10) Cl.** **12-08**

(52) **U.S. Cl.**

(57) **CLAIM**

USPC **D12/190**

The ornamental design for a hood side badge, as shown and described.

(58) **Field of Classification Search**

USPC D12/190, 106, 181, 191, 196, 400, 88

CPC B60R 19/52

See application file for complete search history.

DESCRIPTION

(56) **References Cited**

FIG. 1 is a top isometric view of a hood side badge according to my new design;

U.S. PATENT DOCUMENTS

D59,374 S	10/1921	Patterson	
D67,494 S	6/1925	Campbell	
D70,157 S	5/1926	Campbell	
D144,886 S	6/1946	Bair	
3,039,217 A	6/1962	Stefanakis	
D234,855 S	4/1975	Allen	
5,275,249 A	1/1994	Nelson	
D394,035 S	5/1998	Stosel	
D429,195 S	8/2000	Gabath	
D429,766 S	8/2000	Elmer	
D435,066 S	12/2000	Hurschman	
D465,811 S	11/2002	Schaub	
D466,943 S	12/2002	Schaub	
D483,413 S	12/2003	Merenlender	
D497,860 S *	11/2004	Hoelzel D12/196
D501,888 S	2/2005	Arceta	
D502,898 S	3/2005	Delashaw	

FIG. 2 is a top view of the hood side badge of FIG. 1;

FIG. 3 is a front view of the hood side badge of FIG. 1;

FIG. 4 is a bottom view of the hood side badge of FIG. 1;

FIG. 5 is a left side view of the hood side badge of FIG. 1;

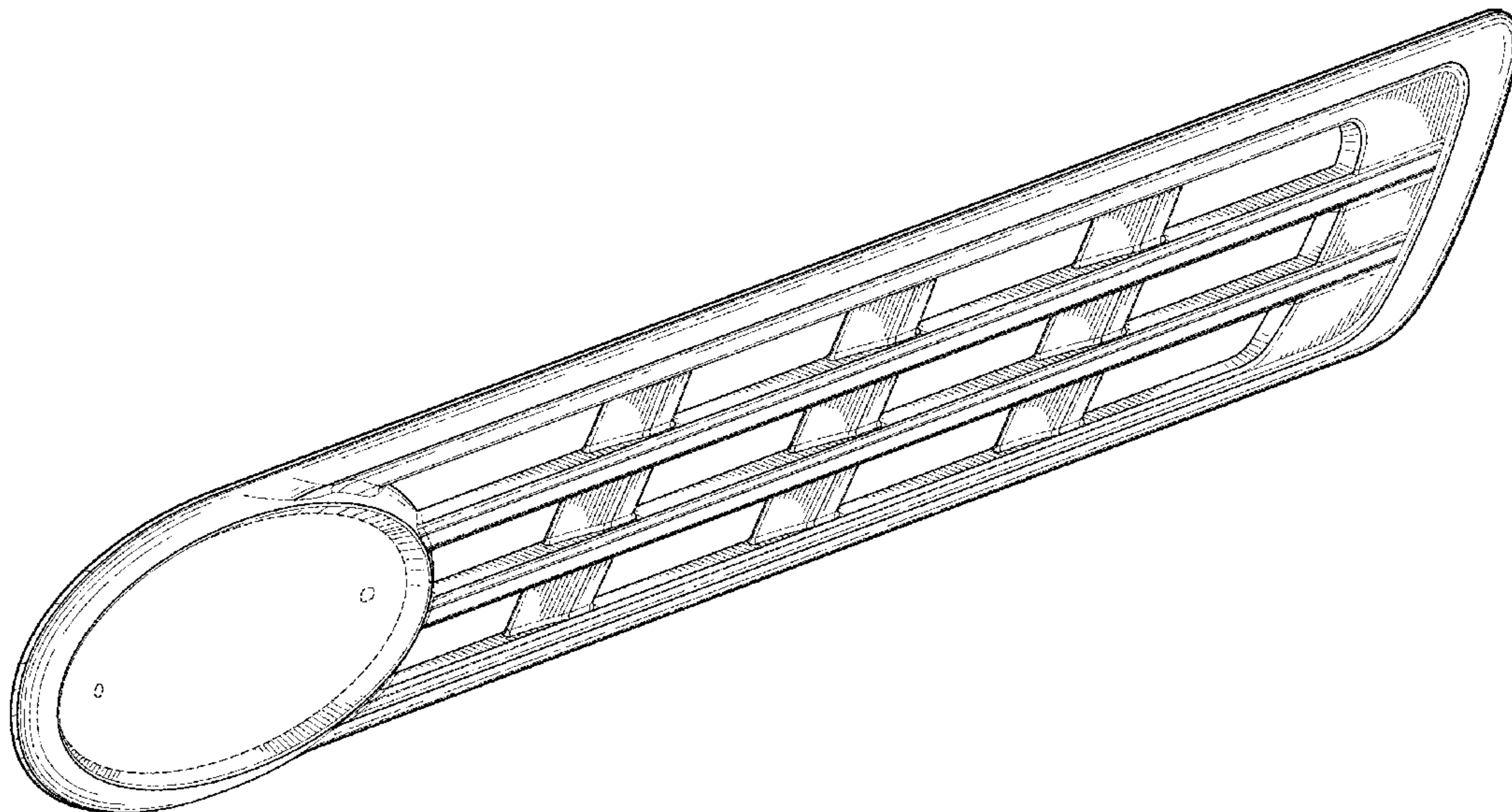
FIG. 6 is a right side view of the hood side badge of FIG. 1;

FIG. 7 is a bottom isometric view of the hood side badge of FIG. 1; and,

FIG. 8 is a cross-sectional view taken along line 8-8 in FIG. 3. The broken lines show portions of the hood side badge which form no part of the claimed design.

FIGS. 1-8 illustrate a first embodiment of our novel design suitable for use on one side of a vehicle. Our novel design also includes a second embodiment suitable for use on the opposite side of a vehicle, which is mirror symmetrical to FIGS. 1-8 and therefore not separately illustrated.

1 Claim, 4 Drawing Sheets



(56)

References Cited

U.S. PATENT DOCUMENTS

D537,883 S 3/2007 Gunter
D545,258 S * 6/2007 Teng D12/190
D545,729 S 7/2007 Lee
D565,477 S 4/2008 Ishibashi
D566,022 S * 4/2008 Johnson D12/190
7,628,237 B2 12/2009 Marqueling
D607,392 S * 1/2010 Shymkiw D12/190
D636,712 S * 4/2011 Shymkiw D12/190
D647,829 S 11/2011 Medina
D647,830 S 11/2011 Medina
D659,059 S * 5/2012 Elmitt D12/190
D686,116 S 7/2013 Karras

D688,611 S * 8/2013 Liao D12/190
D688,612 S * 8/2013 Liao D12/190
D696,165 S 12/2013 Campbell
D714,195 S 9/2014 Conway
D717,222 S * 11/2014 Waterman D12/190
2003/0027516 A1 2/2003 Mafi

OTHER PUBLICATIONS

“Model 387,” Peterbilt Motors Company, Denton, Texas, Oct. 2002,
2-page brochure.
“T300,” Kenworth Truck Company, Kirkland, Washington, 1997,
5-page brochure.

* cited by examiner

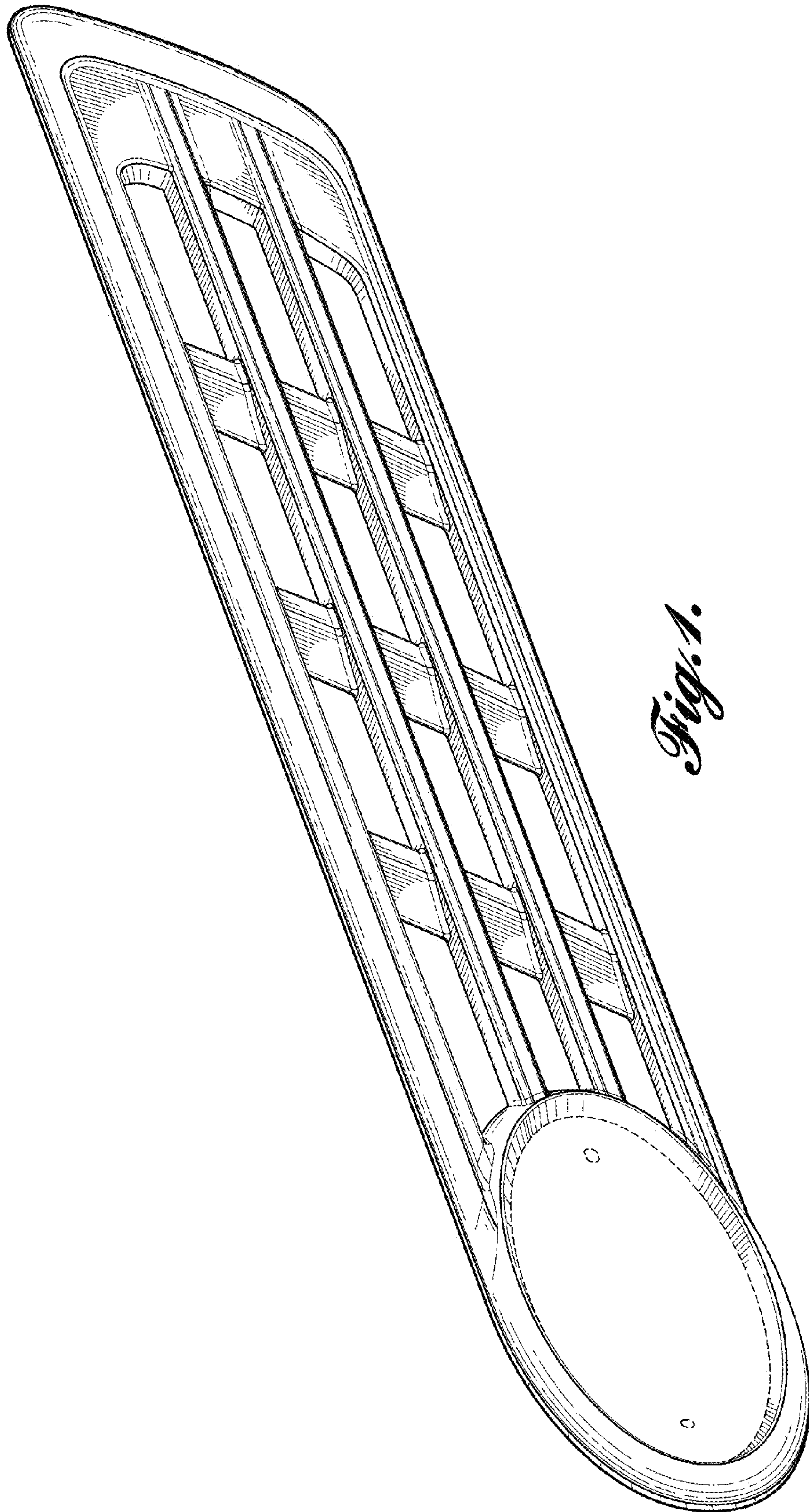


Fig. 1.



Fig. 2.

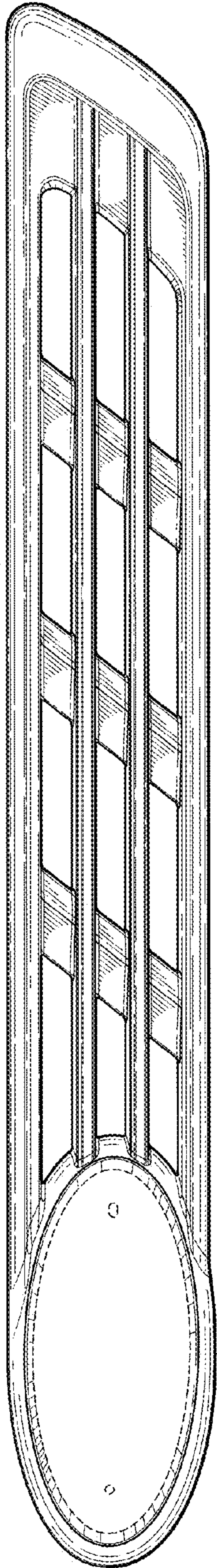


Fig. 3.



Fig. 4.

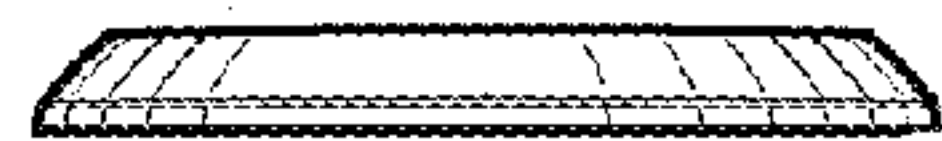


Fig. 5.

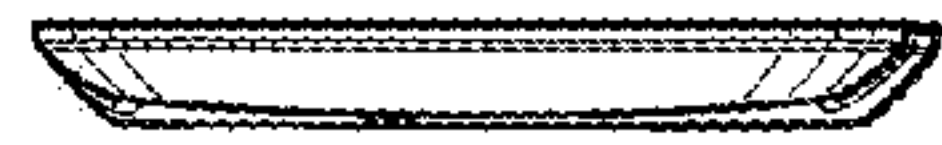


Fig. 6.

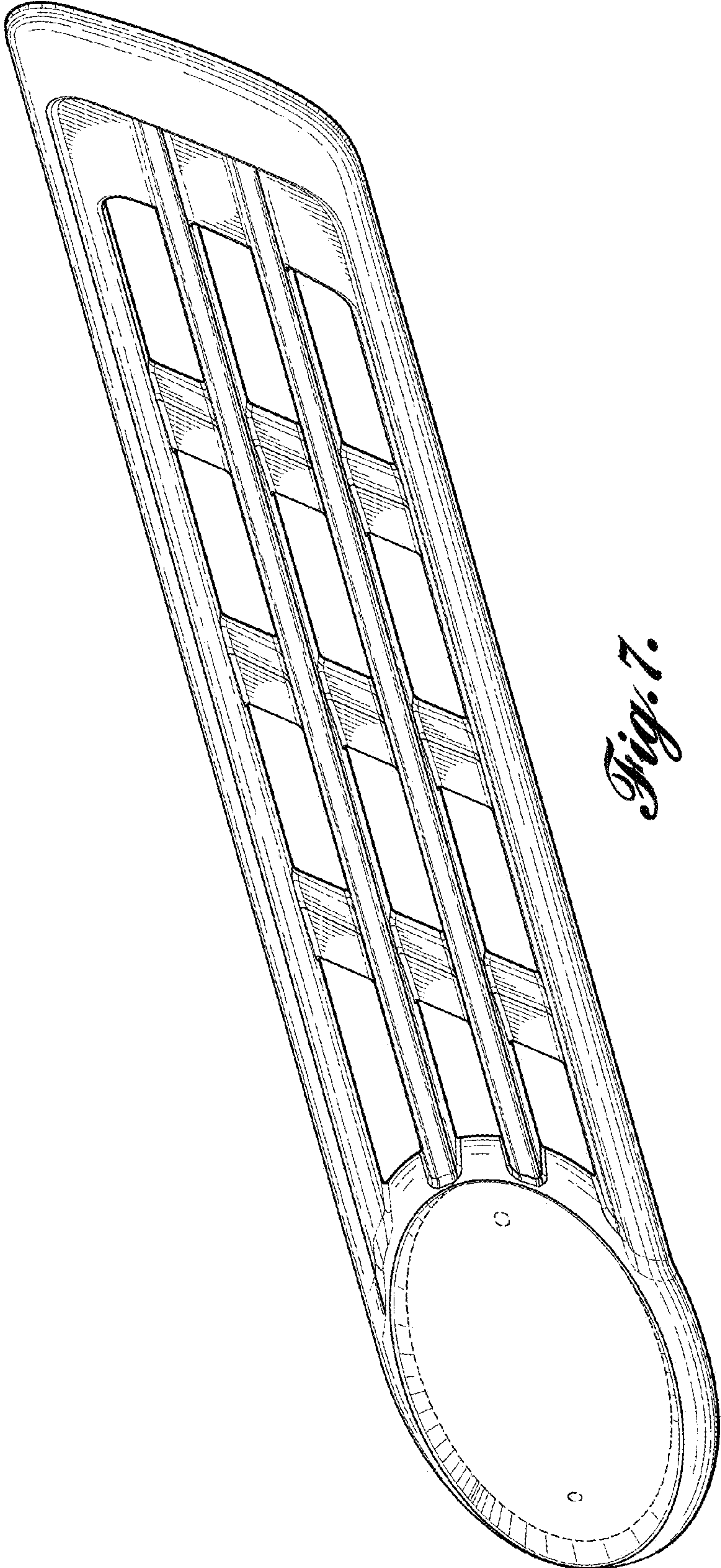


Fig. 7.

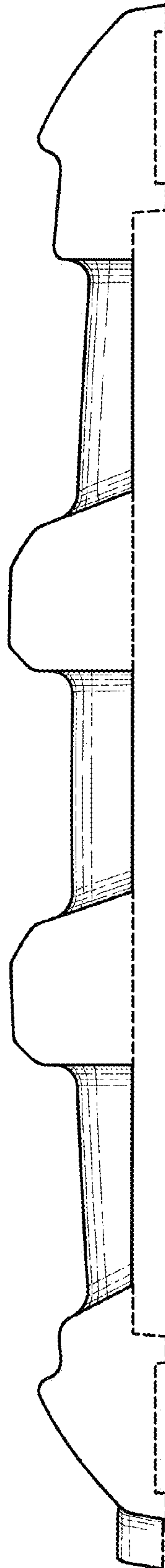


Fig. 8.