



US00D746199S

(12) **United States Design Patent**
Iwauchi et al.

(10) **Patent No.:** **US D746,199 S**
(45) **Date of Patent:** **** Dec. 29, 2015**

- (54) **MOTOR VEHICLE**
- (71) Applicant: **MAZDA MOTOR CORPORATION**,
Hiroshima (JP)
- (72) Inventors: **Yoshito Iwauchi**, Hiroshima (JP); **Yasuo Suzuki**, Hiroshima (JP); **Yuuji Ishimoto**, Hiroshima (JP); **Eijirou Mitsuyasu**, Hiroshima (JP)
- (73) Assignee: **MAZDA MOTOR CORPORATION**,
Hiroshima (JP)
- (**) Term: **14 Years**
- (21) Appl. No.: **29/499,443**
- (22) Filed: **Aug. 14, 2014**
- (30) **Foreign Application Priority Data**
Feb. 19, 2014 (JP) D2014-003328
- (51) **LOC (10) Cl.** **12-16**
- (52) **U.S. Cl.**
USPC **D12/190**
- (58) **Field of Classification Search**
USPC D12/190, 106, 181, 191, 196, 400, 88
CPC B60R 19/52; B60J 10/02
See application file for complete search history.

D587,636 S *	3/2009	Kanno	D12/163
D636,788 S *	4/2011	Luxon	D12/400
D679,632 S *	4/2013	Iida	D12/163
D692,358 S *	10/2013	Nakamuta	D12/190
D696,993 S *	1/2014	Tomatsu	D12/190
D705,705 S *	5/2014	Matsumoto	D12/169
D709,419 S *	7/2014	Watkins	D12/190
D709,420 S *	7/2014	Watkins	D12/190
D714,197 S *	9/2014	Matsumoto	D12/190

FOREIGN PATENT DOCUMENTS

EM	001747403-0001	11/2012
EM	001747502-0001	11/2012

* cited by examiner

Primary Examiner — Katrina A Betton

(74) *Attorney, Agent, or Firm* — Studebaker & Brackett PC

(57) **CLAIM**

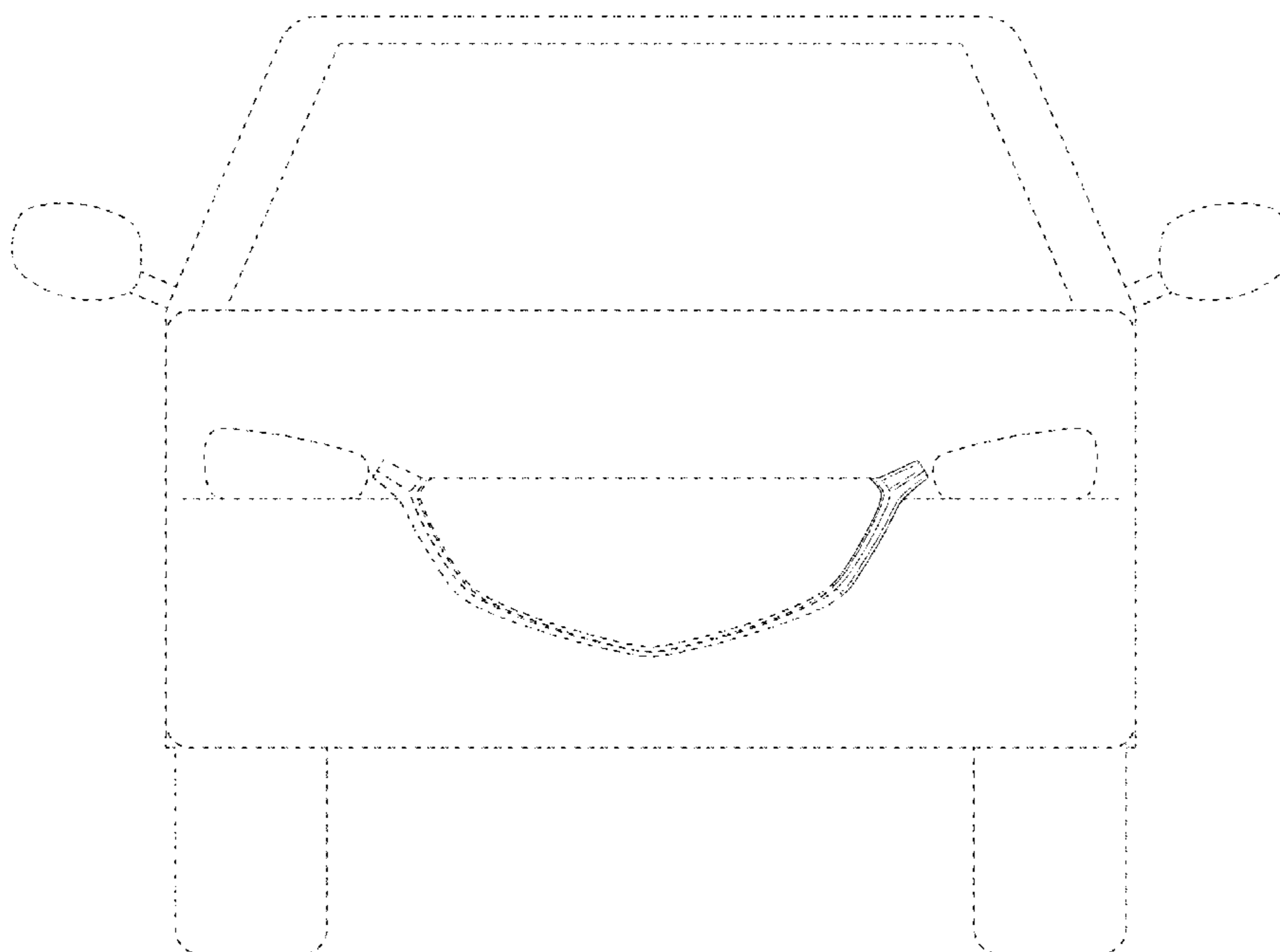
The ornamental design for a motor vehicle, as shown and described.

DESCRIPTION

FIG. 1 is a first perspective view of a motor vehicle;
 FIG. 2 is a second perspective view thereof;
 FIG. 3 is a front view thereof;
 FIG. 4 is a left side view thereof;
 FIG. 5 is a top view thereof;
 FIG. 6 is an enlarged perspective view of FIG. 1 thereof;
 FIG. 7 is an enlarged perspective view of FIG. 2 thereof; and,
 FIG. 8 is an enlarged left side view.
 The portion shown by broken lines is for illustrative purposes only and forms no part of the claimed design.

1 Claim, 7 Drawing Sheets

- (56) **References Cited**
U.S. PATENT DOCUMENTS
D180,755 S * 8/1957 Voss D12/163
D543,914 S * 6/2007 Lai D12/181



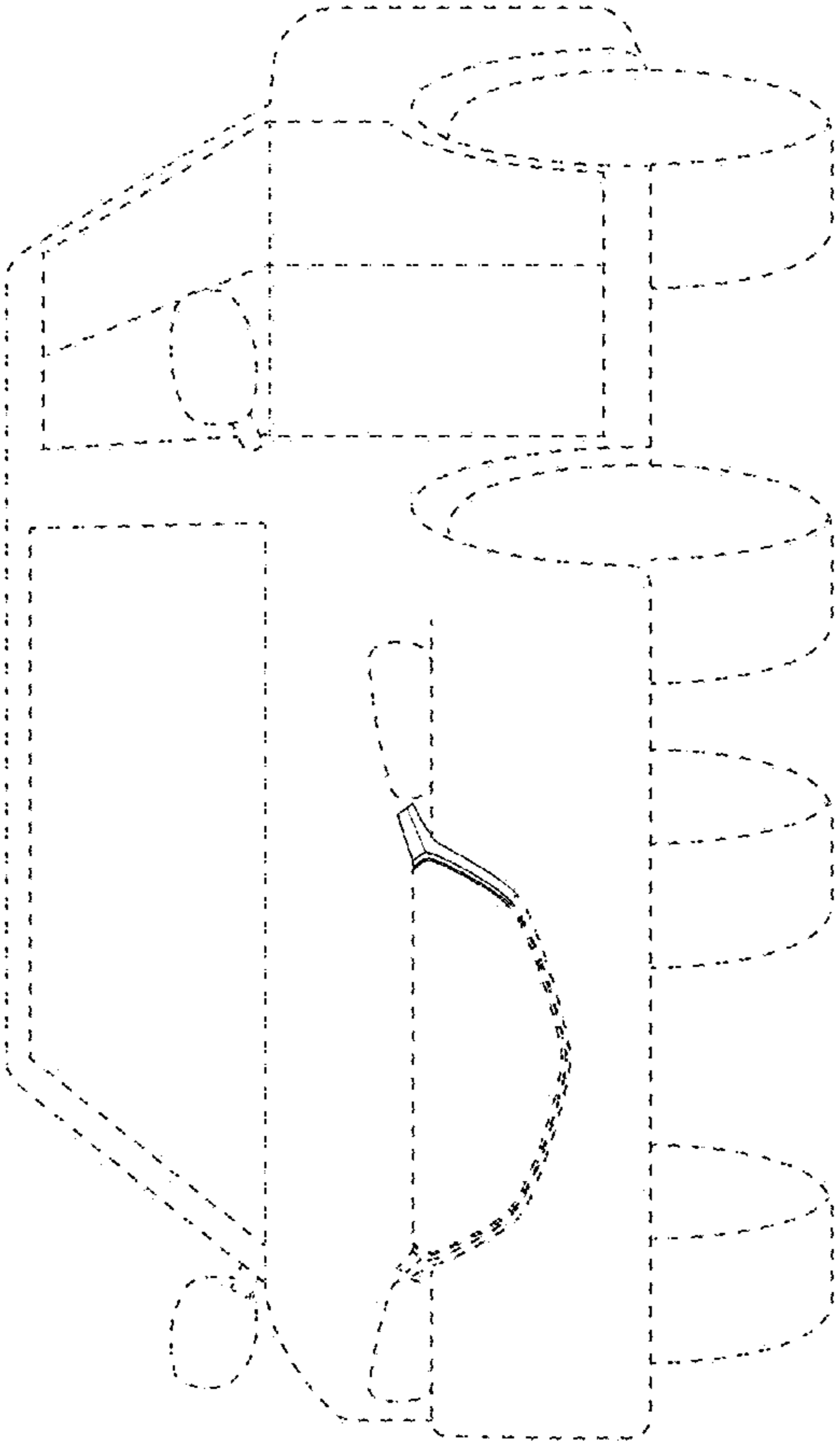


FIG. 1

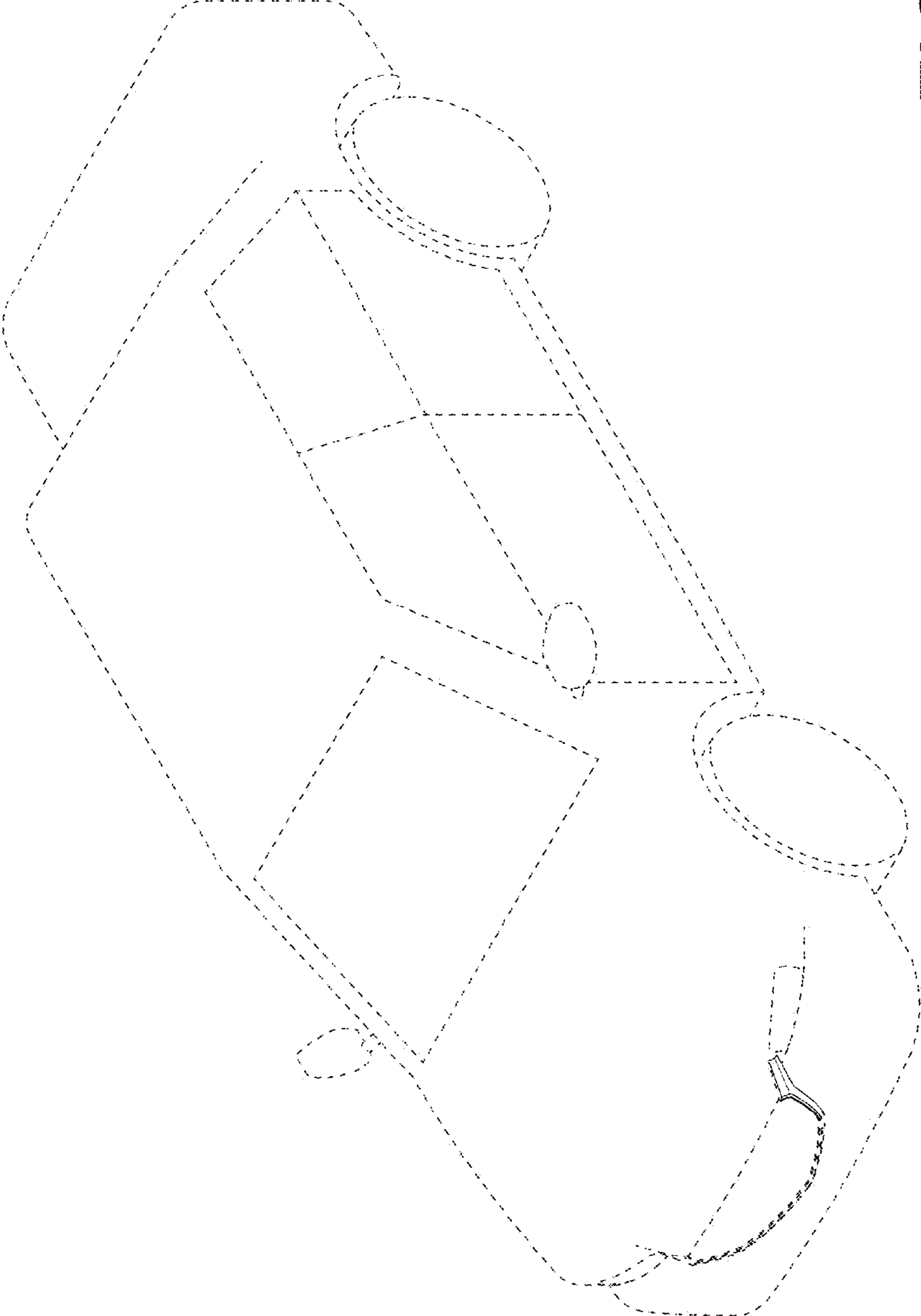


FIG. 2

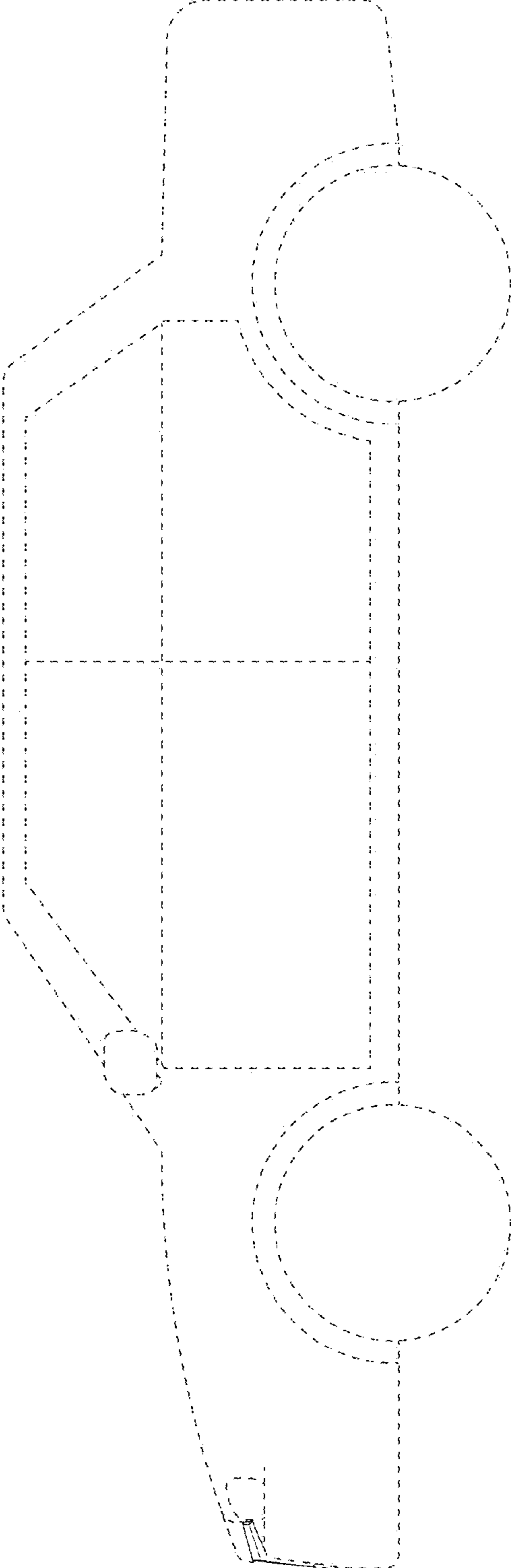


FIG.3

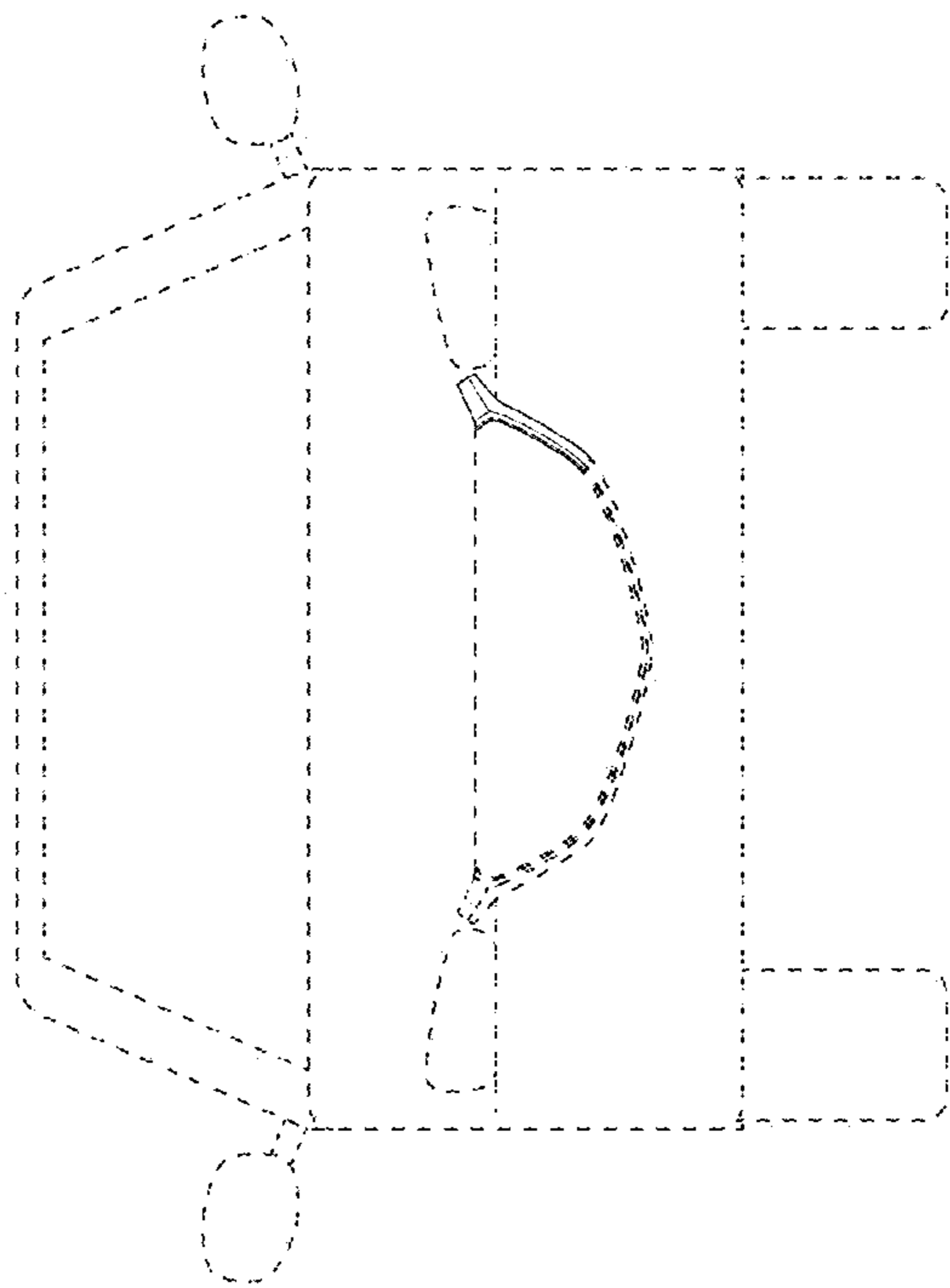


FIG. 4

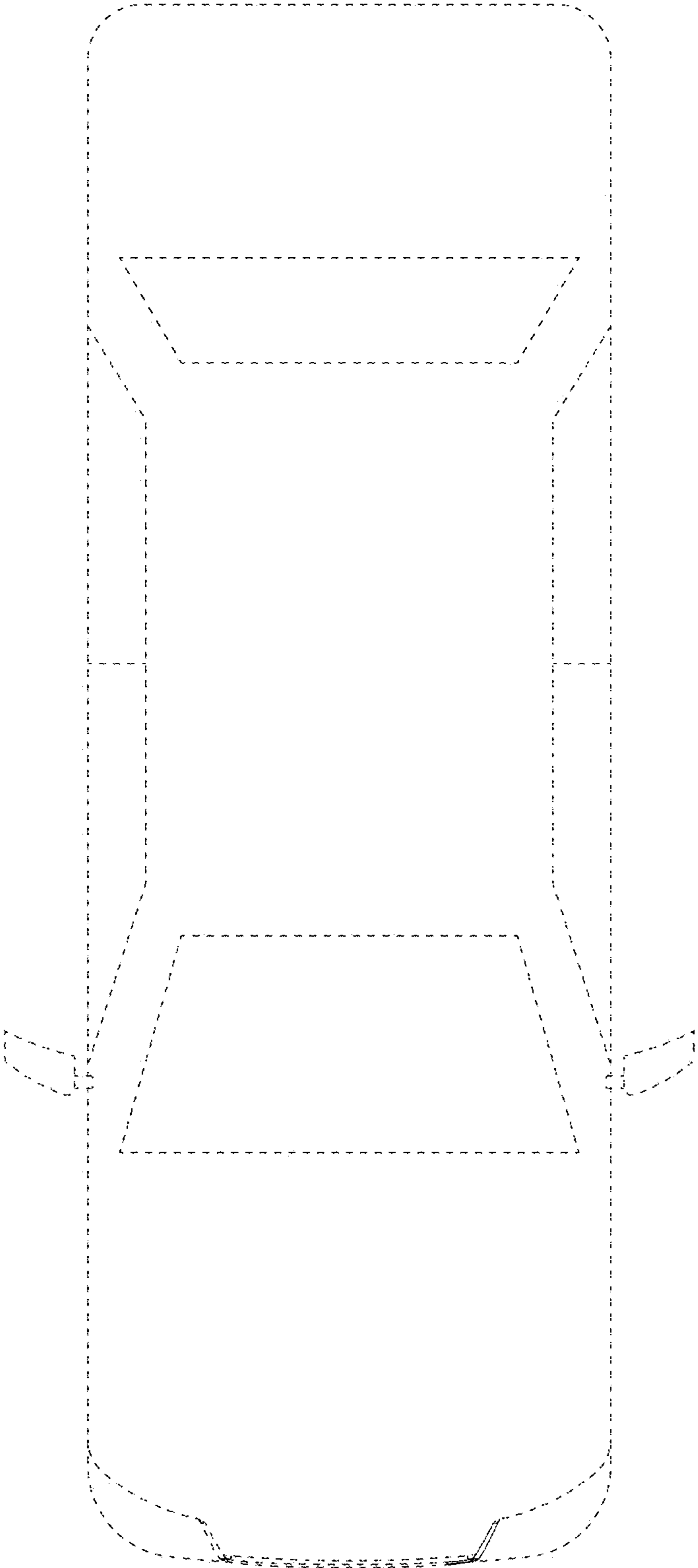


FIG. 5

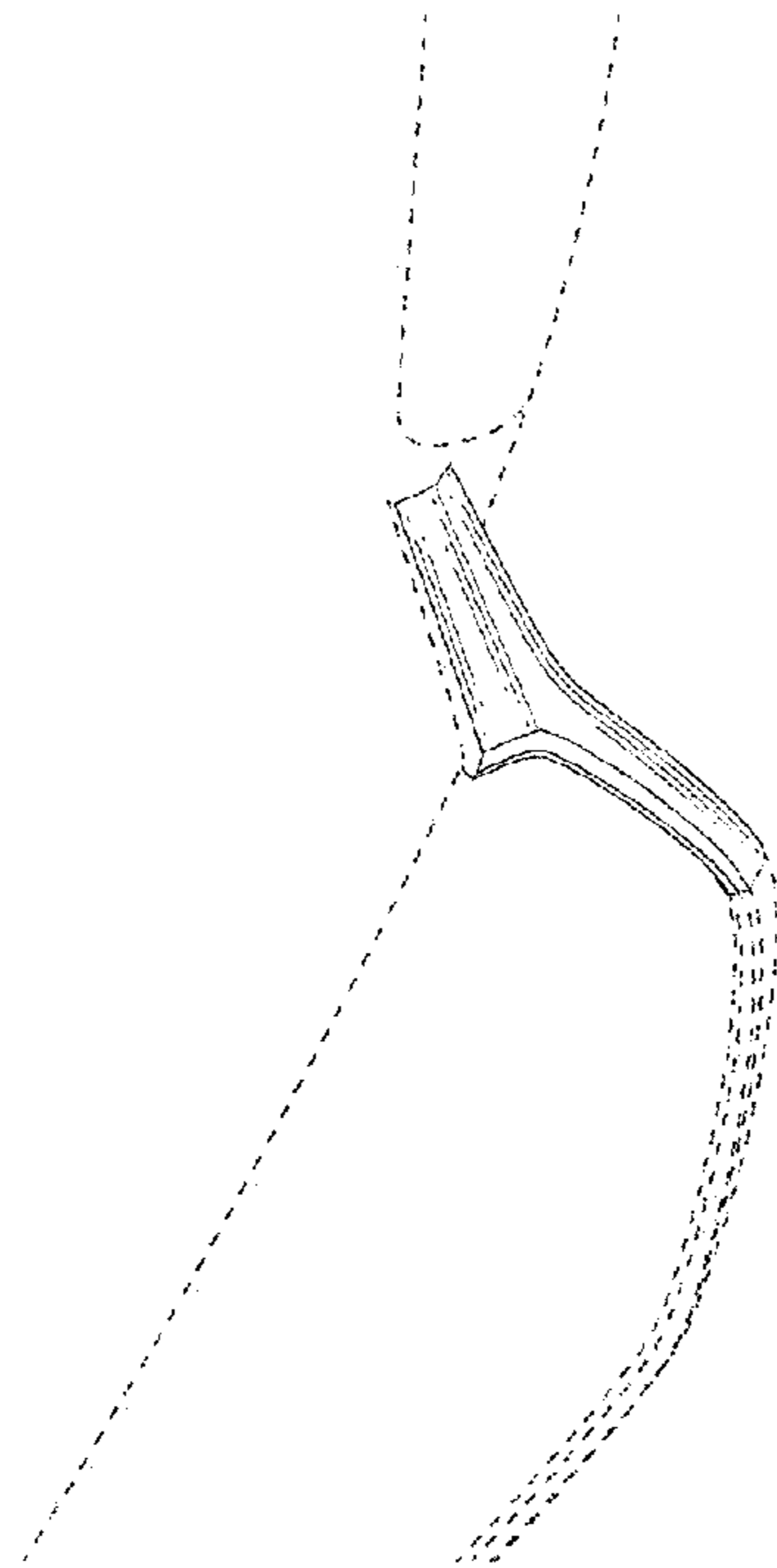


FIG.6

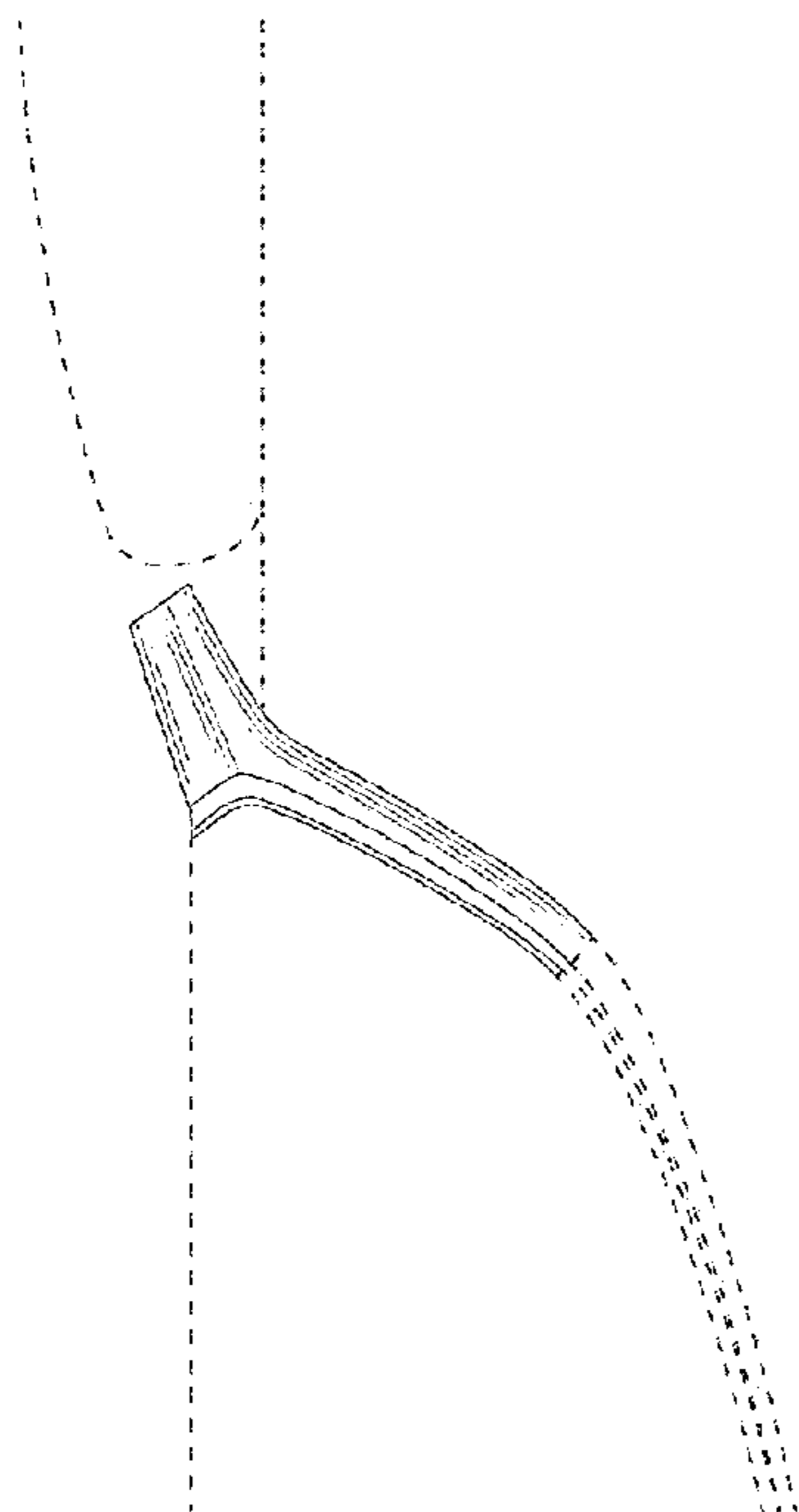


FIG.7

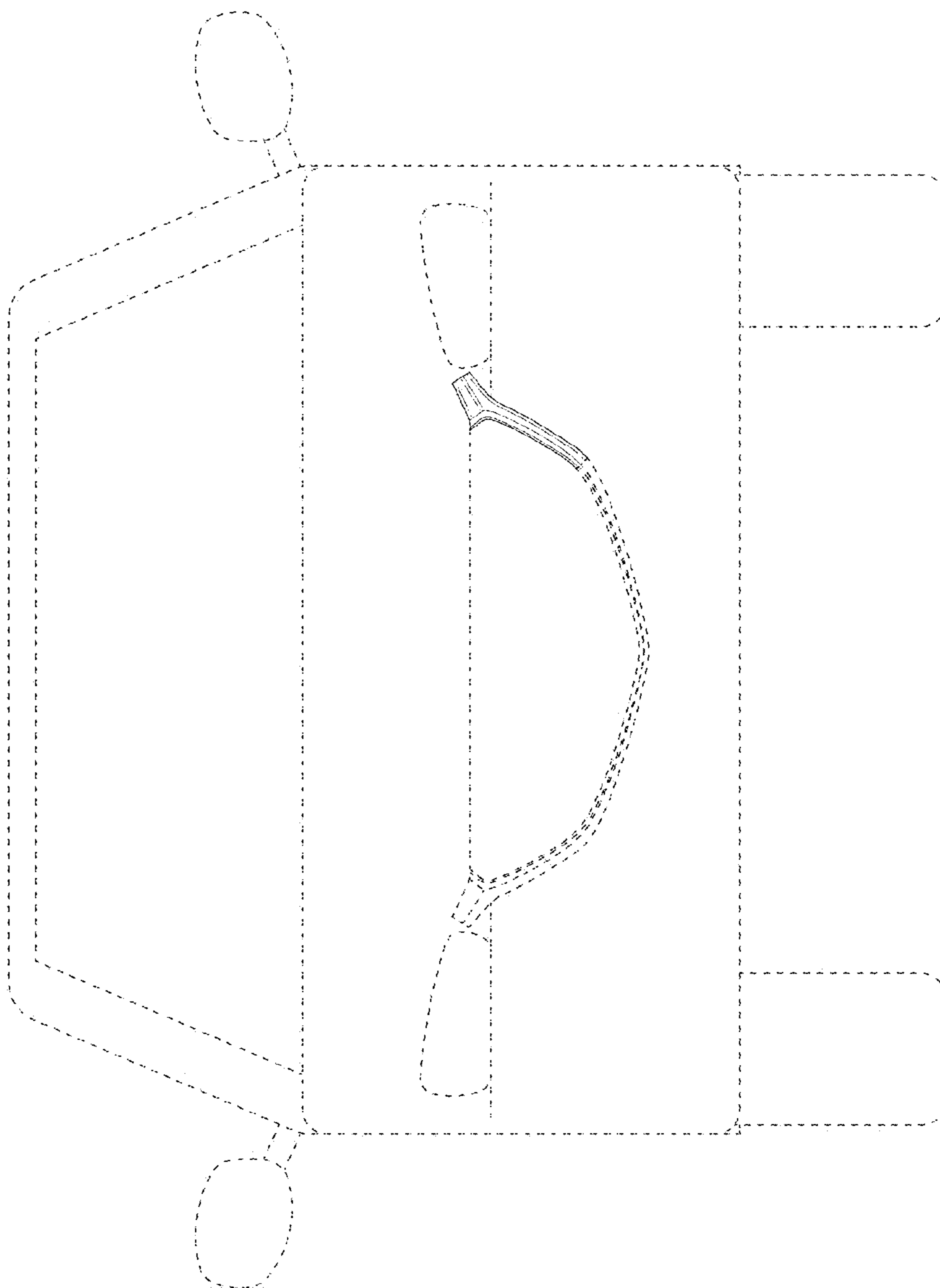


FIG. 8