



US00D746198S

(12) **United States Design Patent**
Hamlin et al.

(10) **Patent No.:** **US D746,198 S**

(45) **Date of Patent:** **** Dec. 29, 2015**

- (54) **INSIDE REARVIEW ASSEMBLY**
- (71) Applicant: **Gentex Corporation**, Zeeland, MI (US)
- (72) Inventors: **Bradley R. Hamlin**, Allendale, MI (US);
Richard T. Fish, Jr., Hudsonville, MI (US)
- (73) Assignee: **GENTEX CORPORATION**, Zeeland, MI (US)
- (**) Term: **14 Years**
- (21) Appl. No.: **29/513,519**
- (22) Filed: **Dec. 31, 2014**
- (51) **LOC (10) Cl.** **12-16**
- (52) **U.S. Cl.**
USPC **D12/187**
- (58) **Field of Classification Search**
USPC D12/187, 188, 189; D6/300, 306
CPC B60R 1/076; G02B 7/18; G02B 5/08;
G02B 7/182
See application file for complete search history.

- D498,446 S * 11/2004 Bradley D12/187
- D499,678 S * 12/2004 Bradley D12/187
- 6,902,284 B2 6/2005 Hutzet et al.
- D553,061 S 10/2007 Schmidt et al.
- D556,105 S * 11/2007 Carter et al. D12/187
- D556,106 S * 11/2007 Carter et al. D12/187
- D659,617 S * 5/2012 Brockington et al. D12/187
- D712,325 S * 9/2014 Bohanan et al. D12/187
- D724,508 S * 3/2015 Bohanan et al. D12/187
- D724,509 S * 3/2015 Bohanan et al. D12/187
- 2014/0192431 A1 7/2014 Sloterbeek et al.

* cited by examiner

Primary Examiner — Katrina A Betton

(74) *Attorney, Agent, or Firm* — Price Heneveld LLP; Scott P. Ryan

(57) **CLAIM**

We claim the ornamental design for an inside rearview assembly, as shown and described.

DESCRIPTION

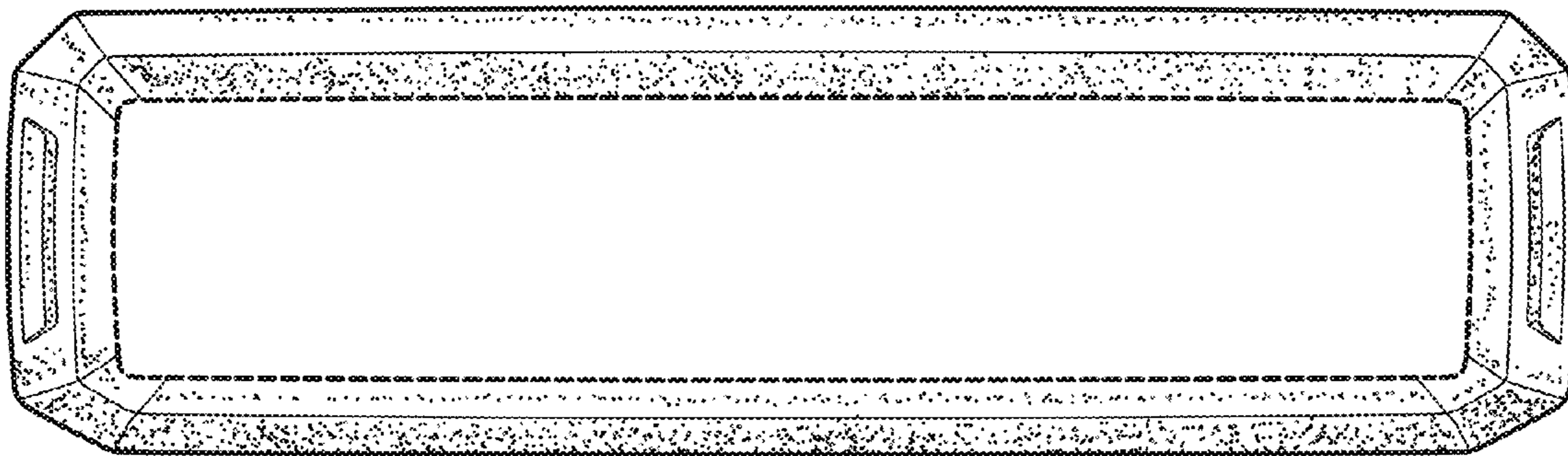
FIG. 1 is a front perspective view of an inside rearview assembly of the present disclosure;
 FIG. 2 is a front elevational view of the inside rearview assembly of FIG. 1;
 FIG. 3 is a side elevational view of the inside rearview assembly of FIG. 1;
 FIG. 4 is a top plan view of the inside rearview assembly of FIG. 1; and,
 FIG. 5 is a bottom plan view of the inside rearview assembly of FIG. 1.
 In the drawings, the broken lines depict portions of the article that form no part of the claimed design.

1 Claim, 2 Drawing Sheets

(56) **References Cited**

U.S. PATENT DOCUMENTS

- D283,998 S 5/1986 Tanaka
- 4,630,904 A 12/1986 Pastore
- D346,356 S 4/1994 Leu
- D400,481 S 11/1998 Stephens et al.
- D401,200 S 11/1998 Huang
- D451,869 S * 12/2001 Knapp et al. D12/187
- D471,847 S 3/2003 Rumsey et al.
- D493,131 S 7/2004 Lawlor et al.
- D493,394 S 7/2004 Lawlor et al.



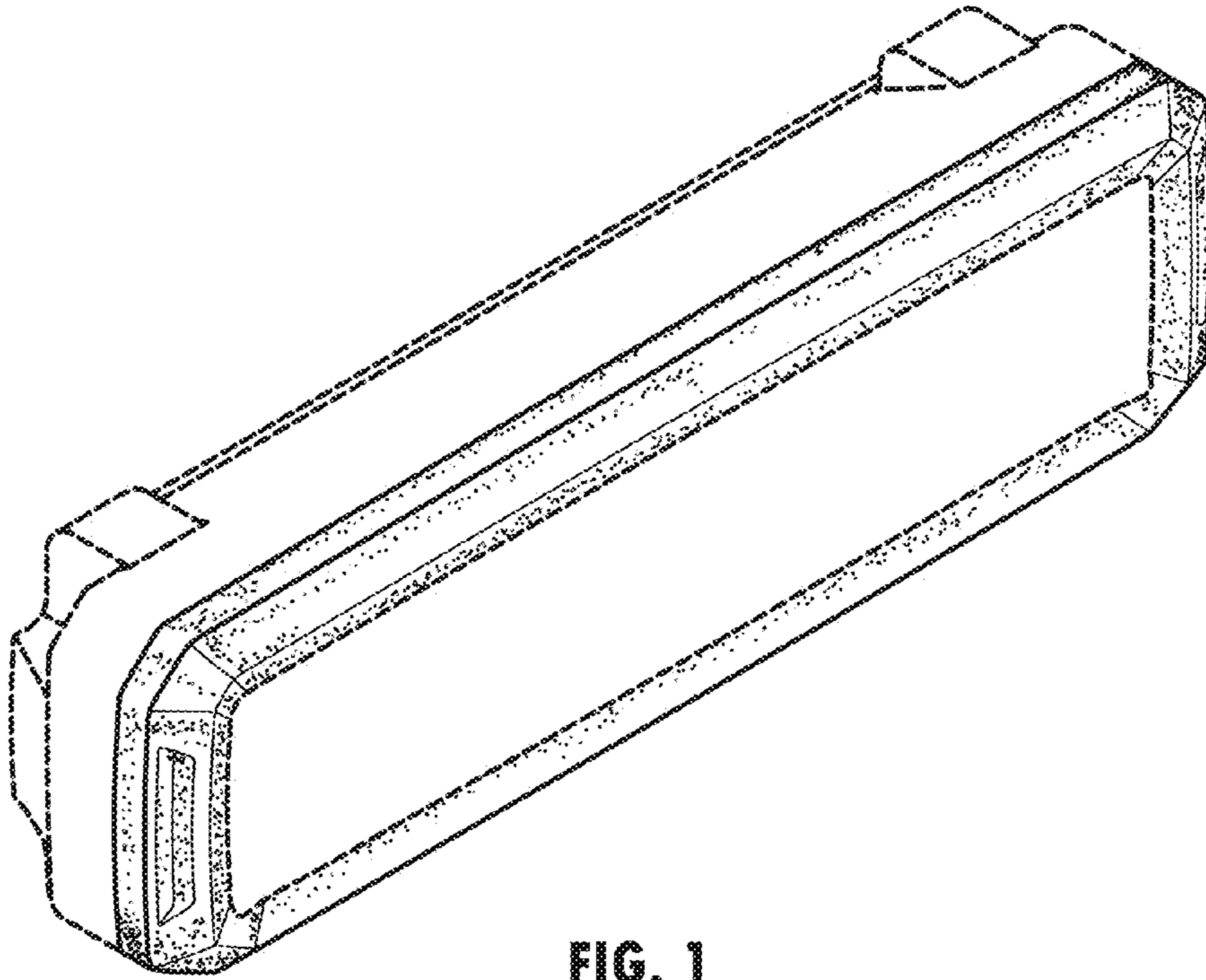


FIG. 1

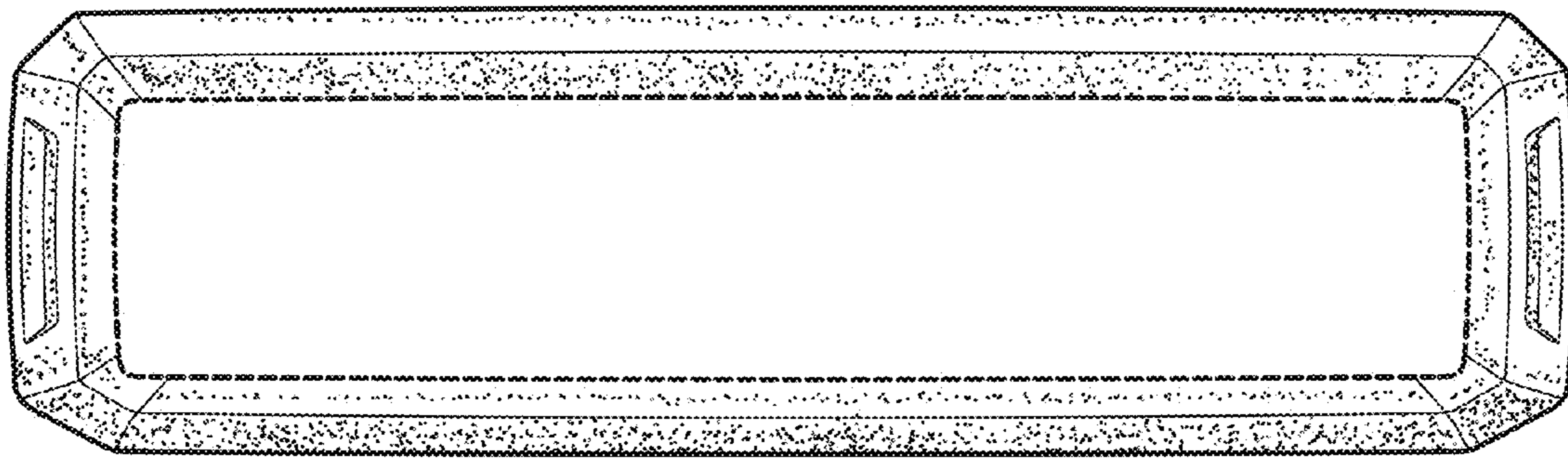


FIG. 2

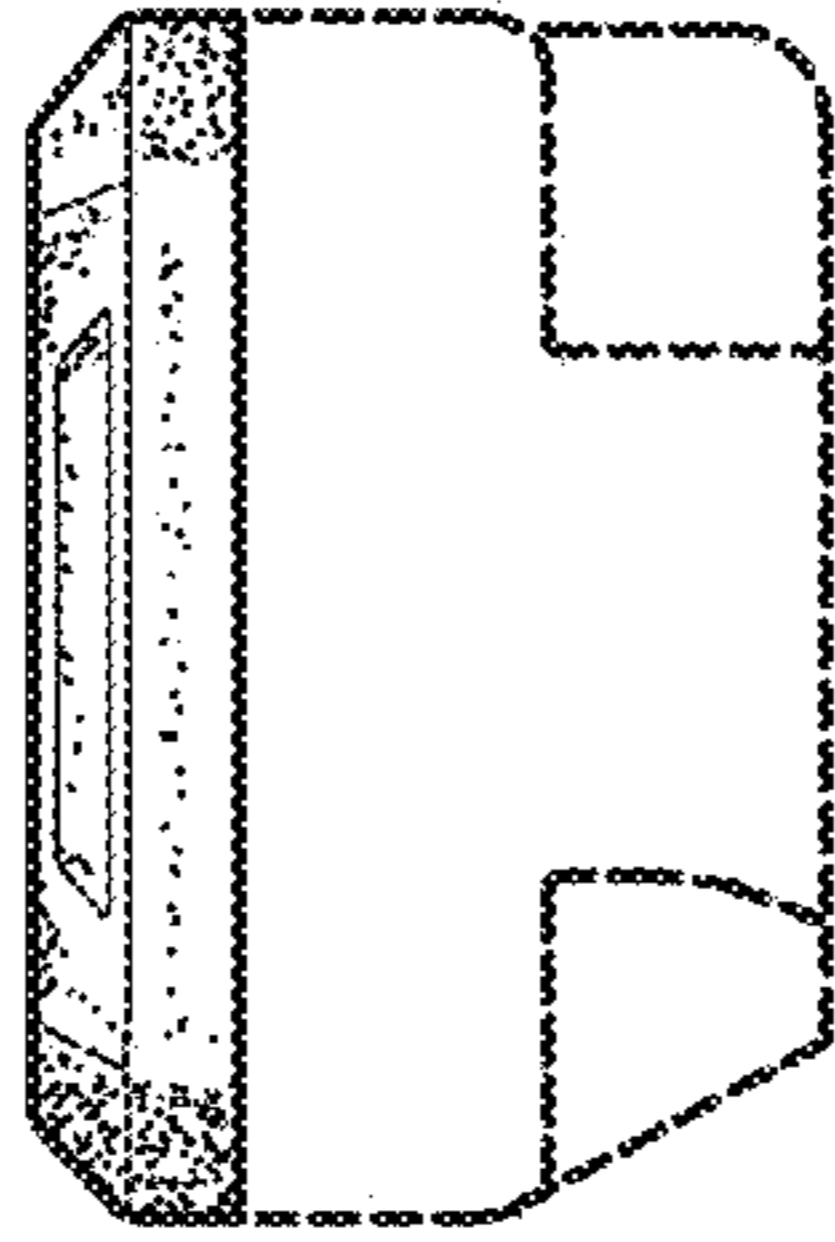


FIG. 3

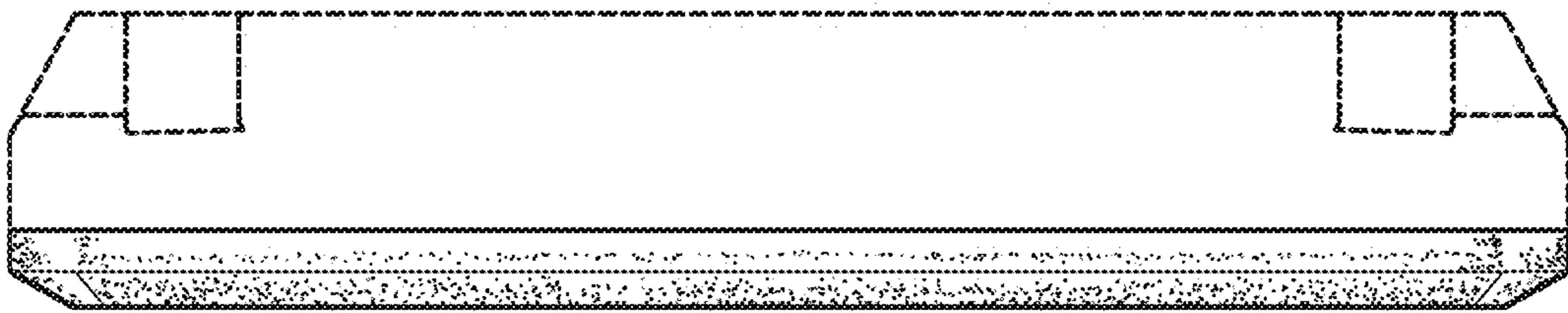


FIG. 4

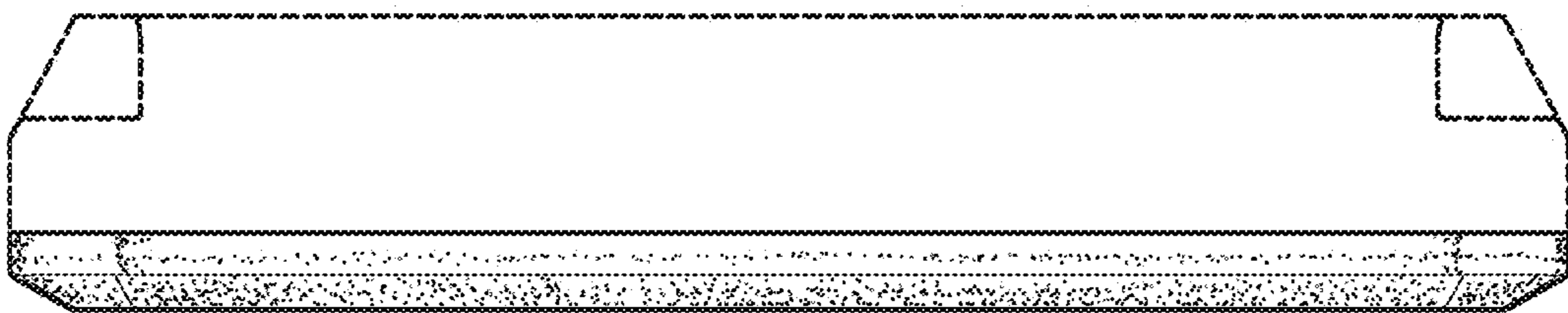


FIG. 5