



US00D746197S

(12) **United States Design Patent**
Nissl

(10) **Patent No.:** **US D746,197 S**
(45) **Date of Patent:** **** Dec. 29, 2015**

(54) **SIDE MIRROR FOR A VEHICLE**
(71) Applicant: **Bayerische Motoren Werke
Aktiengesellschaft, Munich (DE)**
(72) Inventor: **Florian Dieter Nissl, Munich (DE)**
(73) Assignee: **Bayerische Motoren Werke
Aktiengesellschaft, Munich (DE)**

(**) Term: **14 Years**
(21) Appl. No.: **29/512,115**
(22) Filed: **Dec. 17, 2014**

(30) **Foreign Application Priority Data**
Jun. 18, 2014 (DE) 40 2014 100 517
(51) **LOC (10) Cl.** **12-16**
(52) **U.S. Cl.**
USPC **D12/187**
(58) **Field of Classification Search**
USPC D12/187, 188, 189; D6/300, 306
CPC B60R 1/076; G02B 7/18; G02B 5/08;
G02B 7/182
See application file for complete search history.

(56) **References Cited**
U.S. PATENT DOCUMENTS
D451,869 S * 12/2001 Knapp et al. D12/187
D498,446 S * 11/2004 Bradley D12/187
D499,678 S * 12/2004 Bradley D12/187
D556,105 S * 11/2007 Carter et al. D12/187

D556,106 S * 11/2007 Carter et al. D12/187
D659,617 S * 5/2012 Brockington et al. D12/187
D712,325 S * 9/2014 Bohanan et al. D12/187
D724,508 S * 3/2015 Bohanan et al. D12/187
D724,509 S * 3/2015 Bohanan et al. D12/187

FOREIGN PATENT DOCUMENTS

EM 002281865-0002 5/2014
* cited by examiner

Primary Examiner — Katrina A Betton
(74) *Attorney, Agent, or Firm* — Crowell & Moring LLP

(57) **CLAIM**
The ornamental design for a side mirror for a vehicle, as shown and described.

DESCRIPTION

This application contains subject matter related to the following U.S. design patent applications:
Application Ser. No. 29/512,110, filed herewith and entitled "Vehicle, Toy, and/or Replicas Thereof"; and,
Application Ser. No. 29/512,113, filed herewith and entitled "Vehicle, Toy, and/or Replicas Thereof".
FIG. 1 is a front view of a side mirror for a vehicle according to the design;
FIG. 2 is a front, right perspective view thereof;
FIG. 3 is a right side view thereof;
FIG. 4 is a rear, right perspective view thereof;
FIG. 5 is a rear view thereof;
FIG. 6 is a left side view thereof;
FIG. 7 is a top view thereof; and,
FIG. 8 is a bottom view thereof.

1 Claim, 8 Drawing Sheets

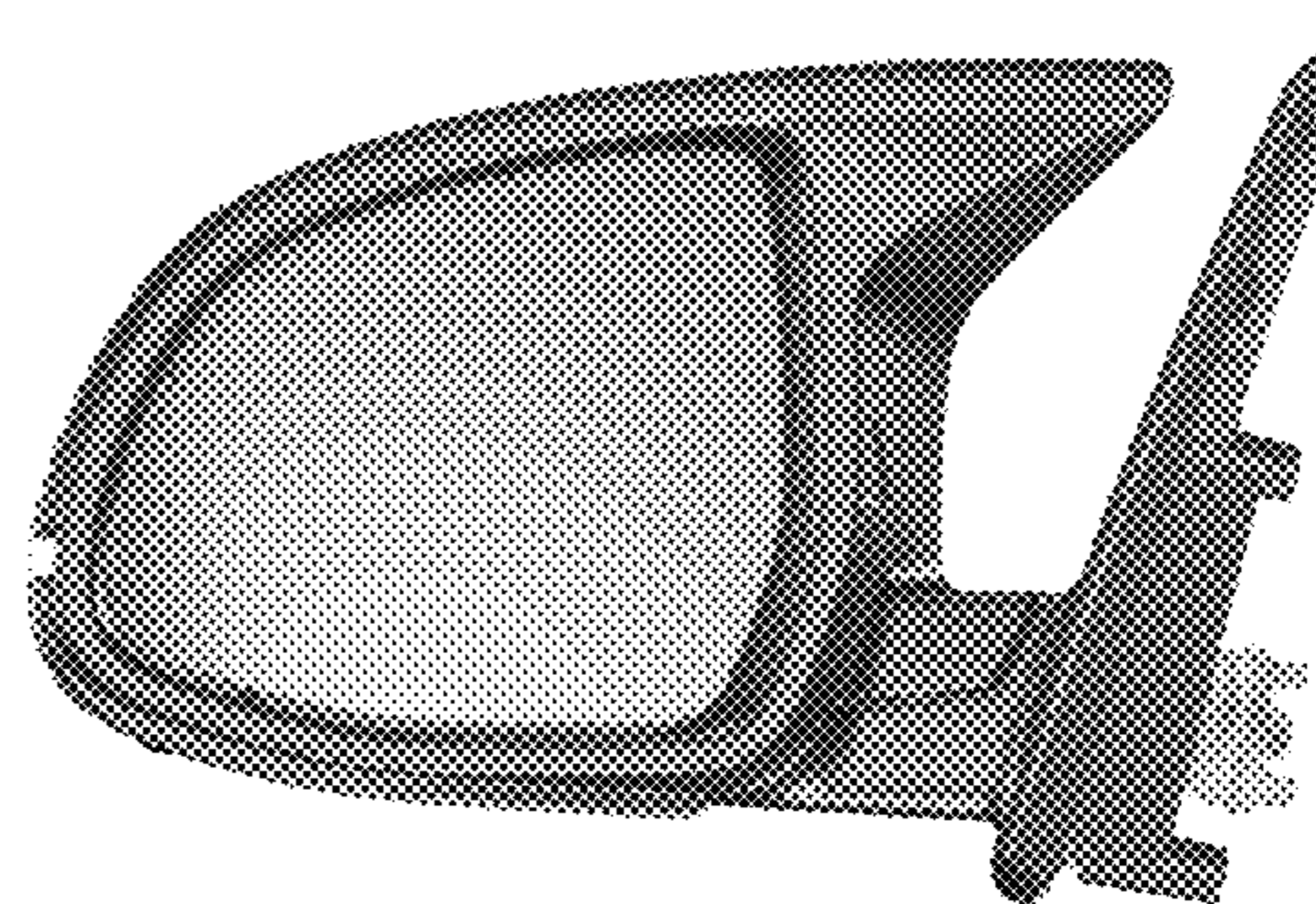
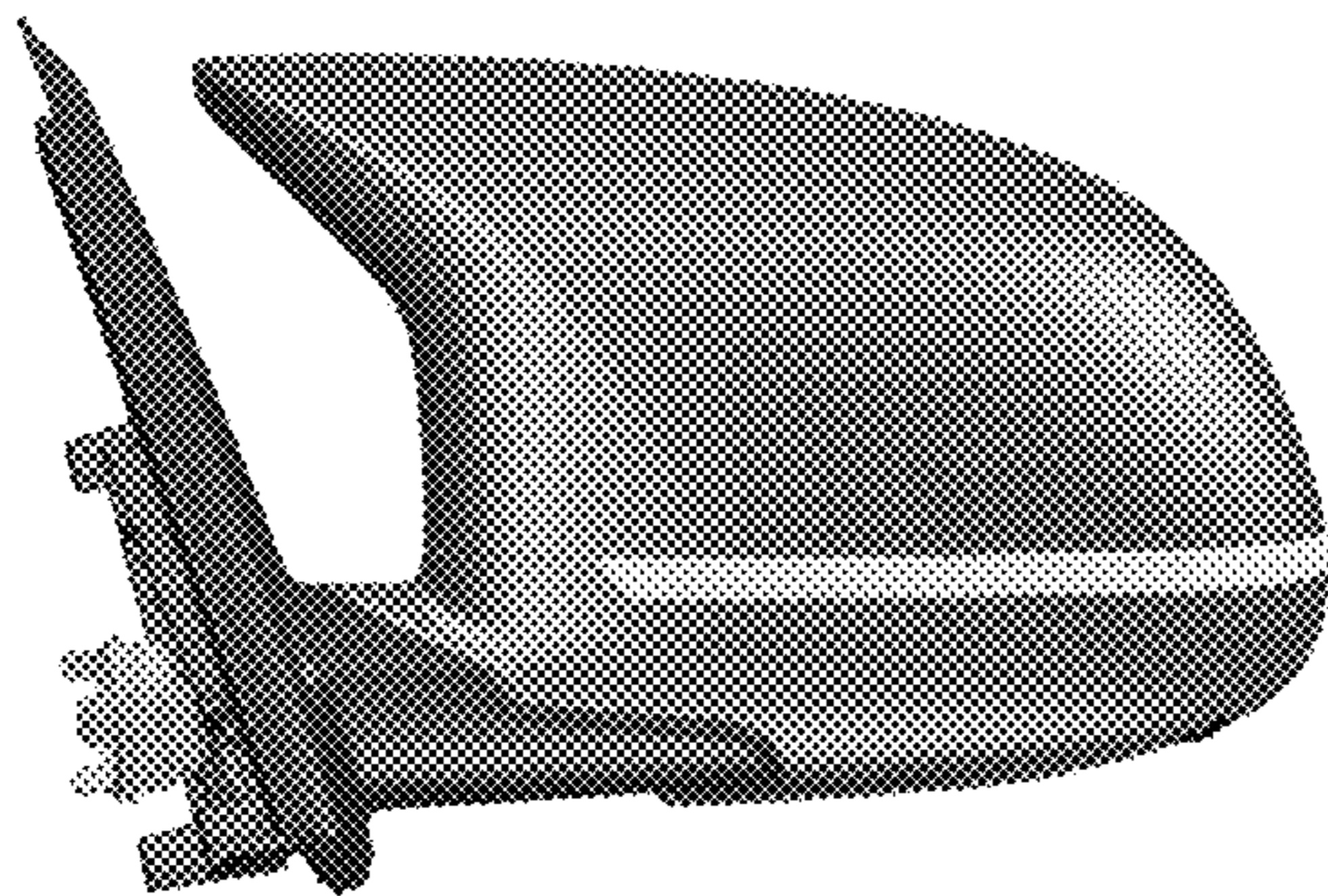




Fig. 1

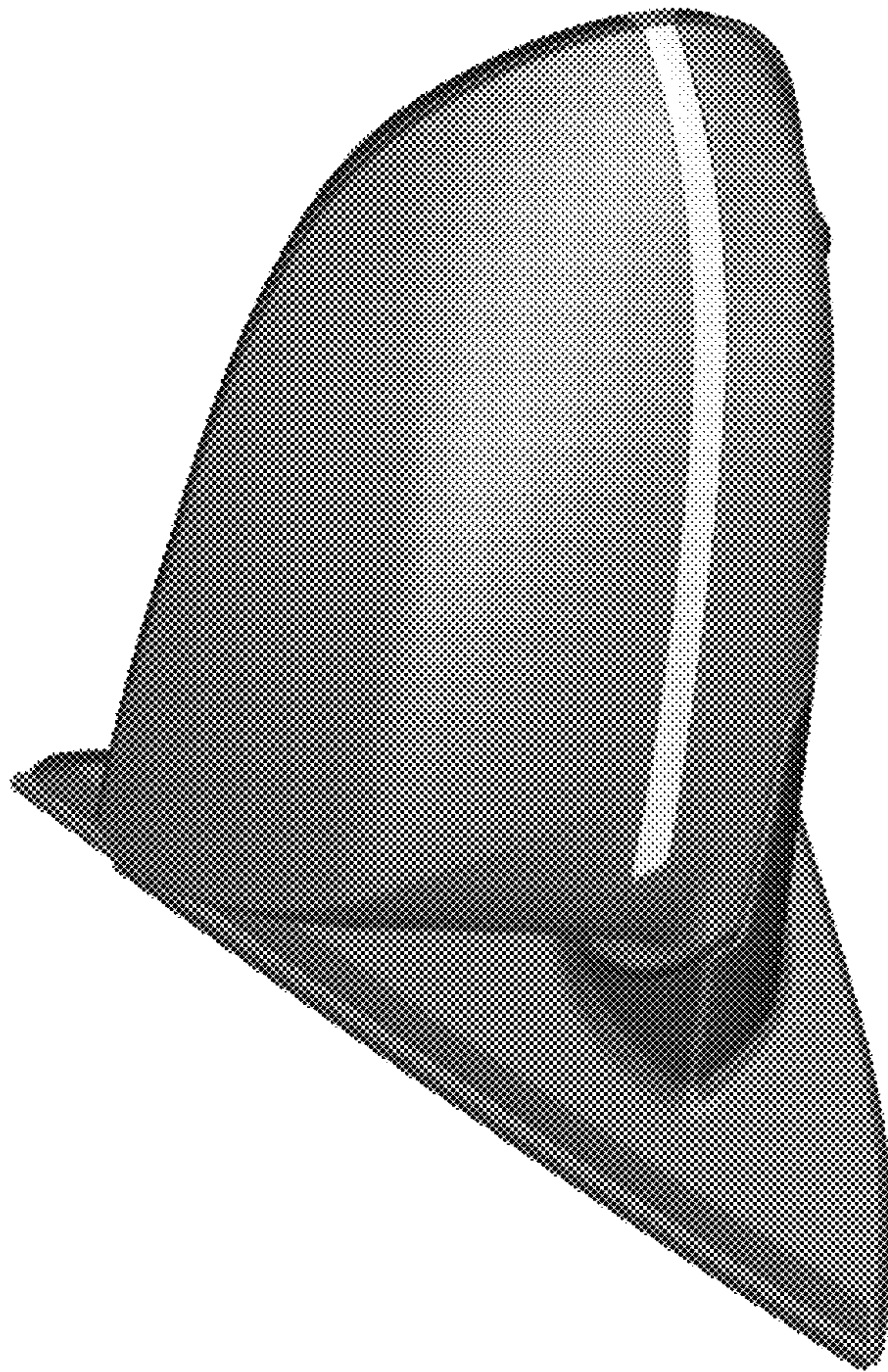


Fig. 2

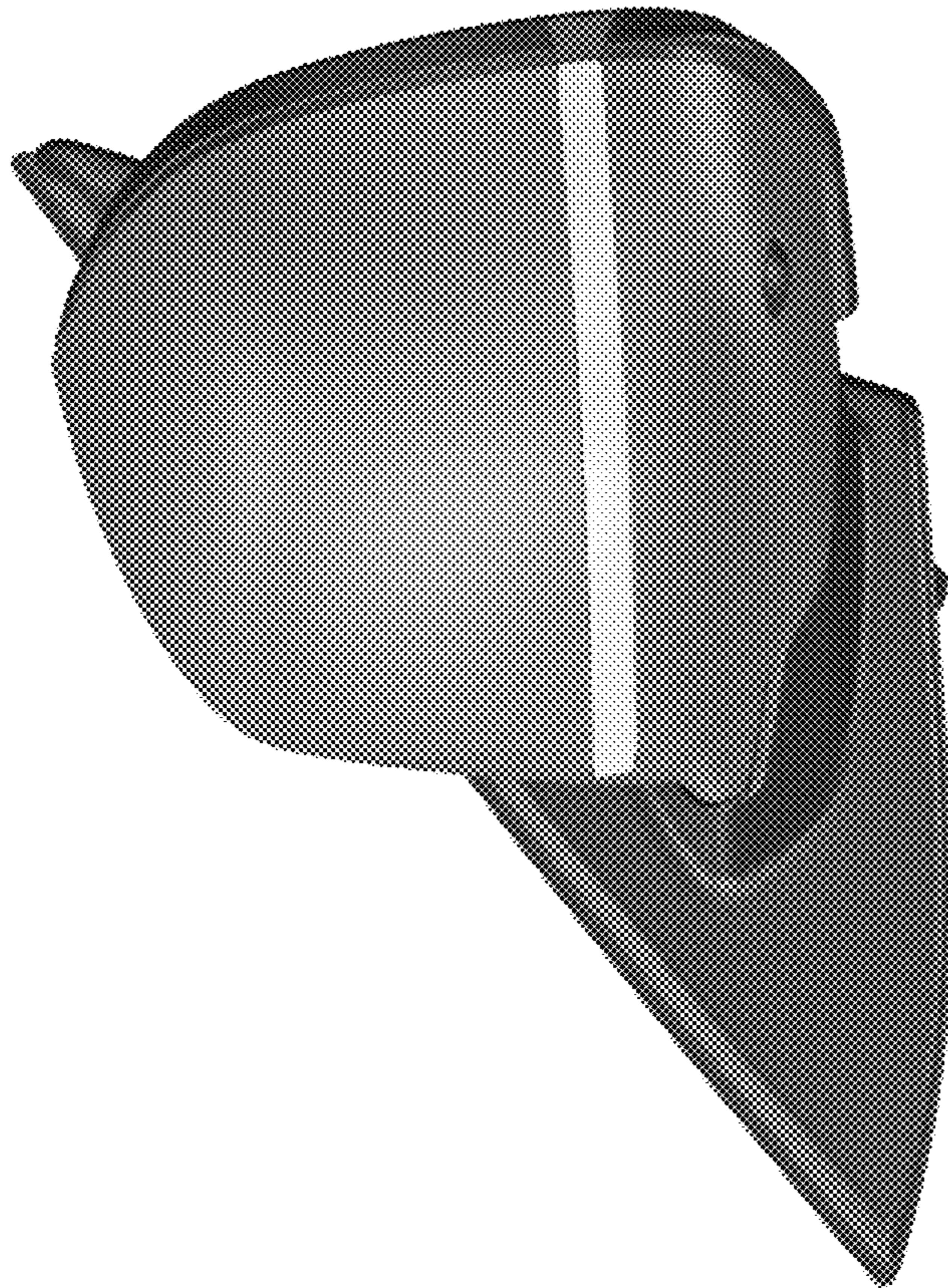


Fig. 3

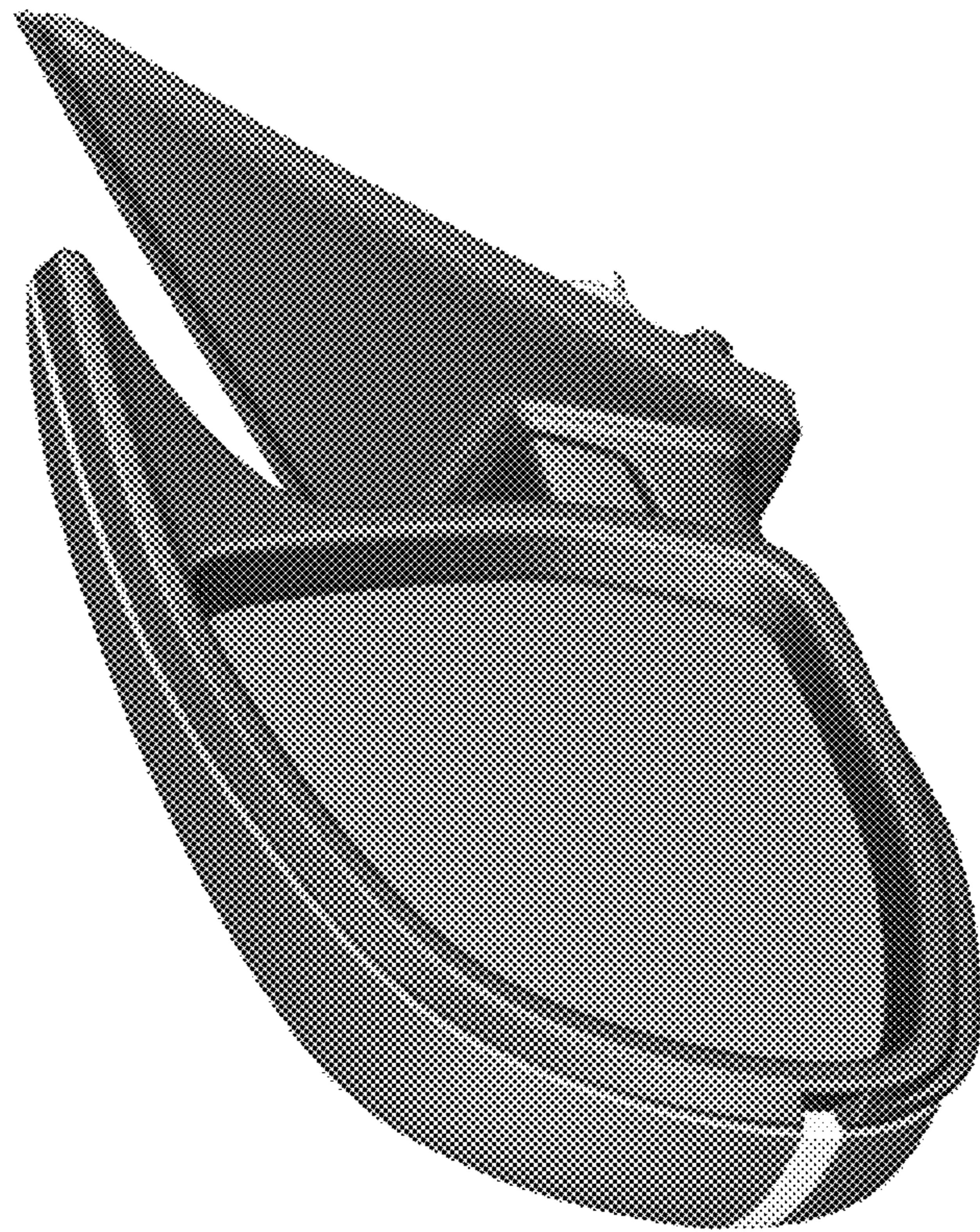


Fig. 4



Fig. 5

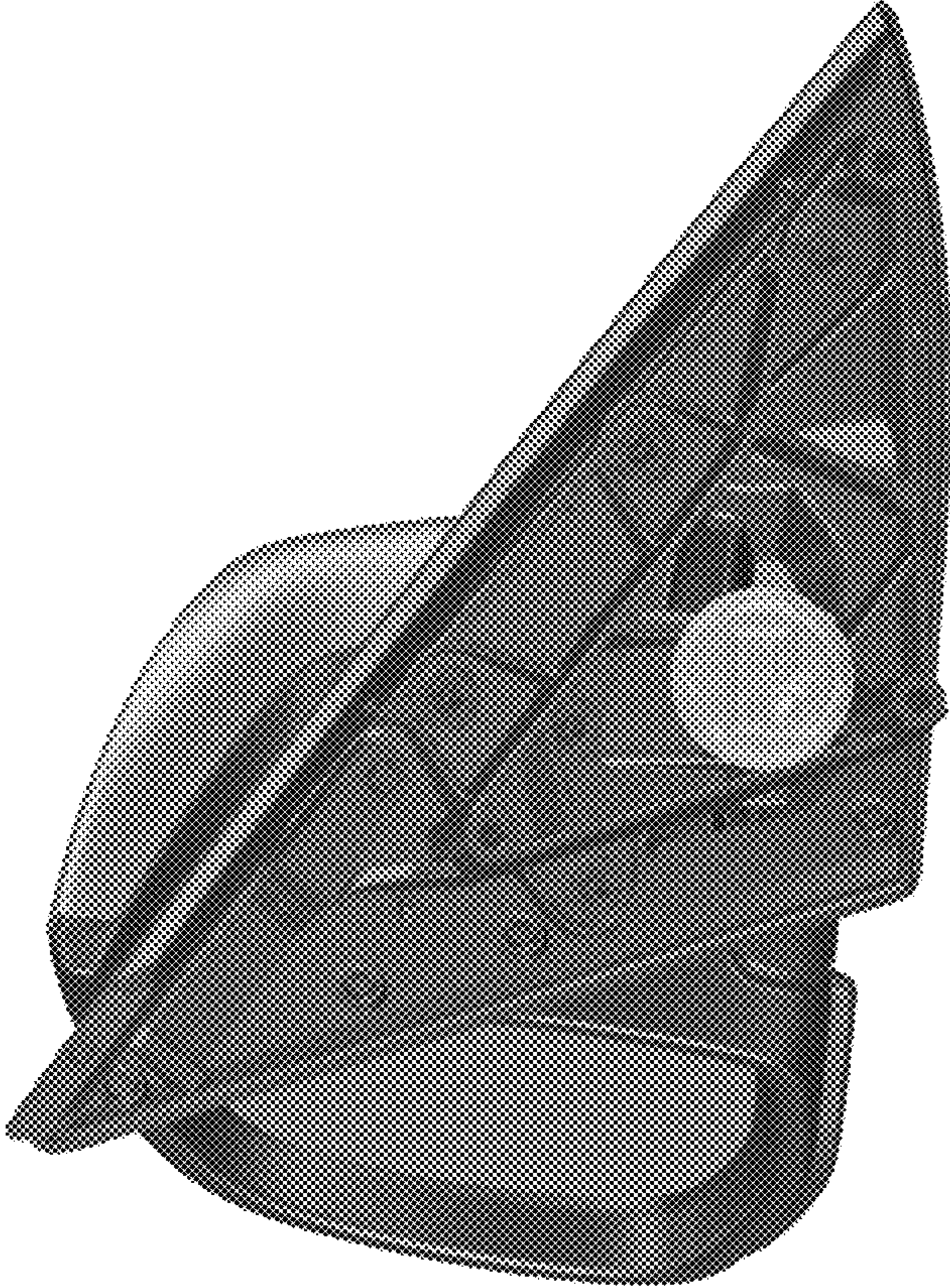


Fig. 6

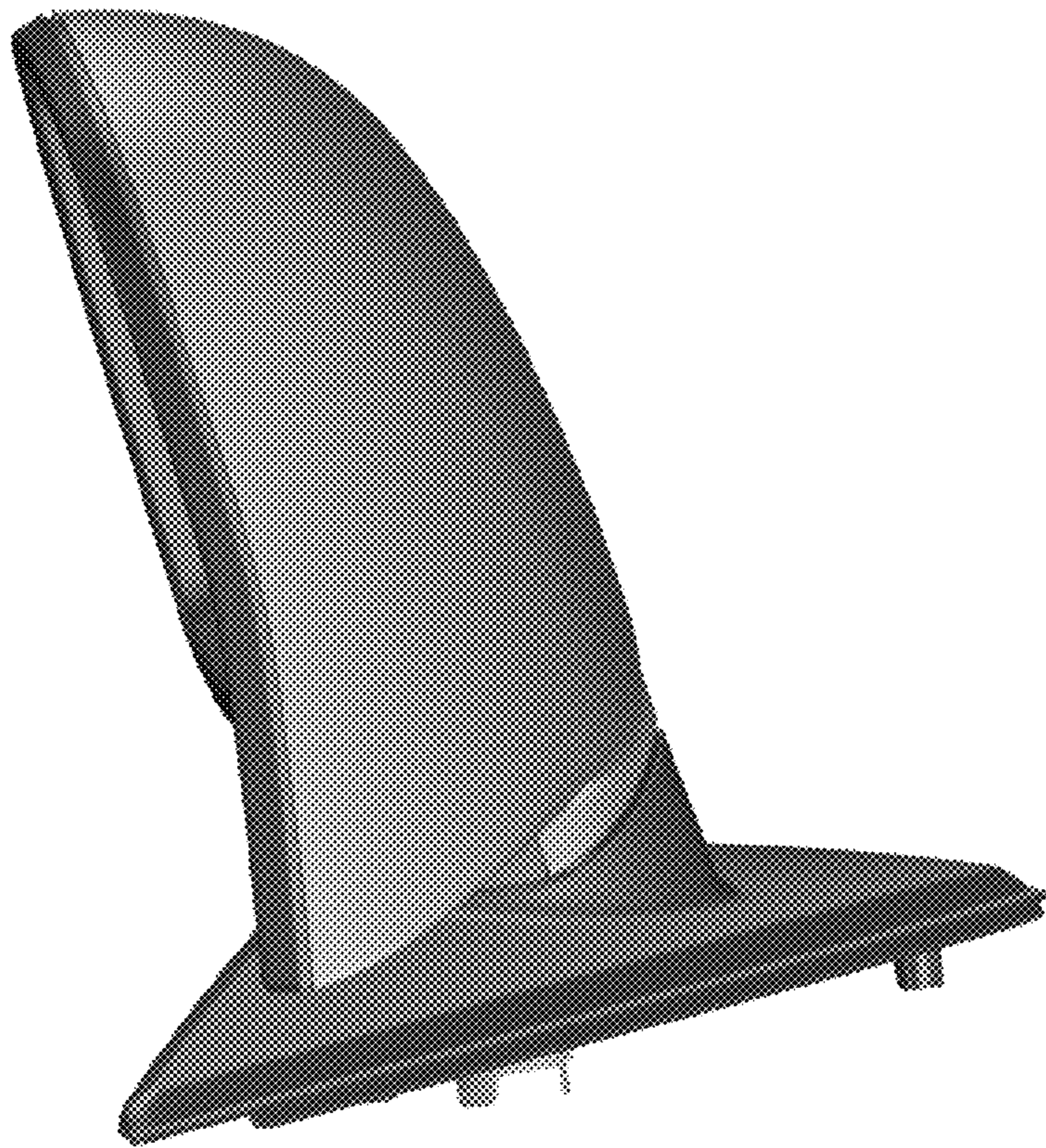


Fig. 7



Fig. 8