



US00D746187S

(12) **United States Design Patent**  
**Park et al.**

(10) **Patent No.:** **US D746,187 S**

(45) **Date of Patent:** **\*\* Dec. 29, 2015**

(54) **PARKING BUMPER**

(71) Applicant: **INCHEON PORT AUTHORITY,**  
Incheon (KR)

(72) Inventors: **Hong Nam Park,** Seoul (KR); **Jin Woo Park,** Gyeonggi-do (KR); **Sung Tae Yoon,** Incheon (KR); **Soung Woo Her,** Incheon (KR)

(73) Assignee: **INCHEON PORT AUTHORITY,**  
Incheon (KR)

(\*\*) Term: **14 Years**

(21) Appl. No.: **29/488,561**

(22) Filed: **Apr. 21, 2014**

(51) **LOC (10) Cl.** ..... **12-16**

(52) **U.S. Cl.**

USPC ..... **D12/167**

(58) **Field of Classification Search**

USPC ..... D12/167, 169, 170, 171; D25/119, 120,  
D25/123, 125, 126; 280/429, 770; 293/102,  
293/103, 115, 120, 121, 144; 296/136, 153

CPC ..... B60R 19/42; B60R 19/44; B60R 19/445;  
B60R 2019/026

See application file for complete search history.

(56) **References Cited**

**U.S. PATENT DOCUMENTS**

3,715,138 A \* 2/1973 Finkle ..... 293/1  
D281,061 S \* 10/1985 Tortolani ..... D12/167  
D282,732 S \* 2/1986 Luthe et al. .... D12/167  
D338,861 S \* 8/1993 Lataster ..... D12/167  
D368,060 S \* 3/1996 Perlman ..... D12/167

D446,484 S \* 8/2001 Martel ..... D12/167  
6,527,319 B1 \* 3/2003 Martel ..... 293/128  
7,527,320 B1 \* 5/2009 Nevell, Jr. .... 293/102  
D653,178 S \* 1/2012 Carducci ..... D12/167  
D709,806 S \* 7/2014 Musgrove ..... D12/167  
D718,195 S \* 11/2014 Hayes ..... D12/167  
2006/0017296 A1 \* 1/2006 Meltzer ..... 293/126  
2009/0195002 A1 \* 8/2009 Meyers ..... 293/122

\* cited by examiner

*Primary Examiner* — Philip S Hyder

*Assistant Examiner* — Darlington Ly

(74) *Attorney, Agent, or Firm* — Avery N. Goldstein; Blue  
Filament Law

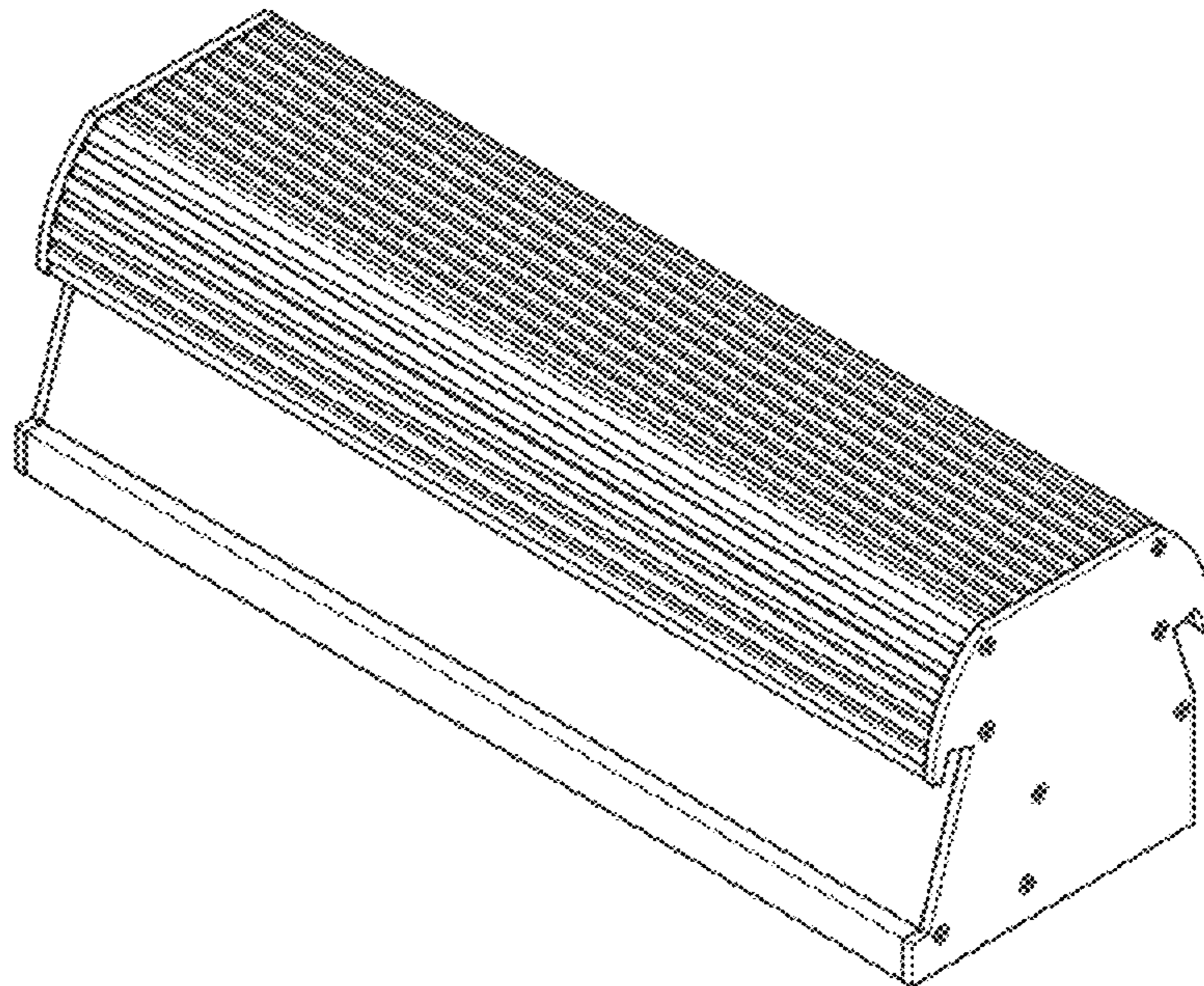
(57) **CLAIM**

The ornamental design for a parking bumper, as shown and  
described.

**DESCRIPTION**

FIG. 1 is a perspective view of an inventive parking bumper;  
FIG. 2 is a front view of the parking bumper depicted in FIG.  
**1**;  
FIG. 3 is a rear view of the parking bumper depicted in FIG.  
**1**;  
FIG. 4 is a left side view of the parking bumper depicted in  
FIG. 1;  
FIG. 5 is a right side view of the parking bumper depicted in  
FIG. 1;  
FIG. 6 is a top view of the parking bumper depicted in FIG. 1;  
and,  
FIG. 7 is a bottom view of the parking bumper depicted in  
FIG. 1.

**1 Claim, 3 Drawing Sheets**



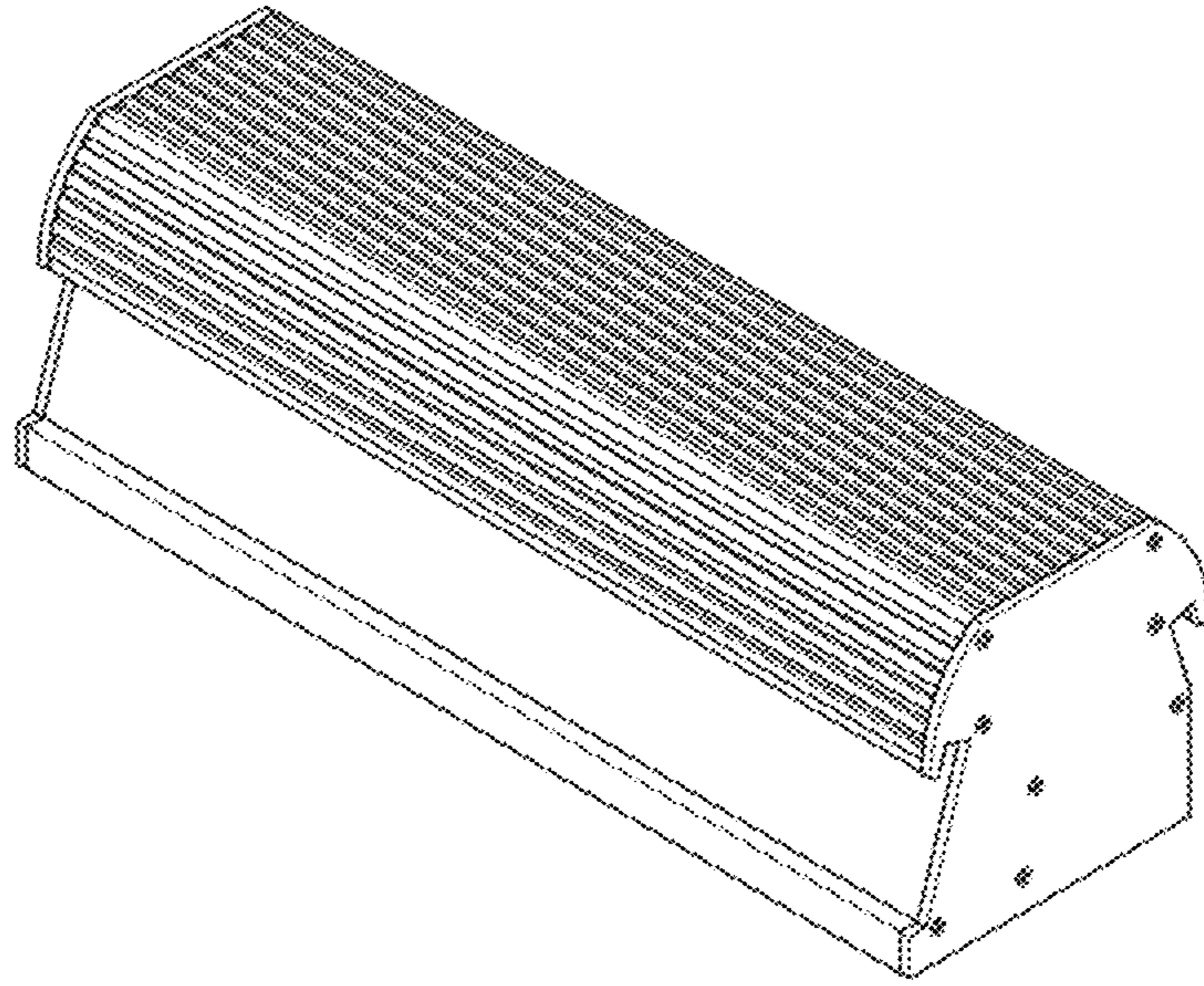


FIG. 1

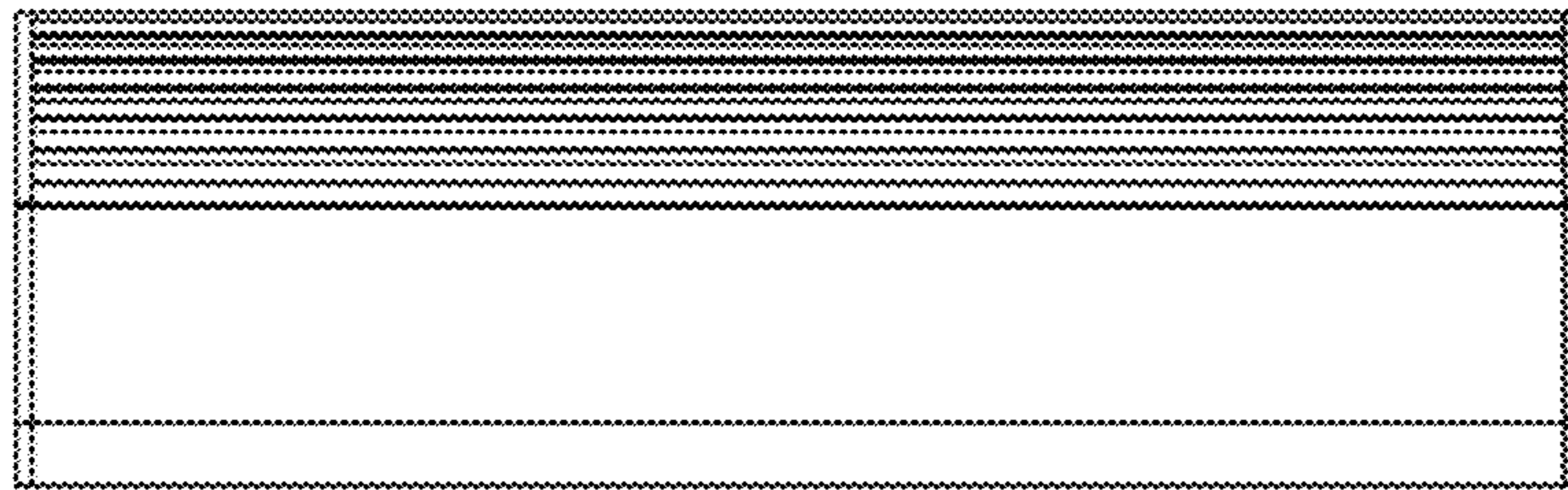


FIG. 2

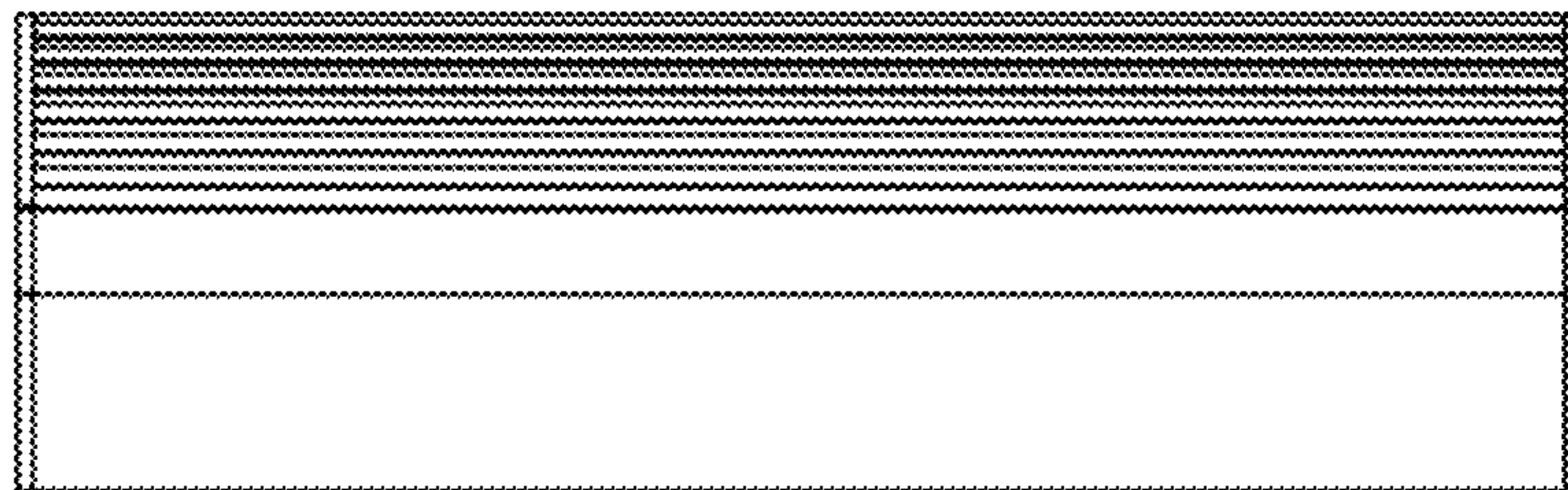


FIG. 3

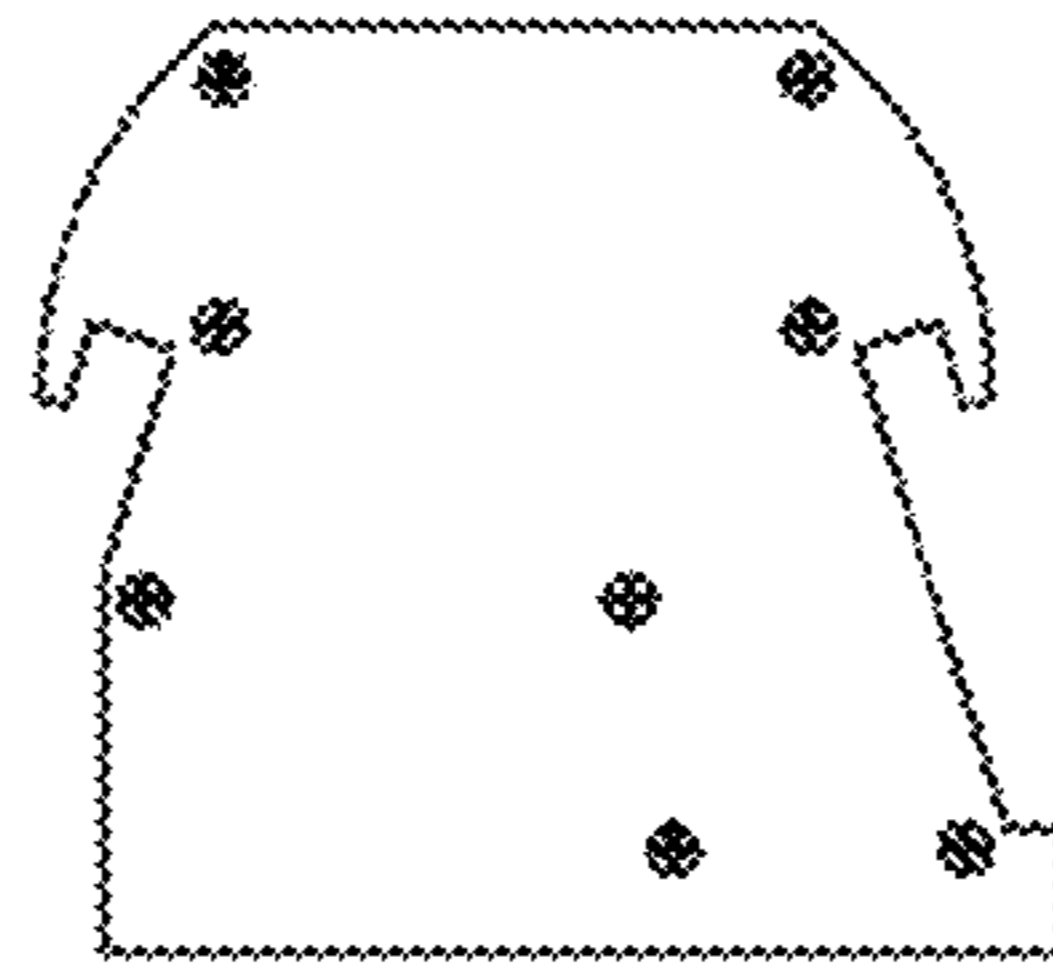


FIG. 4

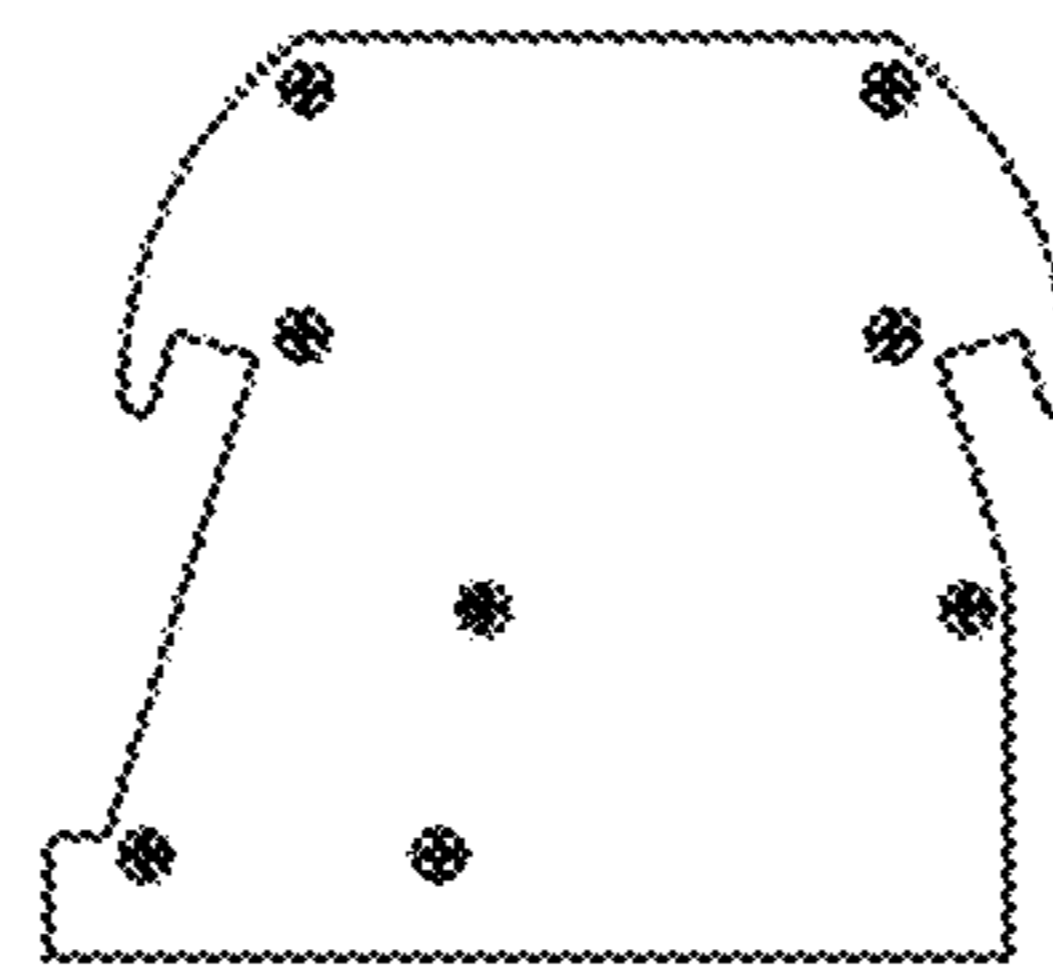


FIG. 5

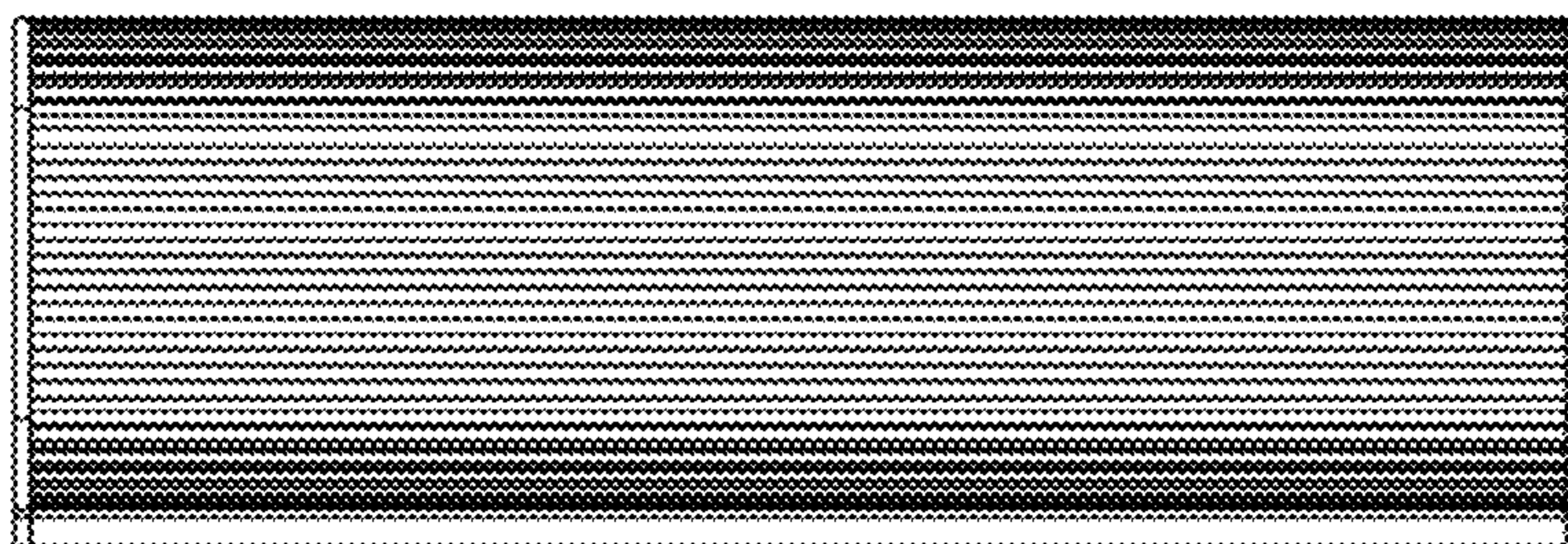


FIG. 6



FIG. 7