



US00D746183S

(12) **United States Design Patent**
Allen et al.

(10) **Patent No.:** **US D746,183 S**
(45) **Date of Patent:** **** Dec. 29, 2015**

(54) **GAS SPRING END MEMBER**
(71) Applicant: **Firestone Industrial Products Company, LLC**, Indianapolis, IN (US)
(72) Inventors: **Michael P. Allen**, Noblesville, IN (US);
Paul P. Koeske, Fishers, IN (US);
Stephen C. Street, Carmel, IN (US)
(73) Assignee: **Firestone Industrial Products Company, LLC**, Indianapolis, IN (US)
(**) Term: **14 Years**

4,718,650 A 1/1988 Geno
4,749,069 A * 6/1988 Knecht F16F 9/46
188/266.6
5,215,291 A * 6/1993 Bauer F16F 9/0254
188/322.12
5,765,860 A 6/1998 Osborn et al.
6,036,179 A 3/2000 Rensel
6,375,168 B2 4/2002 Behrends
6,527,259 B1 3/2003 Németh et al.
6,581,918 B2 6/2003 Voelkel
6,607,186 B2 8/2003 Voelkel
6,698,730 B2 3/2004 Easter
6,746,004 B2 6/2004 Leonard et al.
6,942,201 B2 9/2005 Leonard
7,287,760 B1 10/2007 Quick et al.

(Continued)

(21) Appl. No.: **29/496,107**
(22) Filed: **Jul. 9, 2014**
(51) **LOC (10) Cl.** **12-16**
(52) **U.S. Cl.**
USPC **D12/159**
(58) **Field of Classification Search**
USPC D12/159; 280/124.155, 124.147,
280/124.145, 124.146, 86.752, 11.225;
188/281, 298, 297, 315, 316, 274, 286;
267/195, 136, 64.15, 217; 464/173;
293/134
CPC F16F 1/02; F16F 1/36; F16F 7/003;
F16F 7/01; F16F 7/02; F16F 7/08; F16F 7/10;
F16F 7/12; F16F 7/14; B62D 1/02; B62D
1/24; B62D 21/02; B62D 21/06; B62D 21/07;
B62D 21/08; B62D 21/09; B62D 21/10;
B62D 21/11; B62D 21/12; B62D 21/14;
B62D 21/15; B62D 21/16; B62D 21/17;
B62D 21/18; B62D 27/02; B62D 27/04;
B62D 27/06
See application file for complete search history.

FOREIGN PATENT DOCUMENTS

DE 4230249 9/1992
WO WO-2008/157058 12/2008
WO WO-2011/046549 10/2009

Primary Examiner — Michael A Pratt
(74) Attorney, Agent, or Firm — Jason A. Houser; Fay Sharpe LLP

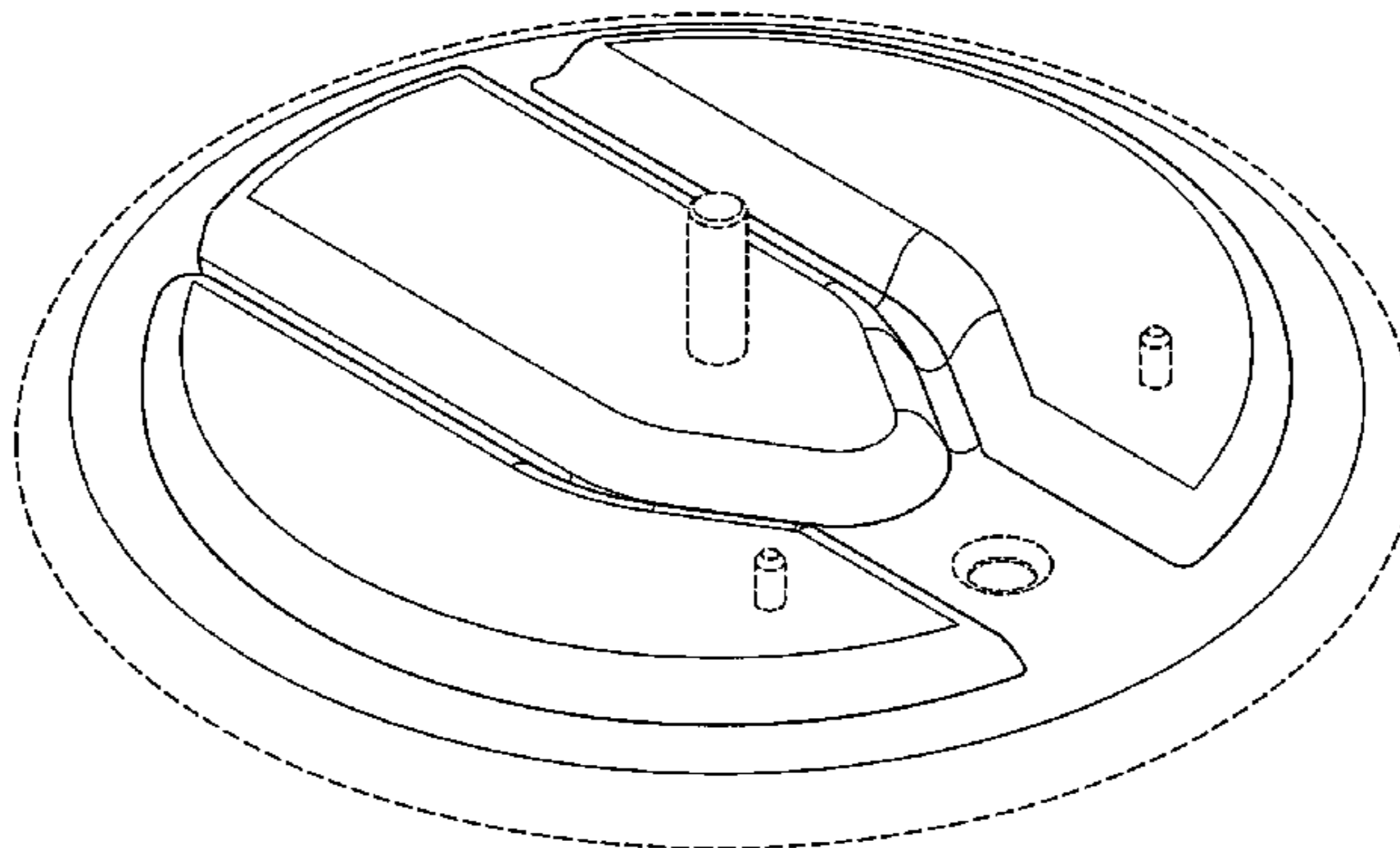
(57) **CLAIM**
The ornamental design for a gas spring end member, as shown and described.

DESCRIPTION

FIG. 1 is a perspective view of a gas spring end member according to our new design;
FIG. 2 is a top plan view thereof;
FIG. 3 is a bottom plan view thereof;
FIG. 4 is a front view thereof;
FIG. 5 is a rear view thereof;
FIG. 6 is a left side view thereof;
FIG. 7 is a right side view thereof; and,
FIG. 8 is a perspective view of the gas spring end member as a part of a gas spring assembly.
The broken lines are for illustrative purposes only and form no part of the claimed design.

(56) **References Cited**
U.S. PATENT DOCUMENTS
4,634,142 A 1/1987 Woods et al.
4,659,104 A 4/1987 Tanaka et al.
4,696,483 A 9/1987 Takizawa et al.

1 Claim, 8 Drawing Sheets



(56)

References Cited

U.S. PATENT DOCUMENTS

7,380,799 B2	6/2008	Niaura et al.	2004/0130079 A1*	7/2004	Gold	B60G 15/068 267/64.23
7,621,538 B2	11/2009	Nordmeyer et al.	2004/0150173 A1	8/2004	Burdock et al.	
7,637,517 B2	12/2009	Misawa	2005/0093265 A1	5/2005	Niaura et al.	
7,644,933 B2	1/2010	Brookes et al.	2007/0089951 A1	4/2007	Skiba	
7,722,017 B2	5/2010	Holbrook et al.	2007/0255466 A1	11/2007	Chiao	
7,871,081 B1	1/2011	Lin	2008/0143027 A1	6/2008	Knevels	
7,959,170 B2	6/2011	Mauz	2010/0201052 A1*	8/2010	Katayama	F16F 9/362 267/113
8,333,367 B2	12/2012	Schuckel	2010/0320657 A1*	12/2010	Chapman	F16F 9/0454 267/140.13
D673,886 S	1/2013	Leonard	2011/0115140 A1*	5/2011	Moulik	B60G 15/14 267/64.23
D673,887 S	1/2013	Leonard	2011/0187035 A1	8/2011	Cagle	
D674,325 S	1/2013	Leonard	2014/0345450 A1*	11/2014	Leonard	B60G 11/28 92/143
D685,297 S	7/2013	Leonard	2015/0081171 A1*	3/2015	Ericksen	B60G 17/016 701/37
2004/0124571 A1*	7/2004	Gold				

F16F 9/3405
267/124

* cited by examiner

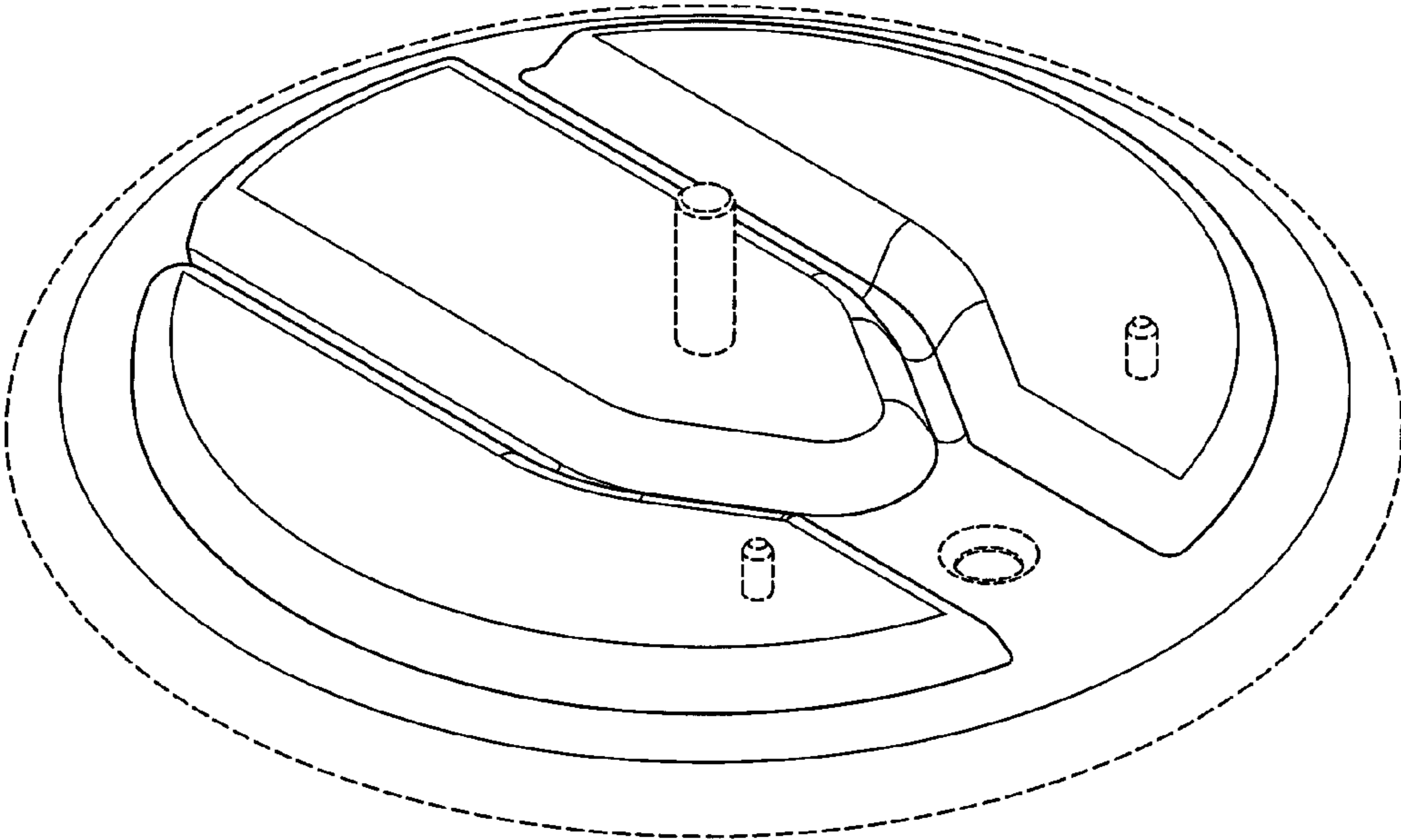


FIG. 1

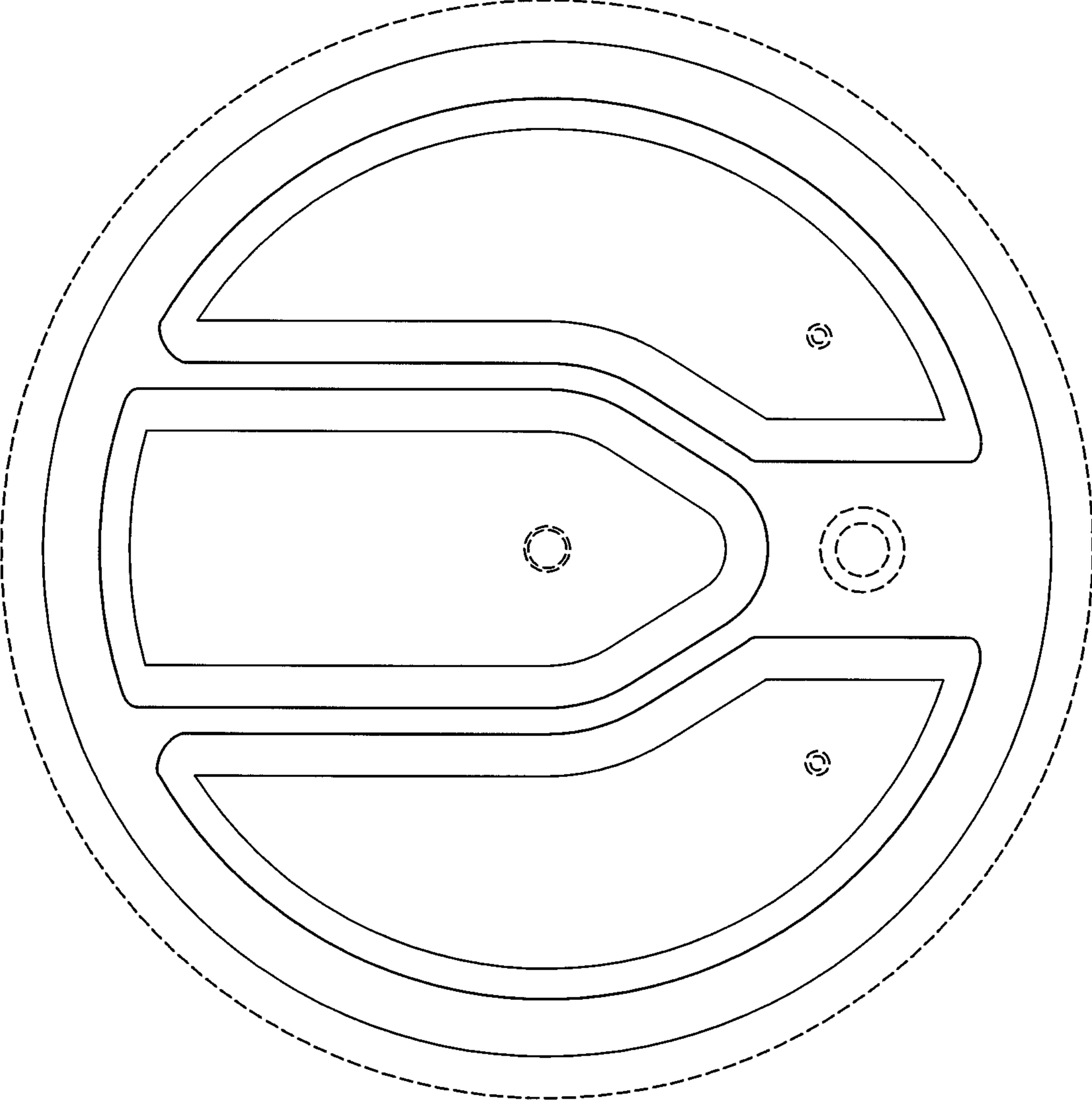


FIG. 2

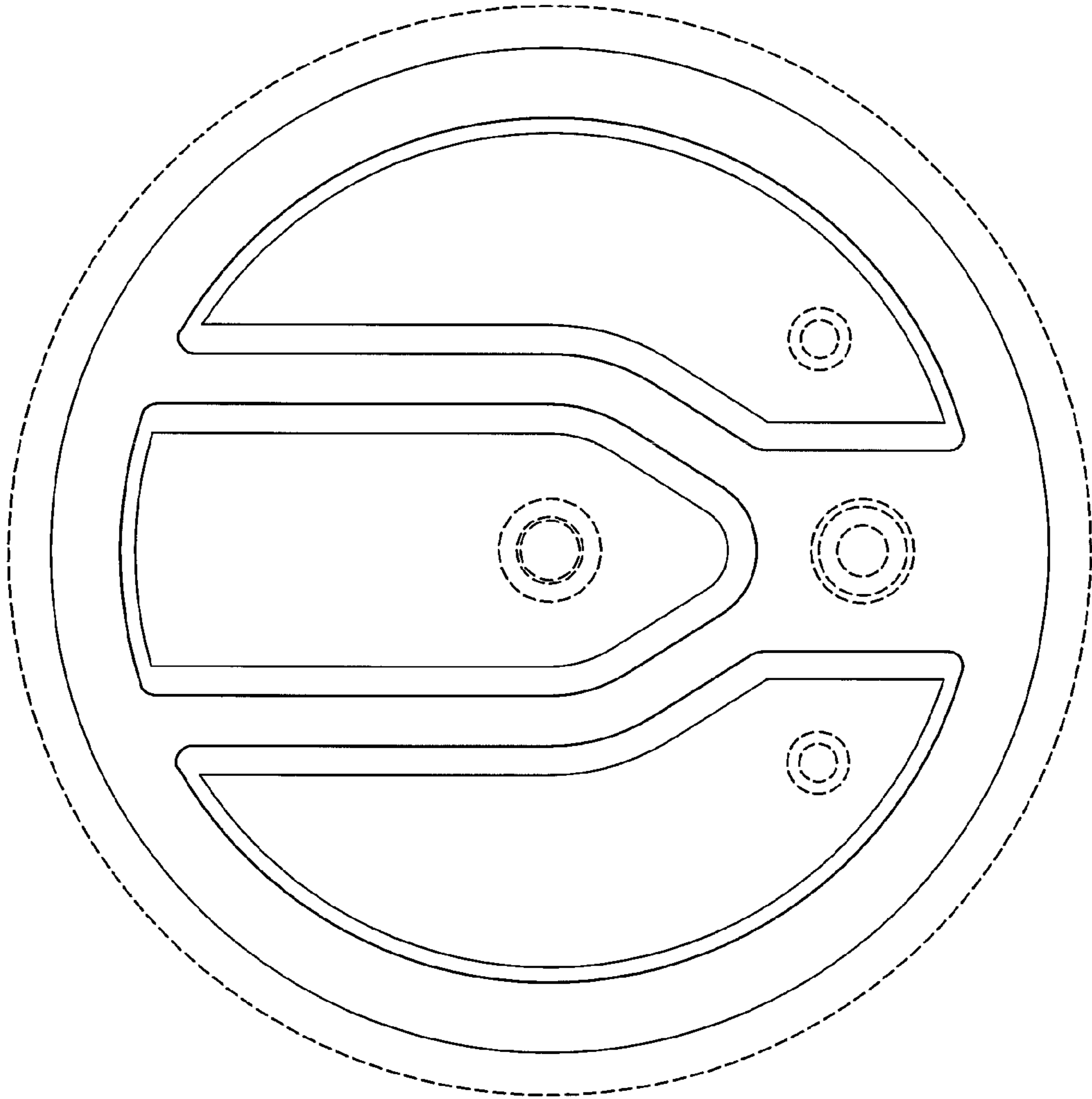


FIG. 3

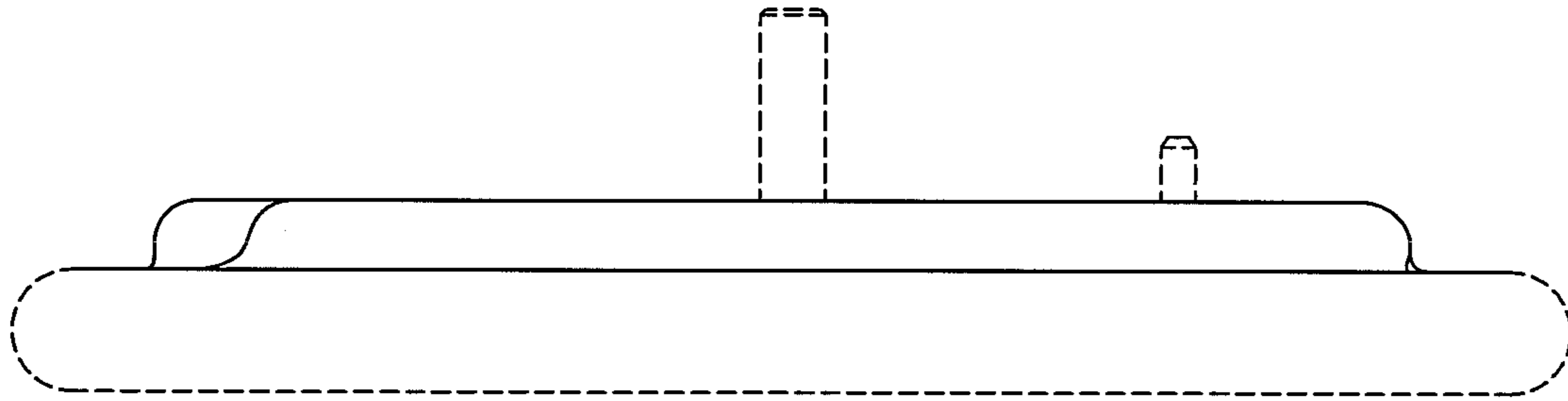


FIG. 4

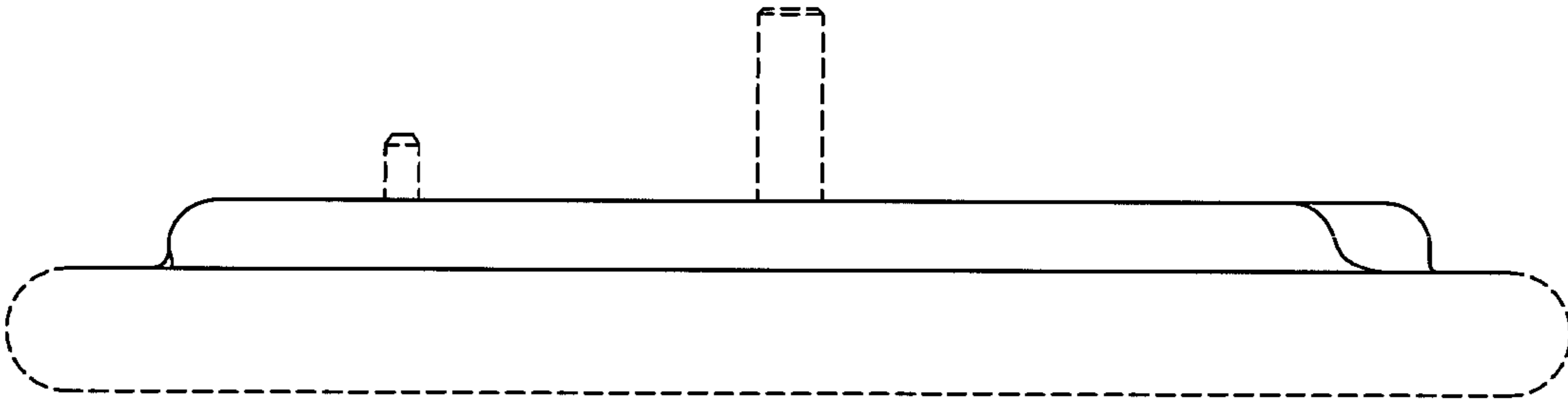


FIG. 5

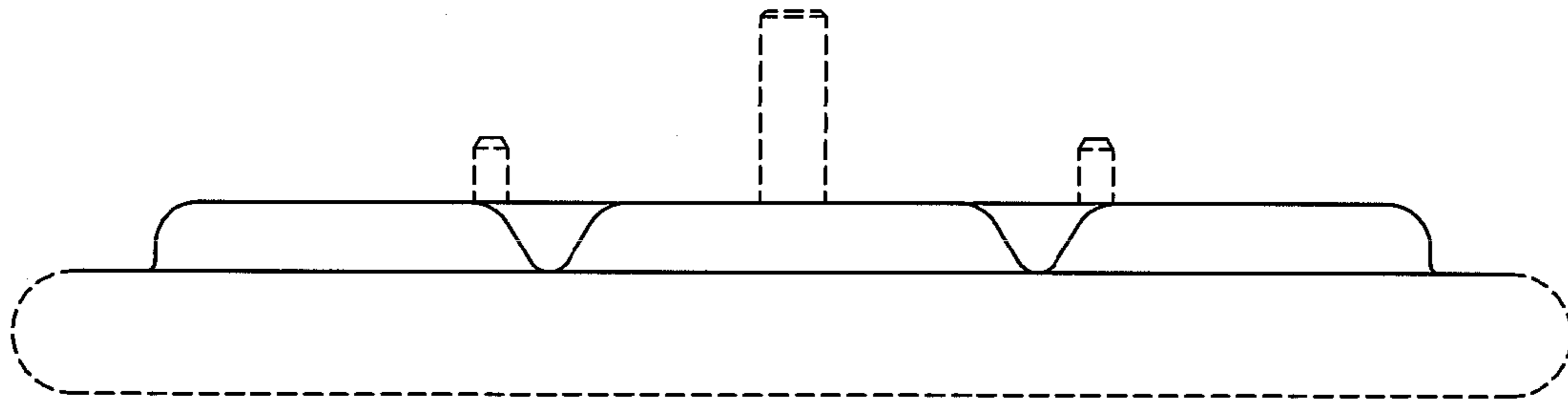


FIG. 6

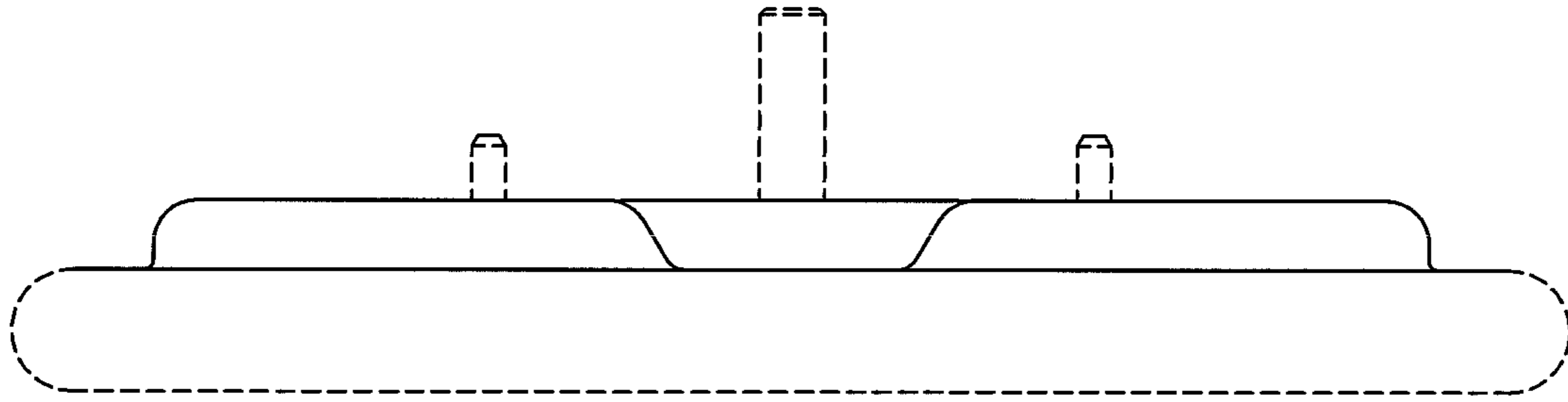


FIG. 7

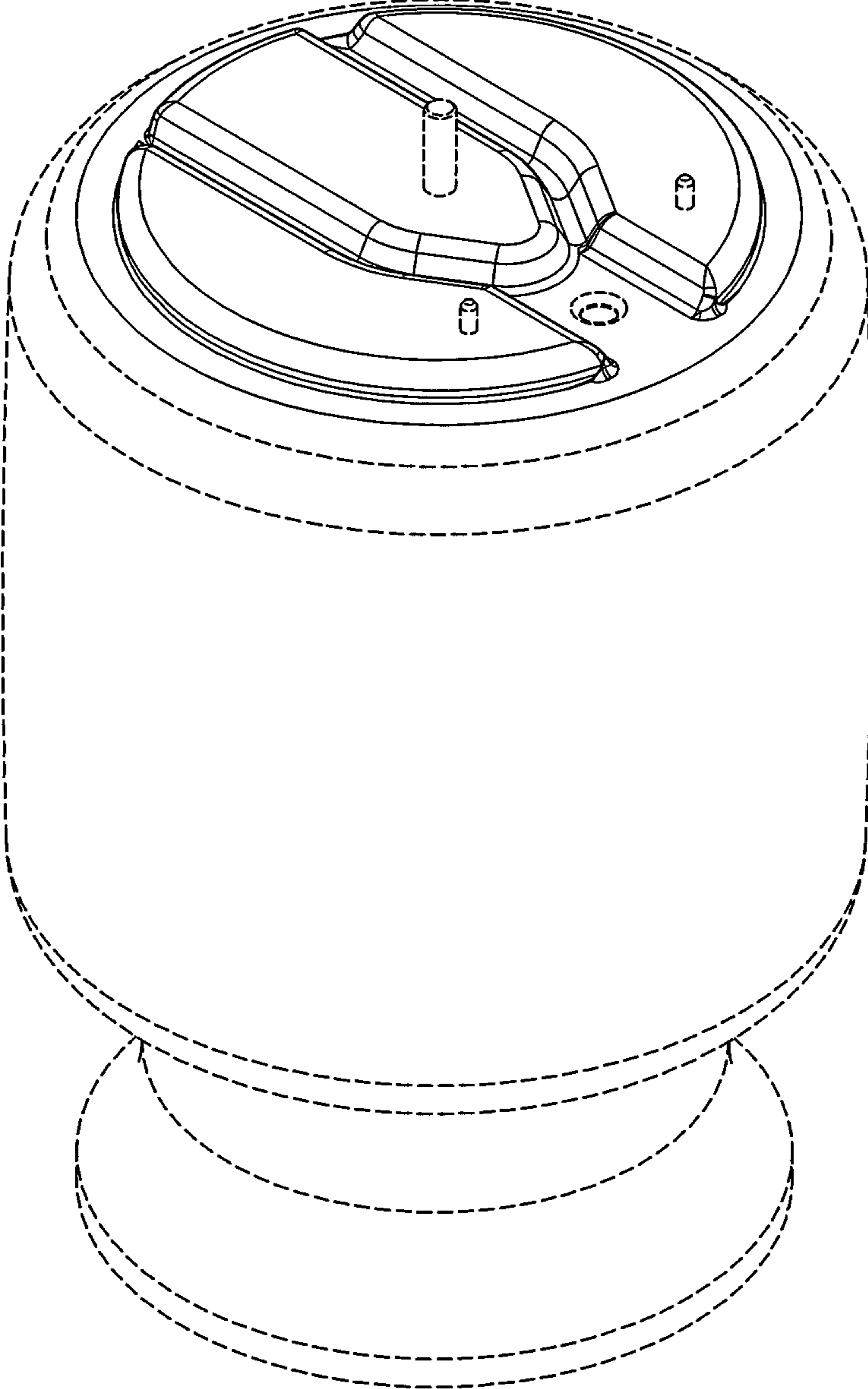


FIG. 8