



US00D746182S

(12) **United States Design Patent**
Jane Santamaria

(10) **Patent No.:** **US D746,182 S**
(45) **Date of Patent:** **** Dec. 29, 2015**

(54) **DEVICE FOR CARRYING BABIES**

(56) **References Cited**

(75) Inventor: **Manuel Jane Santamaria**, Palau de Plegamans (ES)

(73) Assignee: **JANE, S.A.**, Palau de Plegamans, Barcelona (ES)

(**) Term: **14 Years**

(21) Appl. No.: **29/373,933**

(22) Filed: **Jun. 9, 2011**

(30) **Foreign Application Priority Data**

Dec. 9, 2010 (EM) 001791245-0001

(51) **LOC (10) Cl.** **12-12**

(52) **U.S. Cl.**
USPC **D12/133**

(58) **Field of Classification Search**
USPC D12/128-133; 280/62, 647-650, 29, 280/200, 47.38, 250.1, 259, 642, 658, 280/304.1; 128/99.1, 100.1

See application file for complete search history.

U.S. PATENT DOCUMENTS

4,854,008	A *	8/1989	Kuo	16/30
D413,555	S *	9/1999	Hernandez et al.	D12/133
D429,665	S *	8/2000	Dickie	D12/133
6,357,793	B1 *	3/2002	Dickie et al.	280/755
6,460,641	B1 *	10/2002	Kral	180/24.02
D475,324	S *	6/2003	Hallgrimsson	D12/133
D495,629	S *	9/2004	Chelgren	D12/133
6,789,810	B2 *	9/2004	Strong	280/124.128
7,497,449	B2 *	3/2009	Logger	280/47.38
D631,403	S *	1/2011	Knopf	D12/133

* cited by examiner

Primary Examiner — Susan Bennett Hattan

Assistant Examiner — Charles Hanson

(74) *Attorney, Agent, or Firm* — Merchant & Gould P.C.

(57) **CLAIM**

The ornamental design for a device for carrying babies, as shown and described.

DESCRIPTION

FIG. 1 is a front view of a device for carrying babies showing my new design;

FIG. 2 a right side perspective view thereof; and,

FIG. 3 is a left side perspective view thereof.

The portions shown in broken lines form no part of the claimed design.

1 Claim, 3 Drawing Sheets

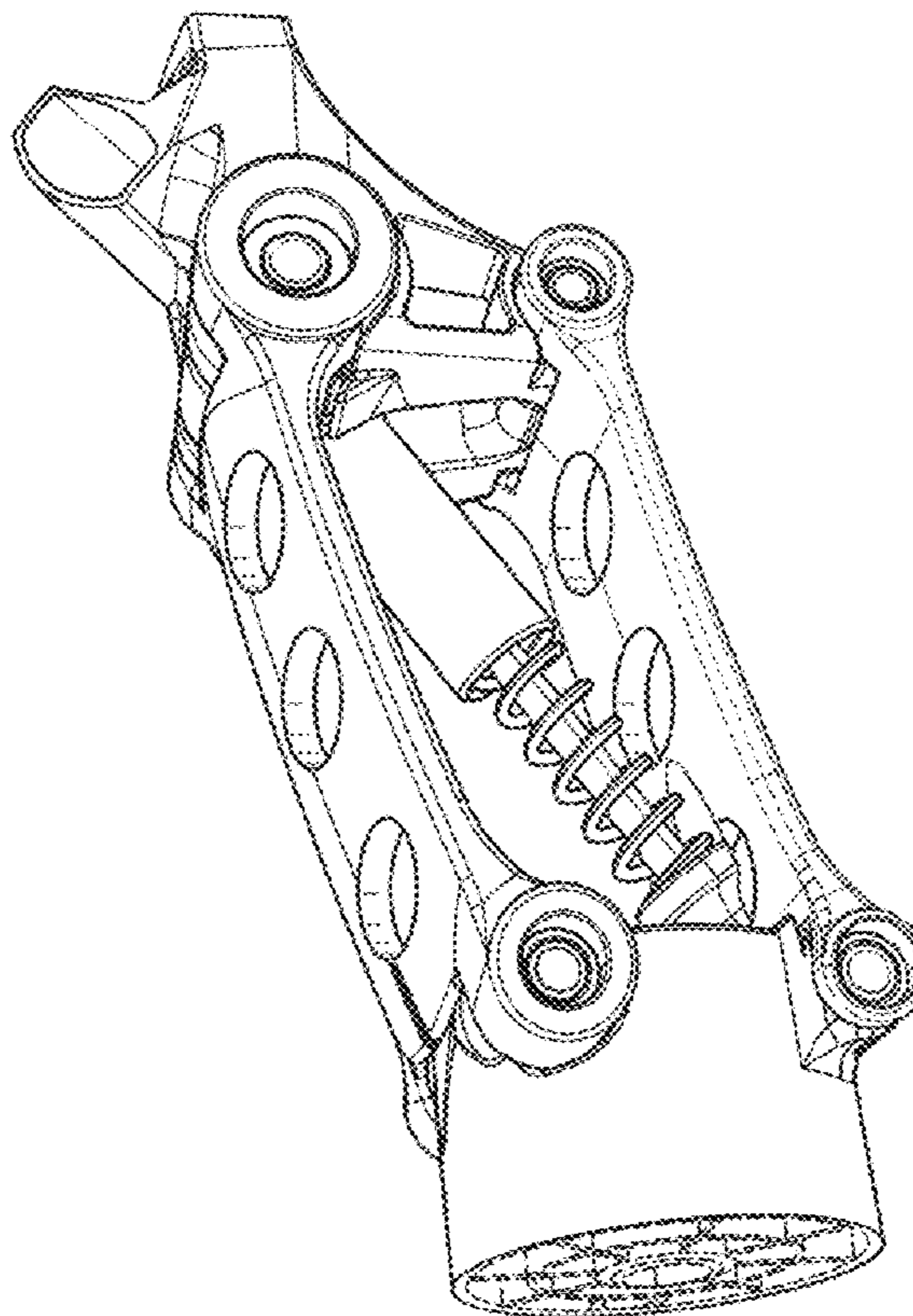


FIG. 1

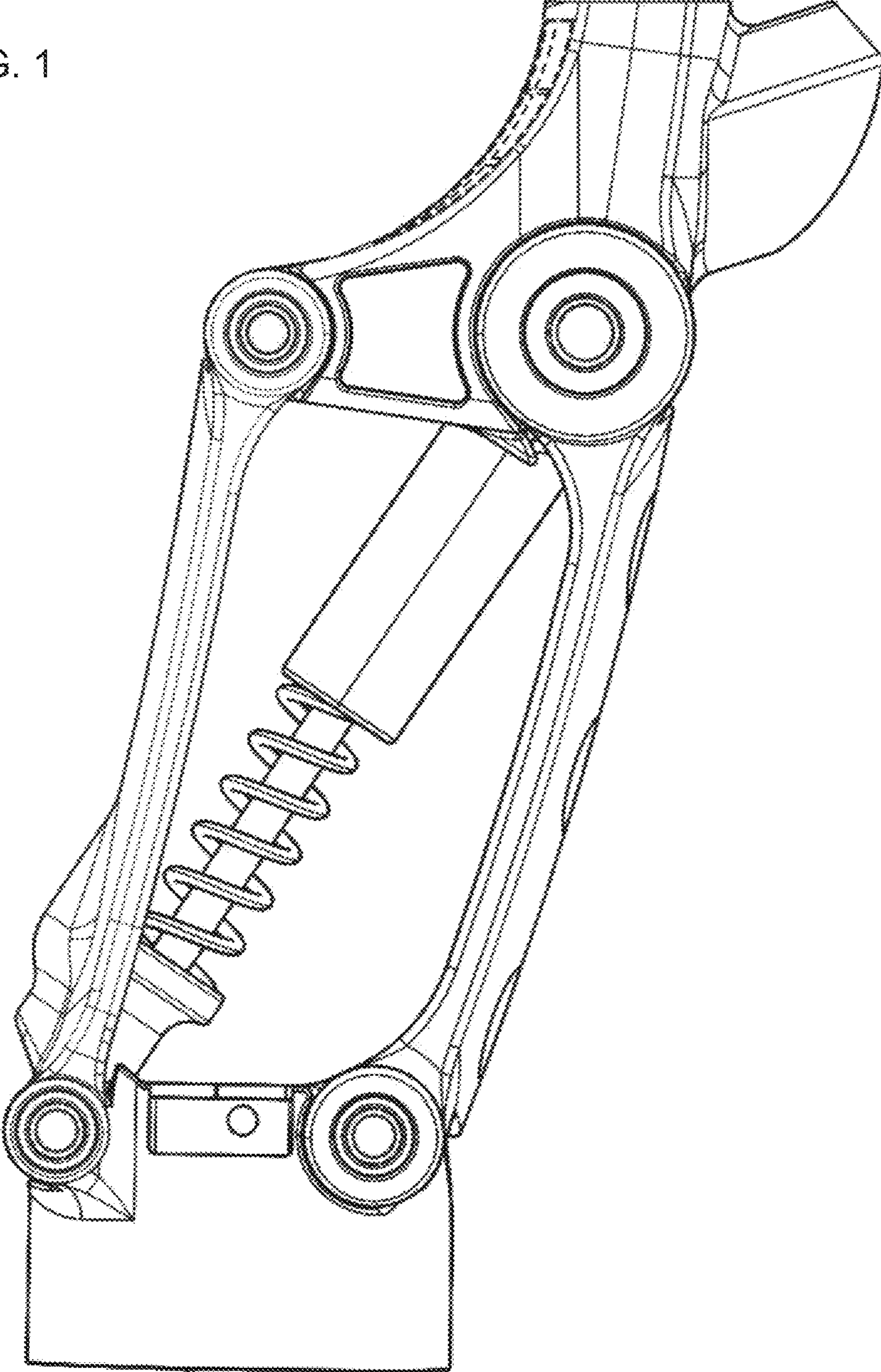
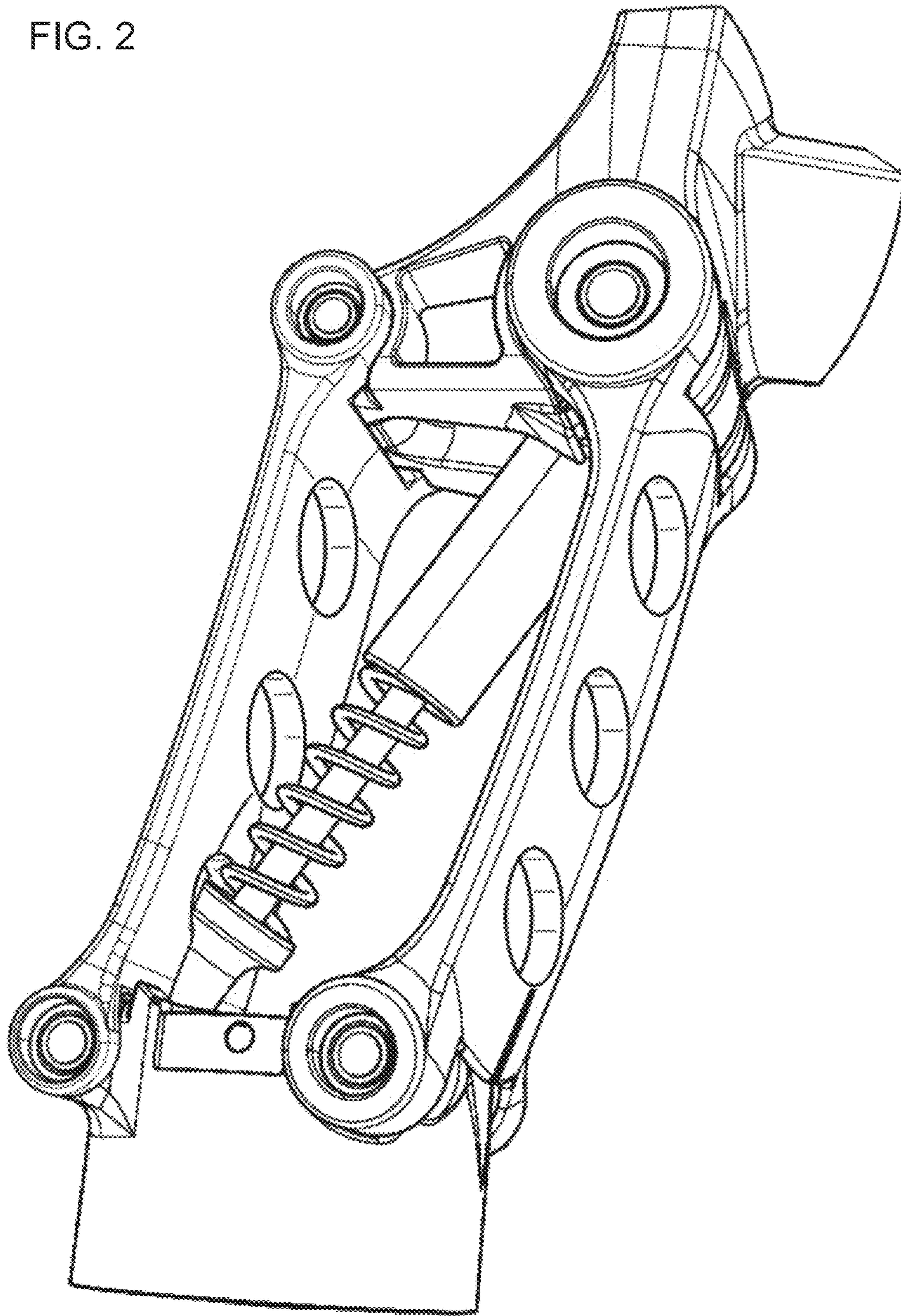


FIG. 2



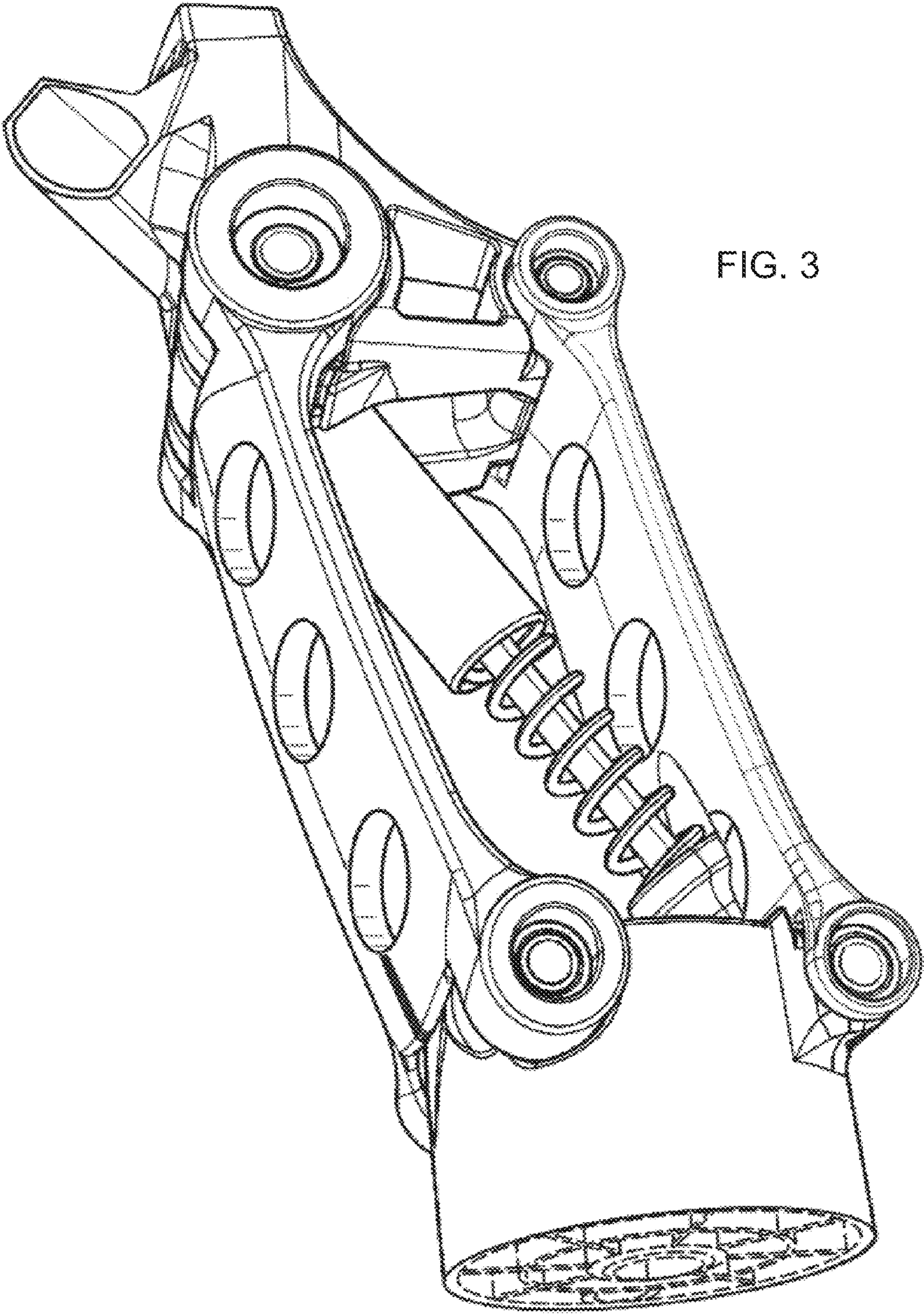


FIG. 3