



US00D746173S

(12) **United States Design Patent**  
**Yauheni et al.**

(10) **Patent No.:** **US D746,173 S**  
(45) **Date of Patent:** **\*\* Dec. 29, 2015**

- (54) **ARMORED VEHICLE**
- (71) Applicant: **Wargaming.net LLP**, London (GB)
- (72) Inventors: **Melnikau Yauheni**, Molodechno (BY);  
**Medvedev Andreji**, Minsk (BY);  
**Makarov Viacheslav**, Reutov (RU)
- (73) Assignee: **Wargaming.net LLP**, London (GB)
- (\*\*) Term: **14 Years**
- (21) Appl. No.: **29/458,061**
- (22) Filed: **Jun. 14, 2013**
- (51) **LOC (10) Cl.** ..... **12-13**
- (52) **U.S. Cl.**  
USPC ..... **D12/12**
- (58) **Field of Classification Search**  
USPC ..... D12/1, 12, 14, 15; D21/539, 556, 557,  
D21/559, 562; 180/89.1, 89.12, 232, 242,  
180/449, 9.1; D15/23, 24, 25, 33, 199;  
446/88, 430, 433, 470, 429, 465, 175;  
296/24.4; 89/36.08, 36.13, 41.02  
See application file for complete search history.

5,392,687	A *	2/1995	Shiells	.....	89/36.17
5,413,027	A *	5/1995	Mixon	.....	89/36.17
6,012,376	A *	1/2000	Hanke et al.	.....	89/41.19
D712,786	S *	9/2014	Burkatovskiy	.....	D12/12
2013/0062486	A1 *	3/2013	Shmargad	.....	248/220.41

**OTHER PUBLICATIONS**

Historical Research, six pages, (publication date unknown).

\* cited by examiner

*Primary Examiner* — T. Chase Nelson

*Assistant Examiner* — Ania Aman

(74) *Attorney, Agent, or Firm* — Banner & Witcoff, Ltd.

(57) **CLAIM**

The ornamental design for an armored vehicle, as shown and described.

**DESCRIPTION**

FIG. 1 is a perspective view showing an armored vehicle showing our new design.

FIG. 2 is a top plan view.

FIG. 3 is first side elevation view.

FIG. 4 is a second side elevation view.

FIG. 5 is a front elevation view; and,

FIG. 6 is a rear elevation view.

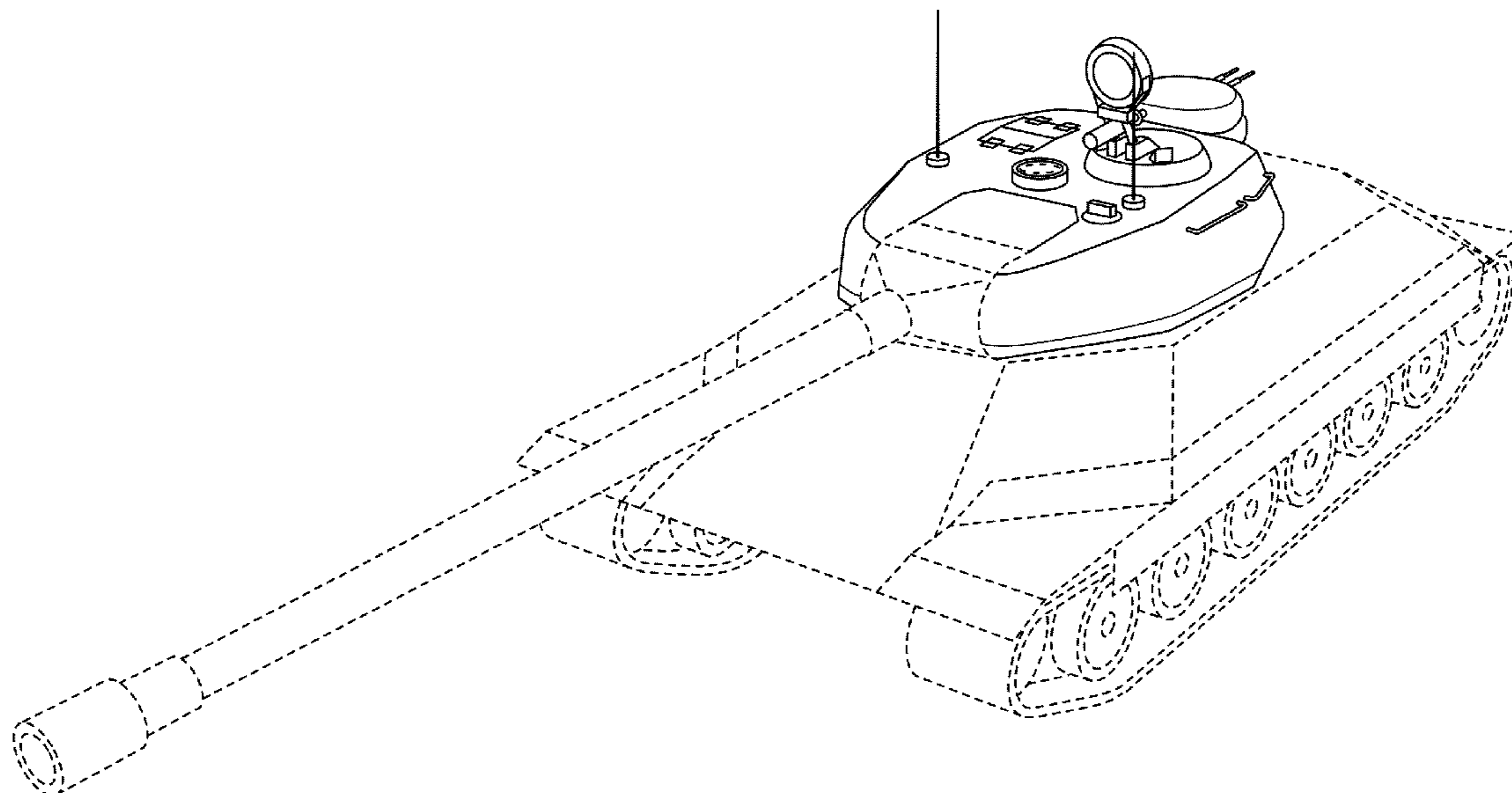
The broken line showing of various features is for illustrative purposes only and forms no part of the claimed design. The broken line boundary and the area there within the cylindrical element depicted in FIGS. 1-2 forms no part of the claimed design.

(56) **References Cited**

**U.S. PATENT DOCUMENTS**

4,458,444	A *	7/1984	Avery et al.	.....	446/433
4,607,562	A *	8/1986	LeBlanc	.....	89/40.03
4,947,728	A *	8/1990	Muhlhausen et al.	.....	89/46
D311,040	S *	10/1990	Kunihiro	.....	D21/631
5,105,716	A *	4/1992	Hahn et al.	.....	89/36.13
5,285,714	A *	2/1994	Sprafke	.....	89/37.03
D354,721	S *	1/1995	Bortoli et al.	.....	D12/12

**1 Claim, 5 Drawing Sheets**



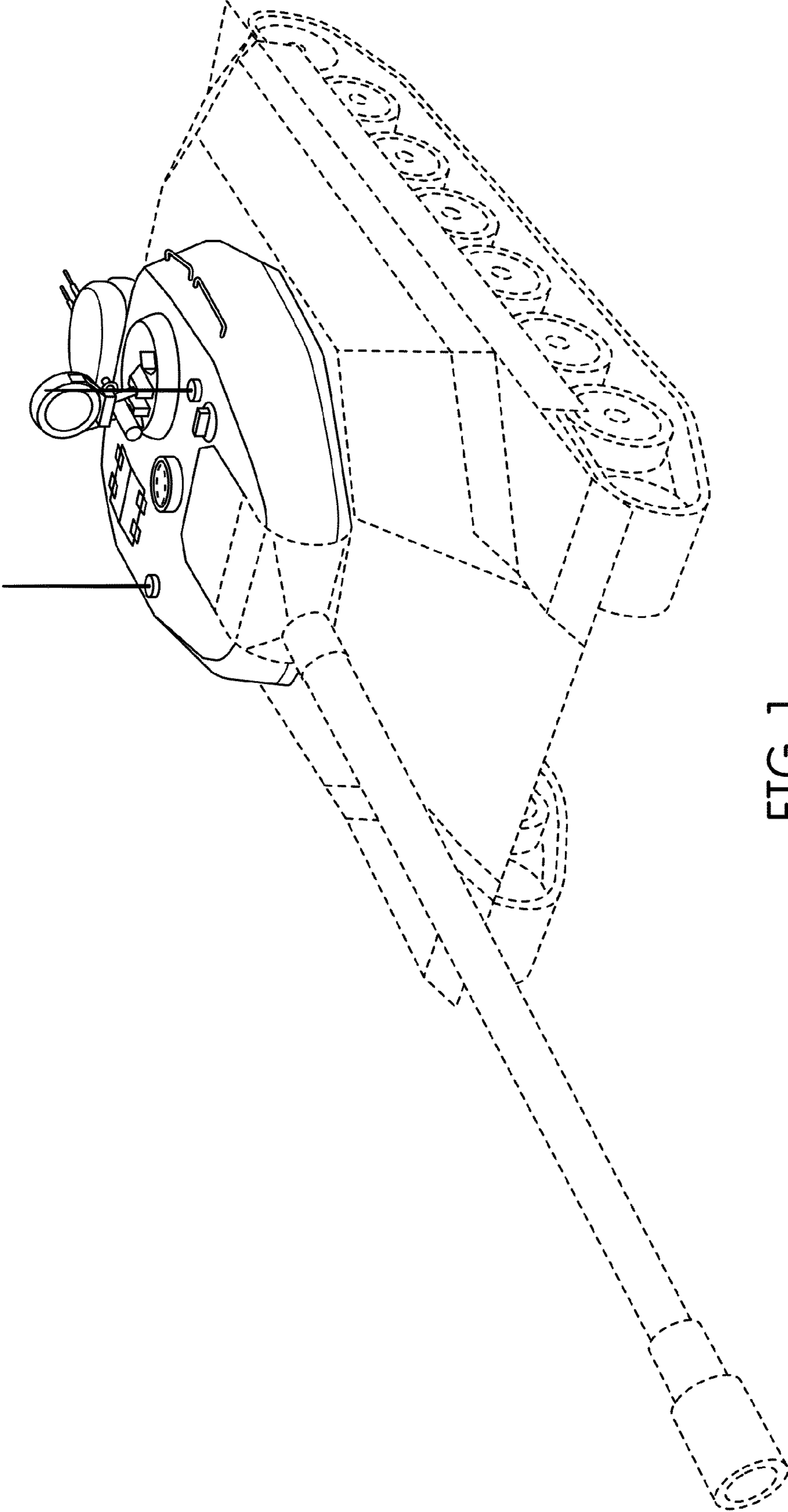


FIG. 1

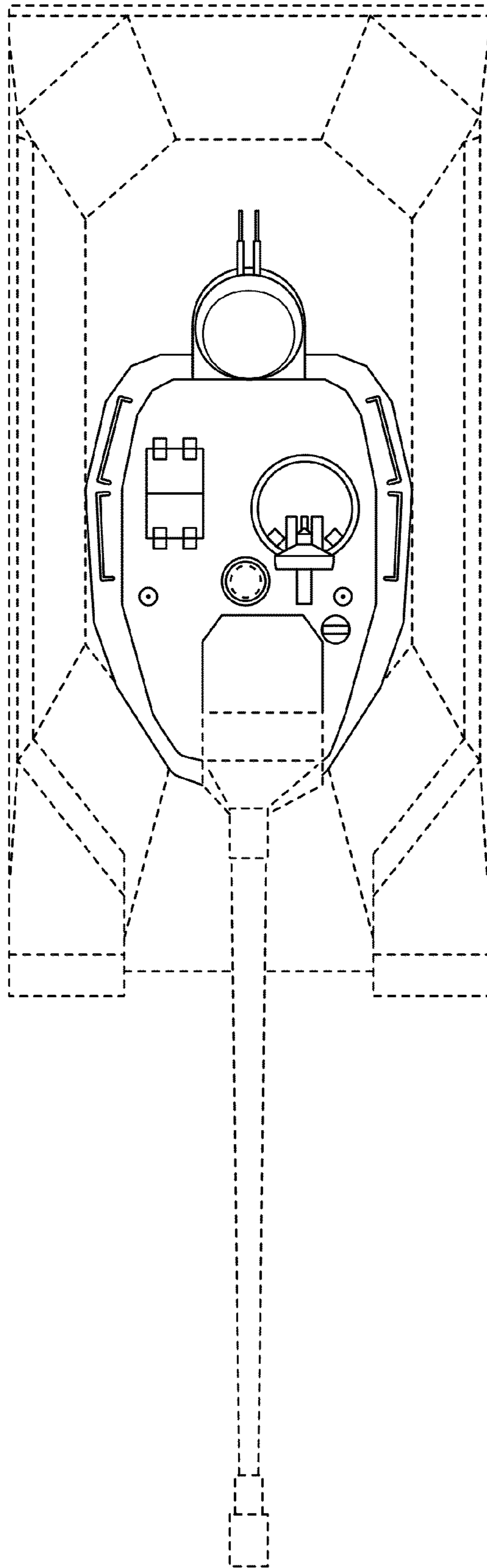


FIG. 2

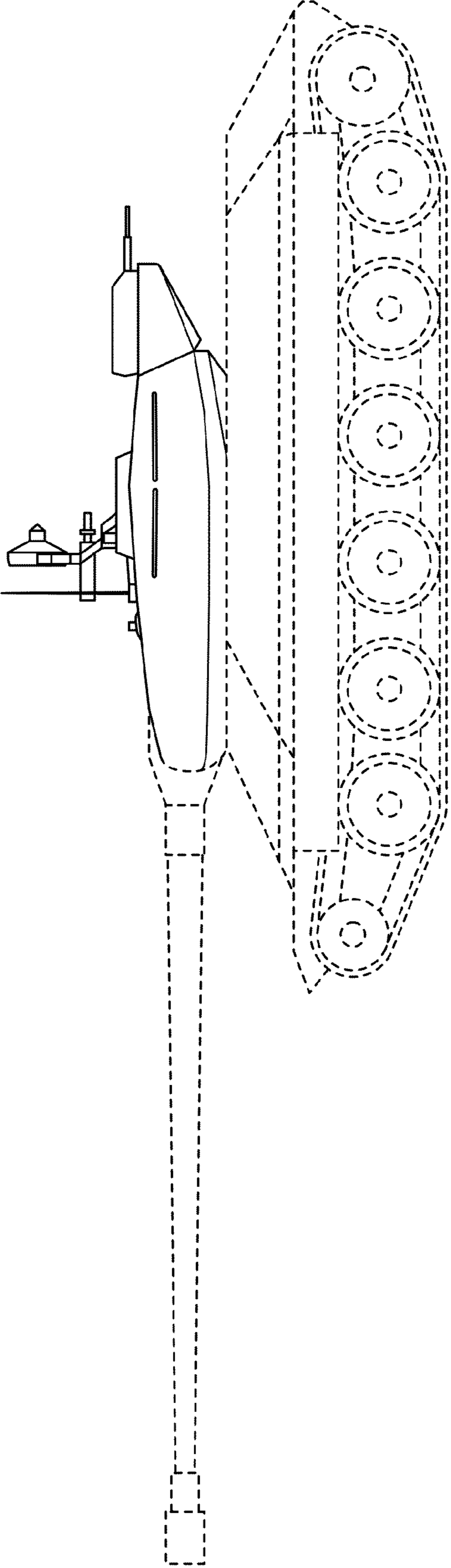


FIG. 3

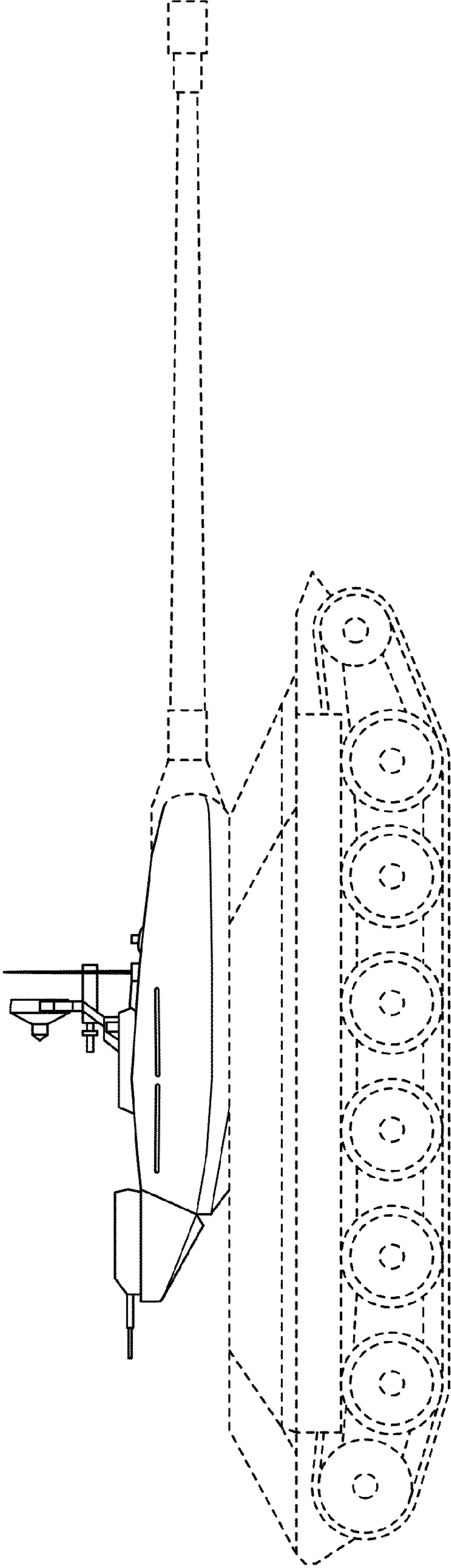


FIG. 4

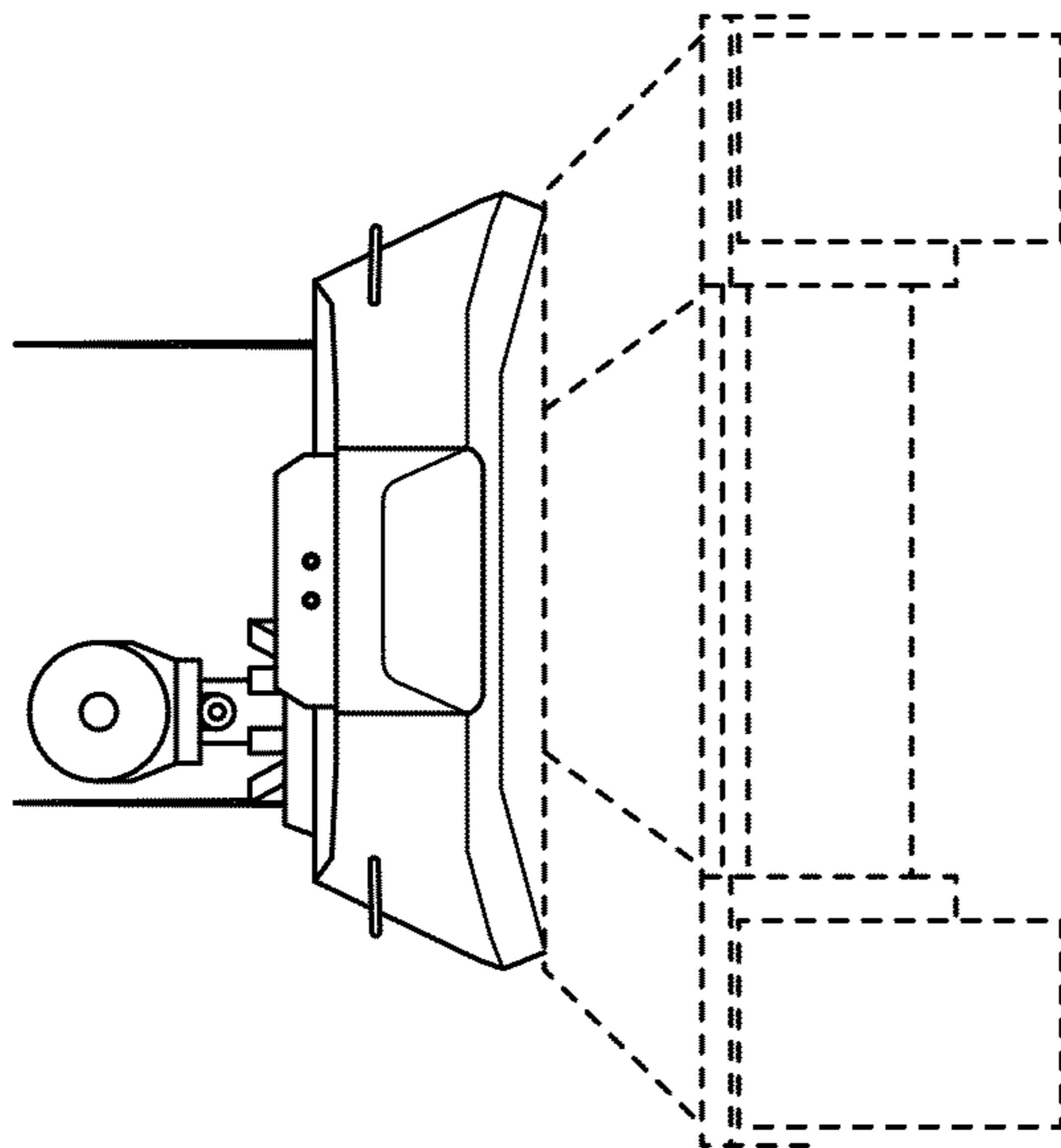


FIG. 6

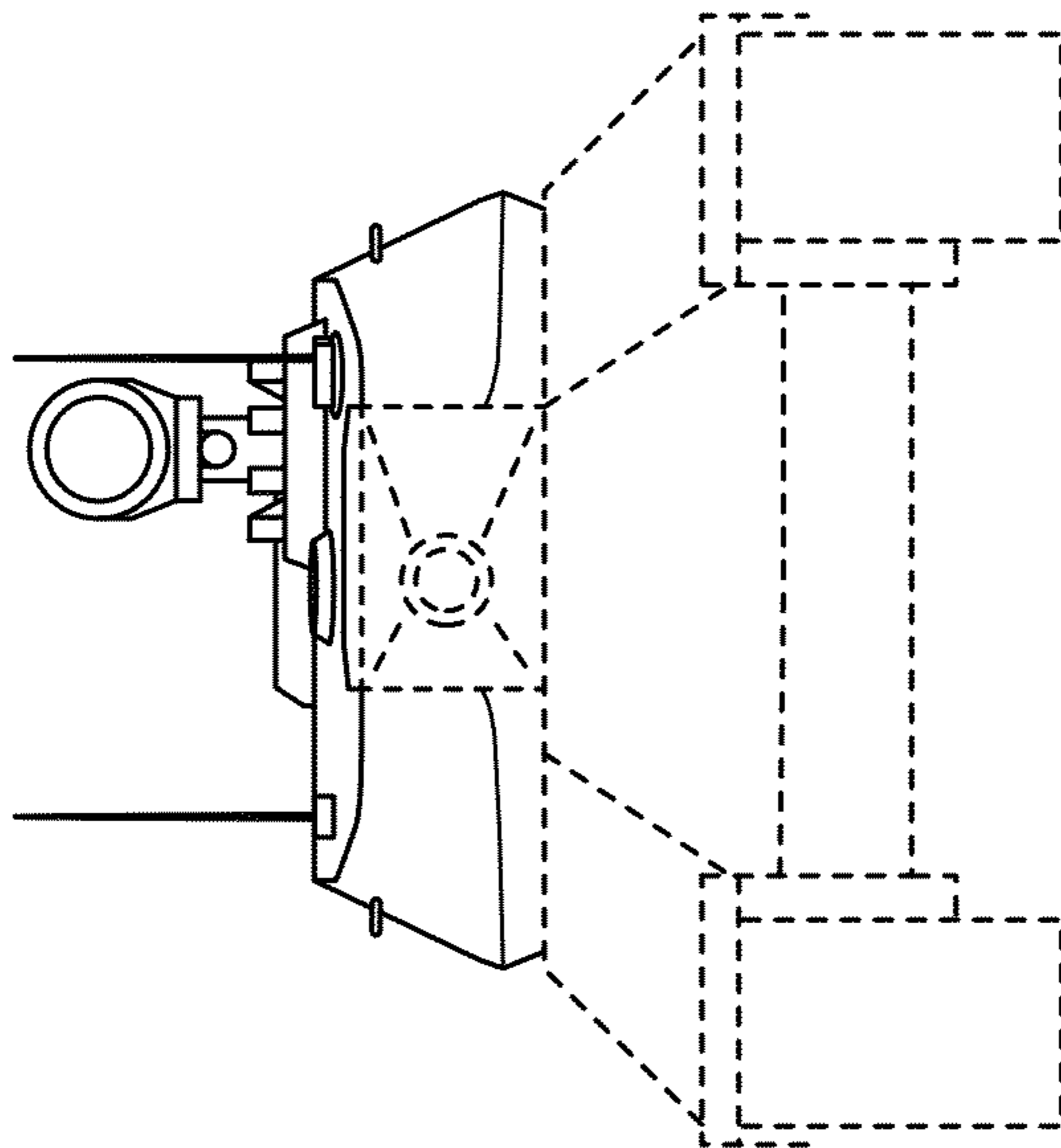


FIG. 5