



US00D746168S

(12) **United States Design Patent**  
**Vaughan et al.**

(10) **Patent No.:** **US D746,168 S**

(45) **Date of Patent:** **\*\* Dec. 29, 2015**

(54) **PENDANT**

(71) Applicant: **Athletes for Christ, LP**, Beaumont, TX (US)

(72) Inventors: **John Kennedy Vaughan**, Beaumont, TX (US); **Tammie Vaughan**, Beaumont, TX (US)

(73) Assignee: **ATHLETES FOR CHRIST, LP**, Beaumont, TX (US)

(\*\*) Term: **14 Years**

(21) Appl. No.: **29/497,343**

(22) Filed: **Jul. 23, 2014**

(51) **LOC (10) Cl.** ..... **11-01**

(52) **U.S. Cl.**  
USPC ..... **D11/81**

(58) **Field of Classification Search**  
USPC ..... D11/1-50, 53, 56, 63, 65-69, 70, 74, D11/77-92, 121, 125, 128, 200, 206, 207; 63/1.11, 1.12, 1.13, 1.14, 1.15, 1.16, 63/1.17, 1.18, 3, 3.1, 3.2, 12, 13, 14.1, 63/14.2, 14.3, 14.4, 14.5, 14.6, 14.7, 14.8, 63/18, 20, 21, 22, 23, 26, 27, 29.1, 30-33; D9/668; D21/638, 661, 681, 682; 482/93, 107, 108; D7/509, 510, 514  
CPC ..... A44C 25/001; A44C 25/00; A44C 15/00; A44C 15/003; A44C 15/002; A44C 27/003; A44C 3/00; A44C 5/003; A44C 5/2042; A44C 7/00; A44C 7/002; A44C 7/003

See application file for complete search history.

(56) **References Cited**

U.S. PATENT DOCUMENTS

5,300,001	A *	4/1994	Sealy .....	A63B 1/0602 482/108
D489,023	S *	4/2004	Steiner .....	D11/38
7,549,952	B2 *	6/2009	Towley, III .....	A63B 21/075 482/108
D609,526	S *	2/2010	Tuttle .....	D21/681
D650,289	S *	12/2011	Bosiljevac .....	D21/681
D694,146	S *	11/2013	Beeson .....	D11/88
D695,128	S *	12/2013	Ozsinmaz .....	D21/681
D708,479	S *	7/2014	Kramer .....	D7/510
D708,480	S *	7/2014	Kramer .....	D7/510
D710,241	S *	8/2014	Vaughan .....	D11/81
D713,203	S *	9/2014	Vogt .....	D7/510
D717,687	S *	11/2014	Krahbichler .....	D11/79

\* cited by examiner

*Primary Examiner* — Cynthia Ramirez

*Assistant Examiner* — Llorellys Martinez-Rivera

(74) *Attorney, Agent, or Firm* — Egbert Law Offices, PLLC

(57) **CLAIM**

The ornamental design for a pendant, as shown and described.

**DESCRIPTION**

FIG. 1 is a perspective view of a pendant showing our new design.

FIG. 2 is a top view thereof;

FIG. 3 is a bottom view thereof;

FIG. 4 is a side view thereof;

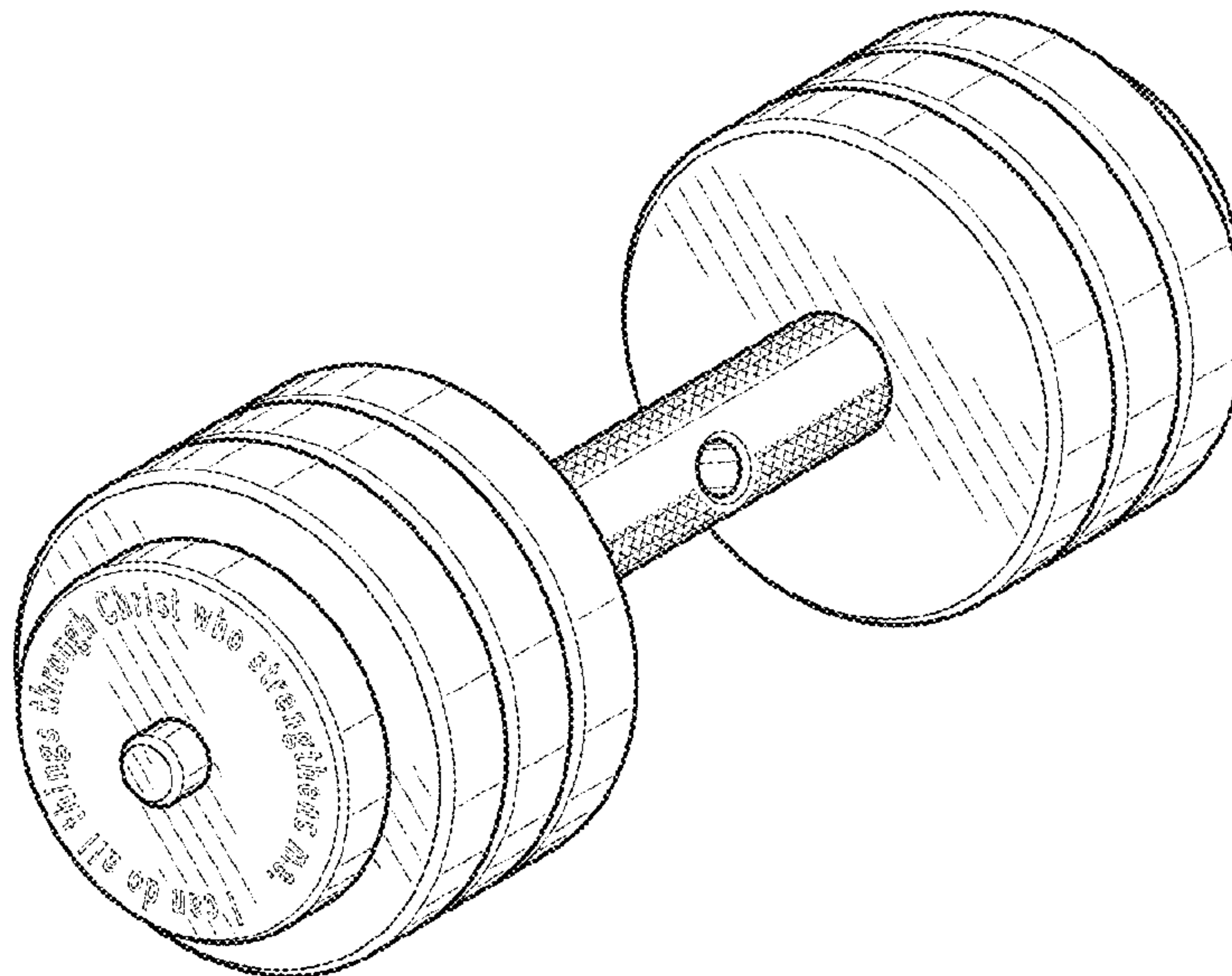
FIG. 5 is an opposite view thereof.

FIG. 6 is a front thereof; and,

FIG. 7 is a rear view thereof.

The broken lines in the drawings represent unclaimed portions of the pendant and form no part of the claimed design.

**1 Claim, 2 Drawing Sheets**



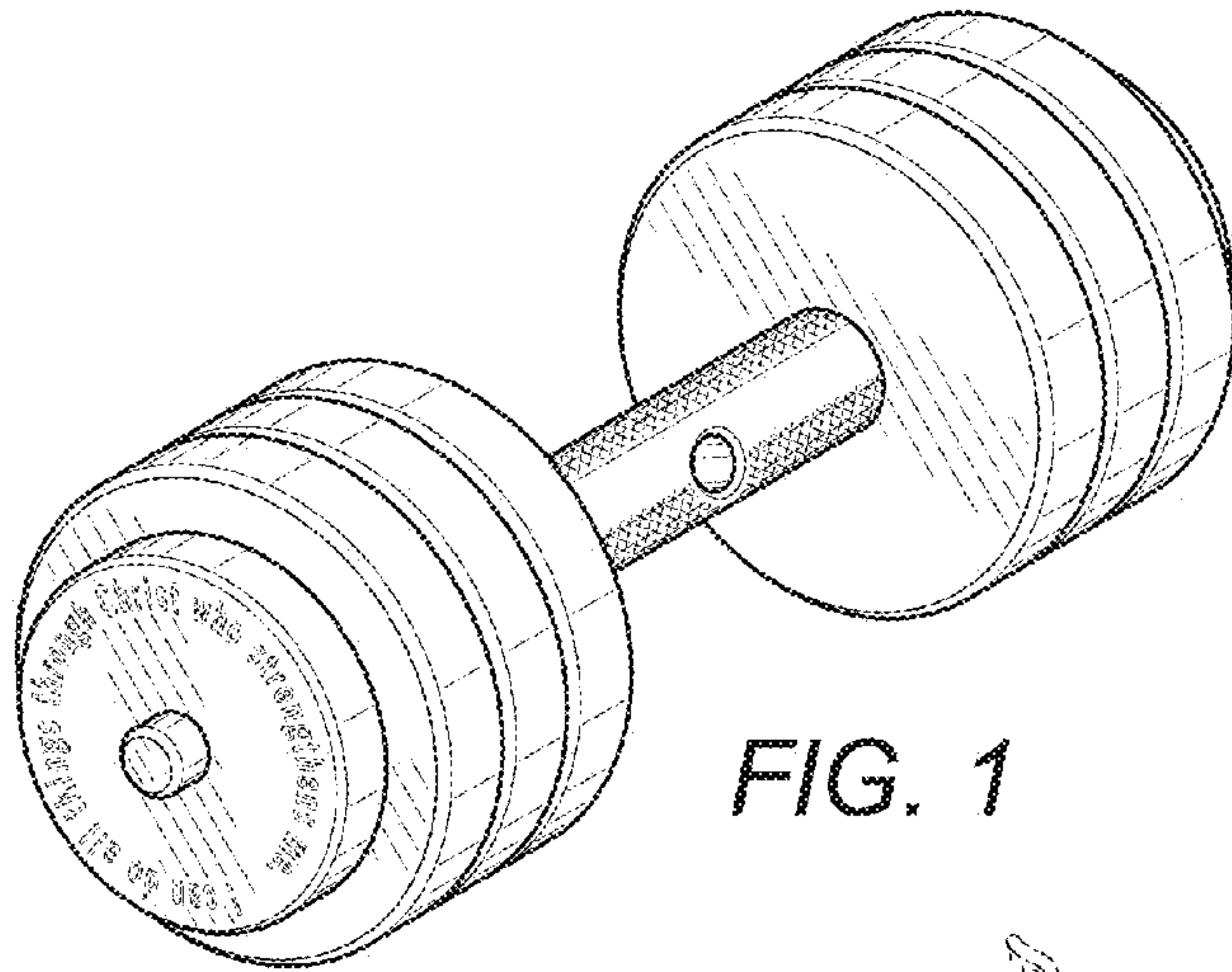


FIG. 1

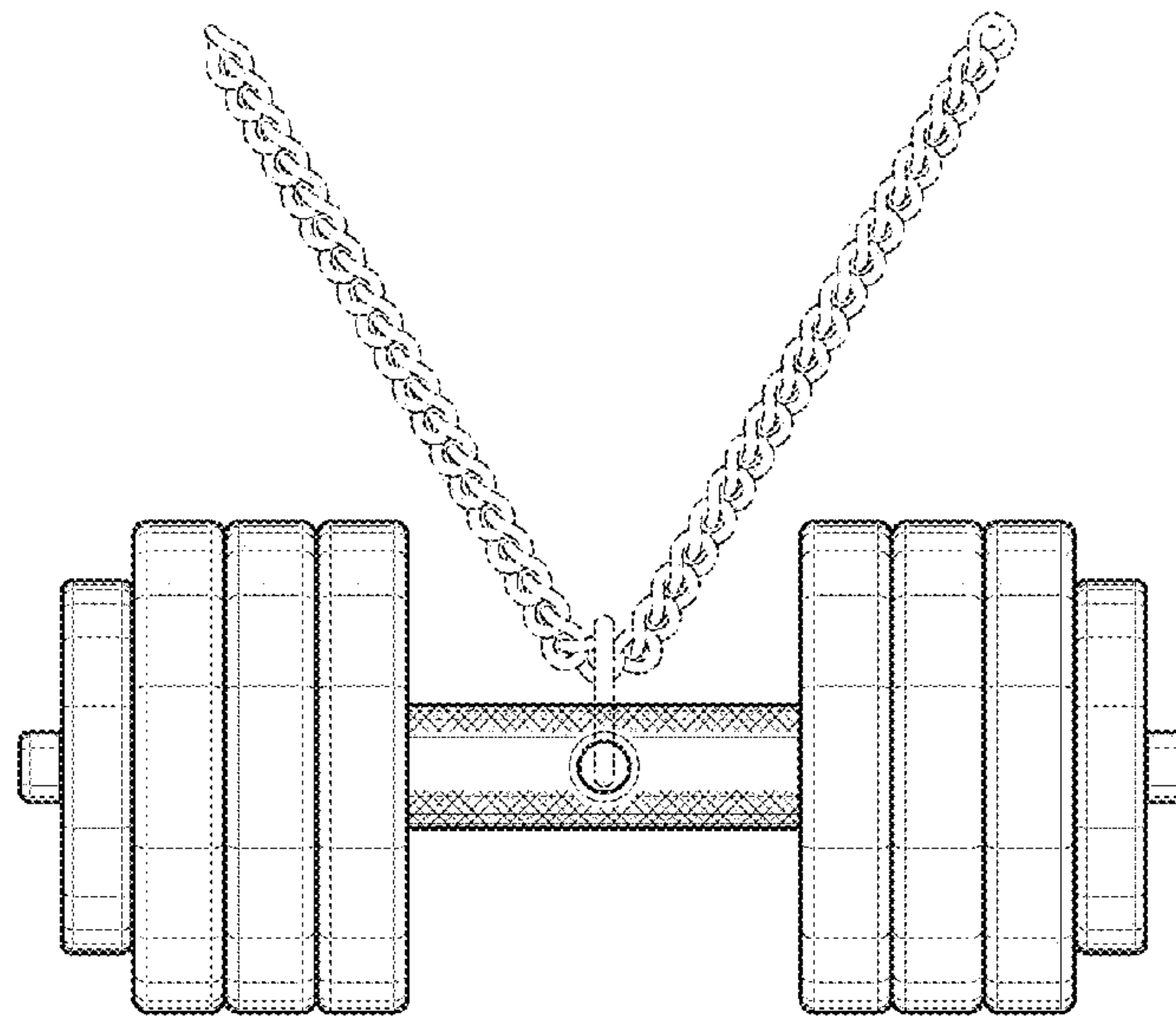


FIG. 2

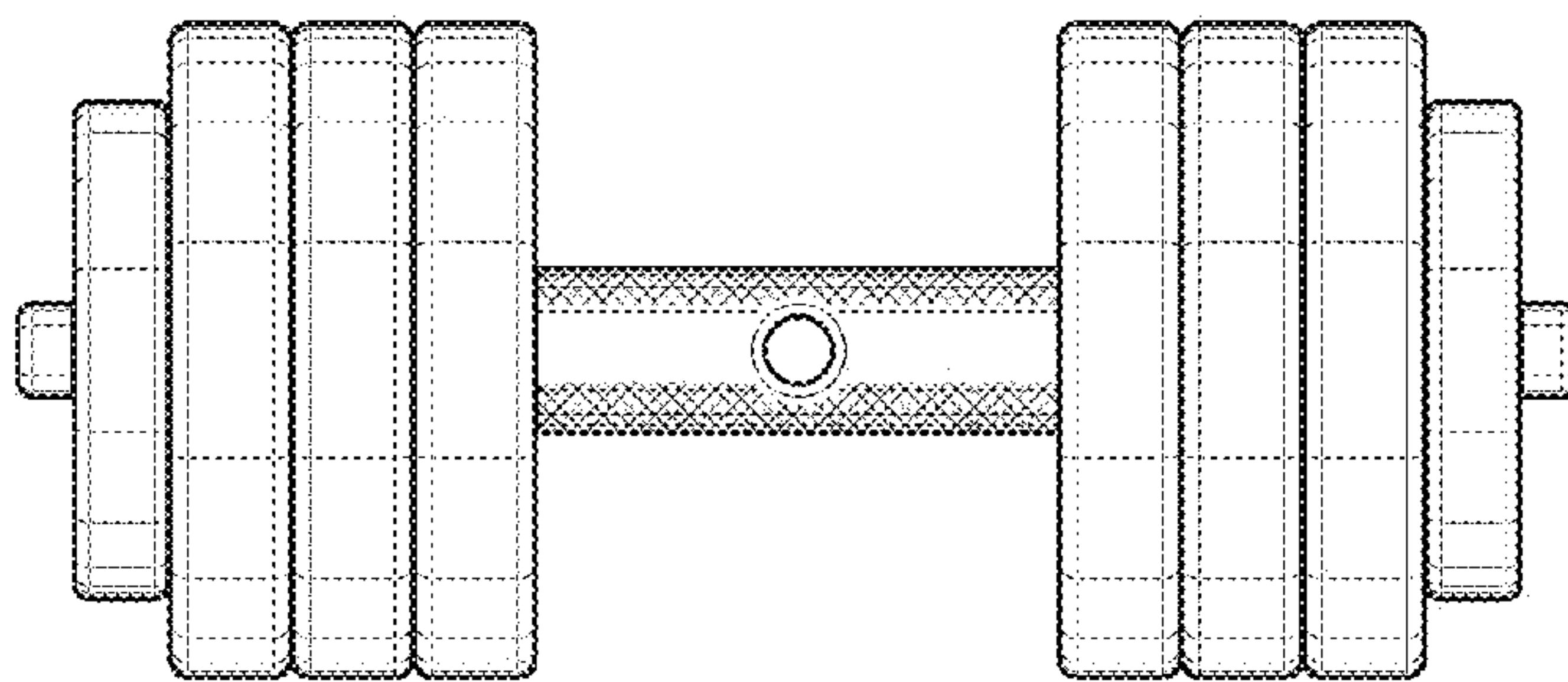


FIG. 3

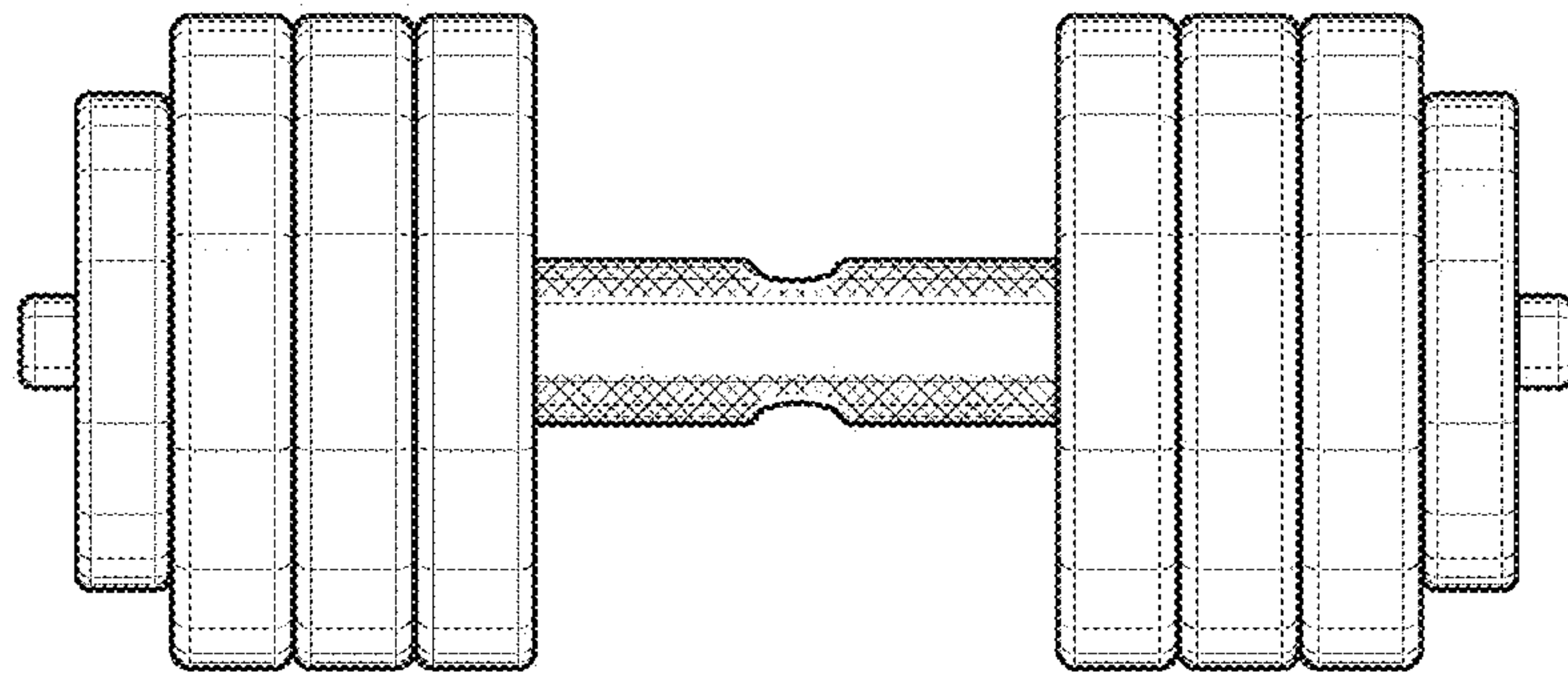


FIG. 4

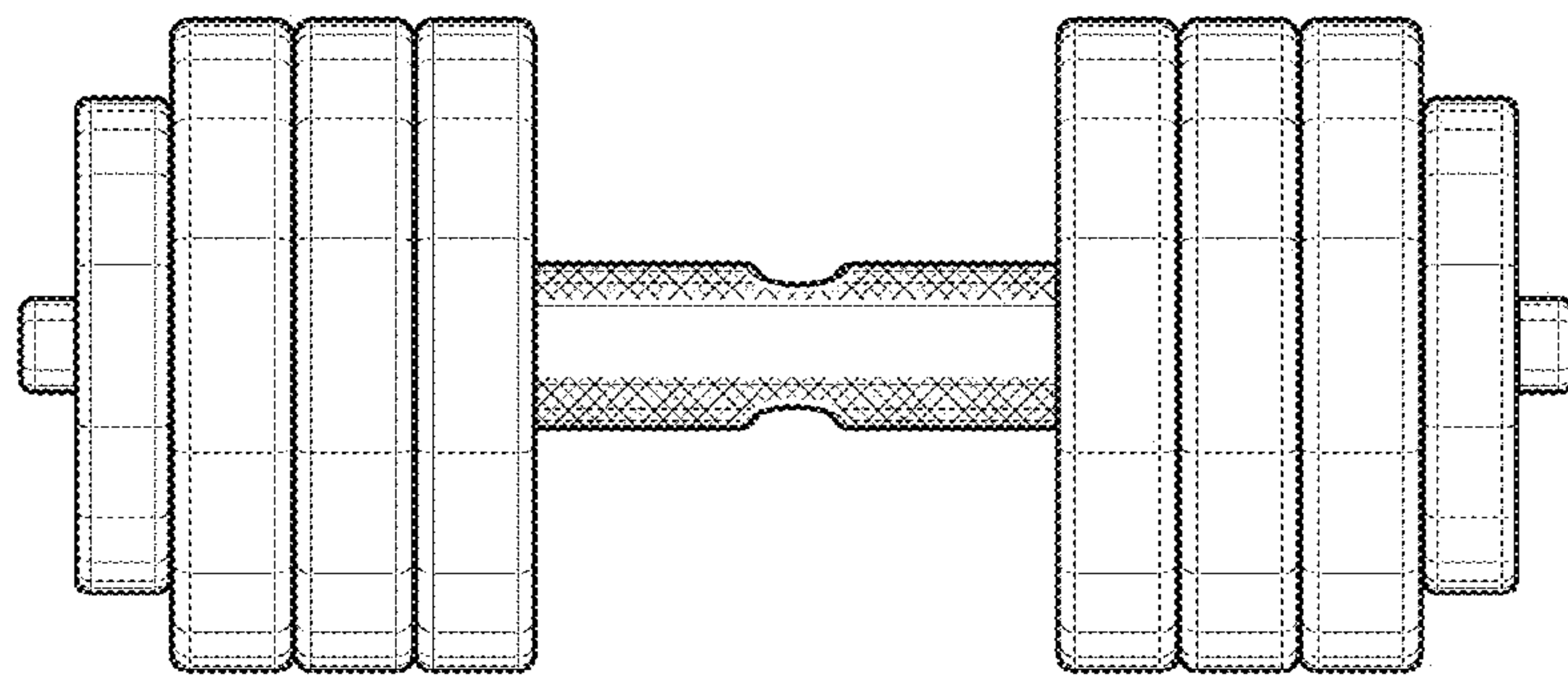


FIG. 5

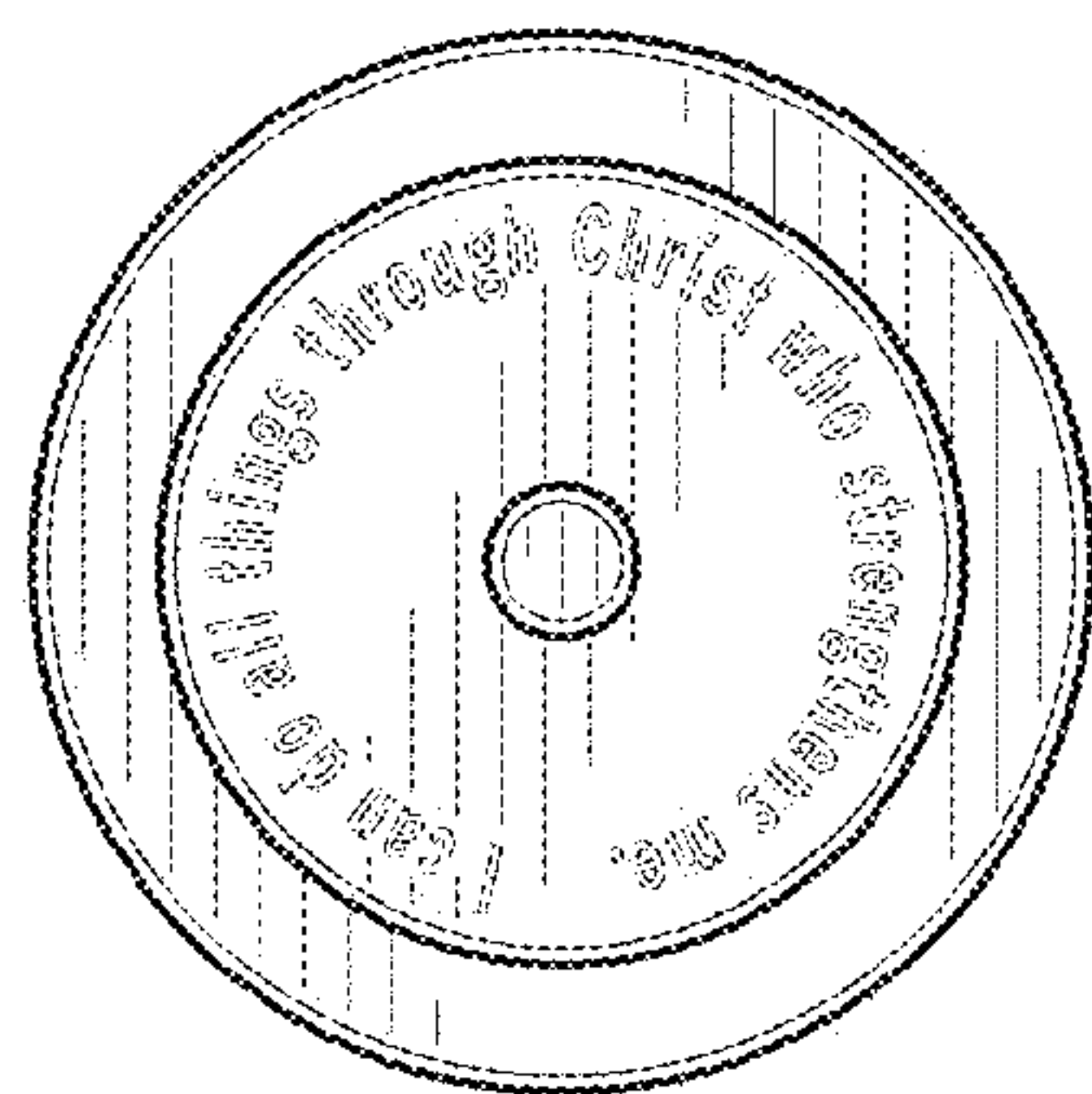


FIG. 6

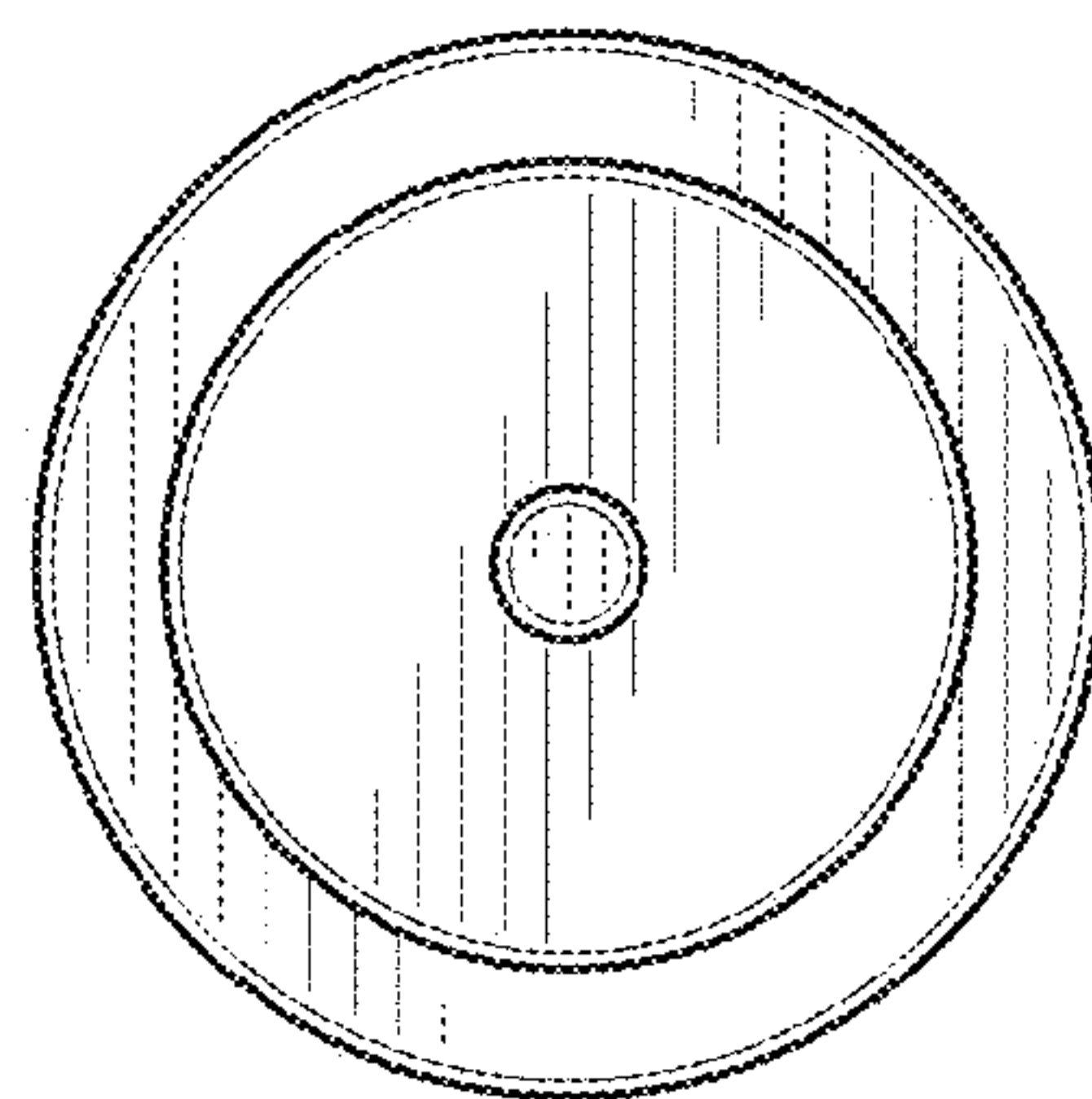


FIG. 7