



US00D746165S

(12) **United States Design Patent**  
**Li**

(10) **Patent No.:** **US D746,165 S**

(45) **Date of Patent:** **\*\* Dec. 29, 2015**

(54) **HOME SECURITY KEYPAD**

(71) Applicant: **Chuango Security Technology Corporation, Fuzhou (CN)**

(72) Inventor: **Chen Li, Fuzhou (CN)**

(73) Assignee: **Chuango Security Technology Corporation, Fuzhou (CN)**

(\*\*) Term: **14 Years**

(21) Appl. No.: **29/512,638**

(22) Filed: **Dec. 22, 2014**

(51) **LOC (10) Cl.** ..... **10-05**

(52) **U.S. Cl.**

USPC ..... **D10/104.1; D13/168**

(58) **Field of Classification Search**

USPC ..... D10/104.1, 106.1, 106.6, 106.9,  
D10/106.95; D14/137, 139, 140, 155, 156,  
D14/203.6, 230, 231, 238.1, 240, 242, 243,  
D14/218, 314, 509

CPC ..... H03J 1/0025; H03J 9/00; H03J 9/02;  
H03J 9/04; H03J 9/06; H01H 9/0235; H04B  
1/202; G05B 11/01; G08C 17/00; G08C  
17/02; G08B 13/00; G08B 13/189; G08B  
25/00; G08B 25/008; G08B 25/10

See application file for complete search history.

(56) **References Cited**

**U.S. PATENT DOCUMENTS**

D274,048 S \* 5/1984 Wong et al. .... D10/106.1  
5,243,430 A \* 9/1993 Emmons ..... 348/734  
D354,922 S \* 1/1995 Gartner ..... D10/106.95  
D371,793 S \* 7/1996 Patton ..... D14/218  
D383,689 S \* 9/1997 Issa ..... D10/104.1  
D451,417 S \* 12/2001 Simu-Brown ..... D10/106.1  
D483,281 S \* 12/2003 Cobigo ..... D10/104.1  
D511,985 S \* 11/2005 Kelly, Jr. .... D10/106.1

D533,799 S \* 12/2006 Thalhammer et al. .... D10/106.1  
D542,234 S \* 5/2007 Shimizu ..... D13/168  
D561,732 S \* 2/2008 Motoishi et al. .... D14/509  
D598,008 S \* 8/2009 Shimizu ..... D14/218  
D602,915 S \* 10/2009 Song et al. .... D14/218  
D618,121 S \* 6/2010 Penix et al. .... D10/106.9  
D625,295 S \* 10/2010 Nogueira et al. .... D14/218  
D626,963 S \* 11/2010 Kim ..... D14/420  
D627,306 S \* 11/2010 Charleux ..... D13/168  
D632,265 S \* 2/2011 Choi et al. .... D13/168  
D639,784 S \* 6/2011 Murayama et al. .... D14/218  
RE42,686 E \* 9/2011 Shimizu ..... D13/168  
D662,065 S \* 6/2012 Cook ..... D13/168  
D664,932 S \* 8/2012 Sedic ..... D13/168  
D673,512 S \* 1/2013 Huang ..... D13/168  
D687,009 S \* 7/2013 Song et al. .... D14/155  
8,653,969 B2 \* 2/2014 Haywood ..... 340/540  
D700,904 S \* 3/2014 Miller et al. .... D14/218  
D724,060 S \* 3/2015 Ahn et al. .... D14/218  
D726,161 S \* 4/2015 Howard et al. .... D14/218  
D729,773 S \* 5/2015 Salojarvi et al. .... D14/218  
2014/0267112 A1 \* 9/2014 Dunn et al. .... 345/173

\* cited by examiner

*Primary Examiner* — Selina Sikder

(74) *Attorney, Agent, or Firm* — Alan D. Kamrath; Kamrath IP Lawfirm, P.A.

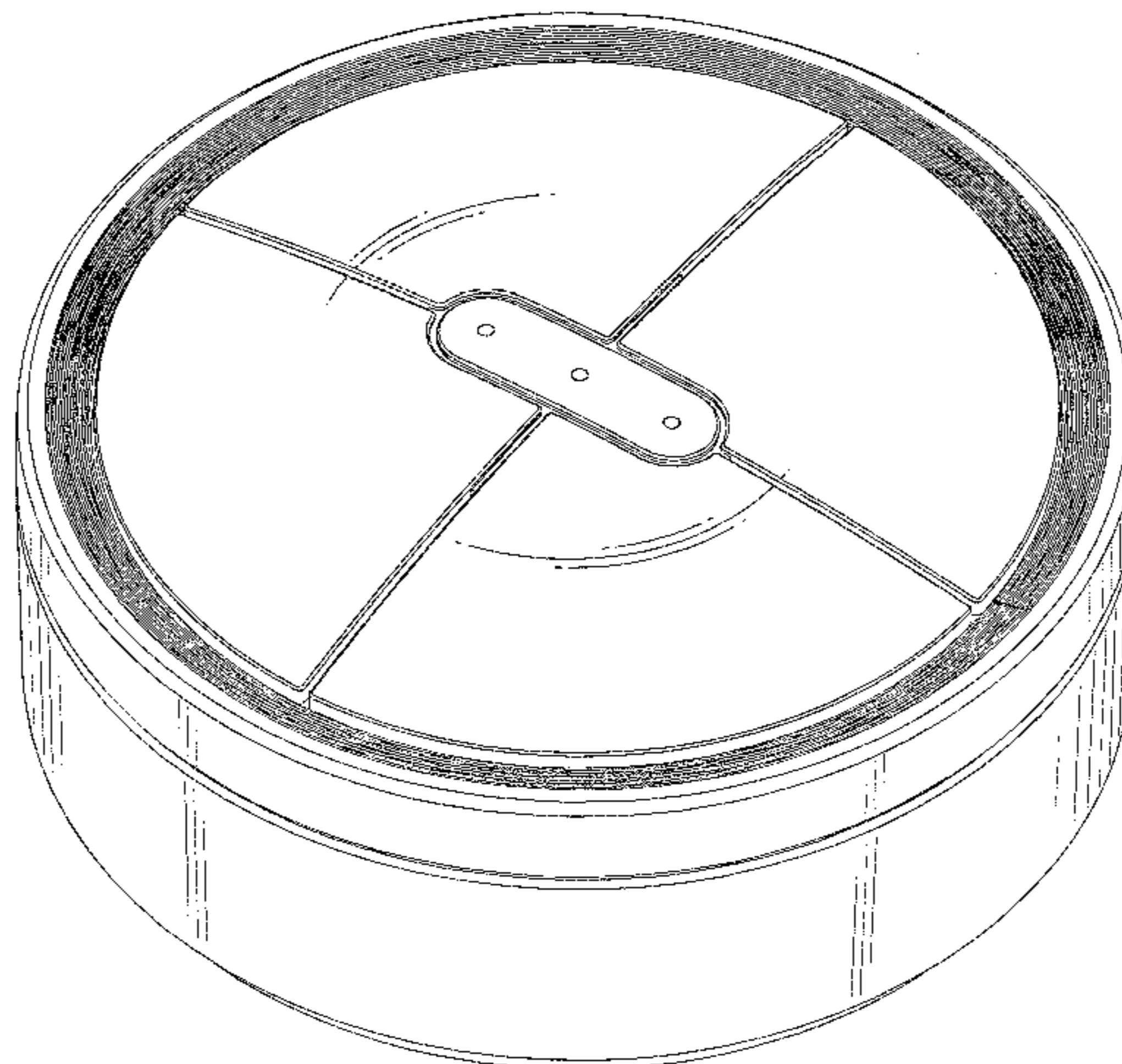
(57) **CLAIM**

The ornamental design for a home security keypad, as shown and described.

**DESCRIPTION**

FIG. 1 is a perspective view of a home security keypad in accordance with the design;  
FIG. 2 is a front view thereof;  
FIG. 3 is a rear view thereof;  
FIG. 4 is a left view thereof;  
FIG. 5 is a right view thereof;  
FIG. 6 is a top view thereof; and,  
FIG. 7 is a bottom view thereof.

**1 Claim, 5 Drawing Sheets**



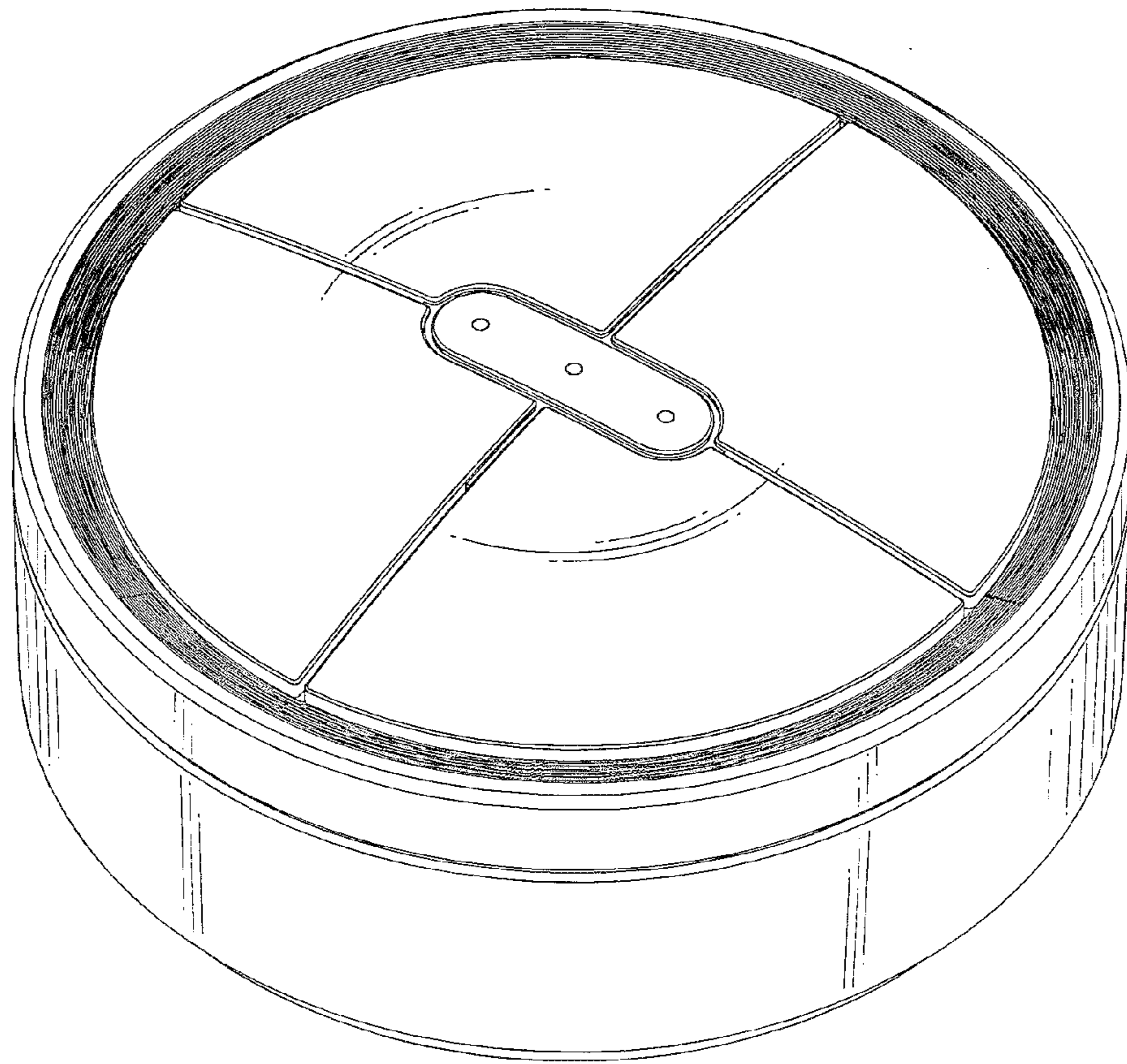


FIG. 1

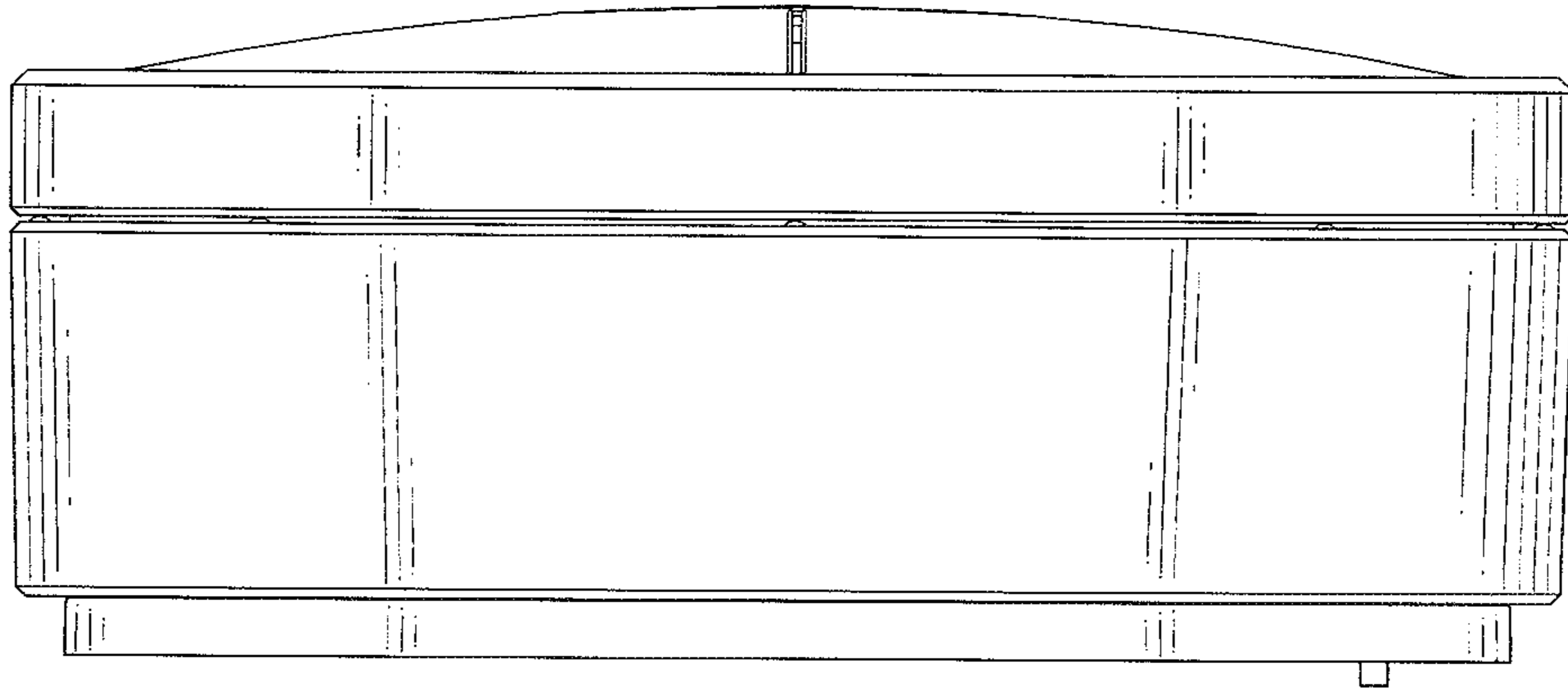


FIG. 2

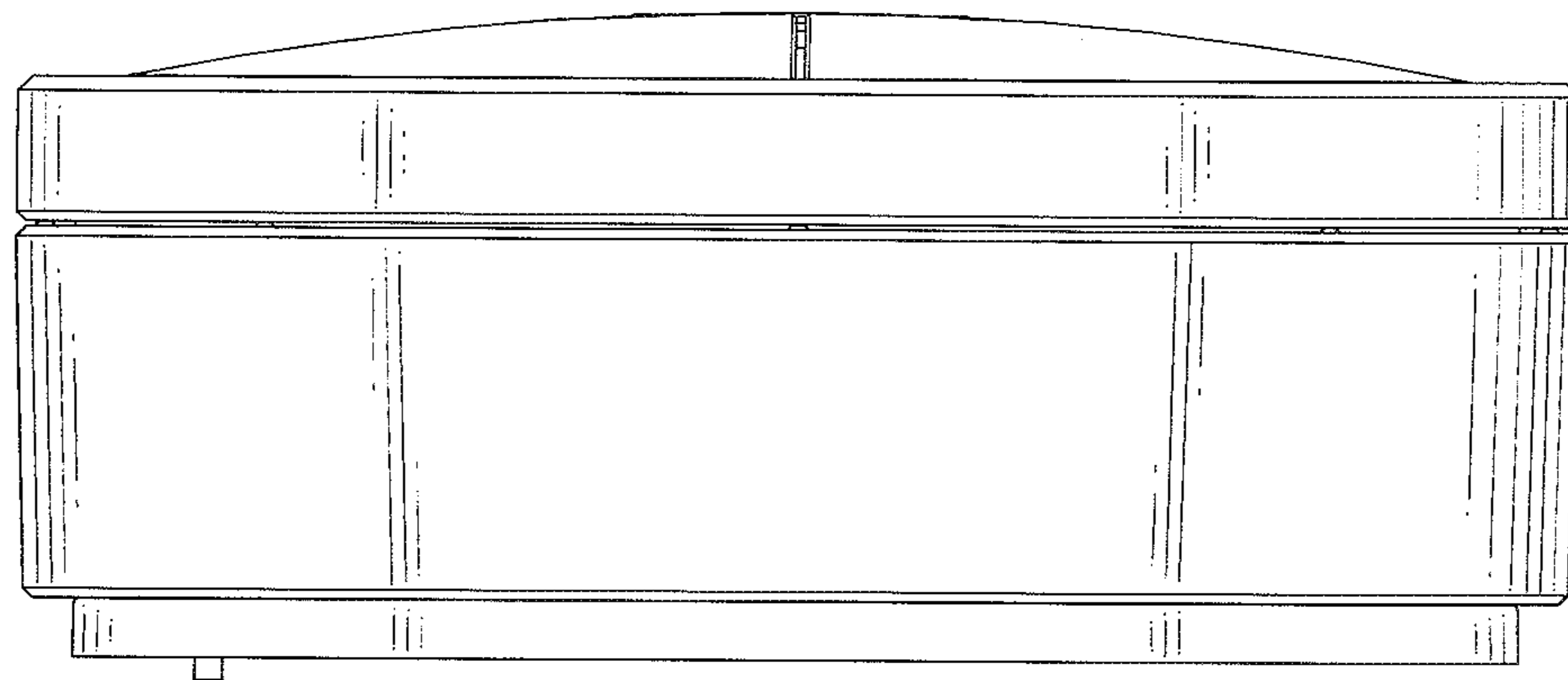


FIG. 3

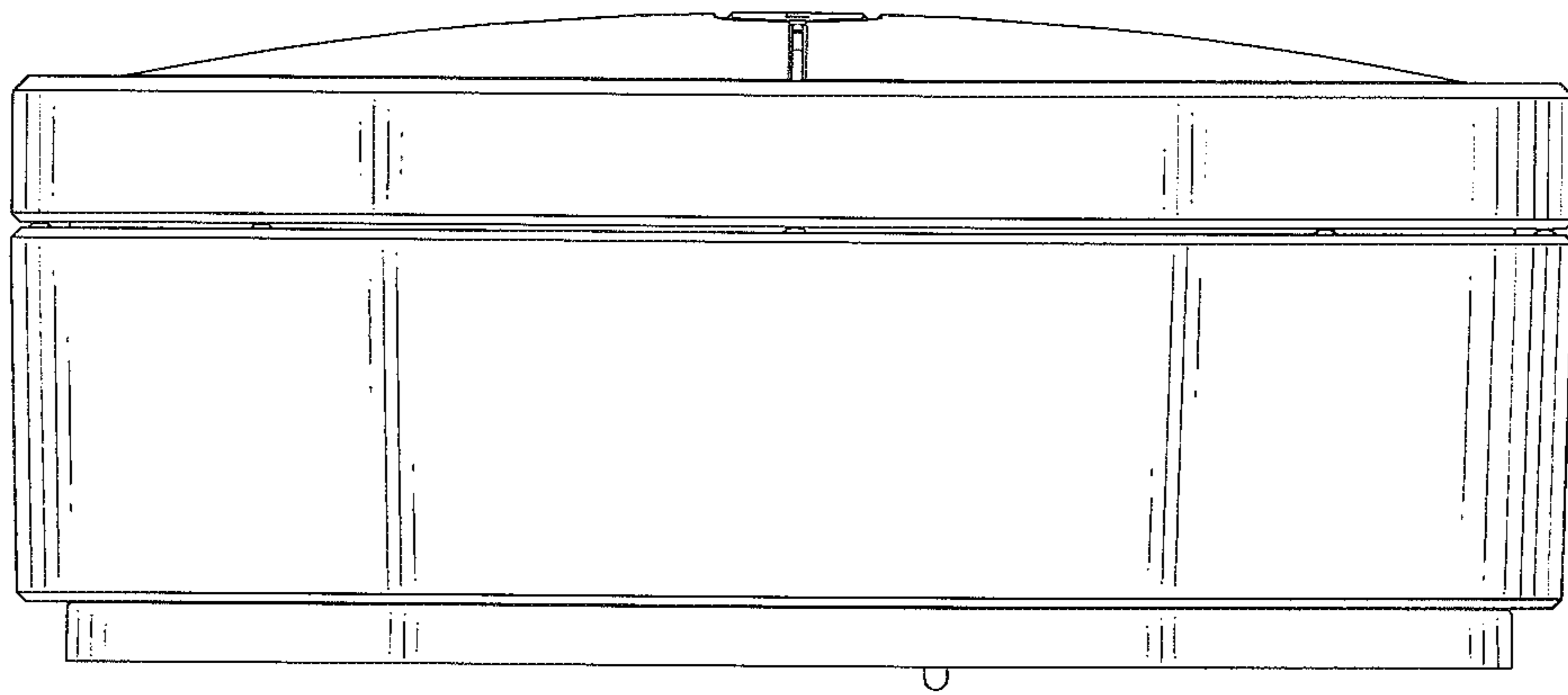


FIG. 4

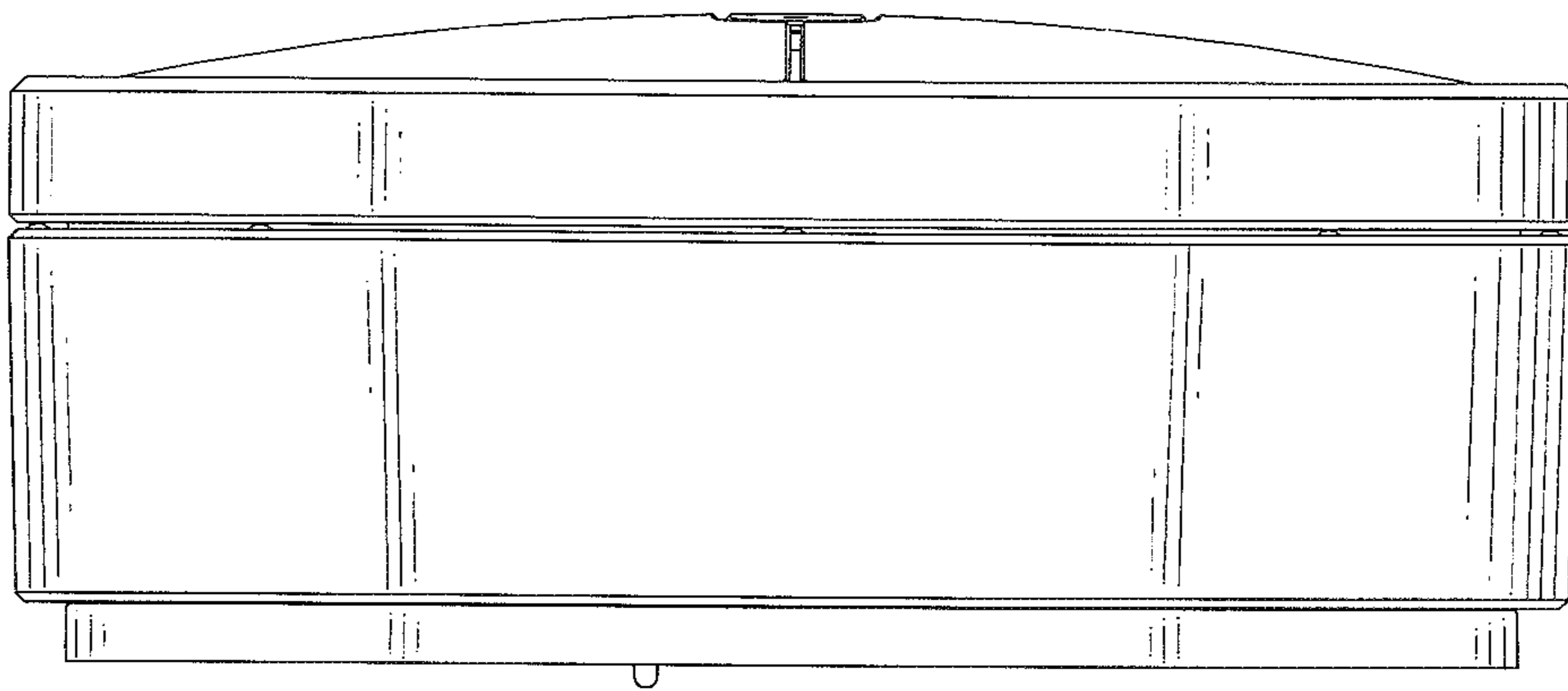


FIG. 5



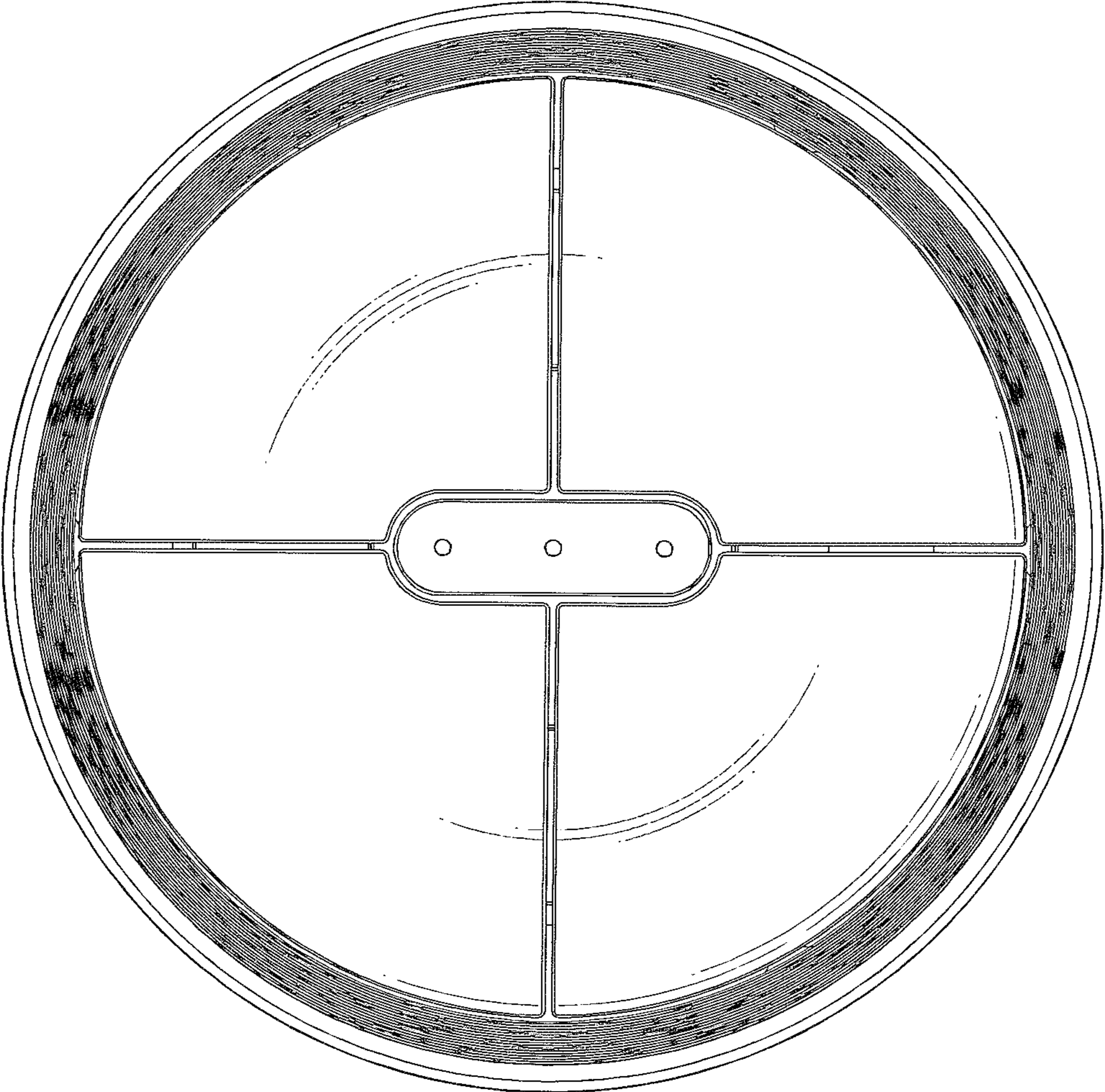


FIG. 6

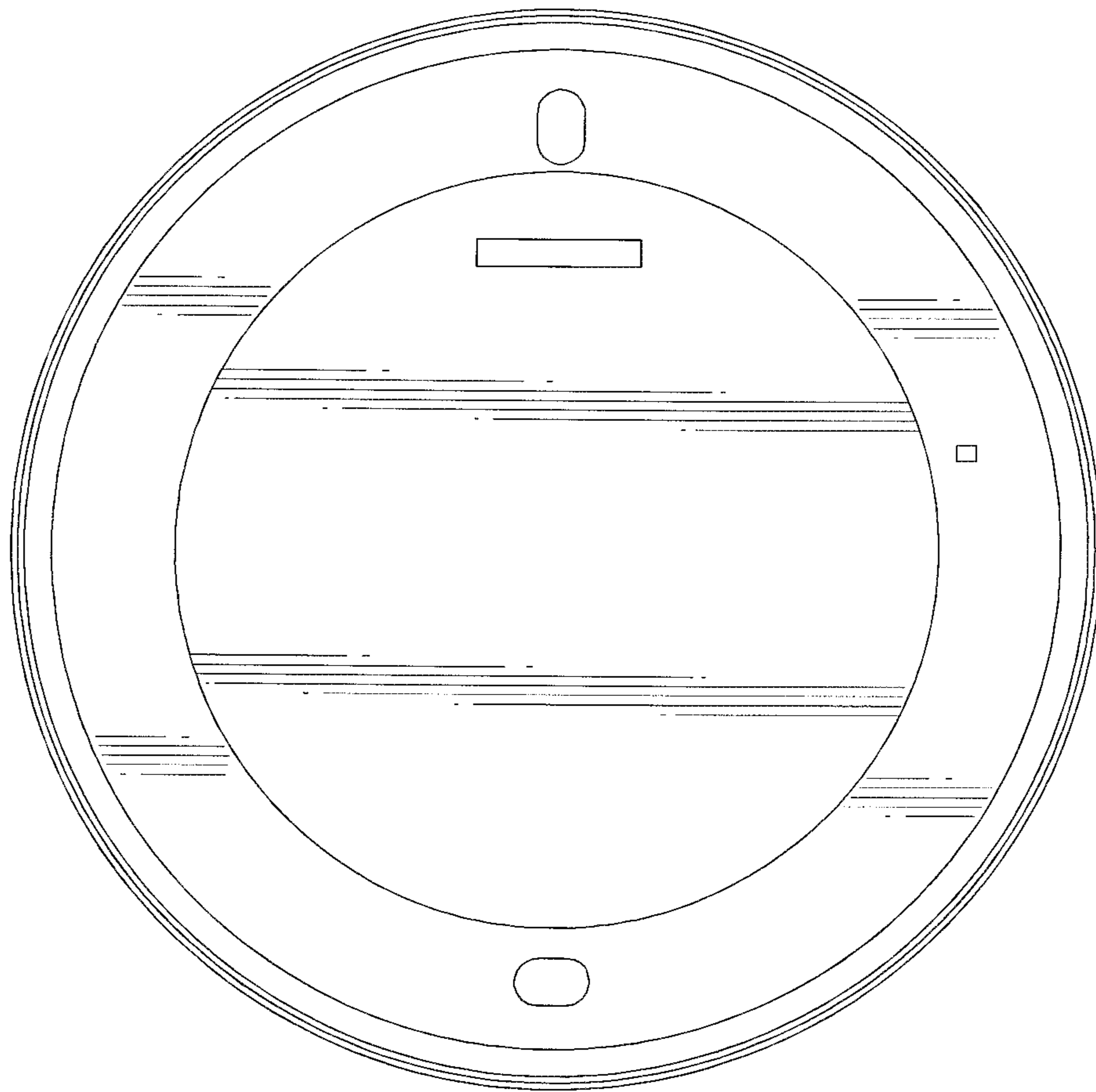


FIG. 7