



US00D746162S

(12) **United States Design Patent**
Roberts

(10) **Patent No.:** **US D746,162 S**
(45) **Date of Patent:** **** Dec. 29, 2015**

(54) **MORAL COMPASS**

(56) **References Cited**

(71) Applicant: **Lisa Sellers Roberts**, Liberty Hill, TX
(US)

U.S. PATENT DOCUMENTS

3,552,029 A * 1/1971 Wayne 33/349

* cited by examiner

(72) Inventor: **Lisa Sellers Roberts**, Liberty Hill, TX
(US)

Primary Examiner — Antoine D Davis

(**) Term: **14 Years**

(57) **CLAIM**

The ornamental design for a moral compass, as shown and described.

(21) Appl. No.: **29/497,615**

DESCRIPTION

(22) Filed: **Jul. 25, 2014**

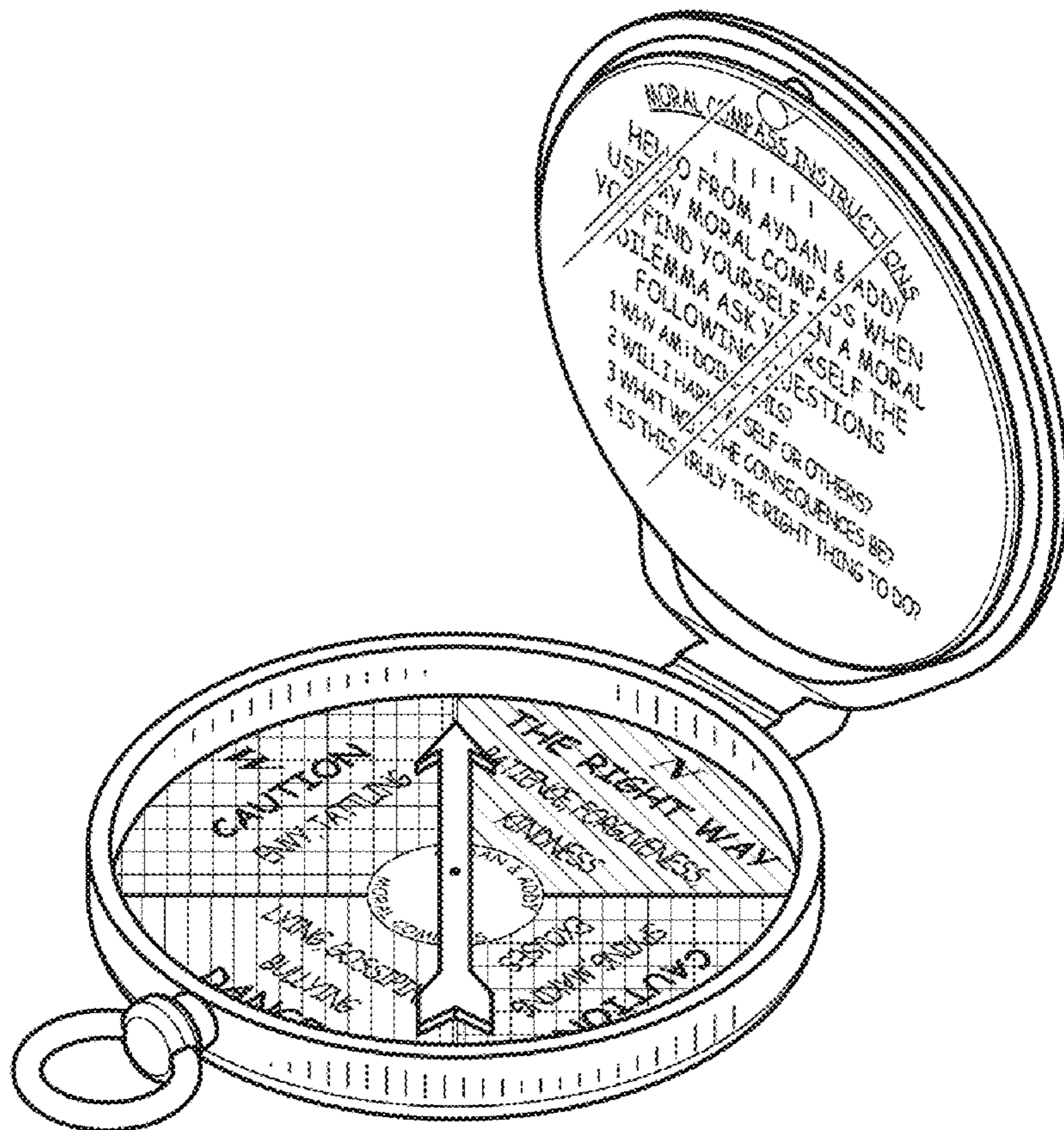
FIG. 1 is a perspective front view of a moral compass;
FIG. 2 is a front elevation view of the moral compass;
FIG. 3 is a rear elevation view of the moral compass;
FIG. 4 is a left side elevation view of the moral compass;
FIG. 5 is a right side elevation view of the moral compass;
FIG. 6 is a top elevation view of the moral compass;
FIG. 7 is a bottom elevation view of the moral compass; and,
FIG. 8 is a perspective front view of the moral compass,
wherein the magnifying glass is in the up position.

(51) **LOC (10) Cl.** **10-04**

(52) **U.S. Cl.**
USPC **D10/68**

(58) **Field of Classification Search**
USPC D10/68
CPC G01C 17/00-17/38
See application file for complete search history.

1 Claim, 4 Drawing Sheets



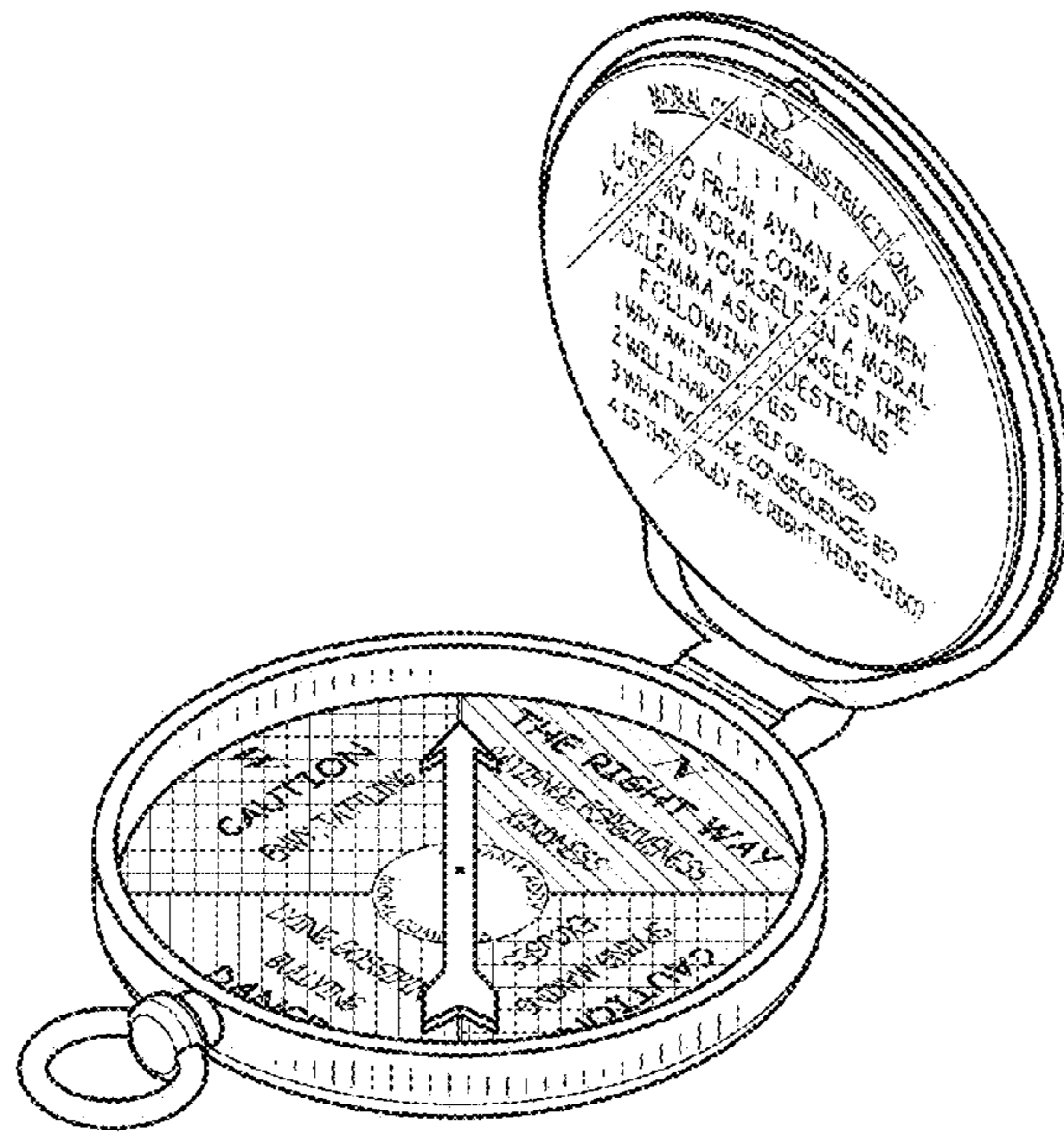


FIG. 1

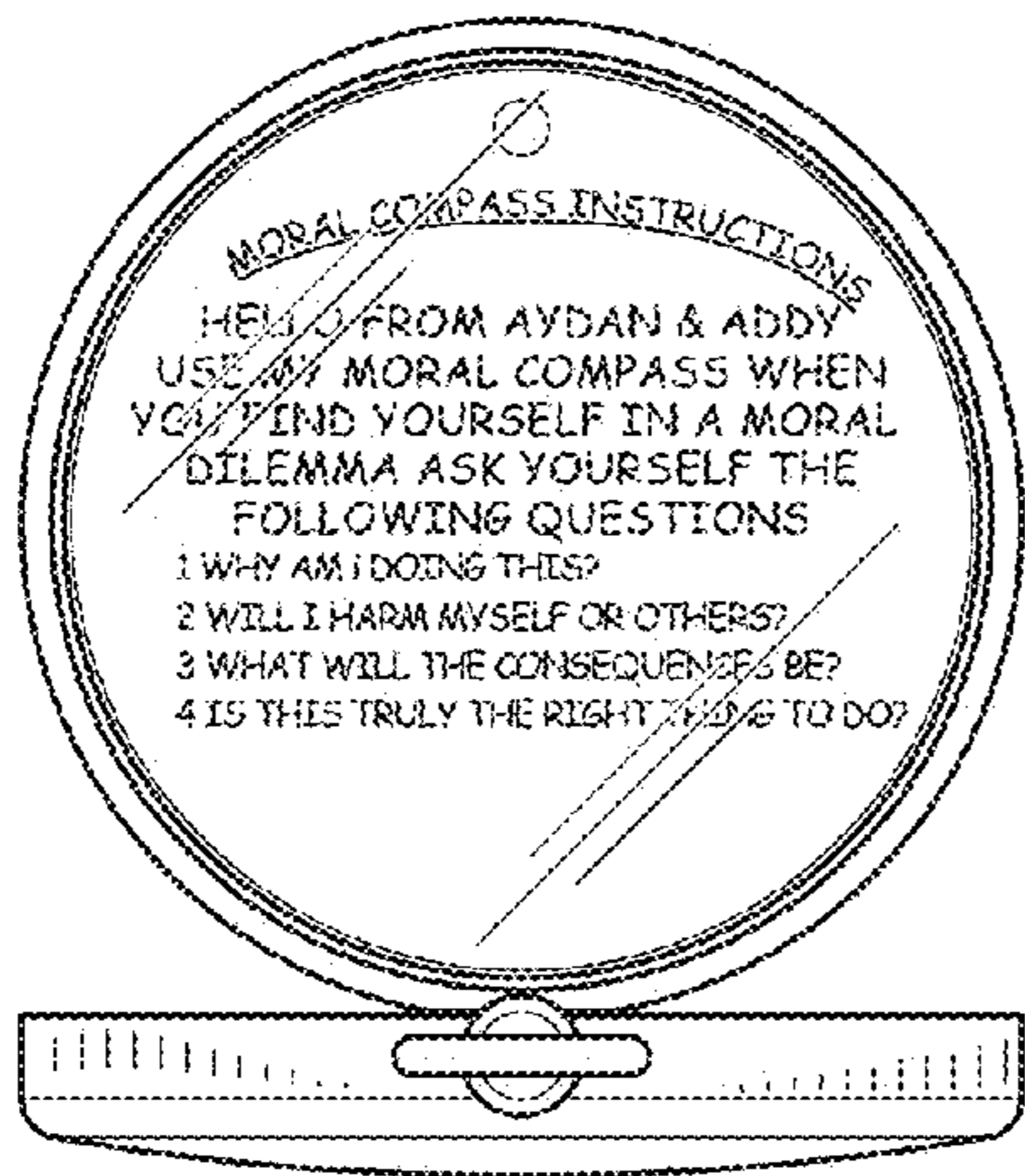


FIG. 2

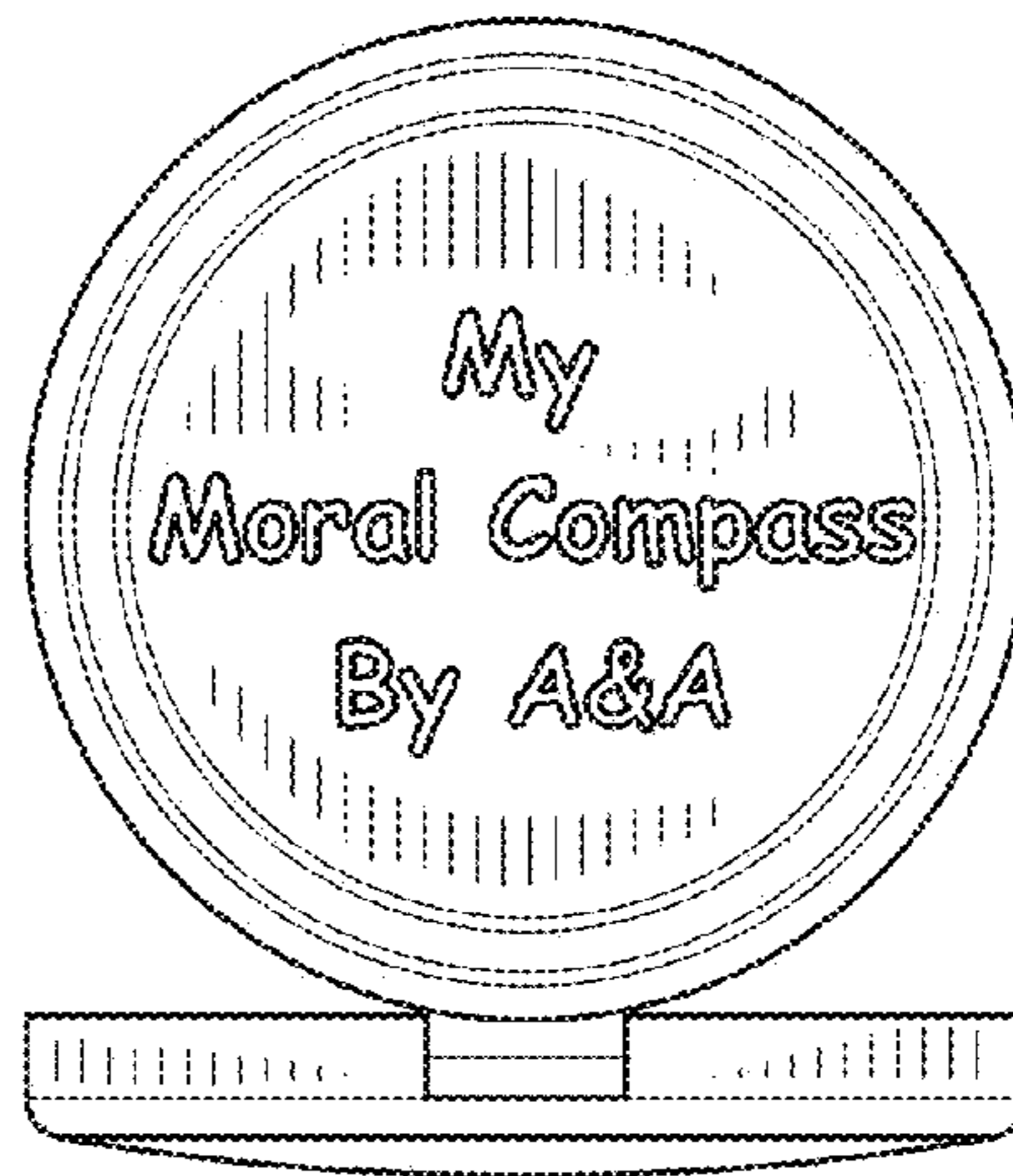


FIG. 3

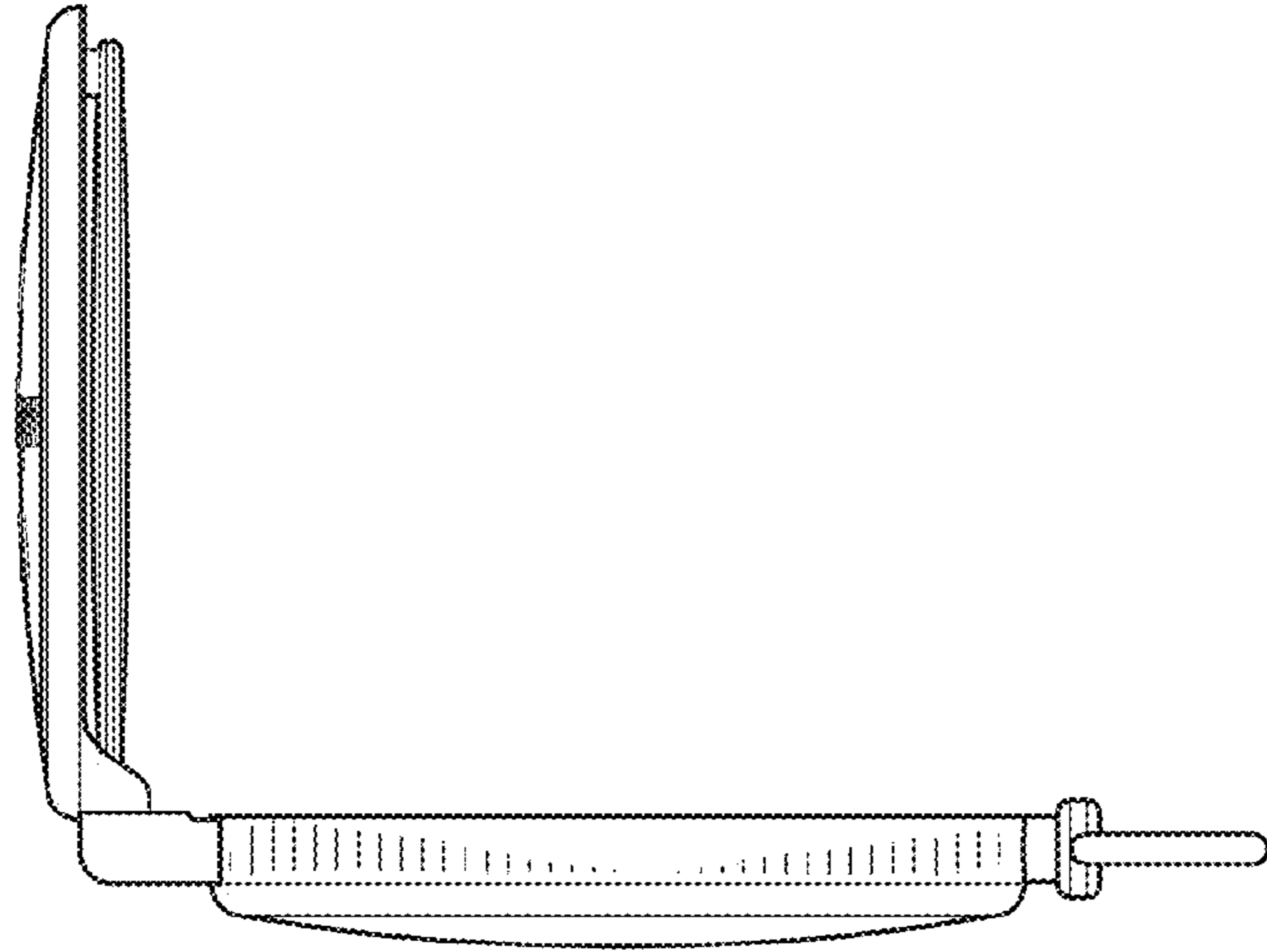


FIG. 4

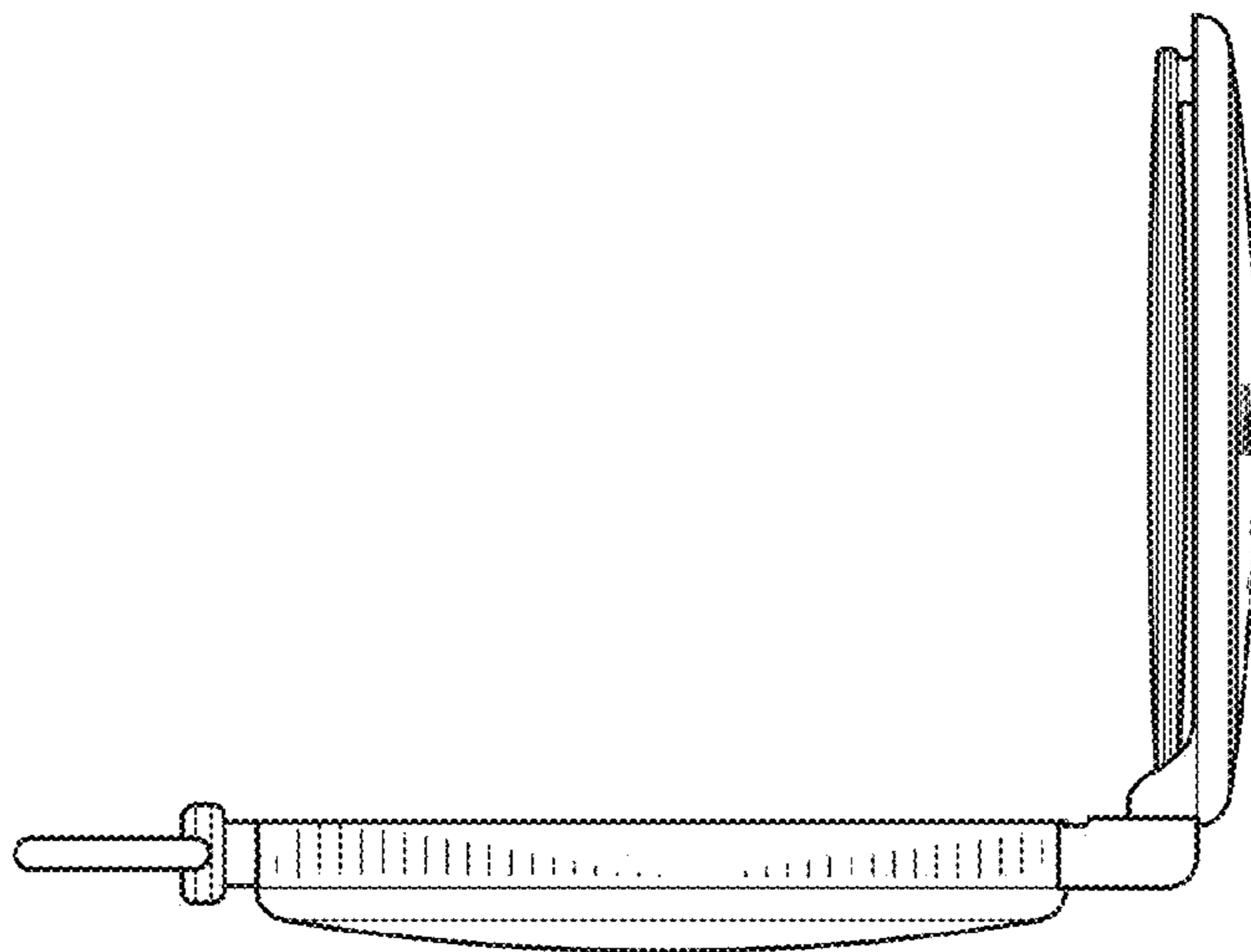


FIG. 5

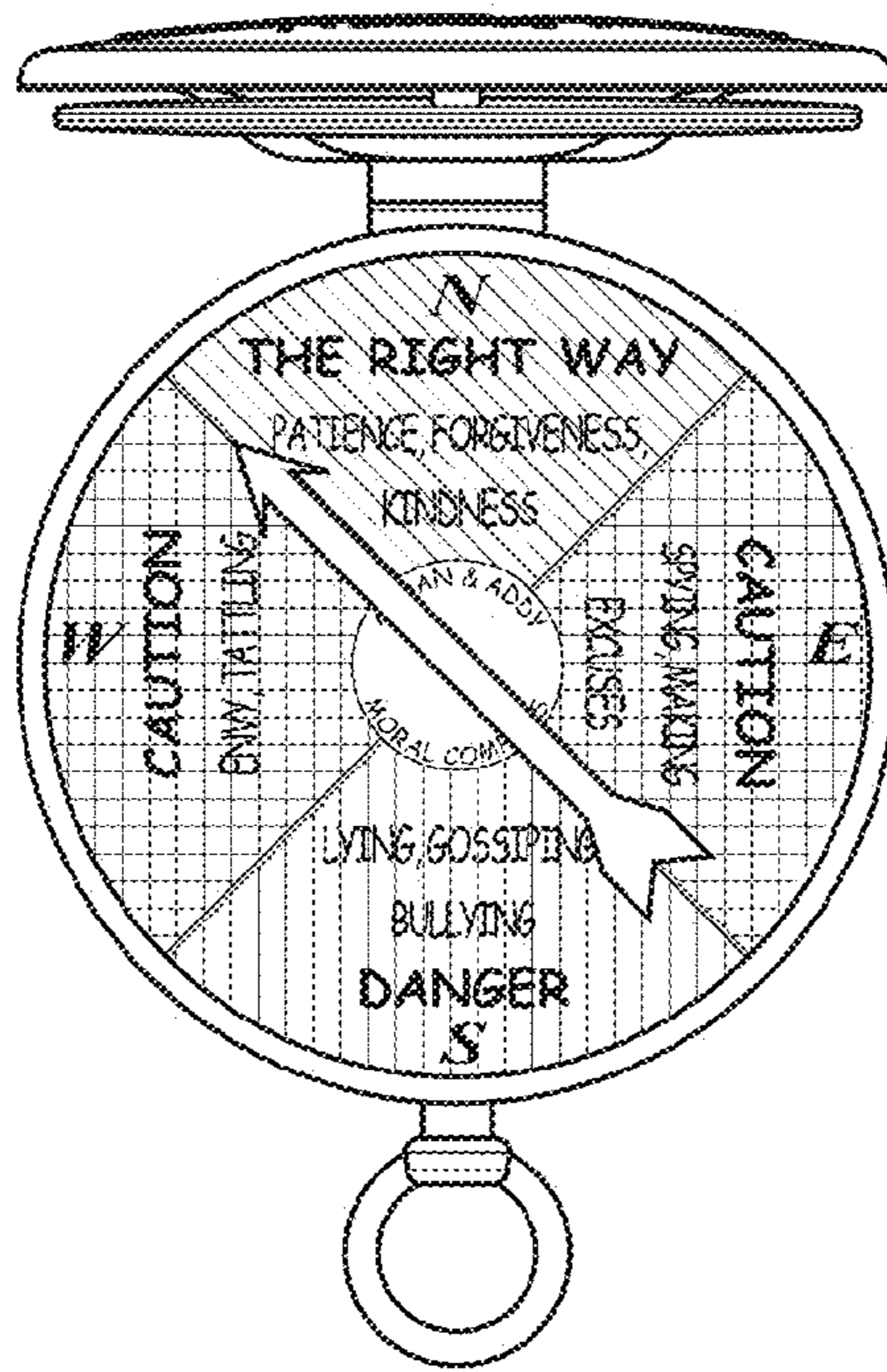


FIG. 6

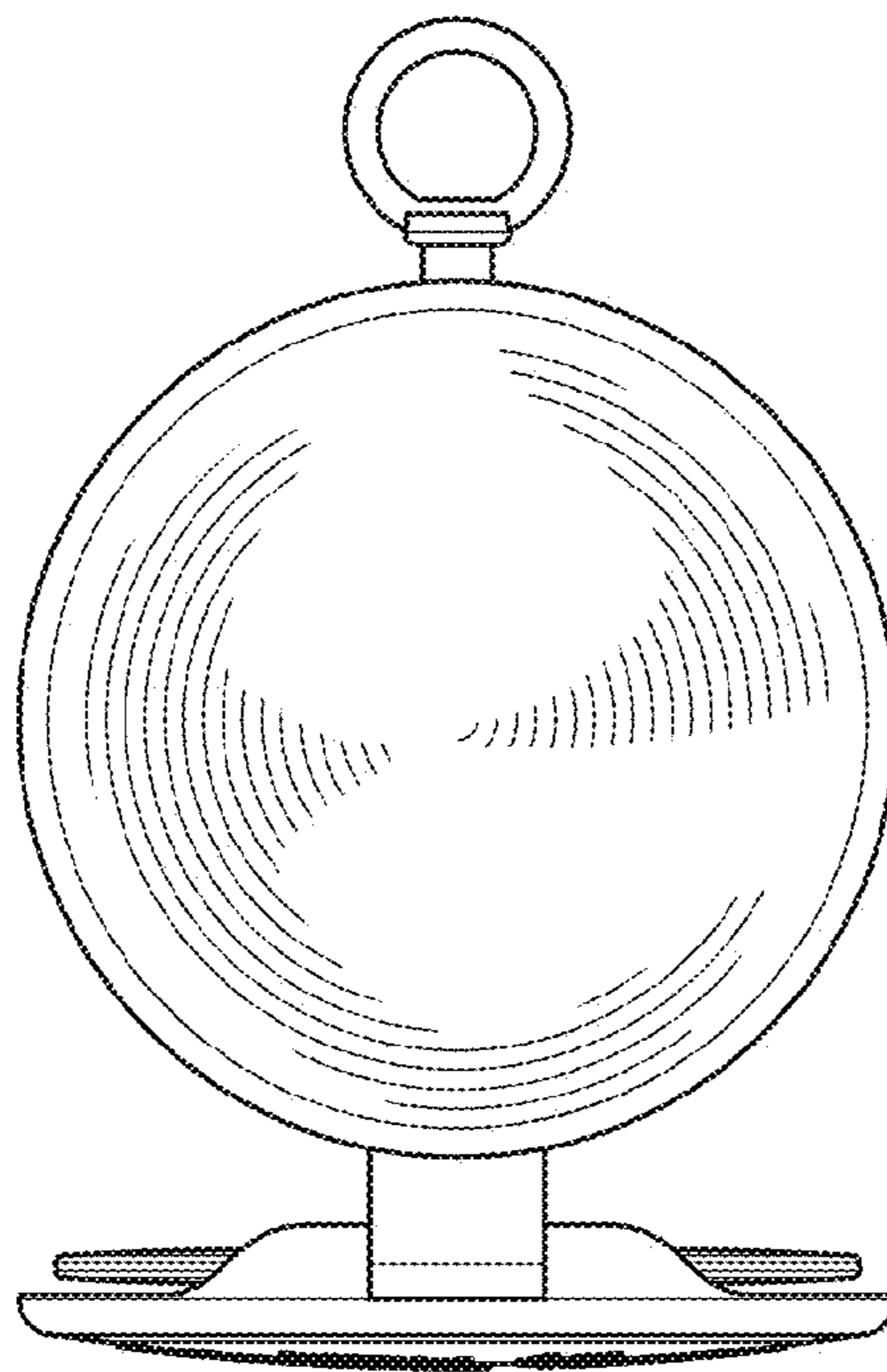


FIG. 7

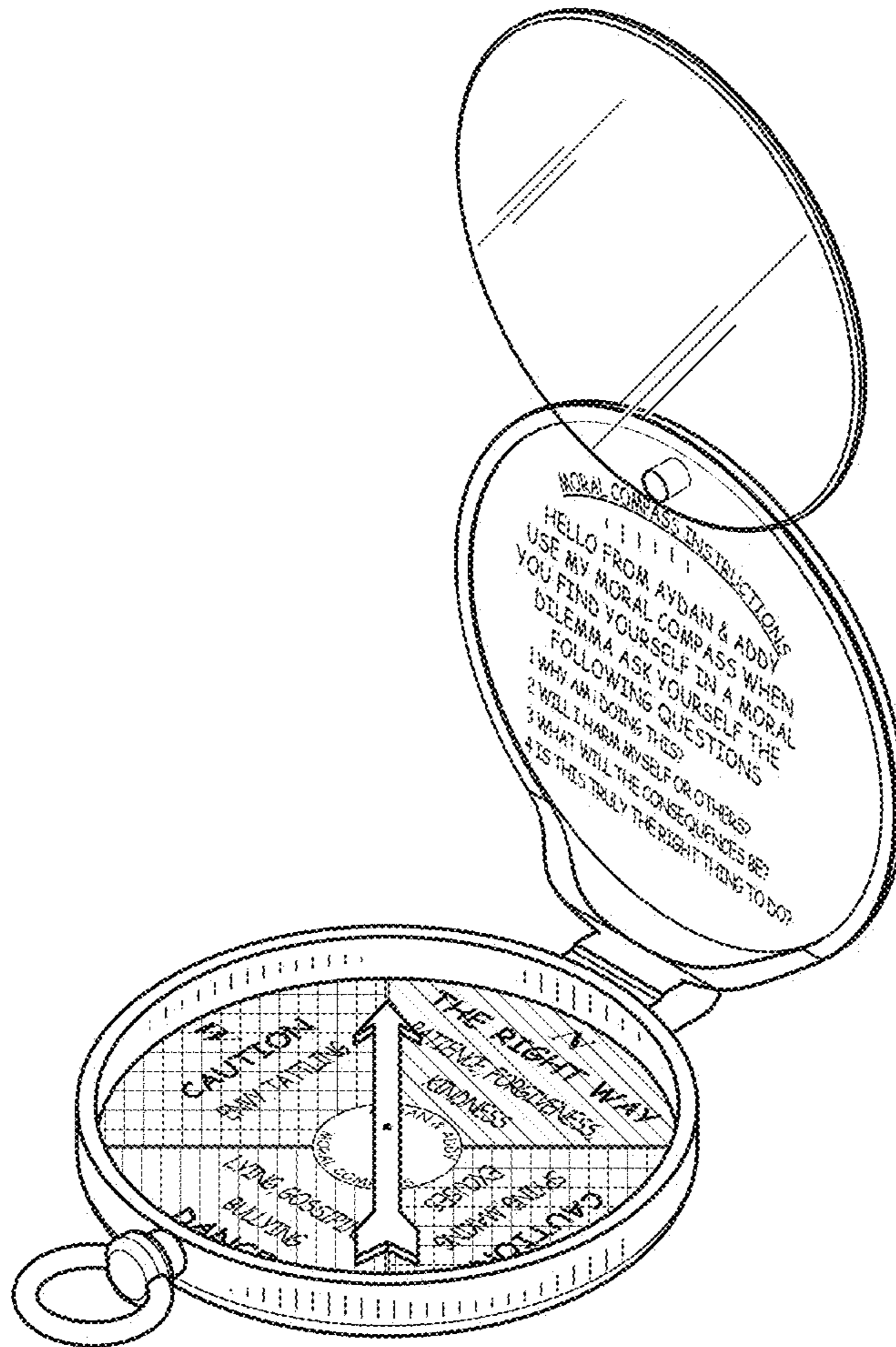


FIG. 8