



US00D746161S

(12) **United States Design Patent**
Vardi

(10) **Patent No.:** **US D746,161 S**
(45) **Date of Patent:** **** Dec. 29, 2015**

- (54) **TEMPERATURE SENSING DEVICE**
- (71) Applicant: **Michael Ariel Vardi**, Herzeliya (IL)
- (72) Inventor: **Michael Ariel Vardi**, Herzeliya (IL)
- (73) Assignee: **Tempdrop Ltd.**, Herzeliya (IL)
- (**) Term: **14 Years**
- (21) Appl. No.: **29/515,374**
- (22) Filed: **Jan. 22, 2015**
- (51) **LOC (10) Cl.** **10-04**
- (52) **U.S. Cl.**
USPC **D10/52; D10/57**
- (58) **Field of Classification Search**
USPC D10/52, 57
CPC A61H 2201/1683; A61H 2201/1685;
A61H 2201/1688; A61H 2201/169; A61H
2201/5043; A61H 2201/5046; A61H
2201/5058; A61H 2201/5082; A61H 2230/50;
A61H 2230/505
See application file for complete search history.

Primary Examiner — Antoine D Davis
(74) *Attorney, Agent, or Firm* — Clements Bernard PLLC;
Christopher L. Bernard; Lawrence A. Baratta, Jr.

(57) **CLAIM**

The ornamental design for a temperature sensing device, as shown and described.

DESCRIPTION

FIG. 1 is a perspective view of the temperature sensing device of the present invention, showing the new, original, and ornamental design;

FIG. 2 is a top view of the temperature sensing device of the present invention, showing the new, original, and ornamental design;

FIG. 3 is a bottom view of the temperature sensing device of the present invention, showing the new, original, and ornamental design;

FIG. 4 is a front view of the temperature sensing device of the present invention, showing the new, original, and ornamental design;

FIG. 5 is a back view of the temperature sensing device of the present invention, showing the new, original, and ornamental design;

FIG. 6 is a left side view of the temperature sensing device of the present invention, showing the new, original, and ornamental design; and,

FIG. 7 is a right side view of the temperature sensing device of the present invention, showing the new, original, and ornamental design.

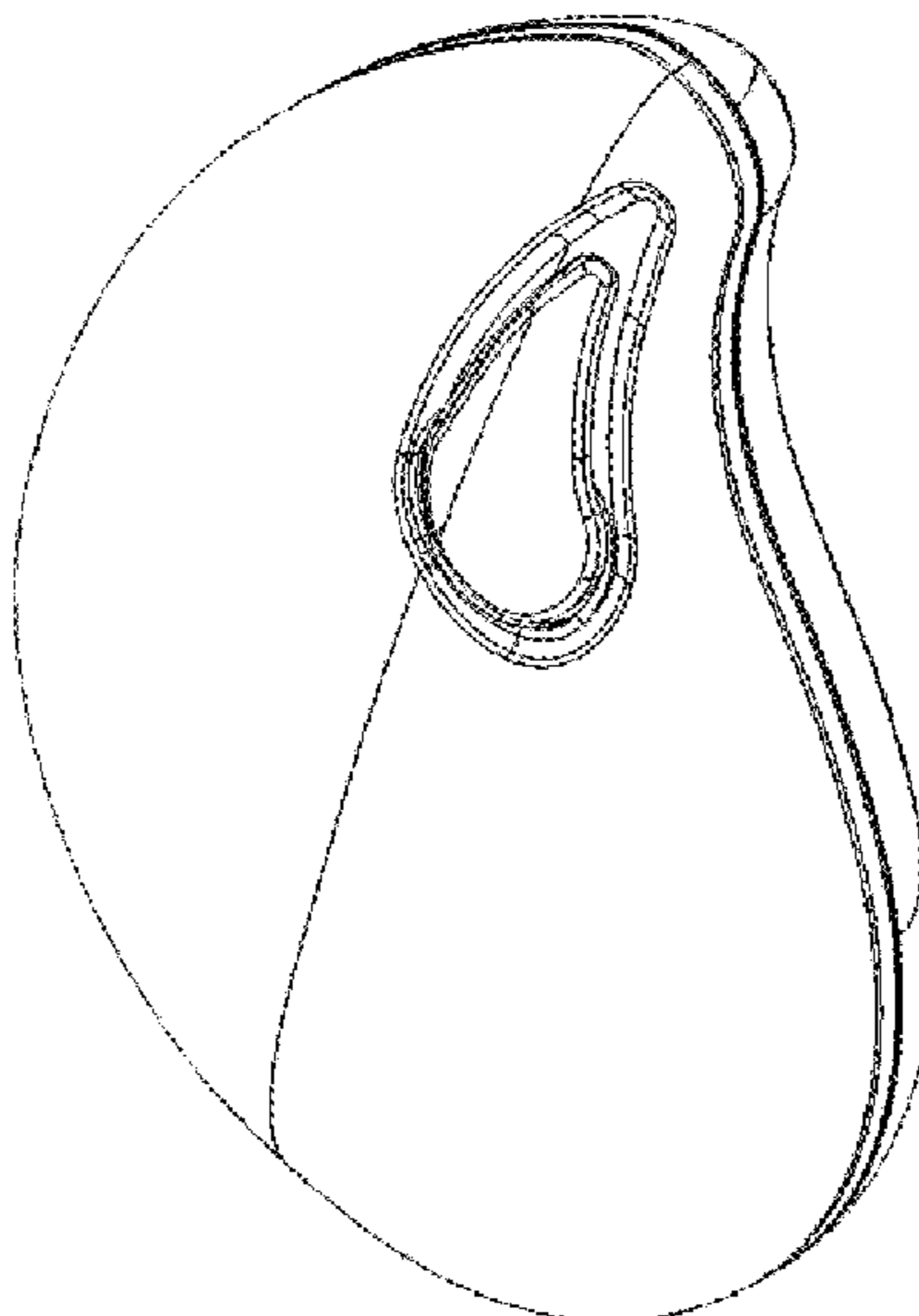
(56) **References Cited**

U.S. PATENT DOCUMENTS

D523,360 S *	6/2006	Lee	D10/57
7,590,445 B1 *	9/2009	Kroll	A61H 23/0263 607/4
D704,575 S *	5/2014	Maresova	D10/57
8,740,825 B2 *	6/2014	Ehrenreich	A61H 1/00 381/151
8,821,421 B2 *	9/2014	Imboden	A61H 19/30 601/134
9,011,316 B2 *	4/2015	Mertens	A61H 19/34 600/38

* cited by examiner

1 Claim, 7 Drawing Sheets



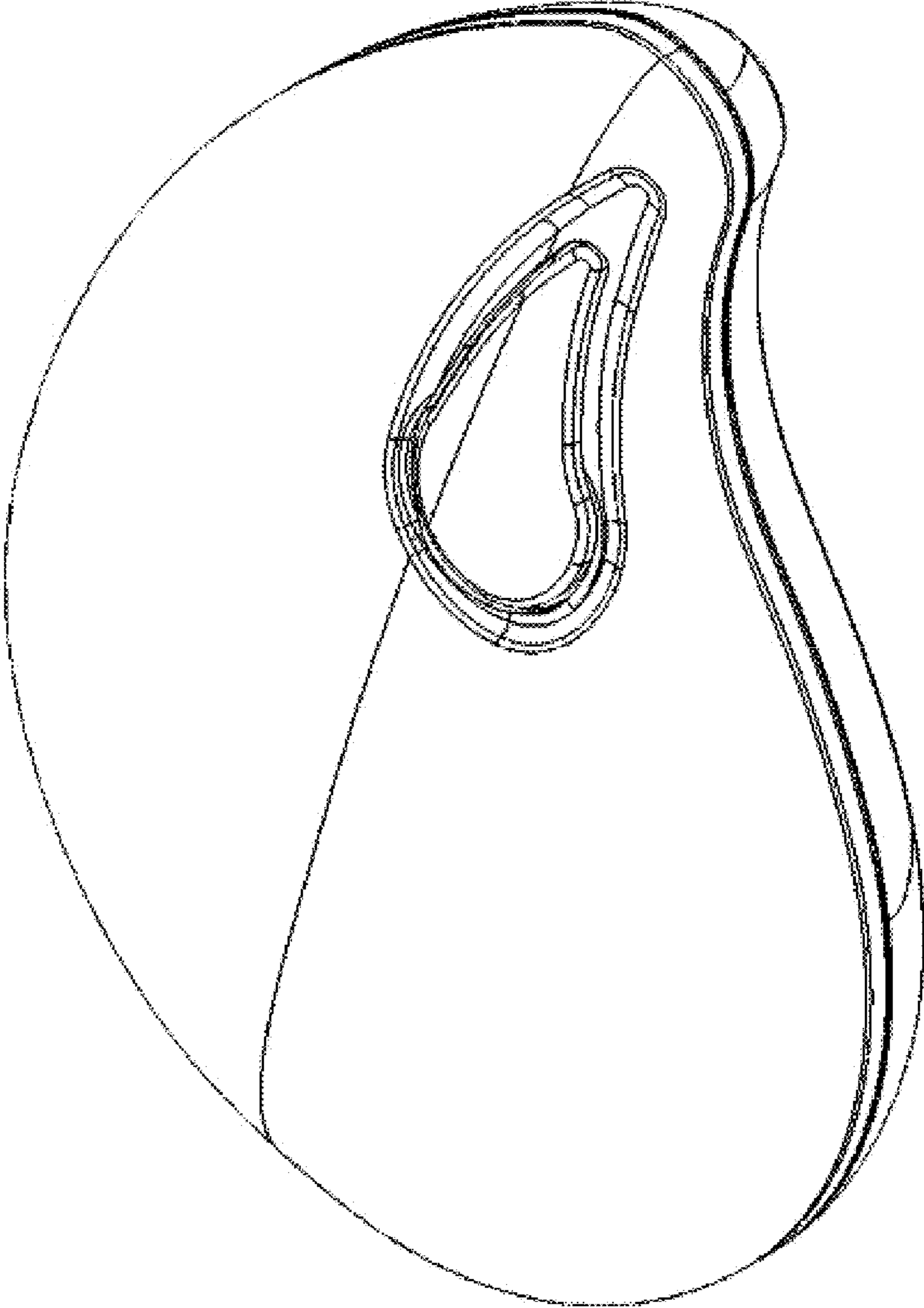


FIG. 1

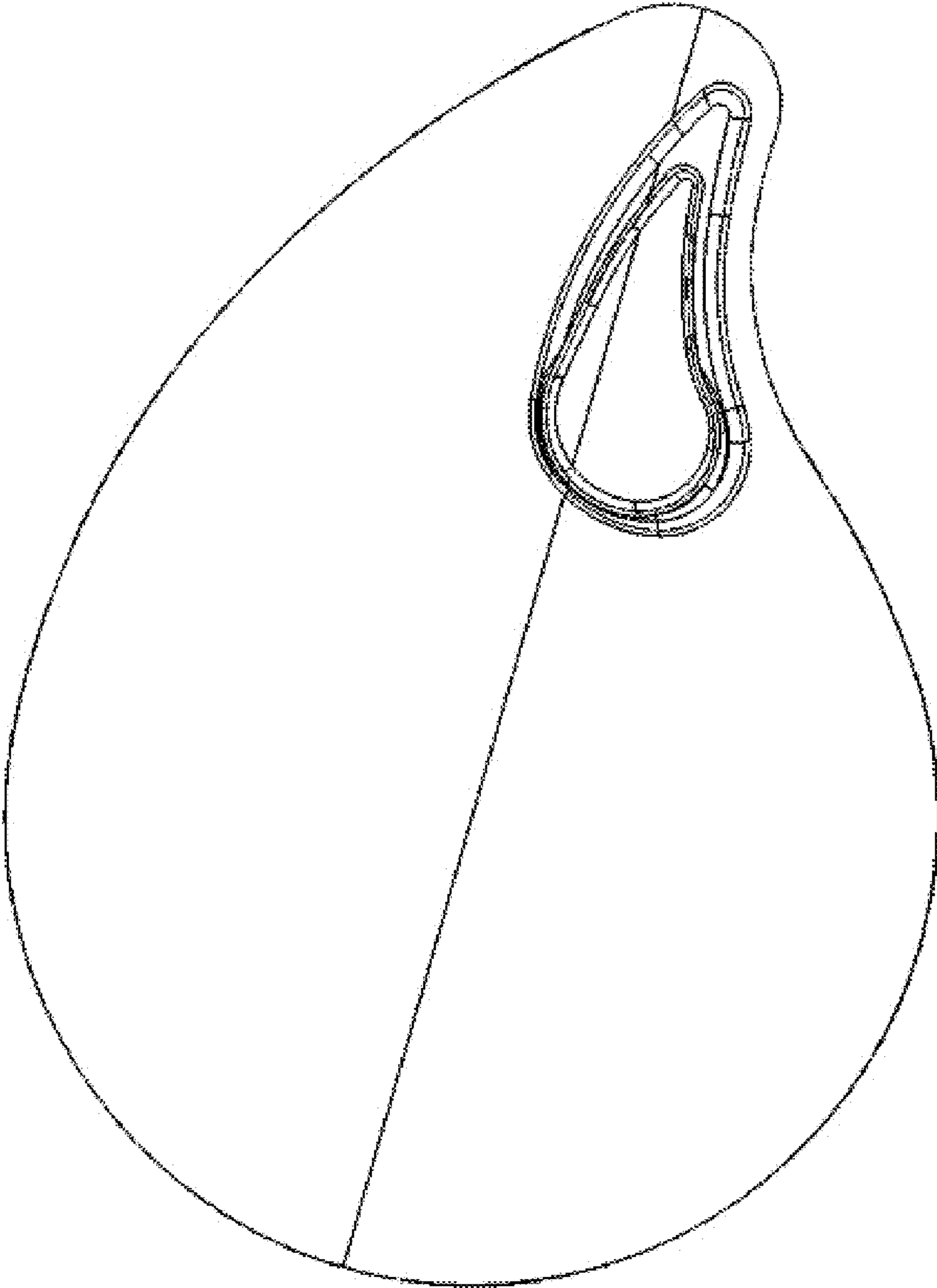


FIG. 2

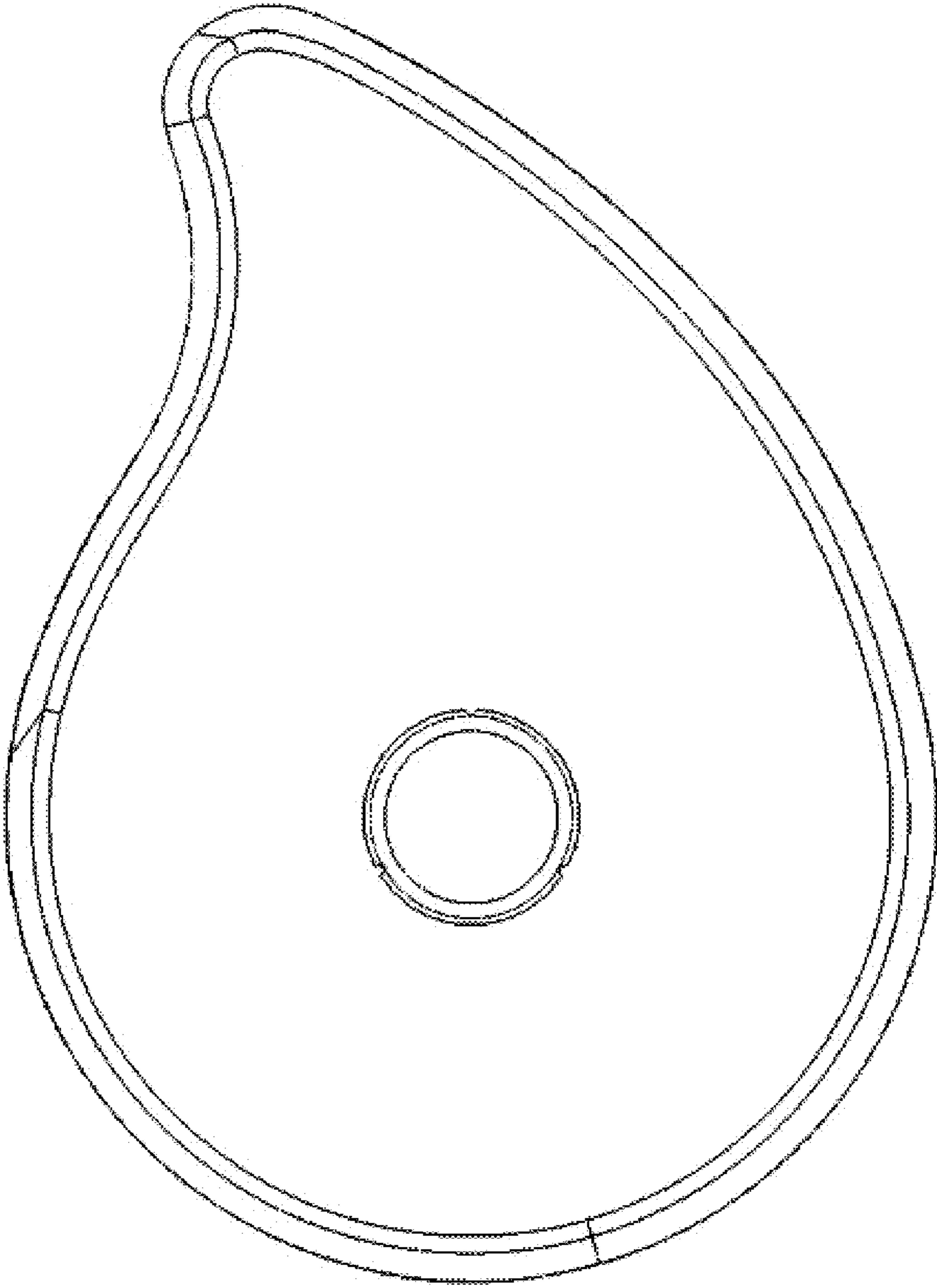


FIG. 3

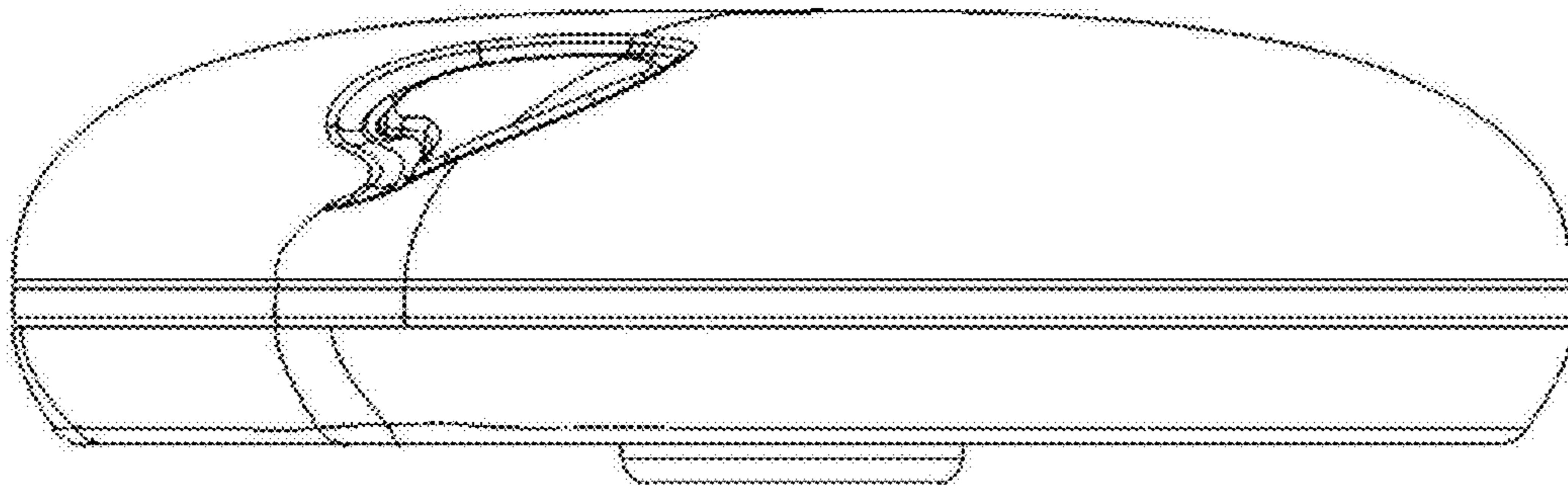


FIG. 4

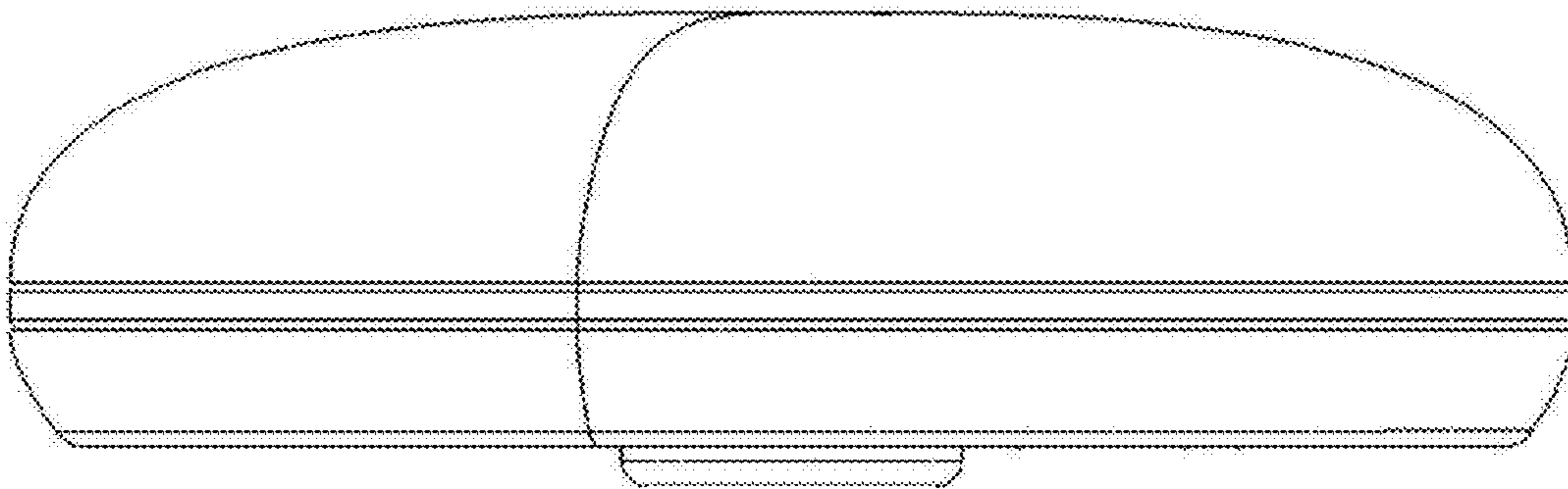


FIG. 5

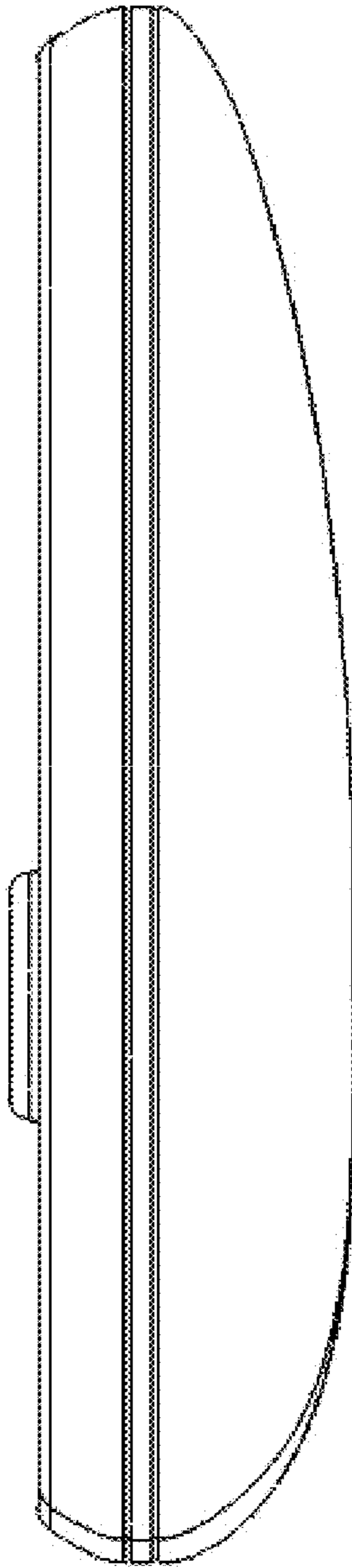


FIG. 6

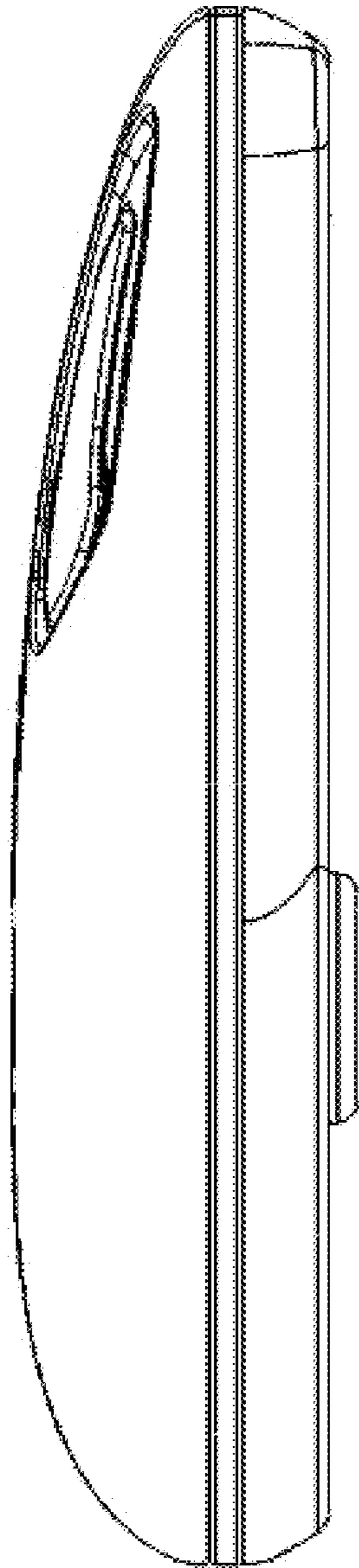


FIG. 7