



US00D746158S

(12) **United States Design Patent**  
**Logue**

(10) **Patent No.:** **US D746,158 S**

(45) **Date of Patent:** **\*\* Dec. 29, 2015**

(54) **MEASURING CAP**

(71) Applicant: **LOGUE AND CO. PTY, AS TRUSTEE FOR A.T. and L.M. LOGUE FAMILY TRUST**, Yowie Bay, NSW (AU)

(72) Inventor: **Anthony Thomas Logue**, Yowie Bay (AU)

(73) Assignee: **LOGUE and CO. PTY**, Yowie Bay (AU), AS TRUSTEE FOR A.T. and L.M. LOGUE FAMILY TRUST

(\*\*) Term: **14 Years**

(21) Appl. No.: **29/485,974**

(22) Filed: **Mar. 25, 2014**

(30) **Foreign Application Priority Data**

Oct. 23, 2013 (AU) ..... 15451/2013  
Oct. 23, 2013 (AU) ..... 15455/2013

(51) **LOC (10) Cl.** ..... **10-04**

(52) **U.S. Cl.**  
USPC ..... **D10/46.2**

(58) **Field of Classification Search**

USPC ..... D10/46.2, 46, 46.3, 52, 60, 66, 103;  
D7/589, 300, 665, 387, 397, 302, 303,  
D7/316, 510, 312, 317; D9/439, 440, 447,  
D9/452-454; D24/197, 224; 220/665;  
222/566, 562, 158, 205; 141/381;  
73/426-429; 422/908, 910, 912, 527,  
422/556, 547; 215/17, 277, 214, 18, 21, 25,  
215/45  
CPC ..... B65D 39/00; B65D 41/16; B65D 41/58;  
B65D 47/06; B65D 47/068  
See application file for complete search history.

(56) **References Cited**

**U.S. PATENT DOCUMENTS**

D301,007 S \* 5/1989 Laski ..... D7/378  
5,377,879 A \* 1/1995 Isaacs ..... A61J 7/0023  
222/192

(Continued)

*Primary Examiner* — Eric Goodman  
*Assistant Examiner* — Clese Moore, Jr.

(74) *Attorney, Agent, or Firm* — Sughrue Mion, PLLC

(57) **CLAIM**

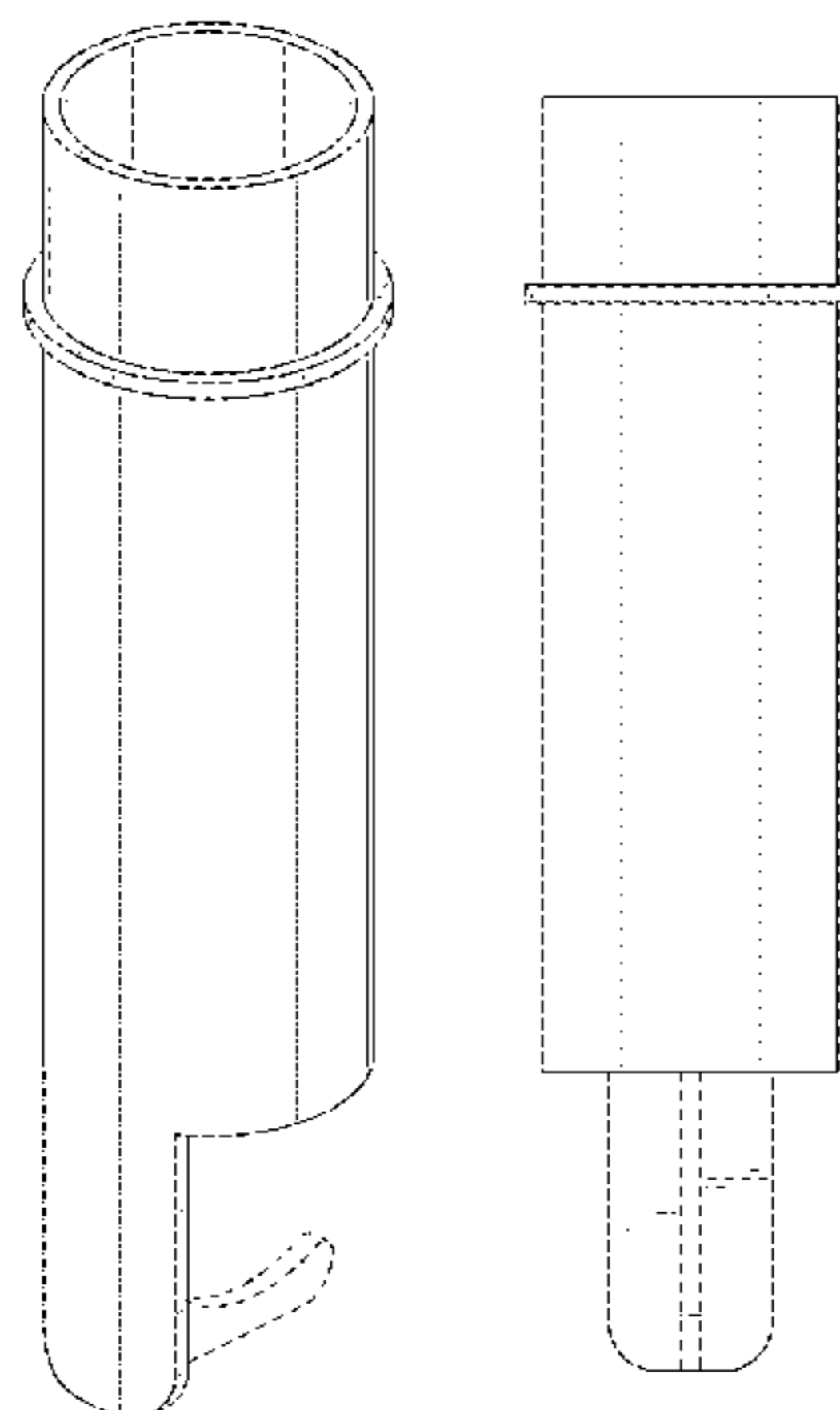
The ornamental design for a measuring cap, as shown and described.

**DESCRIPTION**

FIG. 1 is a front perspective view of a first exemplary embodiment of my design;  
FIG. 2 is a front view thereof;  
FIG. 3 is rear view thereof;  
FIG. 4 is right side view thereof;  
FIG. 5 is left side view thereof;  
FIG. 6 is top view thereof;  
FIG. 7 is bottom view thereof;  
FIG. 8 is a front perspective view of a second exemplary embodiment of my design;  
FIG. 9 is a front view thereof;  
FIG. 10 is rear view thereof;  
FIG. 11 is right side view thereof;  
FIG. 12 is left side view thereof;  
FIG. 13 is top view thereof; and  
FIG. 14 is bottom view thereof.  
FIG. 15 is a front perspective view of a third exemplary embodiment of my design;  
FIG. 16 is a front view thereof;  
FIG. 17 is rear view thereof;  
FIG. 18 is right side view thereof;  
FIG. 19 is left side view thereof;  
FIG. 20 is top view thereof;  
FIG. 21 is bottom view thereof;  
FIG. 22 is a front perspective view of a fourth exemplary embodiment of my design; FIG. 23 is a front view thereof;  
FIG. 24 is rear view thereof;  
FIG. 25 is right side view thereof;  
FIG. 26 is a left side view thereof.  
FIG. 27 is top view thereof; and,  
FIG. 28 is bottom view thereof.

The broken lines shown in the drawings represent portions of the measuring cap which form no part of the claimed design.

**1 Claim, 16 Drawing Sheets**



(56)

**References Cited**

U.S. PATENT DOCUMENTS

D360,580 S \* 7/1995 Bomareto ..... D9/447  
D366,840 S \* 2/1996 Schagerstrom ..... D10/46.2  
D368,856 S \* 4/1996 Peay ..... D9/447  
D418,417 S \* 1/2000 Hollinger ..... D9/440  
D421,908 S \* 3/2000 Abrams ..... D9/440  
D534,818 S \* 1/2007 Schoen ..... D10/46  
D579,259 S \* 10/2008 Venier ..... D7/316  
D647,210 S \* 10/2011 Wilkinson ..... D24/224  
D654,384 S \* 2/2012 McDonald ..... D10/66

D661,939 S \* 6/2012 Kern ..... D7/316  
D670,578 S \* 11/2012 Perry ..... D10/46.2  
D678,791 S \* 3/2013 Ford ..... D10/103  
D683,184 S \* 5/2013 Lin ..... D7/316  
D690,596 S \* 10/2013 Logue ..... D9/447  
D695,416 S \* 12/2013 Saliaris ..... D24/224  
D707,502 S \* 6/2014 Alavian ..... D7/665  
D720,241 S \* 12/2014 Logue ..... D10/46.2  
D720,631 S \* 1/2015 Logue ..... D10/46.2  
D728,297 S \* 5/2015 Melzer ..... D7/300.1  
D729,592 S \* 5/2015 Alavian ..... D7/665  
D735,514 S \* 8/2015 Cheung ..... D7/300

\* cited by examiner

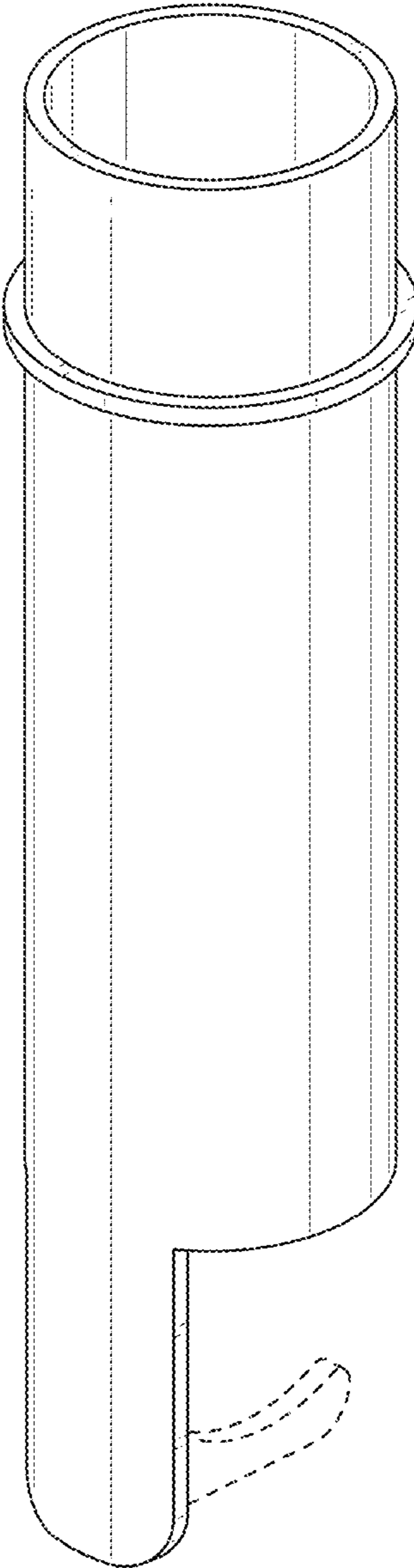


FIG. 1

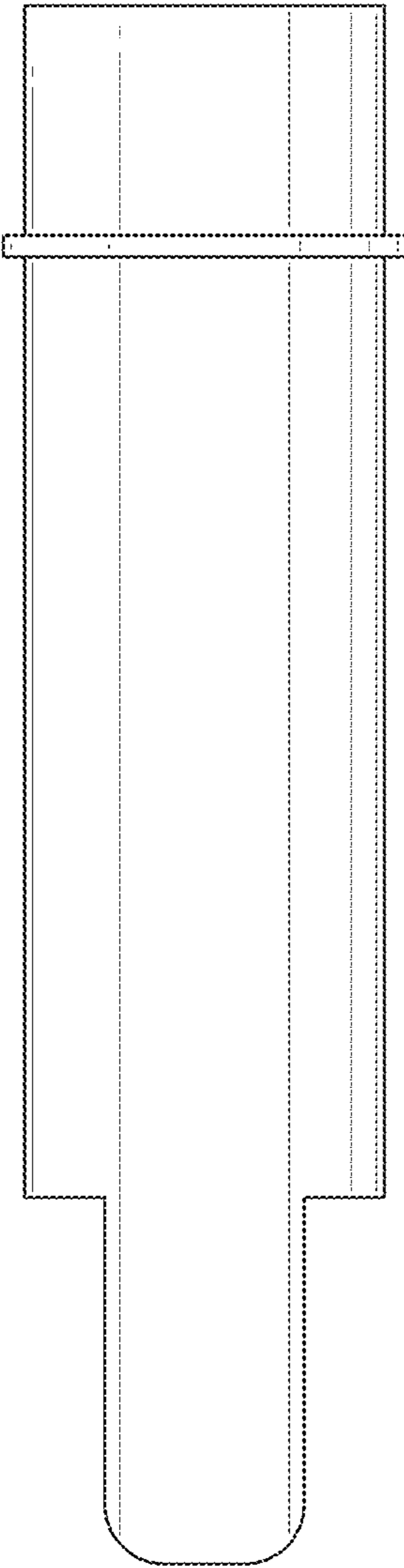


FIG. 2

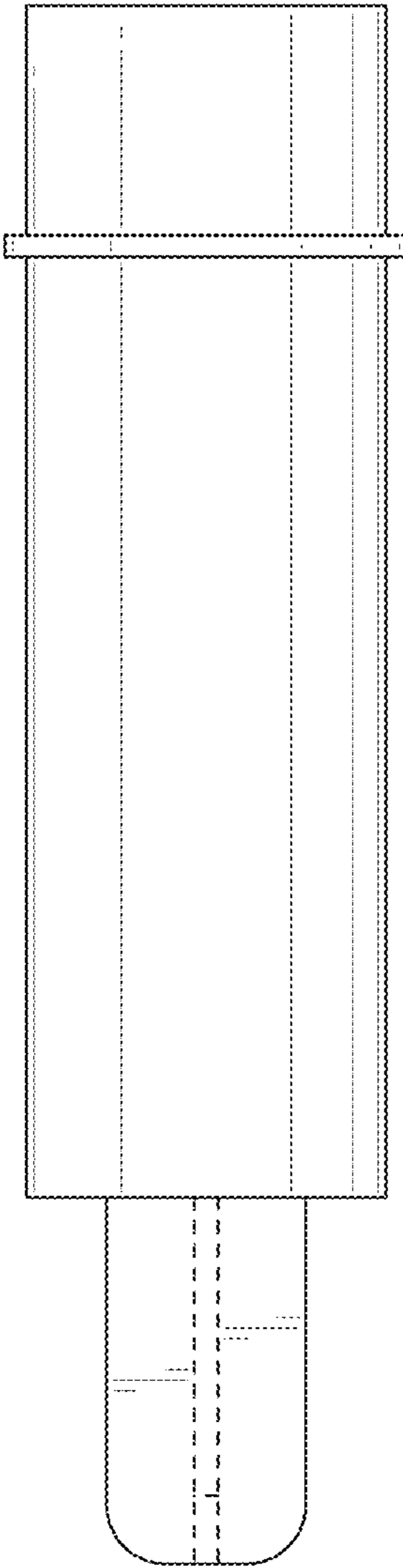


FIG. 3

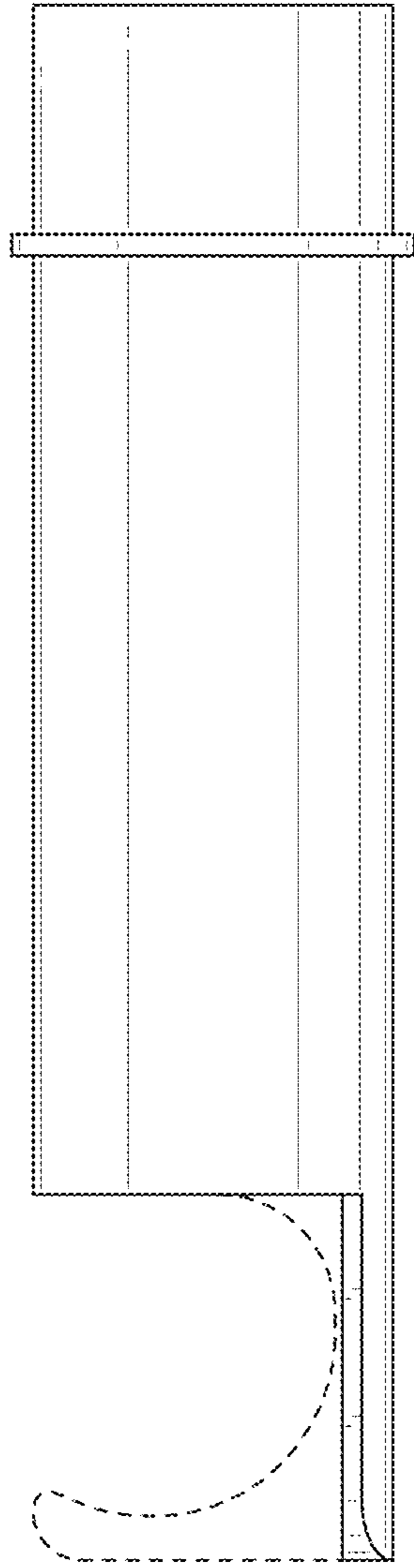


FIG. 4

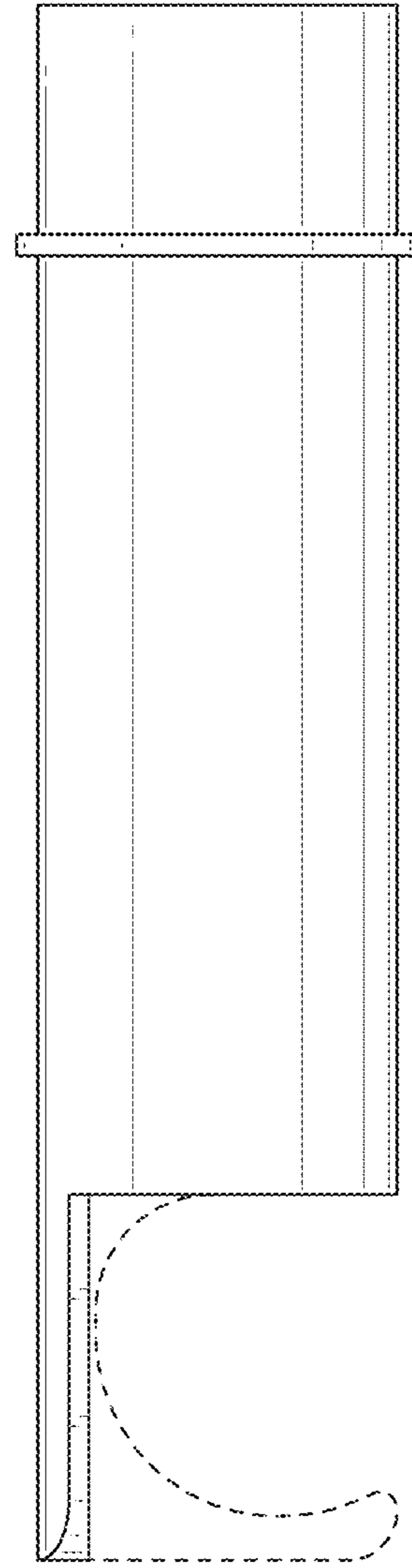


FIG. 5

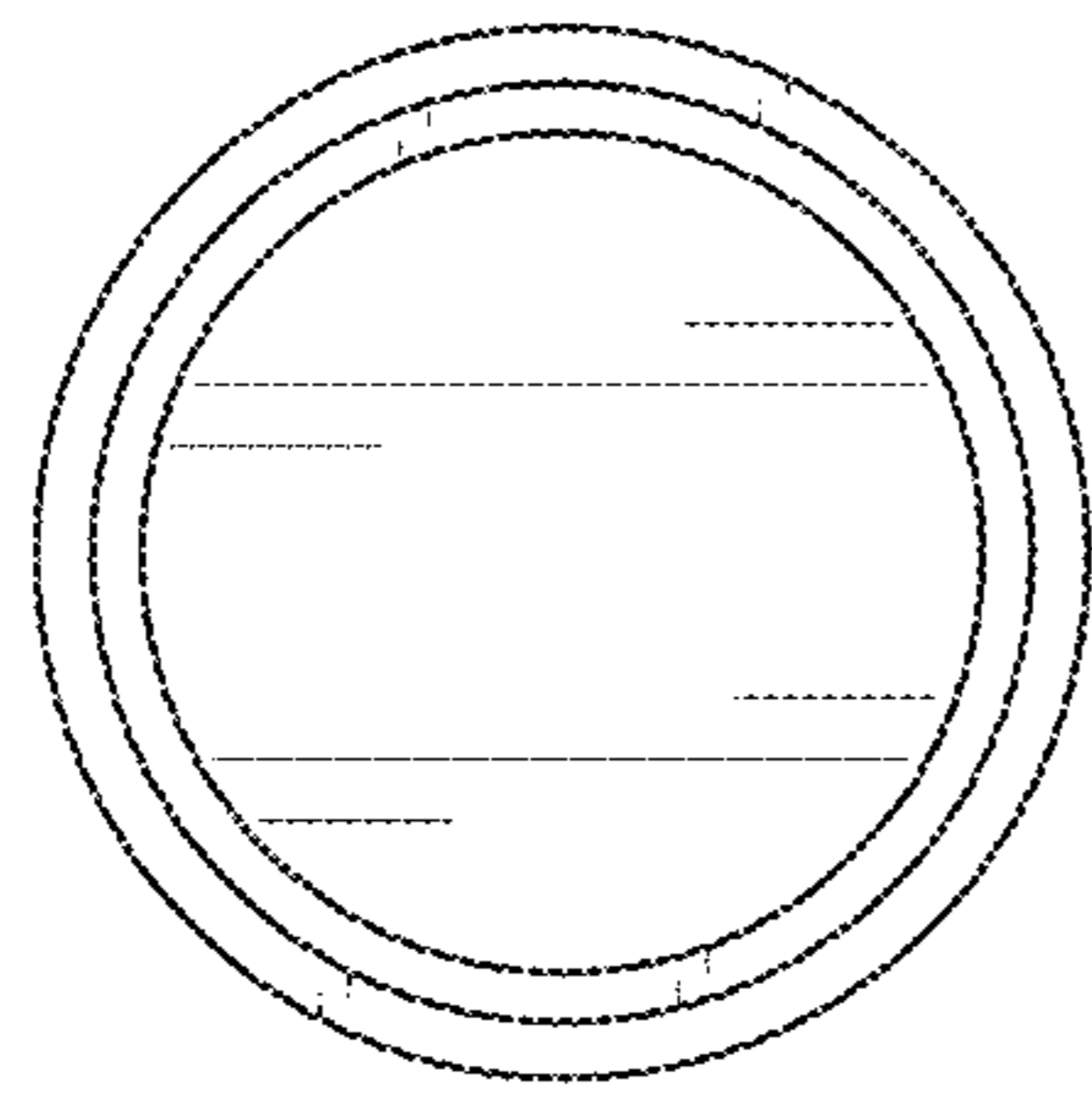


FIG. 6

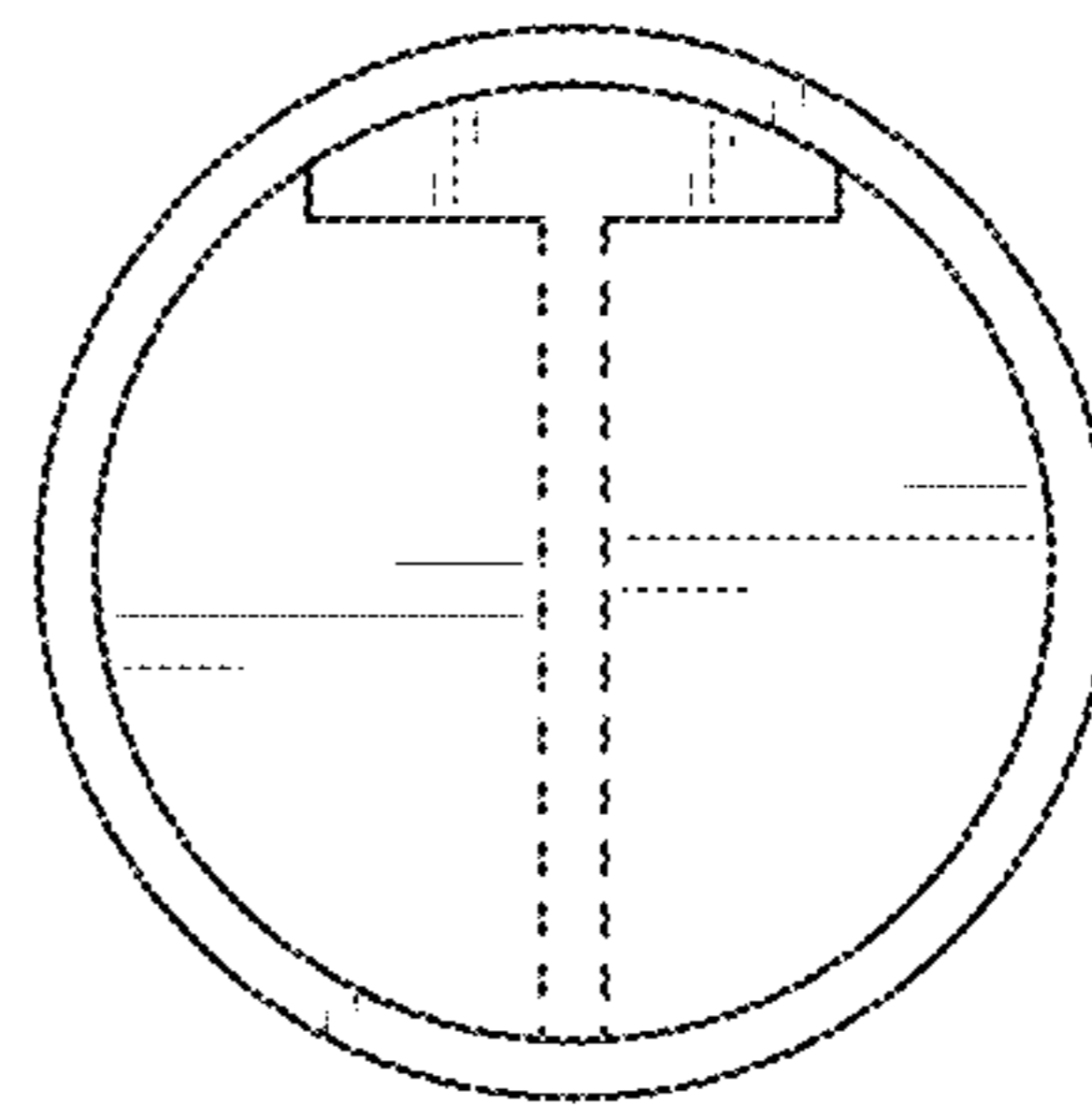


FIG. 7

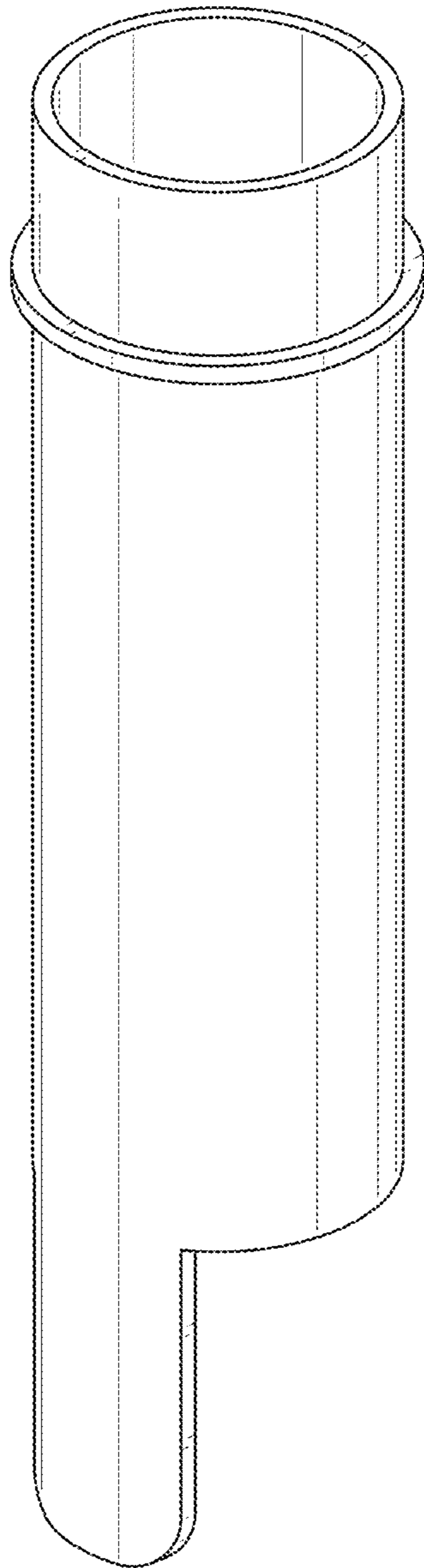


FIG. 8

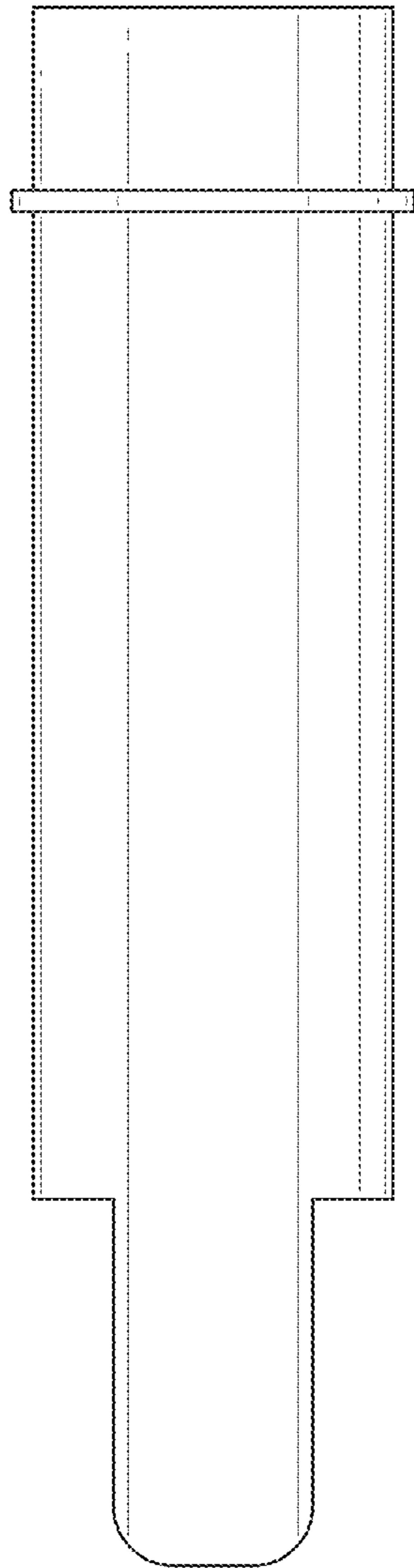


FIG. 9

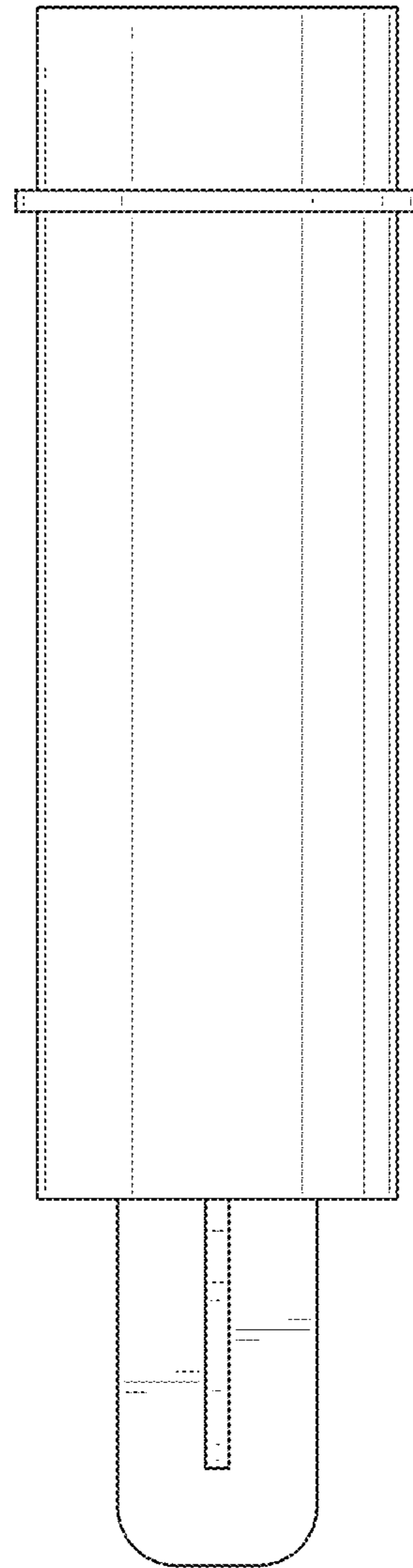


FIG. 10



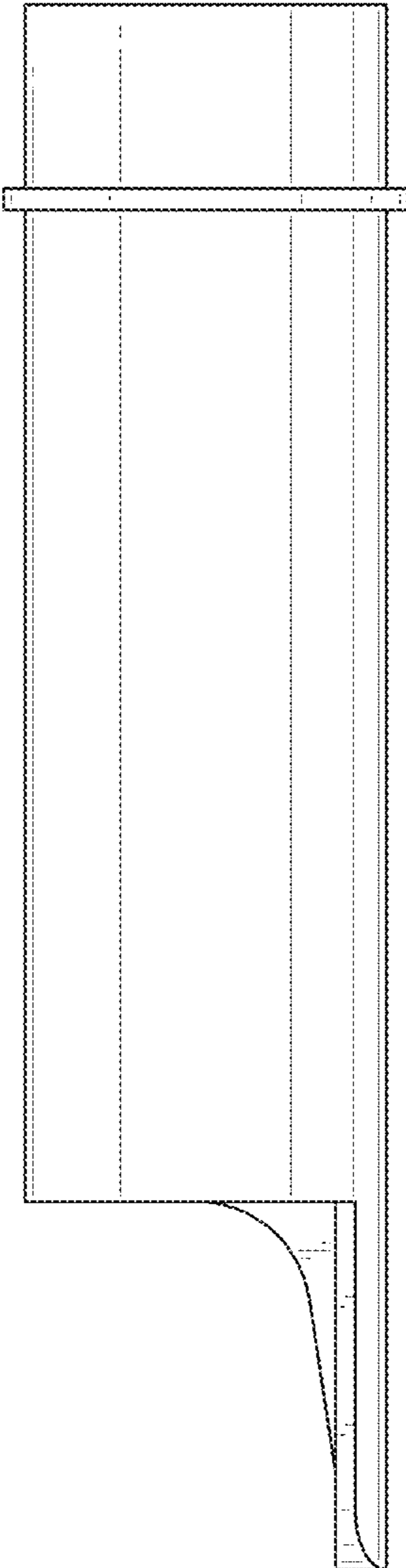


FIG. 11

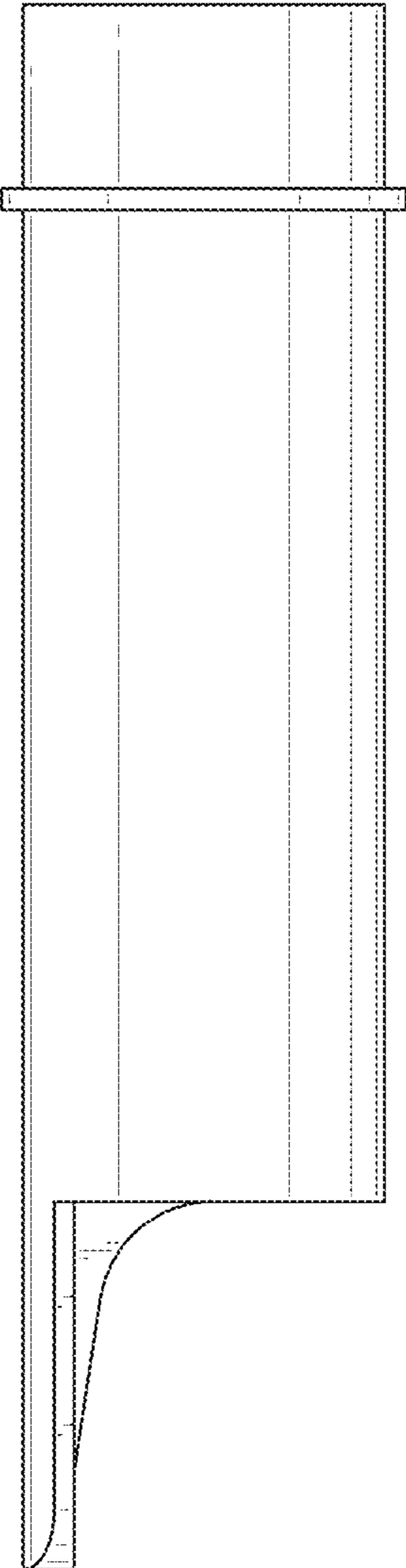


FIG. 12

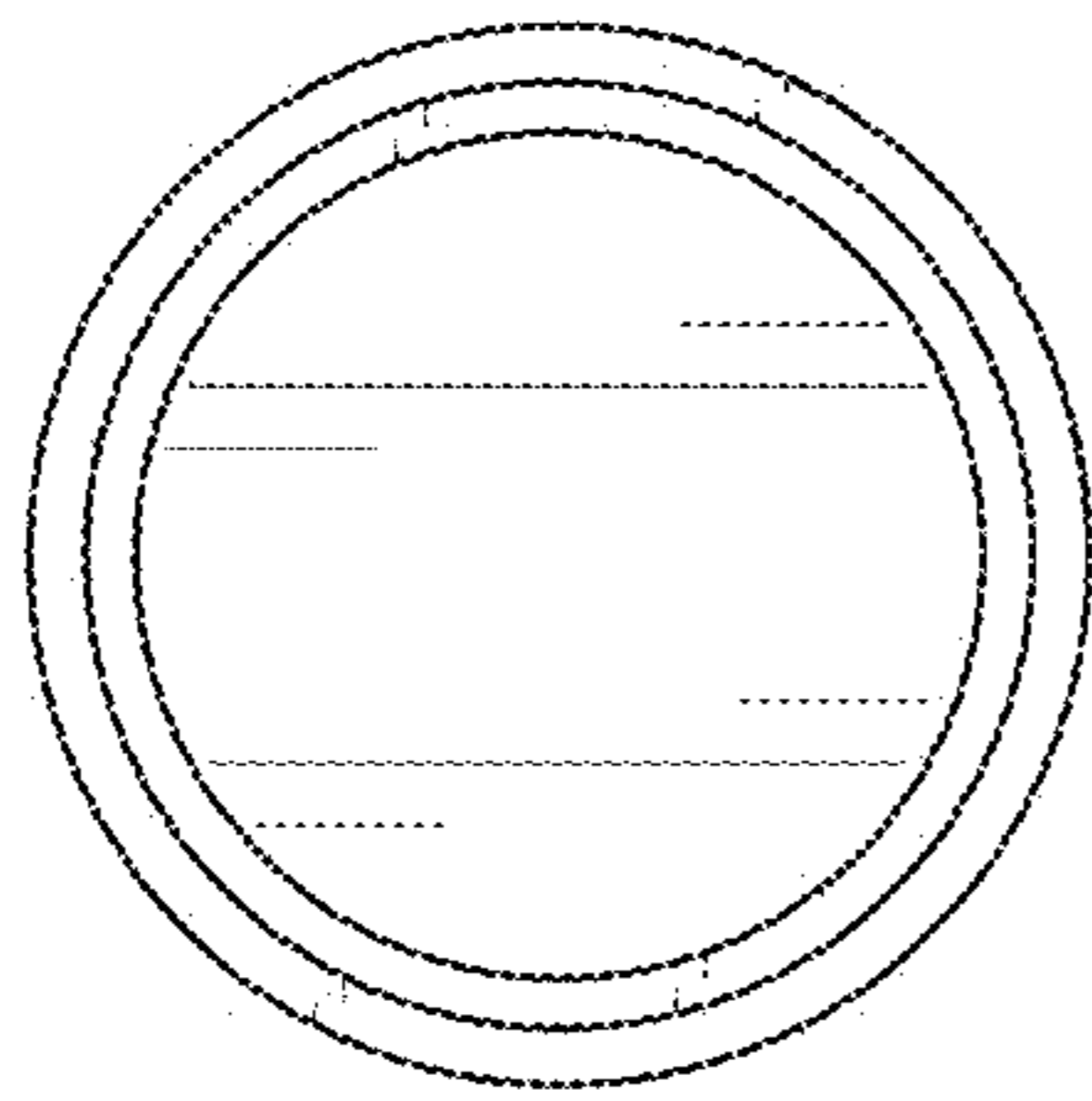


FIG. 13

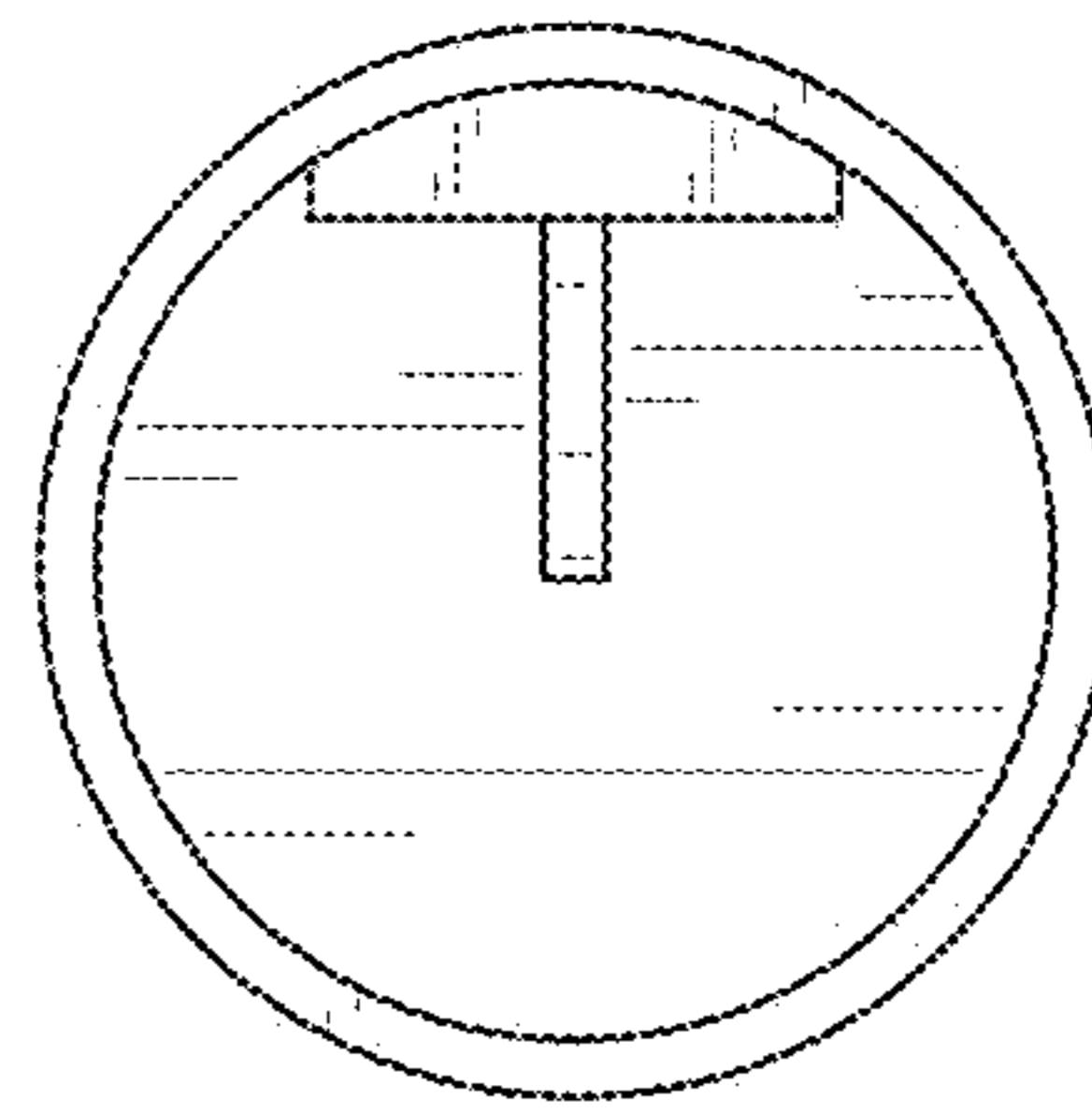


FIG. 14

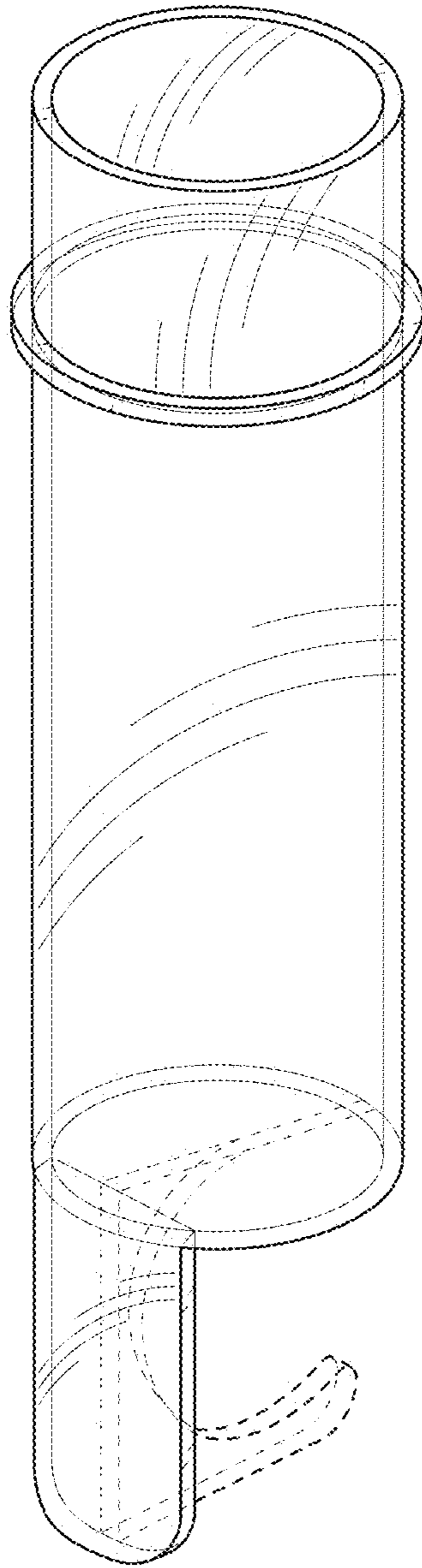


FIG. 15

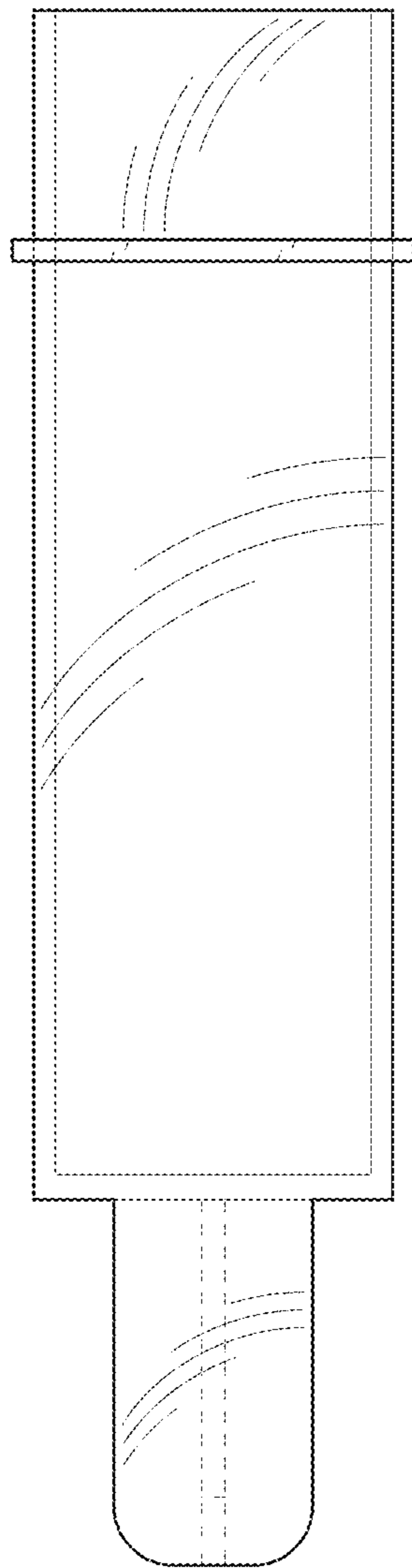


FIG. 16

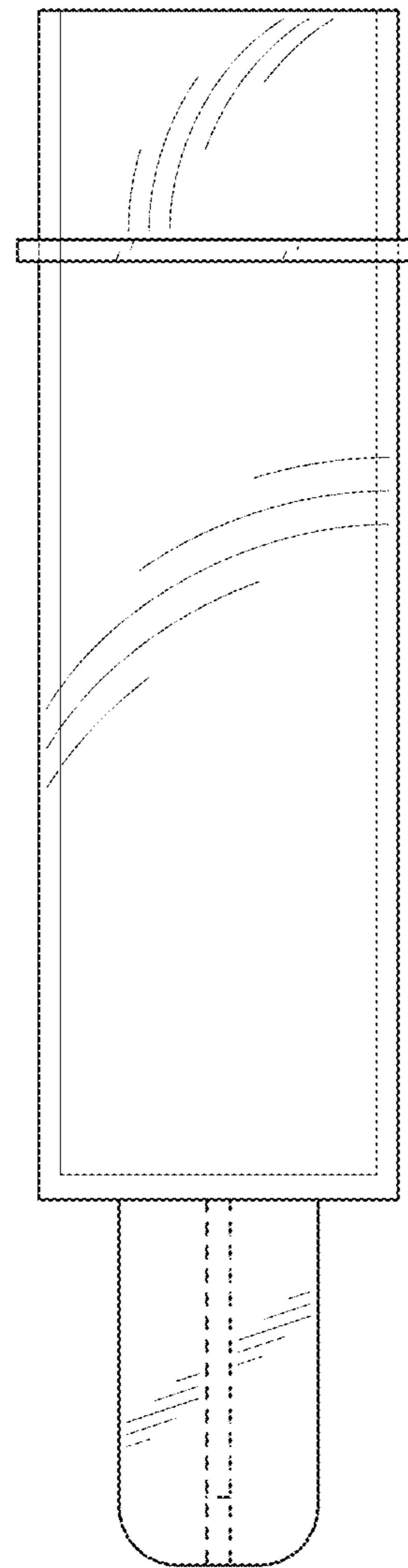


FIG. 17

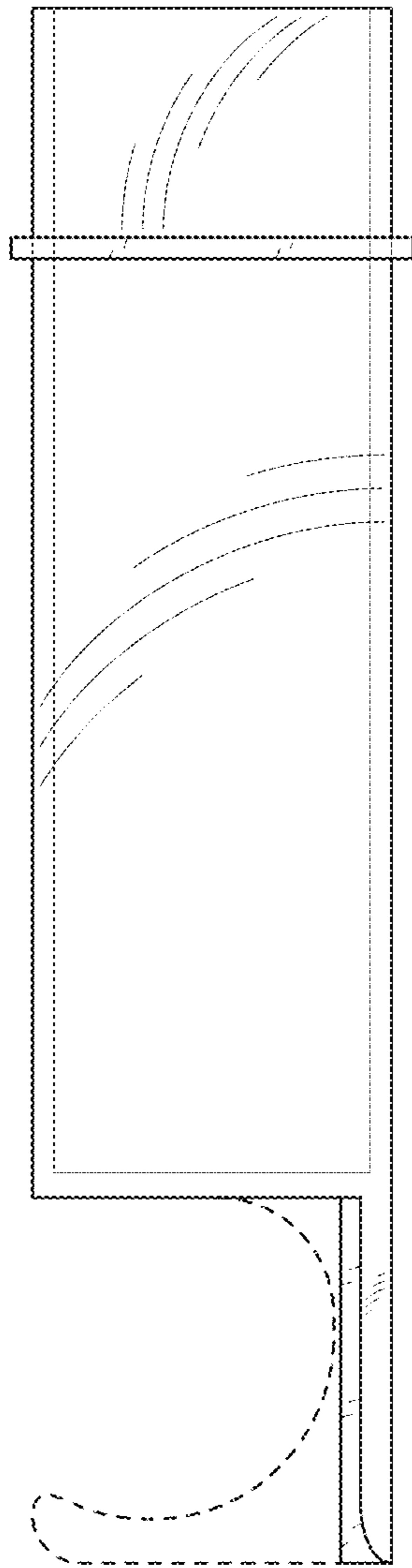


FIG. 18

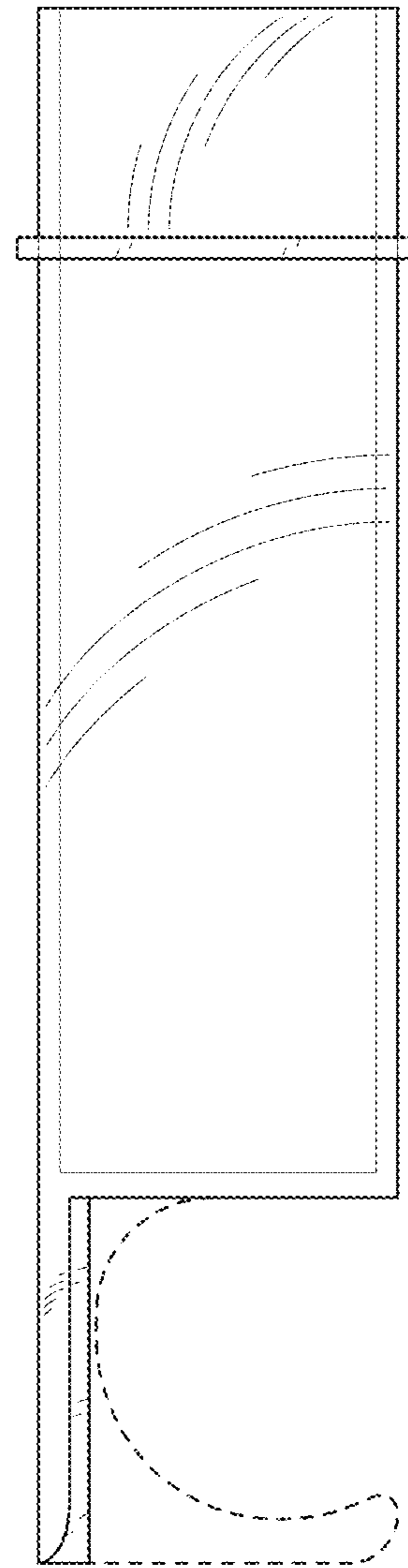


FIG. 19

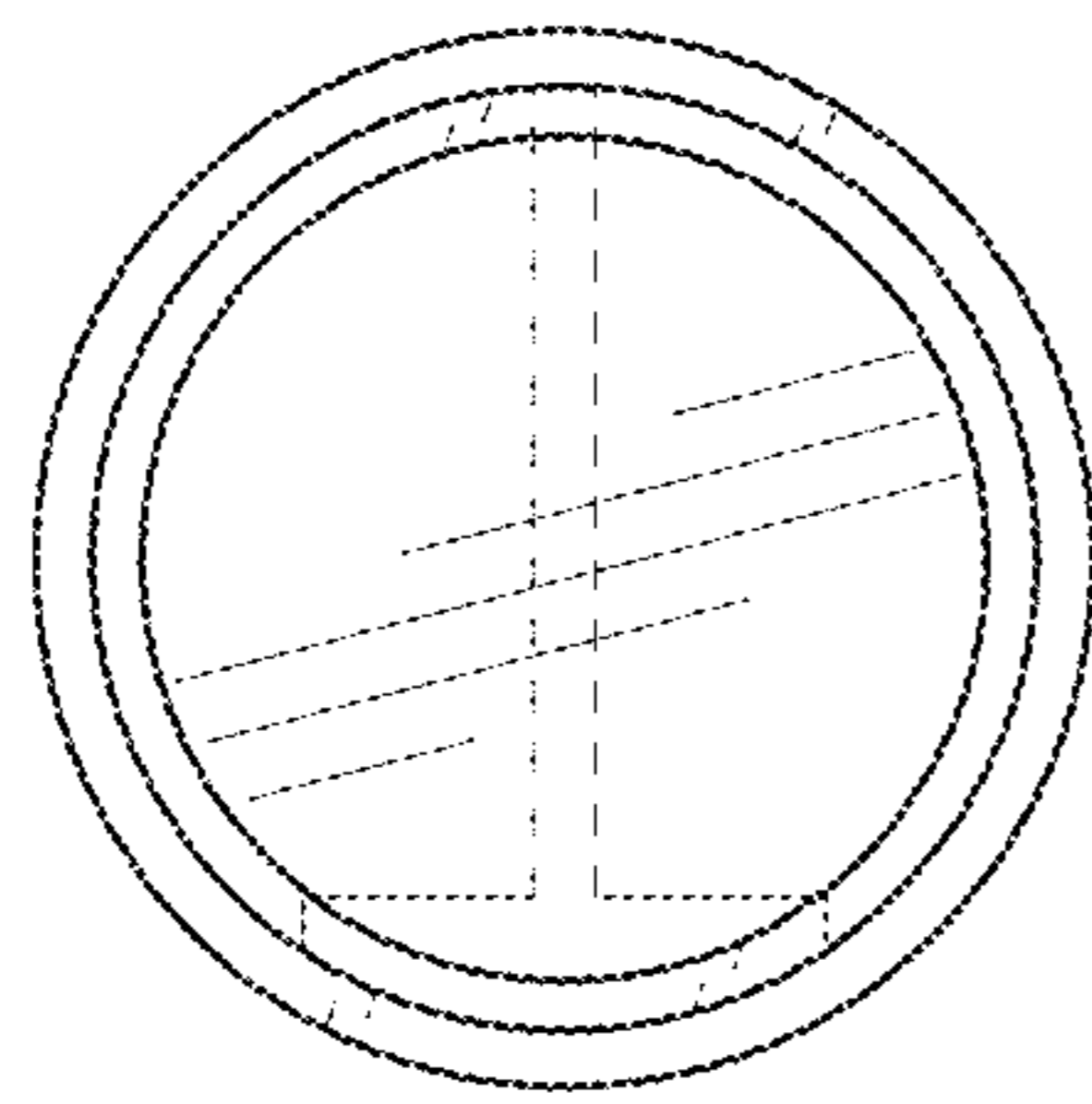


FIG. 20

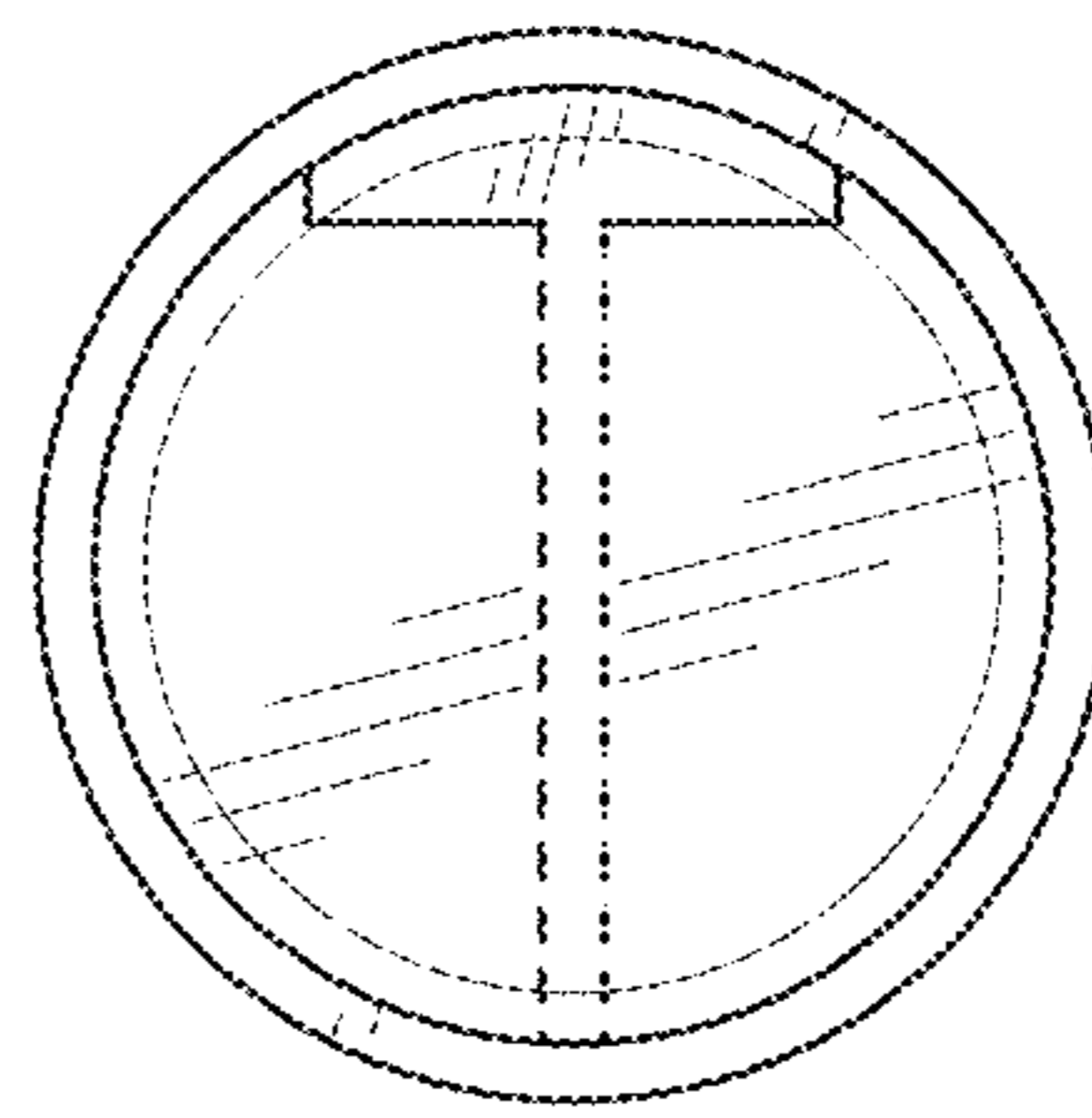


FIG. 21

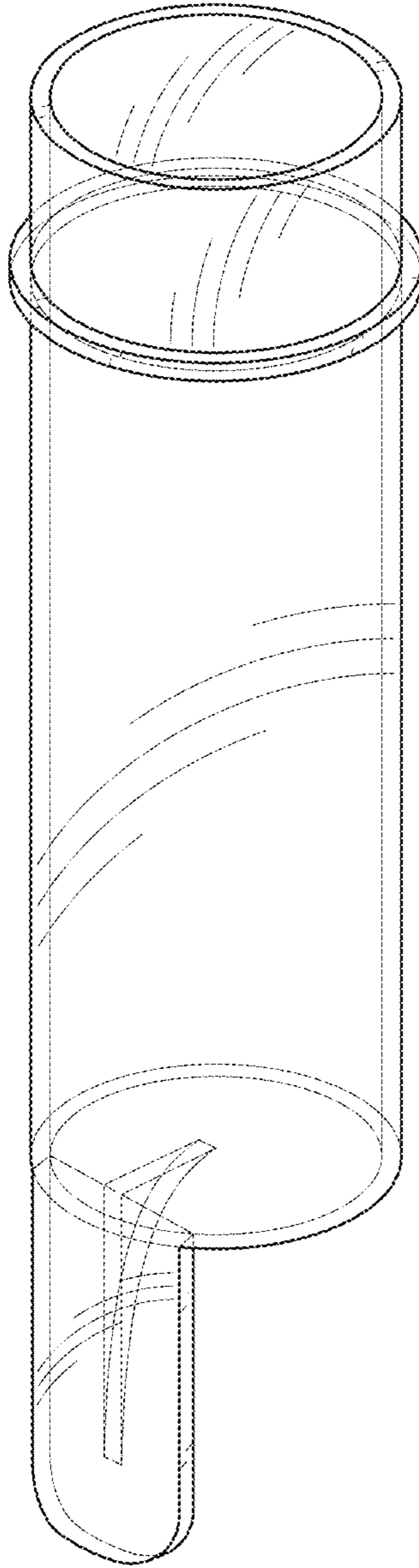


FIG. 22

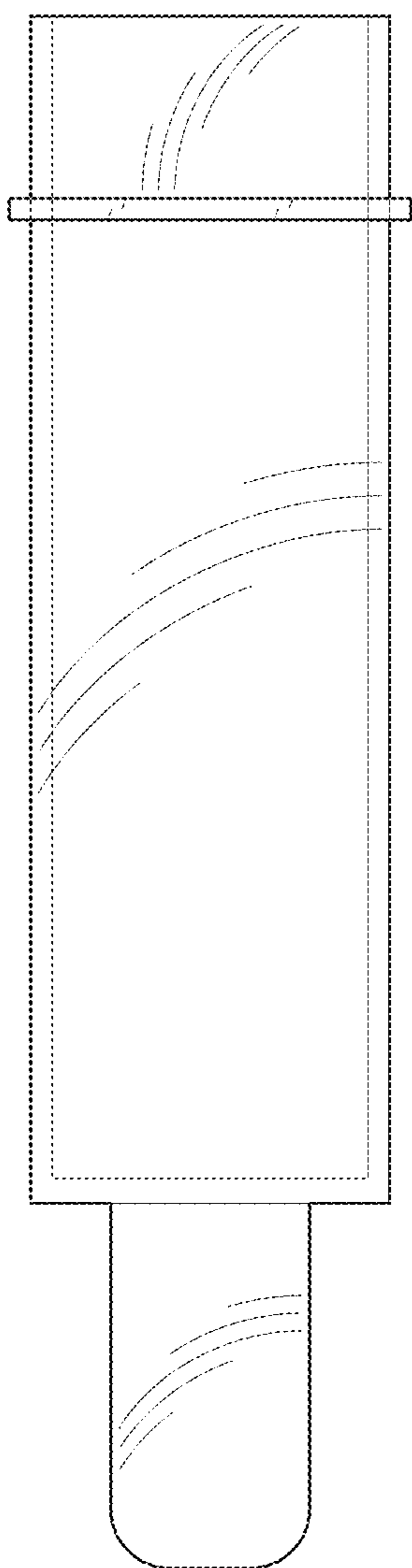


FIG. 23

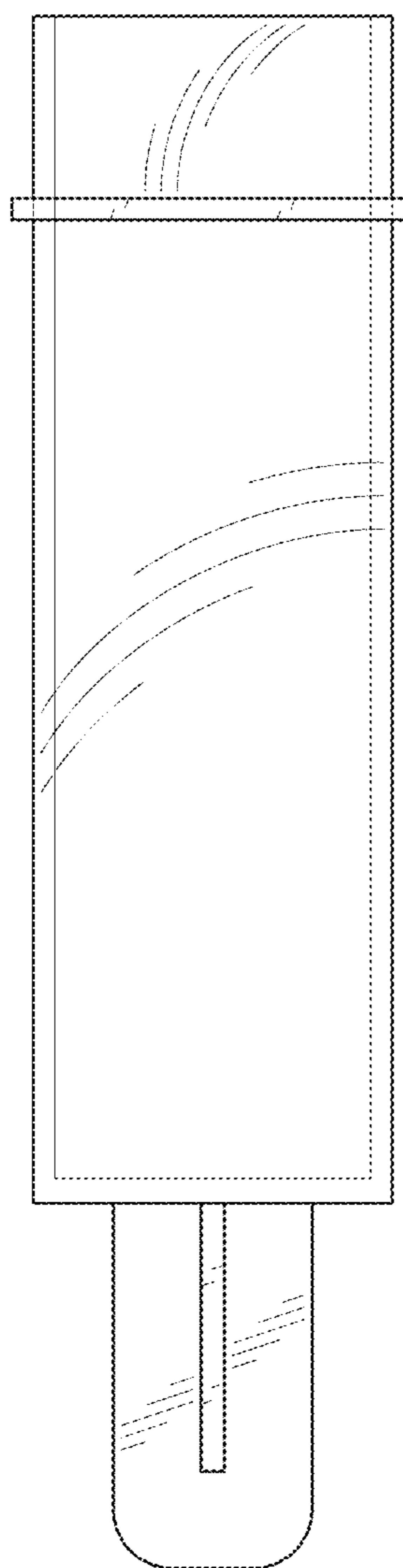


FIG. 24



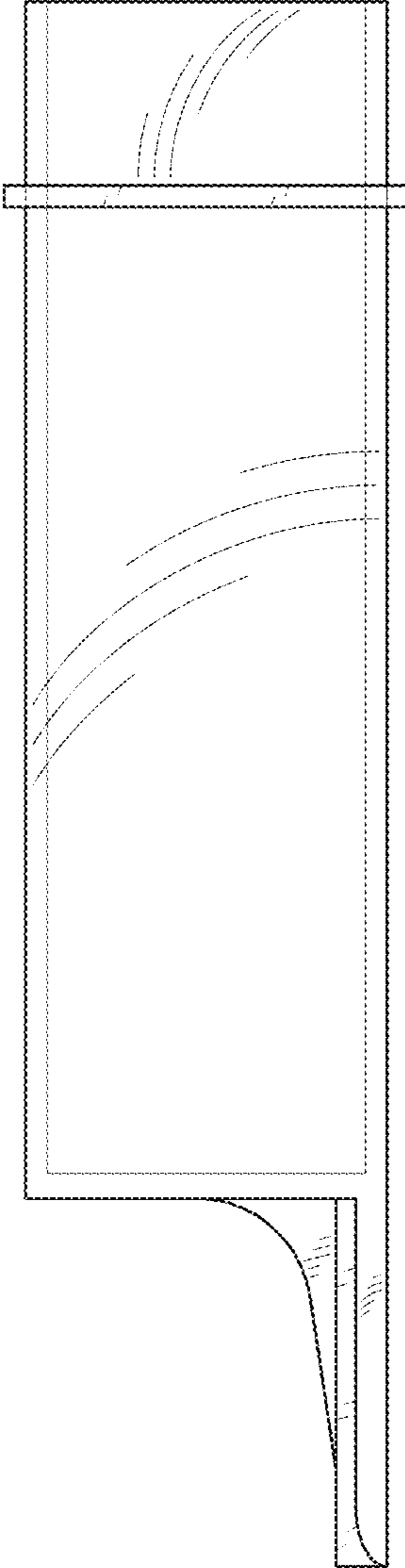


FIG. 25

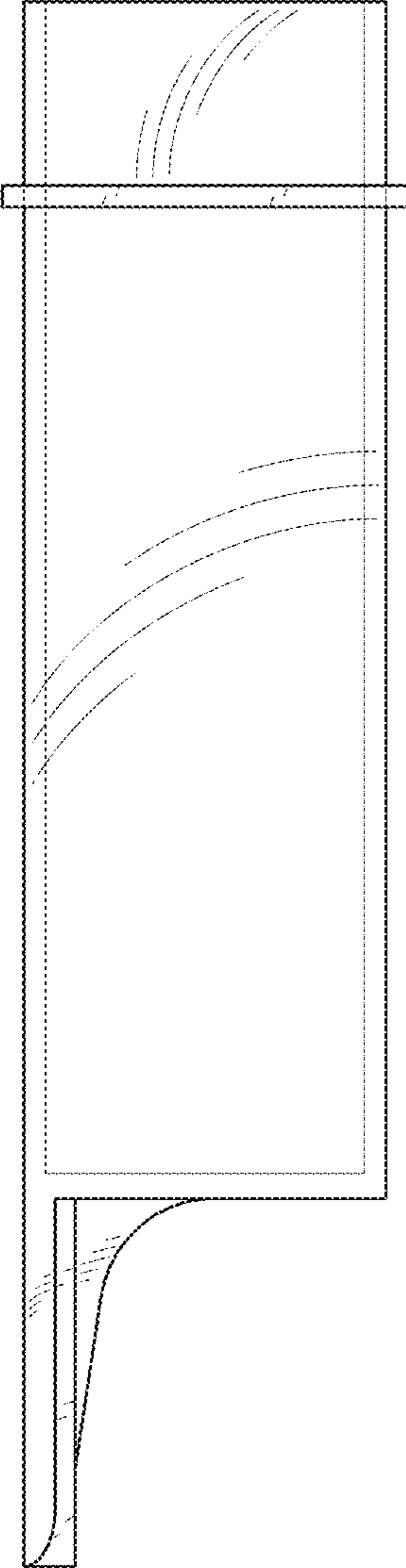


FIG. 26

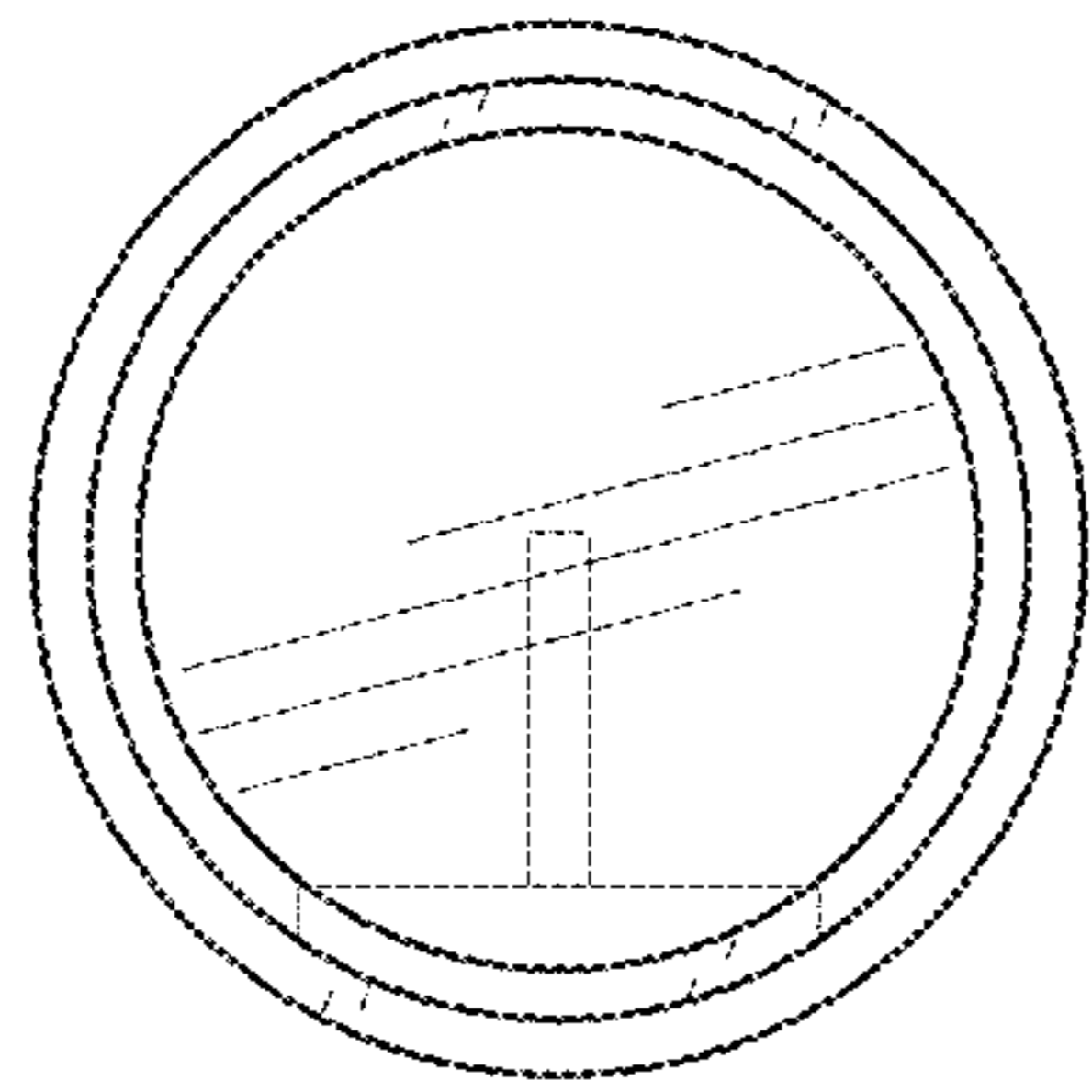


FIG. 27

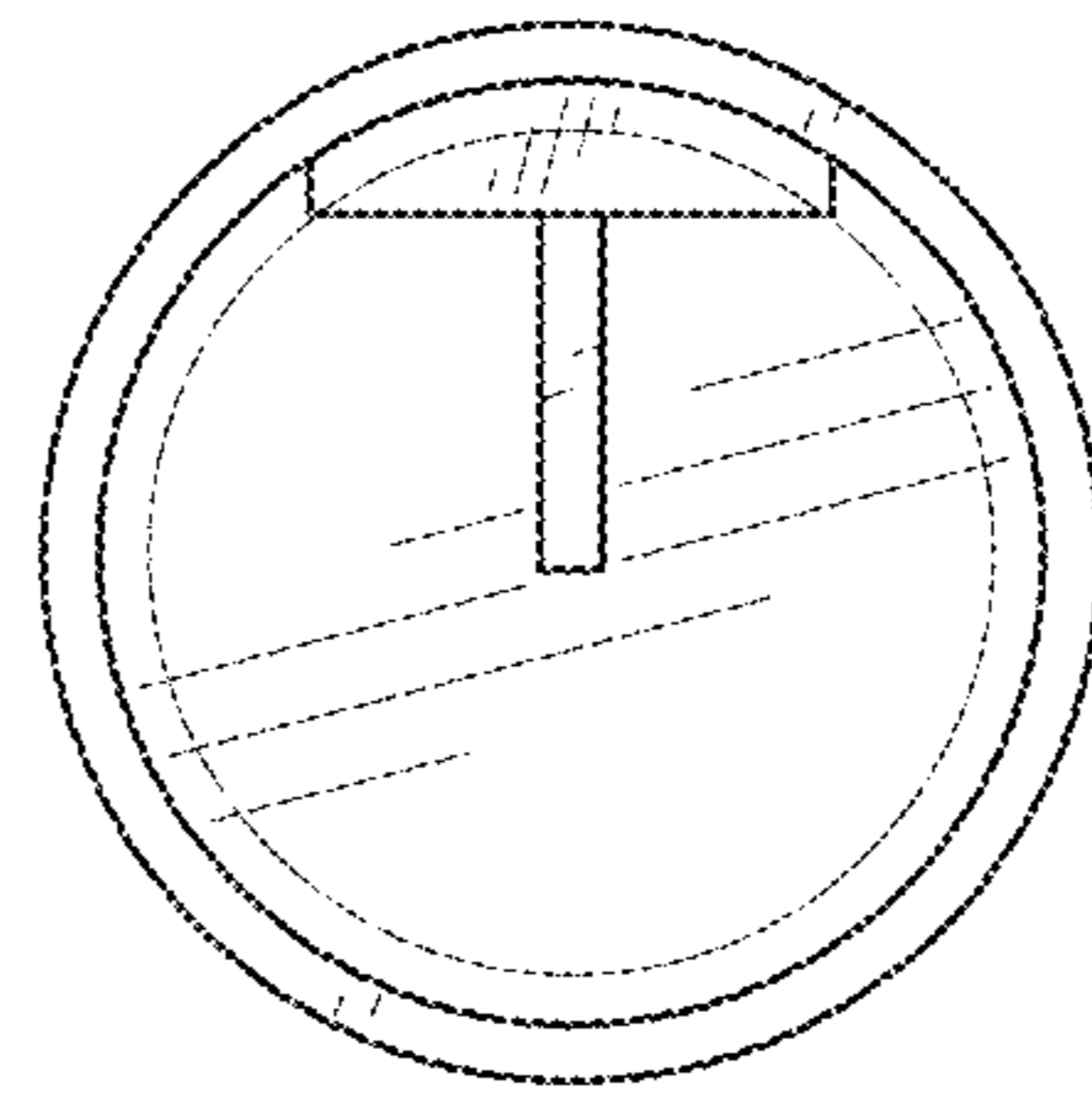


FIG. 28