



US00D746157S

(12) **United States Design Patent**  
**Babcock**

(10) **Patent No.:** **US D746,157 S**

(45) **Date of Patent:** **\*\* Dec. 29, 2015**

(54) **WATCH**

FOREIGN PATENT DOCUMENTS

(71) Applicant: **Nixon Inc.**, Encinitas, CA (US)

JP D1507170 9/2014

(72) Inventor: **Joseph Babcock**, Encinitas, CA (US)

JP D1507175 9/2014

(\*\*) Term: **14 Years**

JP D1520070 3/2015

(21) Appl. No.: **29/498,272**

JP D1521561 4/2015

(22) Filed: **Aug. 1, 2014**

JP D1521995 4/2015

(51) **LOC (10) CI.** ..... **10-02**

JP D1522013 4/2015

(52) **U.S. CI.**

JP D1523095 5/2015

USPC ..... **D10/30**; D10/38

JP D1529744 7/2015

(58) **Field of Classification Search**

USPC ..... D10/30-39, 1-29, 122-132

CPC .... G04B 19/00; G04B 37/00; G04B 37/0008;

G04B 37/0058; G04B 45/00; G04B 45/0069;

G04B 45/0076

See application file for complete search history.

\* cited by examiner

*Primary Examiner* — Martie K Holtje

(74) *Attorney, Agent, or Firm* — Cooley

(57) **CLAIM**

The ornamental design for a watch, as shown and described.

**DESCRIPTION**

FIG. 1 is a right front perspective view of a watch showing my new design;

FIG. 2 is a right rear perspective view thereof;

FIG. 3 is a top plan view thereof;

FIG. 4 is a bottom plan view thereof;

FIG. 5 is a left side elevational view thereof;

FIG. 6 is a right side elevational view thereof;

FIG. 7 is a rear elevational view thereof;

FIG. 8 is a front elevational view thereof;

FIG. 9 is a right front perspective view thereof showing an alternate environment; and,

FIG. 10 is a top plan view of FIG. 9.

The structural details depicted by broken lines have been shown for the purpose of illustrating portions of the watch that form no part of the claimed design.

The strap portions depicted by broken lines in the figures have been shown for purpose of illustrating environment that forms no part of the claimed design.

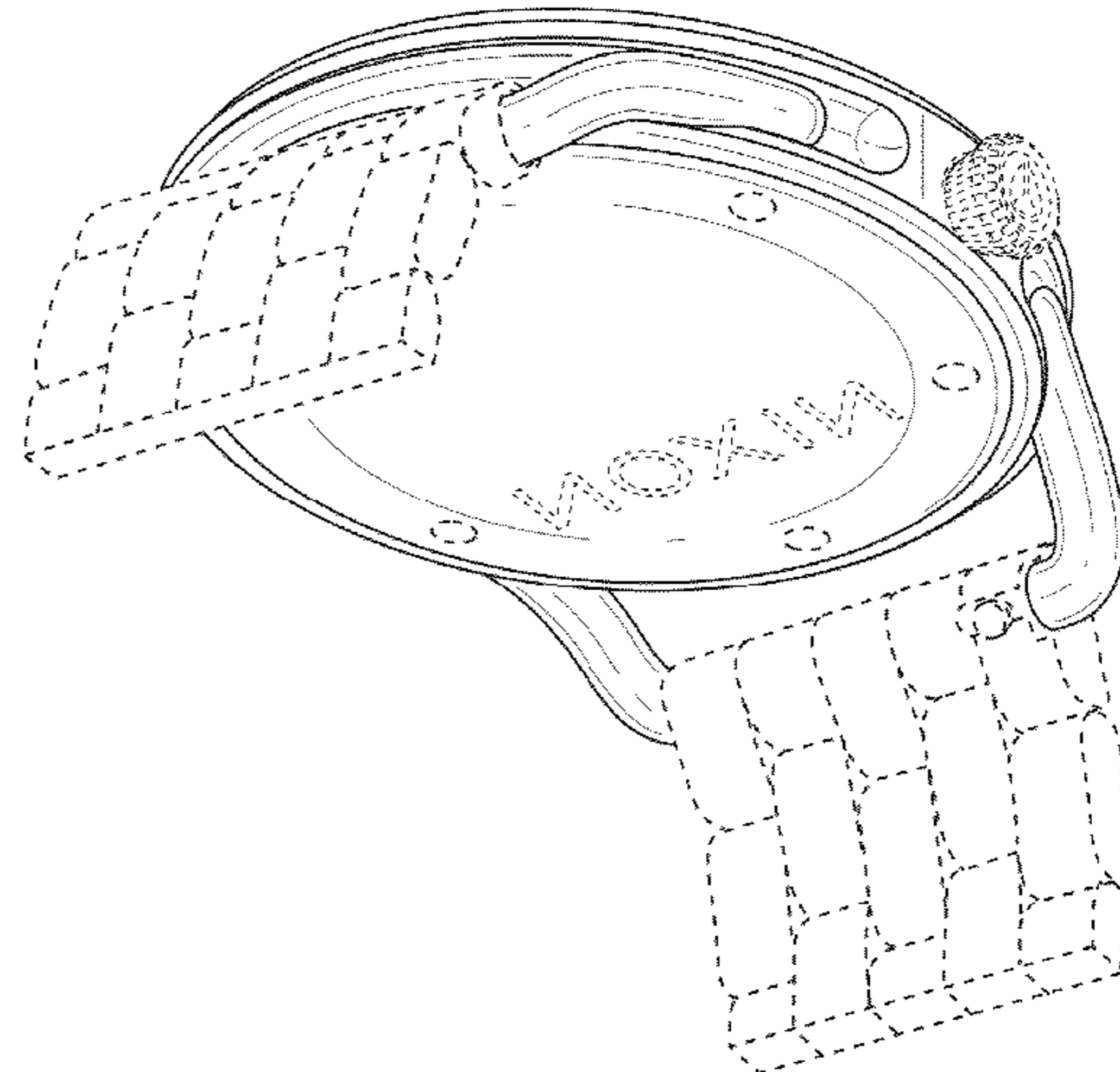
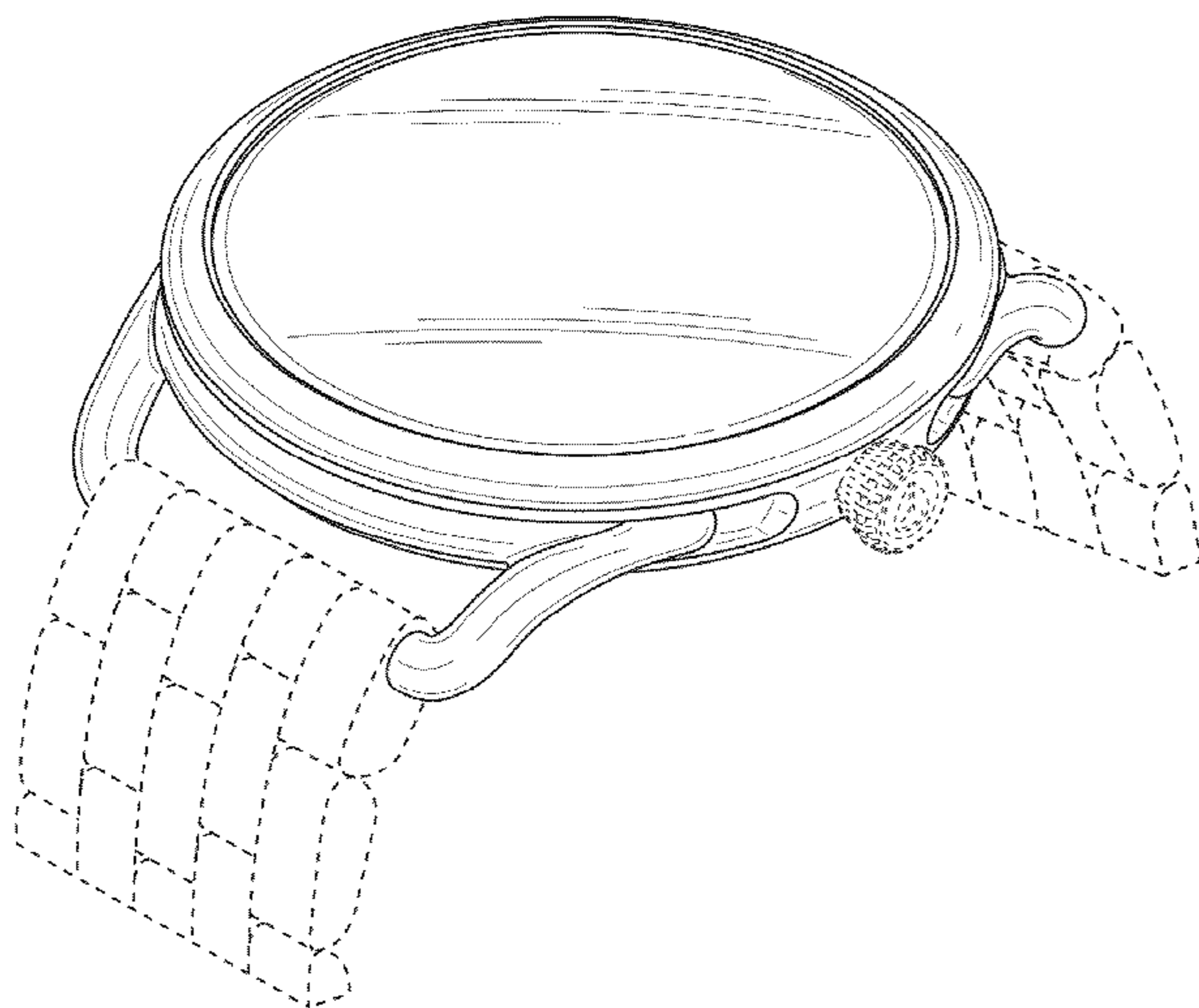
**1 Claim, 9 Drawing Sheets**

(56)

**References Cited**

U.S. PATENT DOCUMENTS

D59,740 S	*	11/1921	Gruen	.....	D10/39
D69,291 S	*	1/1926	Tannenbaum	.....	D10/36
D301,693 S	*	6/1989	Canta	.....	D10/39
D360,142 S	*	7/1995	Polenberg	.....	D10/39
D409,504 S	*	5/1999	Collier	.....	D10/34
D417,158 S	*	11/1999	Krauss	.....	D10/30
D455,662 S	*	4/2002	Johnston et al.	.....	D10/32
D503,896 S	*	4/2005	Vidal	.....	D10/39
D543,122 S	*	5/2007	Lafever et al.	.....	D10/32
D552,491 S	*	10/2007	Vidal	.....	D10/38
D588,473 S	*	3/2009	Nashan et al.	.....	D10/38
D588,474 S	*	3/2009	Yeager	.....	D10/38



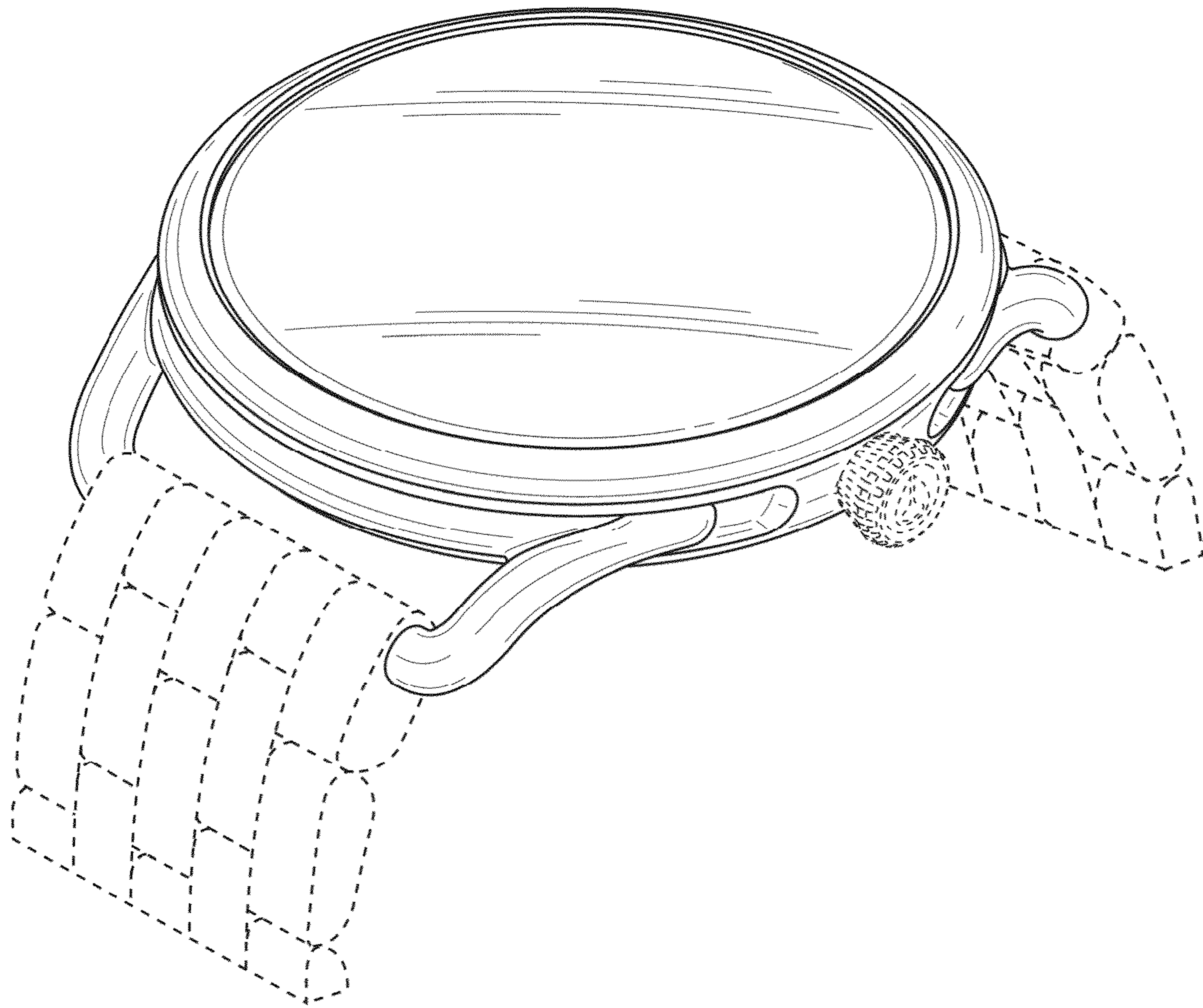


FIG.1

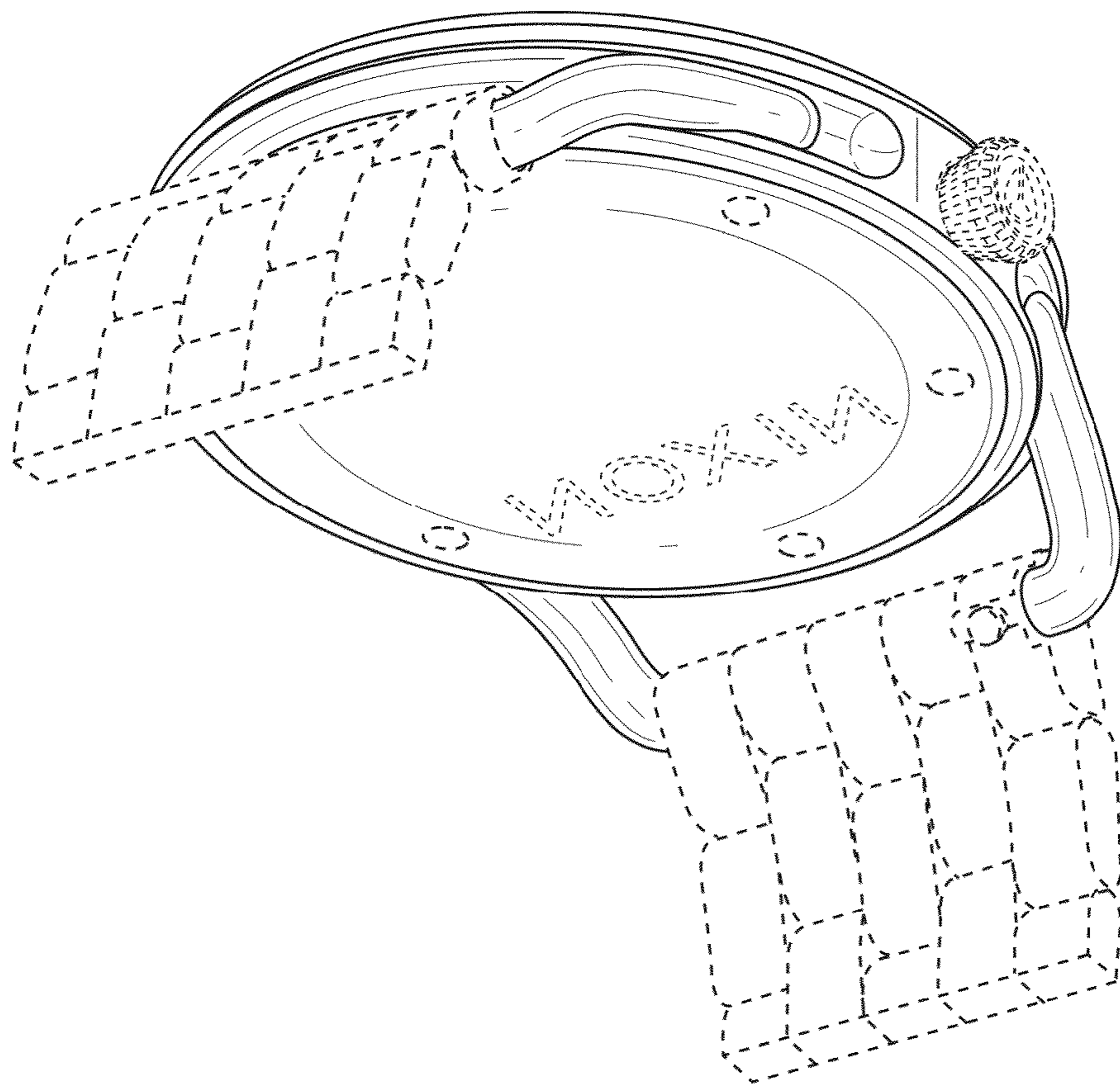


FIG.2

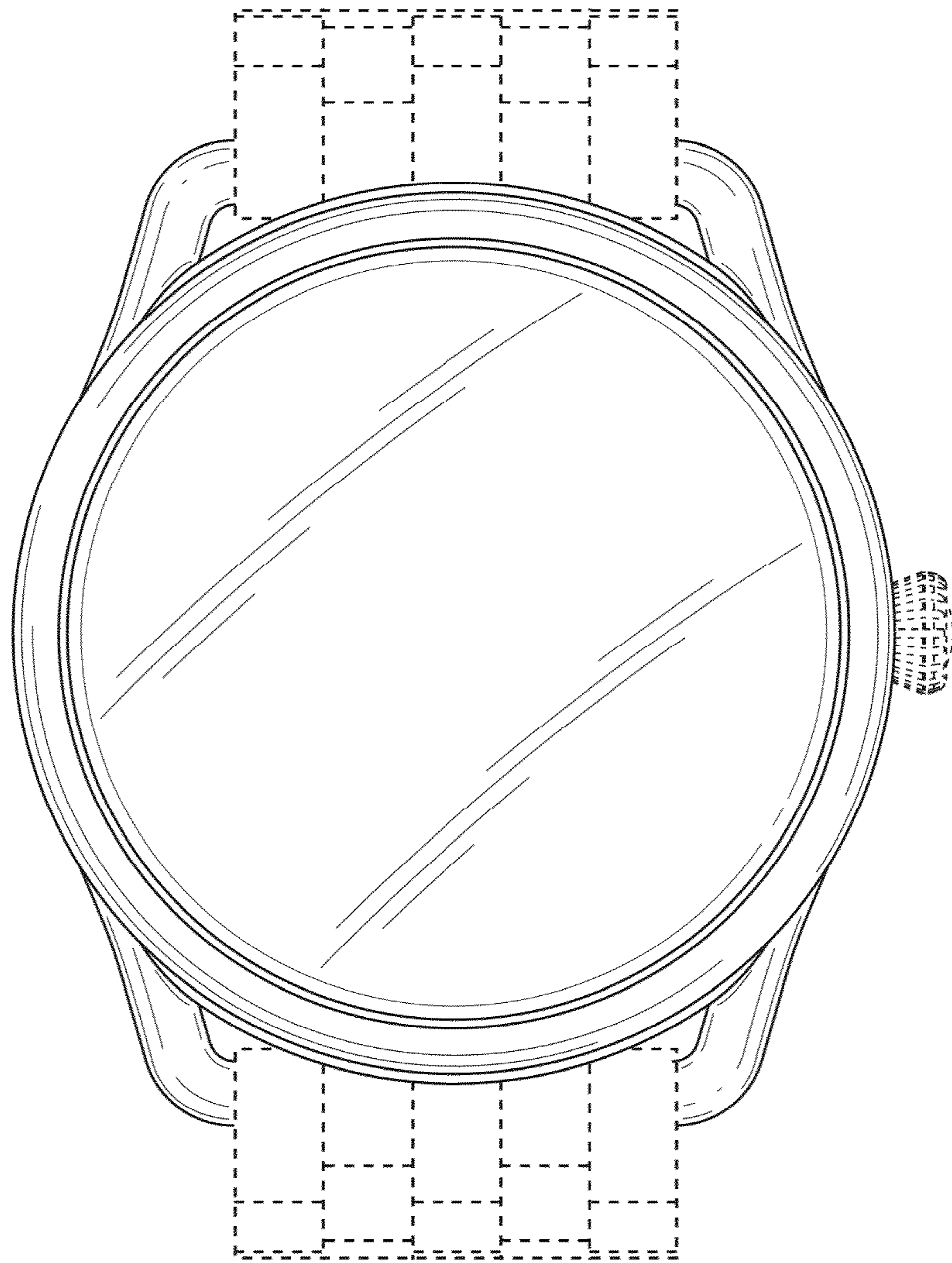


FIG.3



FIG.4

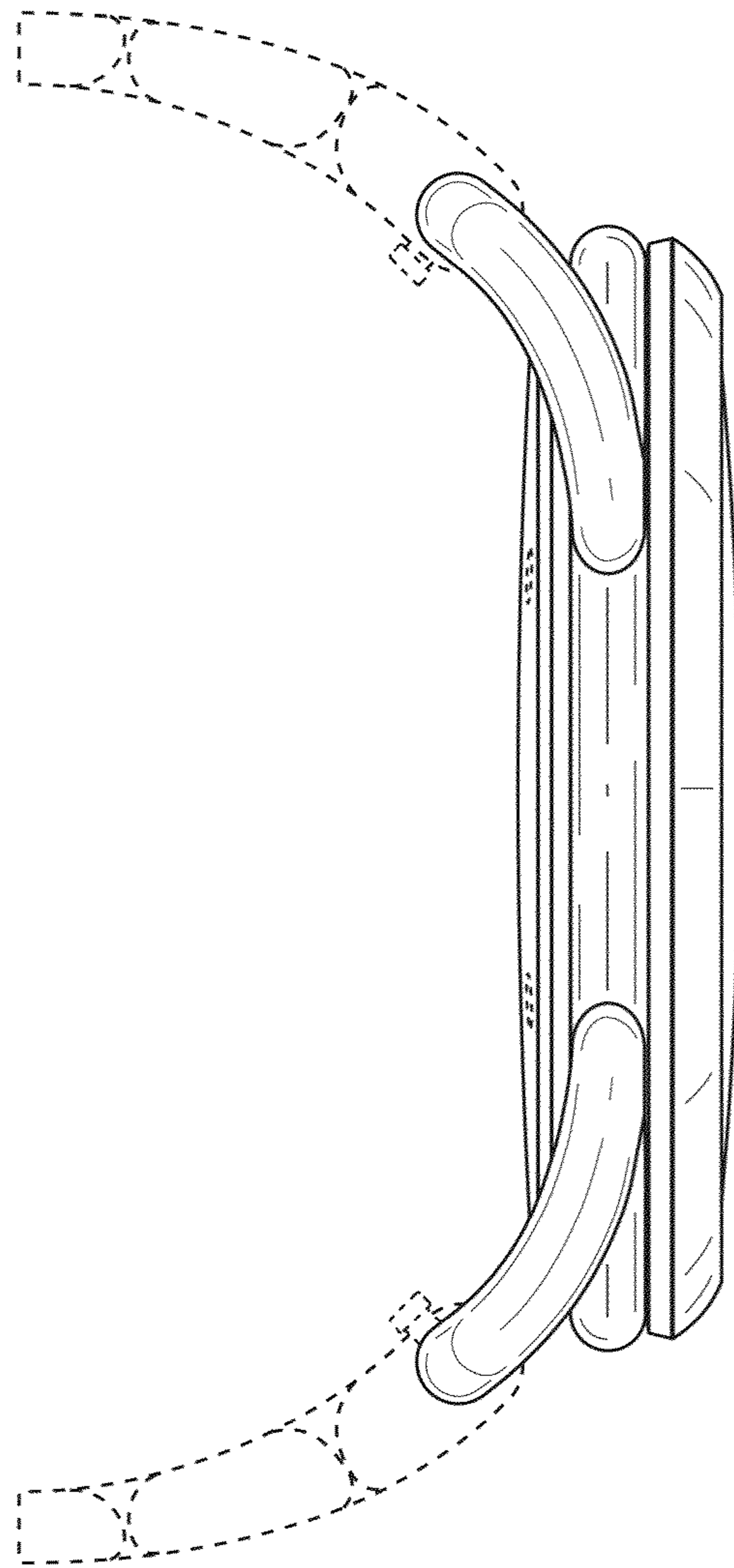


FIG.5

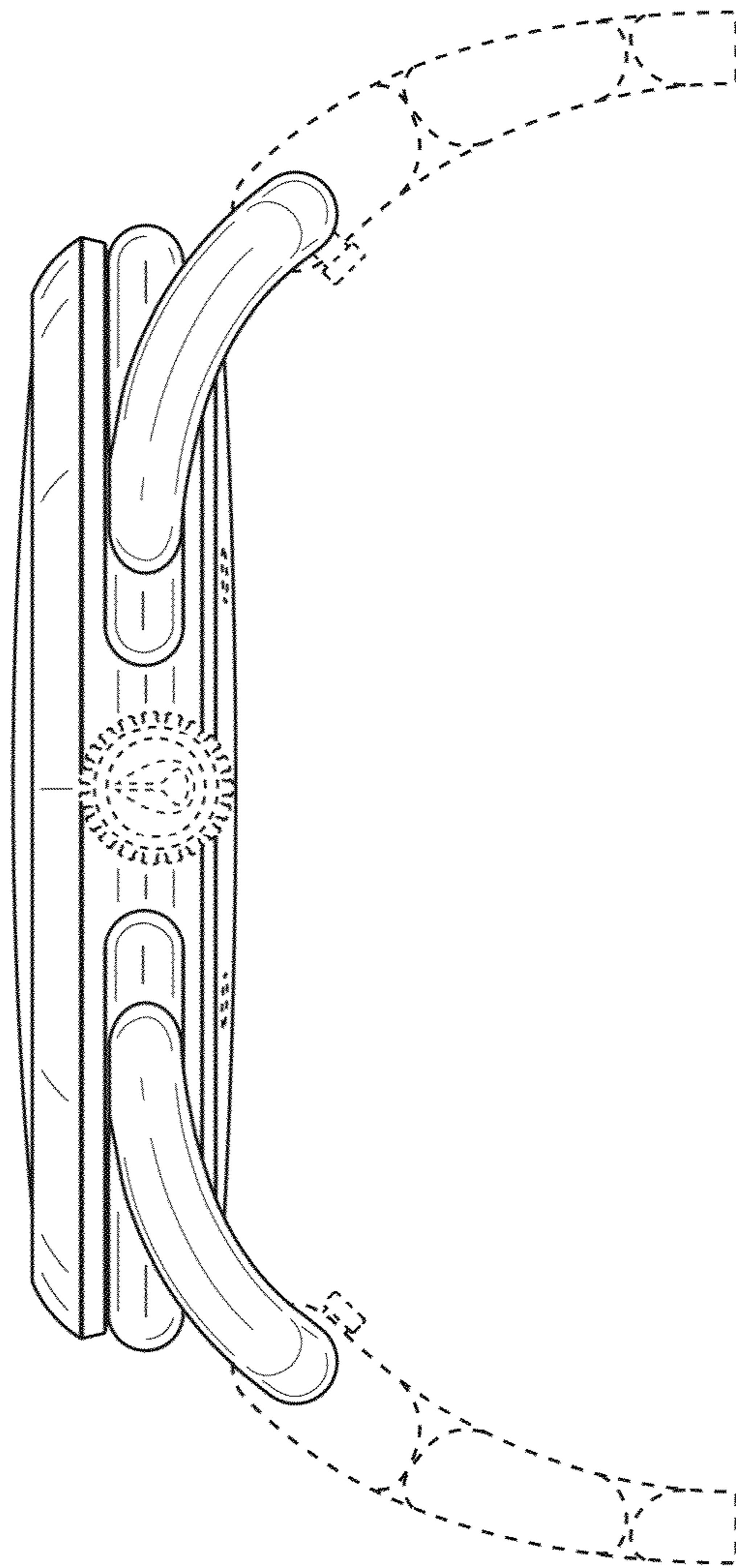


FIG.6

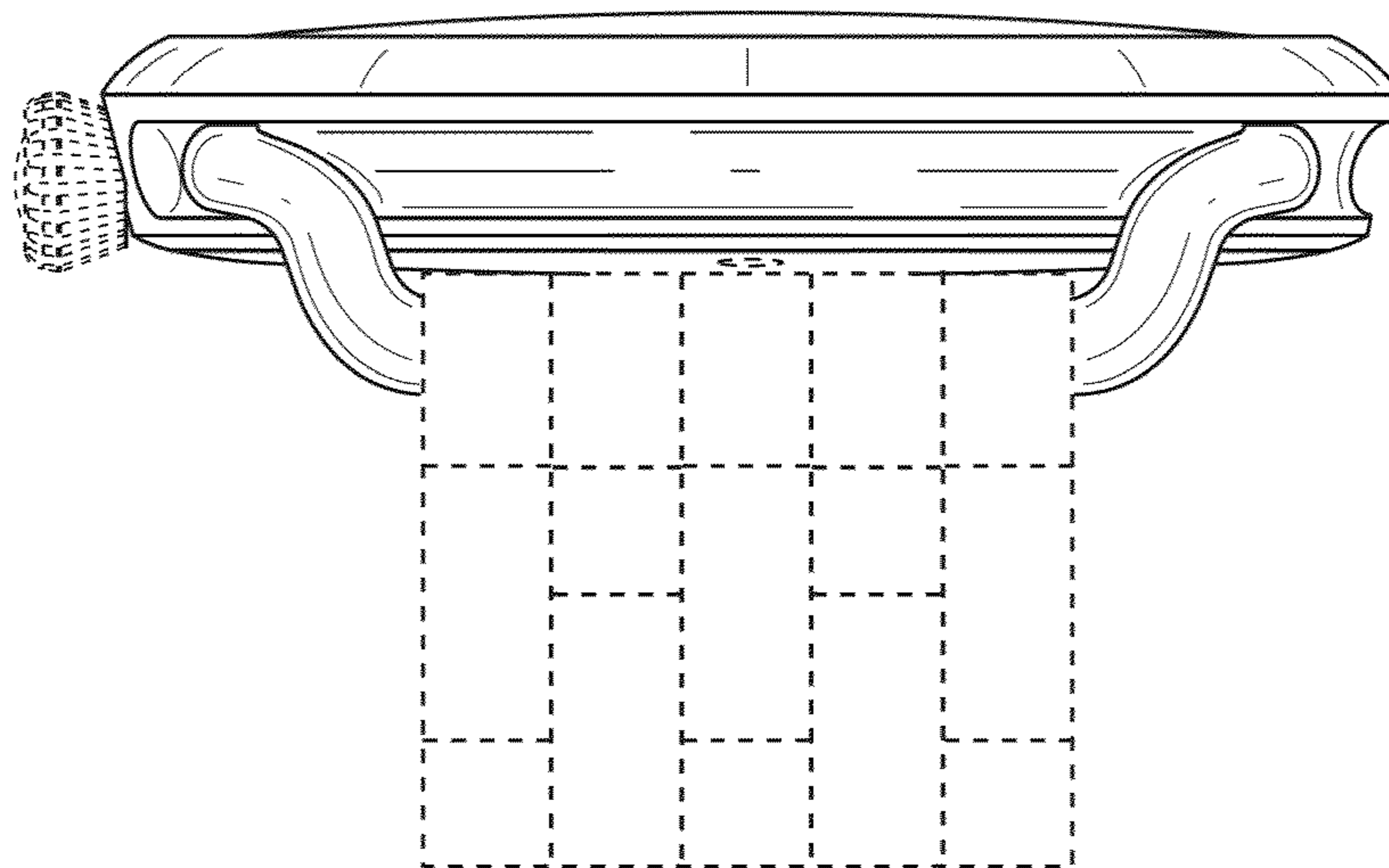


FIG.7

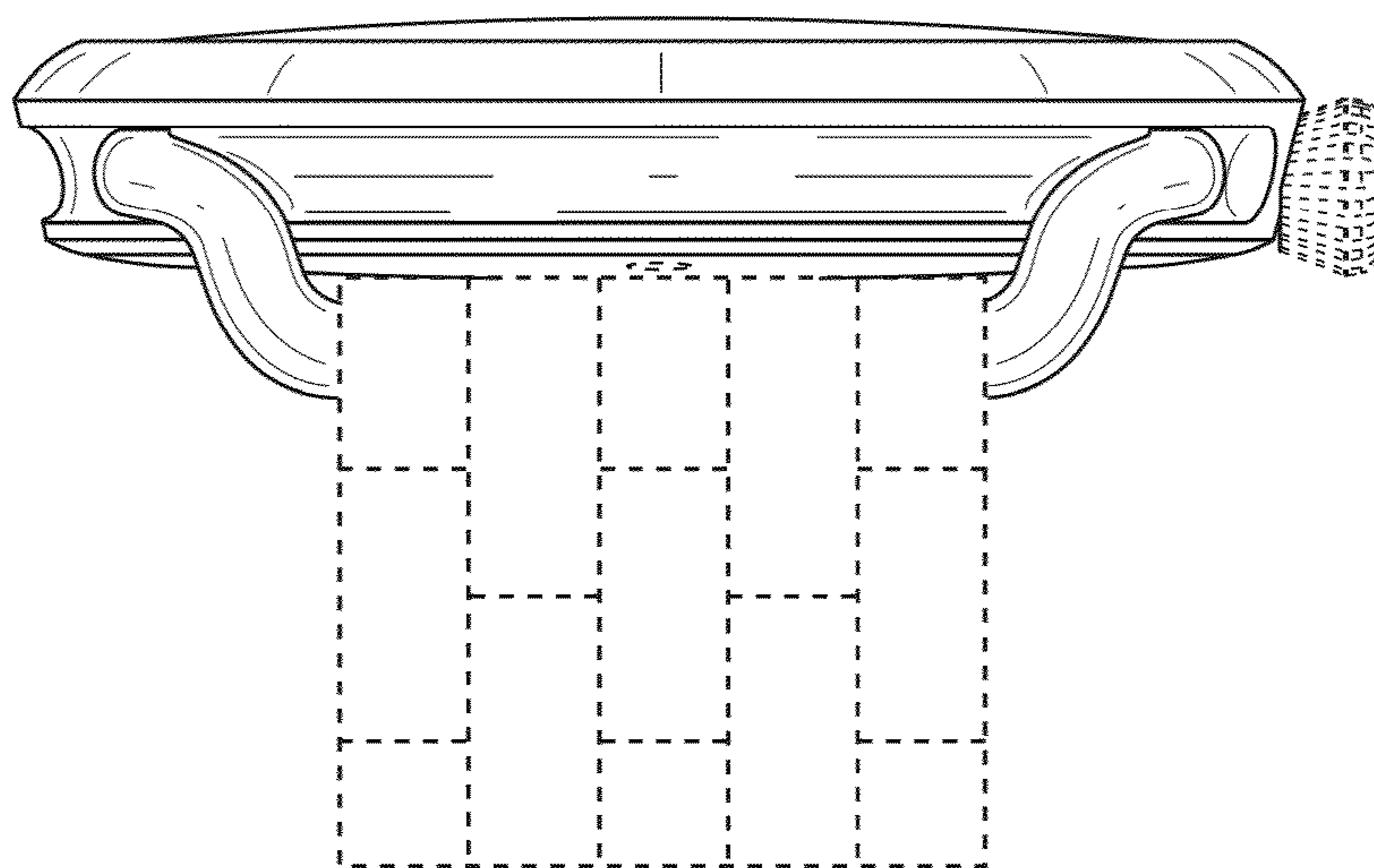


FIG.8



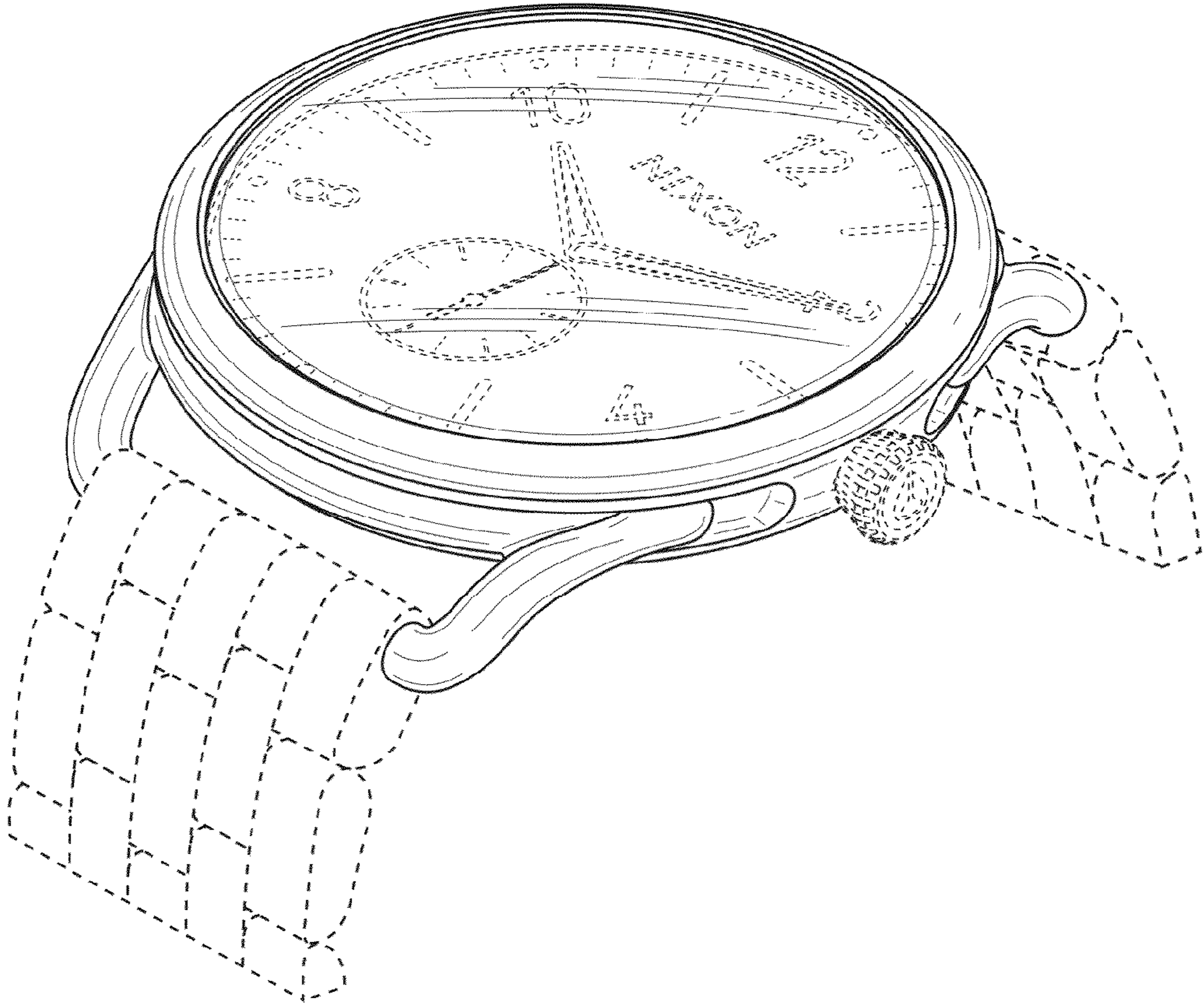


FIG.9



FIG.10