



US00D746156S

(12) **United States Design Patent**  
**Bondioli et al.**

(10) **Patent No.:** **US D746,156 S**

(45) **Date of Patent:** **\*\* Dec. 29, 2015**

(54) **CONTAINER**

2543/00092; B65D 2543/00101; B65D  
2543/00111

(71) Applicant: **CALZE ILEANA S.p.A.**, Carpenedolo  
(Brescia) (IT)

See application file for complete search history.

(72) Inventors: **Luca Bondioli**, Carpenedolo (IT); **Alda Bondioli**, Carpenedolo (IT)

(56) **References Cited**

U.S. PATENT DOCUMENTS

(73) Assignee: **CALZE ILEANE S.P.A.**, Carpenedolo  
(Brescia) (IT)

D304,686	S	*	11/1989	Jarrin	.....	D9/782
D423,932	S	*	5/2000	Miura	.....	D9/438
D472,467	S	*	4/2003	Weinstein et al.	.....	D9/430
D538,640	S	*	3/2007	Limber	.....	D9/745
D588,935	S	*	3/2009	Richardson et al.	.....	D9/773
D653,964	S	*	2/2012	Cepetic	.....	D9/773
D666,873	S	*	9/2012	Gluck	.....	D7/510
D678,784	S	*	3/2013	Aranha	.....	D9/772
D696,936	S	*	1/2014	Radau et al.	.....	D9/418
D698,641	S	*	2/2014	Theisen et al.	.....	D9/418
D715,162	S	*	10/2014	Farrow et al.	.....	D9/772

(\*\*) Term: **14 Years**

\* cited by examiner

(21) Appl. No.: **29/514,542**

(22) Filed: **Jan. 13, 2015**

(51) **LOC (10) Cl.** ..... **09-01**

*Primary Examiner* — Keli L Hill

(52) **U.S. Cl.**

USPC ..... **D9/772**; D9/780

(74) *Attorney, Agent, or Firm* — John Alumit

(58) **Field of Classification Search**

USPC ..... D9/434, 435, 500, 502, 516, 530, 537,  
D9/539, 542, 549, 763–783, 553, 566;  
215/381–385; 220/660, 662, 669

(57) **CLAIM**

The ornamental design for a container, as shown and described.

CPC ..... B65D 1/00; B65D 1/02; B65D 1/12;  
B65D 1/14; B65D 1/40; B65D 1/44; B65D  
1/023; B65D 1/0223; B65D 1/165; B65D  
1/238; B65D 1/246; B65D 1/253; B65D 7/04;  
B65D 21/0209; B65D 21/0233; B65D 25/00;  
B65D 25/28; B65D 41/0457; B65D 41/17;  
B65D 53/06; B65D 75/56; B65D 79/005;  
B65D 2501/0036; B65D 2543/00064; B65D  
2543/00074; B65D 2543/00083; B65D

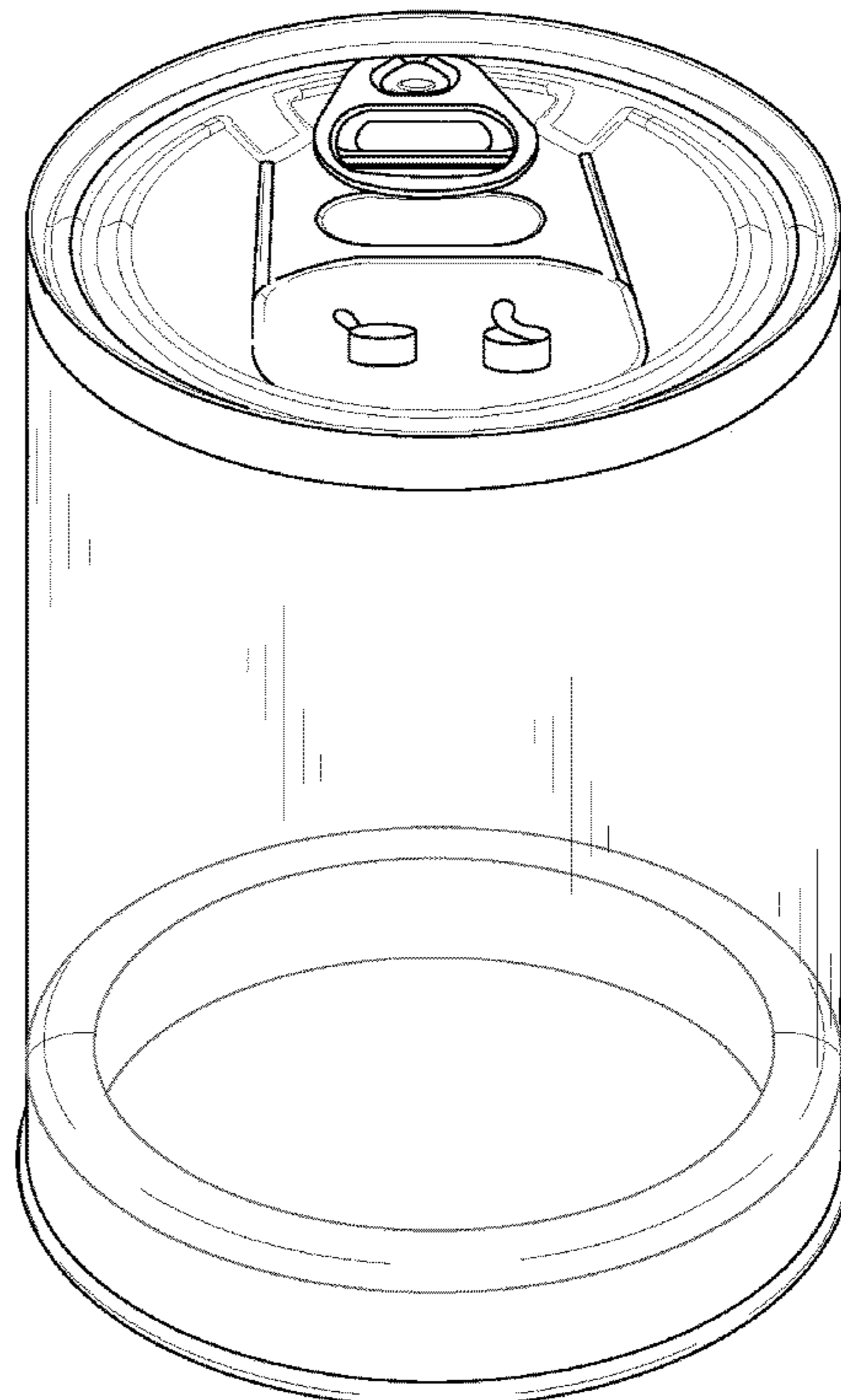
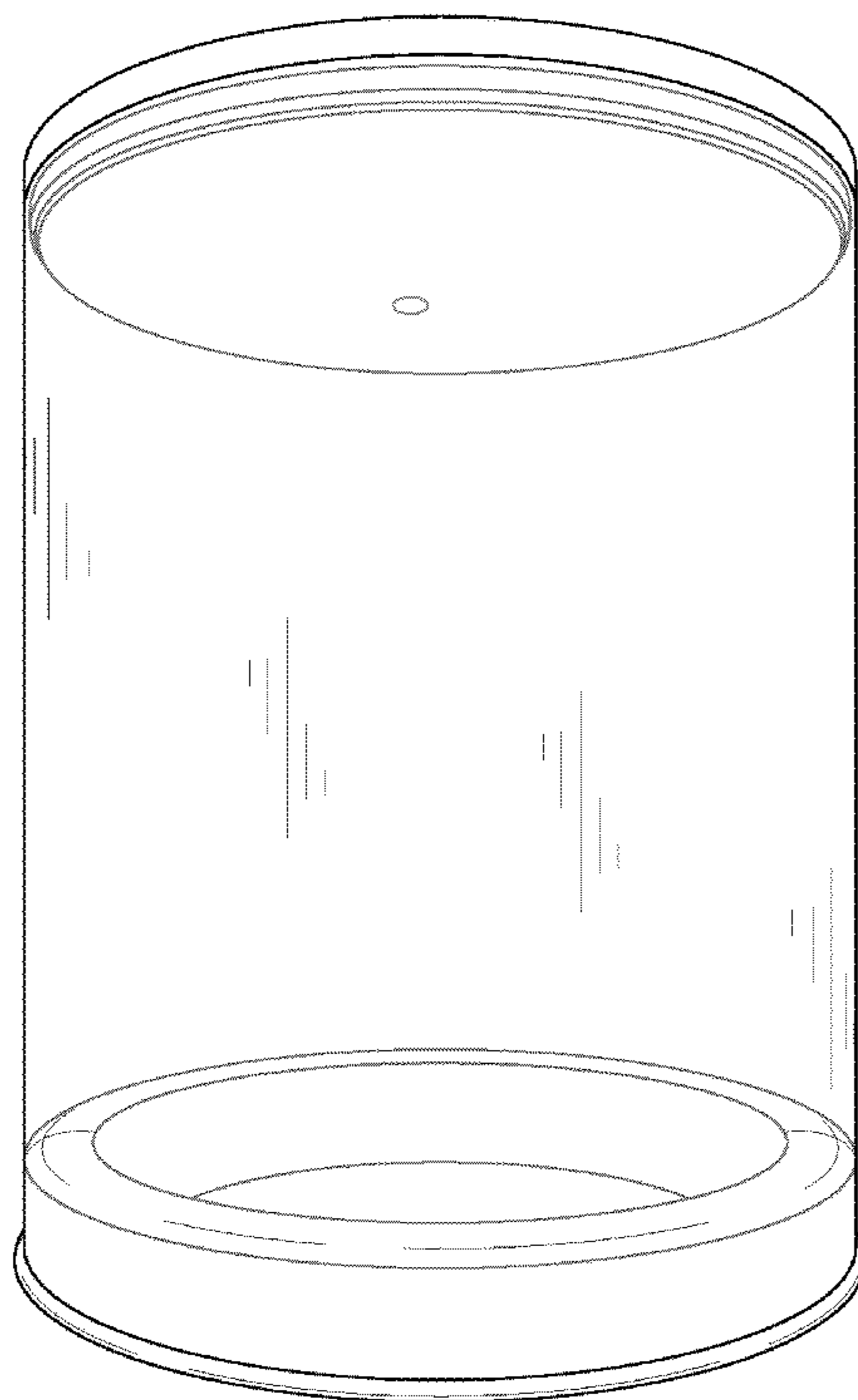
**DESCRIPTION**

FIG. 1 is a perspective view of the preferred embodiment of a container according to the new design.

FIG. 2 is a top view of the container according to the new design; and,

FIG. 3 is a perspective view from the top of the container according to the new design.

**1 Claim, 3 Drawing Sheets**



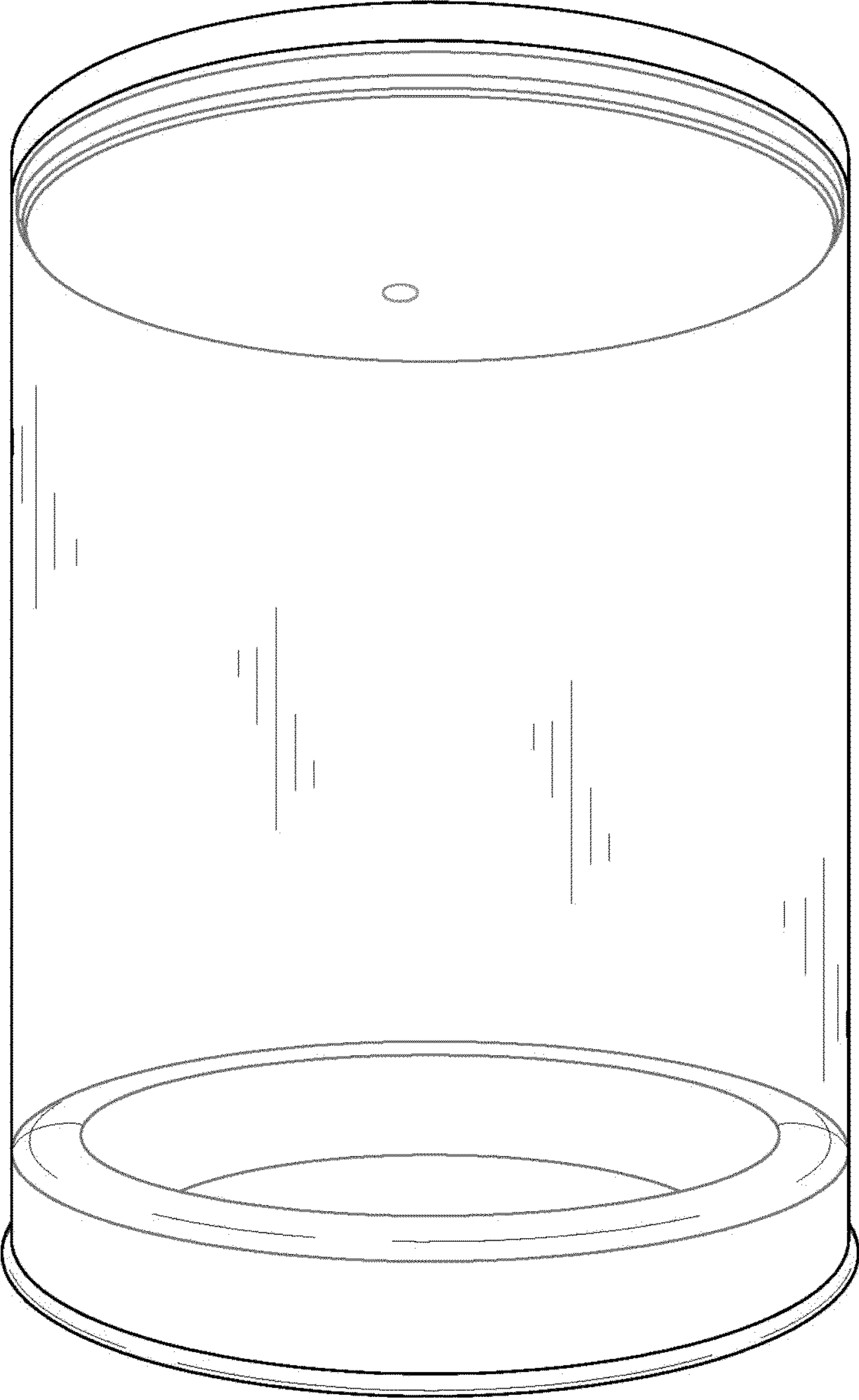


FIG. 1

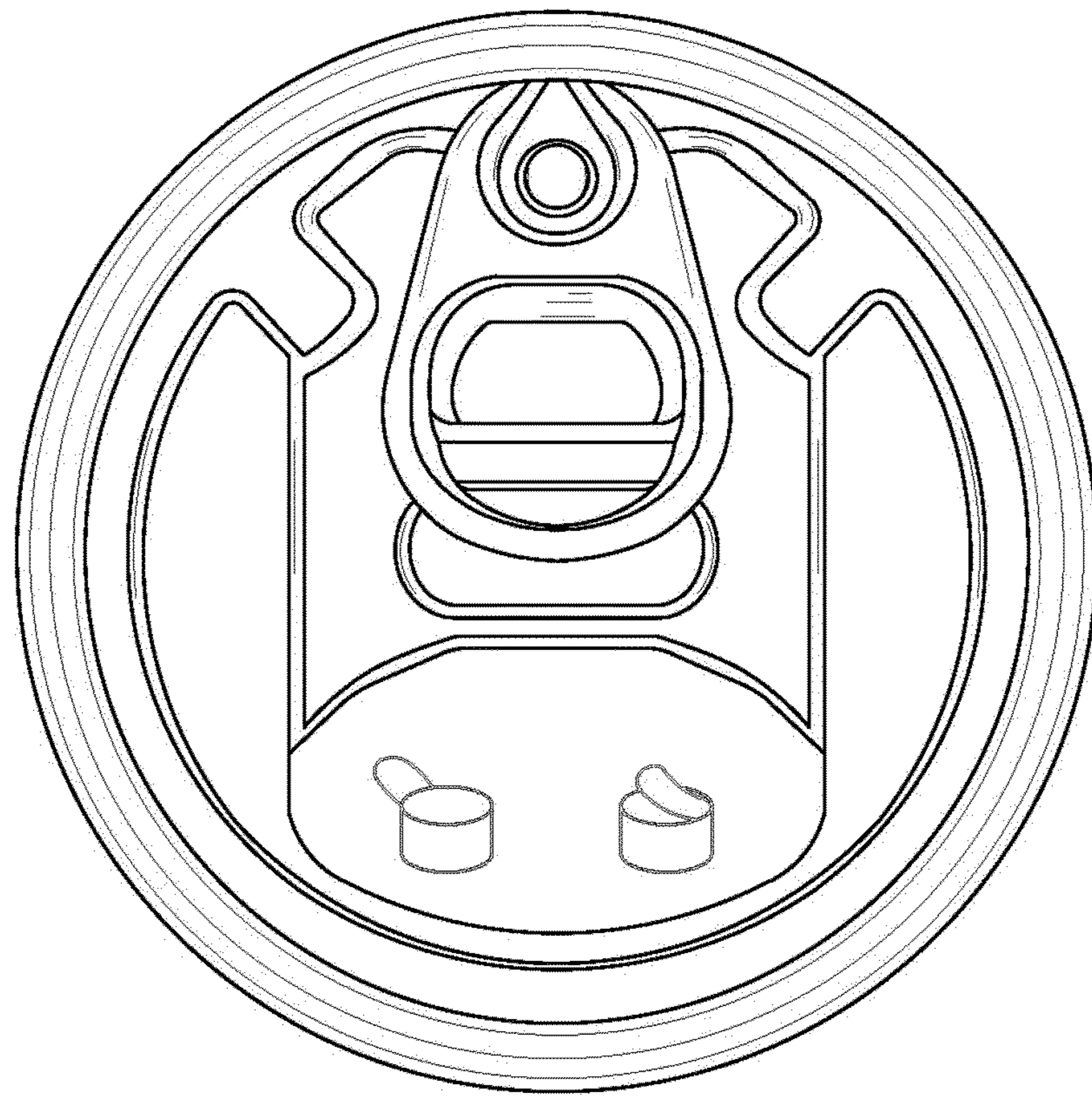


FIG. 2

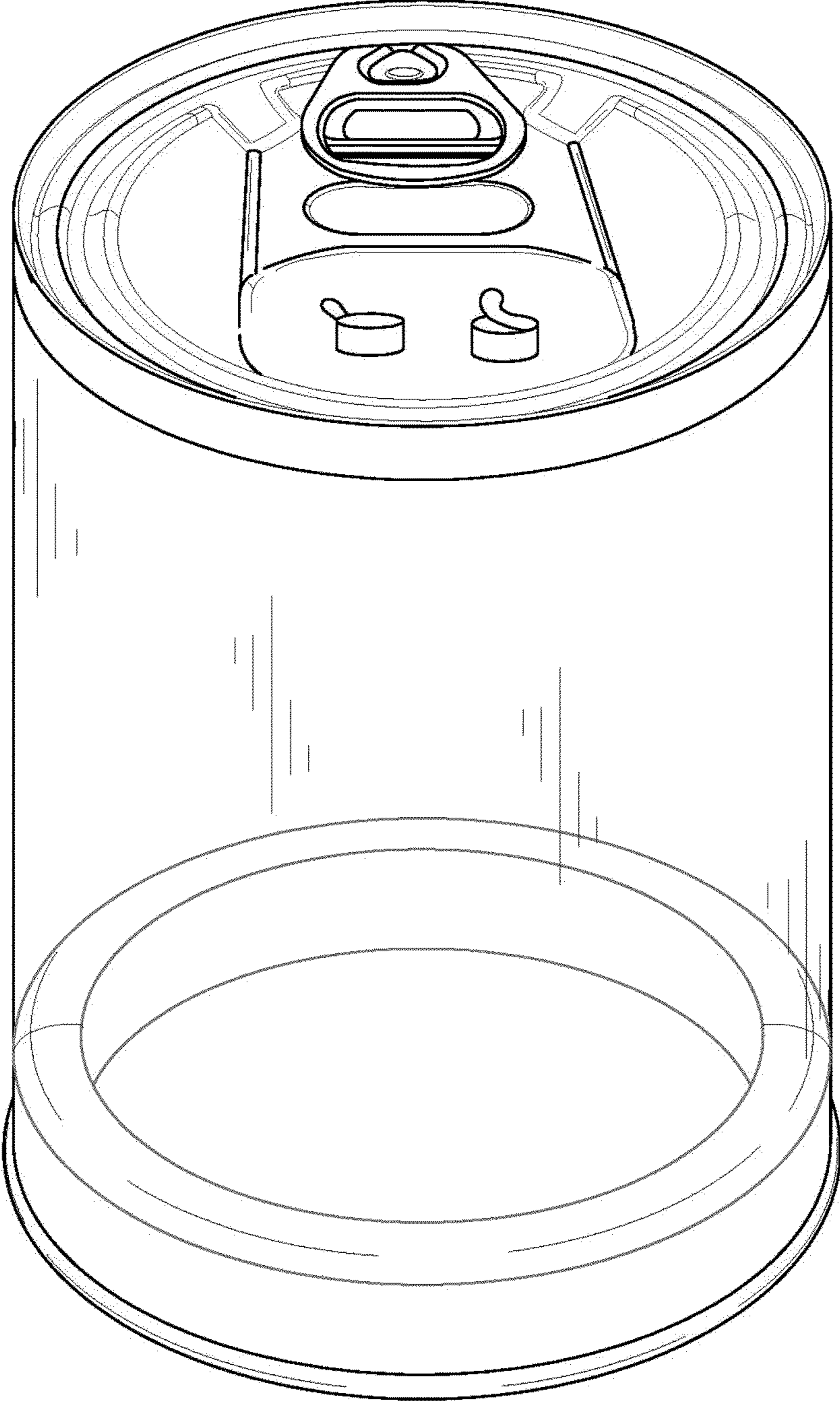


FIG. 3