



US00D746155S

(12) **United States Design Patent**
Borg

(10) **Patent No.:** **US D746,155 S**

(45) **Date of Patent:** **** Dec. 29, 2015**

(54) **UNIPAK HANDLE**

(71) Applicant: **Oregon Precision Industries, Inc.**,
Eugene, OR (US)

(72) Inventor: **Zakary James Borg**, Eugene, OR (US)

(73) Assignee: **Oregon Precision Industries, Inc.**,
Eugene, OR (US)

(**) Term: **14 Years**

(21) Appl. No.: **29/496,643**

(22) Filed: **Jul. 15, 2014**

(51) **LOC (10) Cl.** **09-03**

(52) **U.S. Cl.**
USPC **D9/752**; D9/434; D9/499

(58) **Field of Classification Search**
USPC D9/750, 751, 752, 753, 754, 455, 456,
D9/434, 499, 337, 414, 420-425, 432;
D3/315; 294/87.2, 87.28, 159, 31.2;
206/150, 151, 159, 160, 161, 199, 821,
206/200, 145, 216, 164, 430, 503, 509, 427,
206/206
CPC A47J 45/077; A47J 45/07; A47J 45/00;
B65D 23/108; B65D 23/104; B65D 23/10;
A45F 5/10; A45F 2200/0583
See application file for complete search history.

(56) **References Cited**

U.S. PATENT DOCUMENTS

2,759,756	A *	8/1956	Sikora	294/31.2
2,865,669	A *	12/1958	Linthicum	294/87.2
D192,893	S *	5/1962	Brunsing	D9/752
3,036,853	A *	5/1962	Glazer	294/87.2
D194,199	S *	12/1962	Poupitch	D9/752
D197,356	S *	1/1964	De Shazor, Jr.	D9/752
D197,357	S *	1/1964	De Shazor, Jr.	D9/752
D197,358	S *	1/1964	De Shazor, Jr.	D9/752

D199,284	S *	9/1964	Petrone et al.	D9/752
3,268,070	A *	8/1966	Cunningham	206/150
3,275,366	A *	9/1966	Hidding	294/31.2
3,311,252	A *	3/1967	Swartwood et al.	215/397
3,463,536	A *	8/1969	Beyer et al.	294/31.2
D237,465	S *	11/1975	Calvert	D9/752
D237,466	S *	11/1975	Calvert	D9/752
D237,589	S *	11/1975	Calvert	D9/752
D238,146	S *	12/1975	Calvert	D9/752
D238,249	S *	12/1975	Erickson	D9/752
D238,657	S *	2/1976	Erickson	D9/752
4,093,295	A *	6/1978	Erickson	294/87.2

(Continued)

Primary Examiner — Mark Goodwin

(74) *Attorney, Agent, or Firm* — Alleman Hall McCoy
Russell & Tuttle LLP

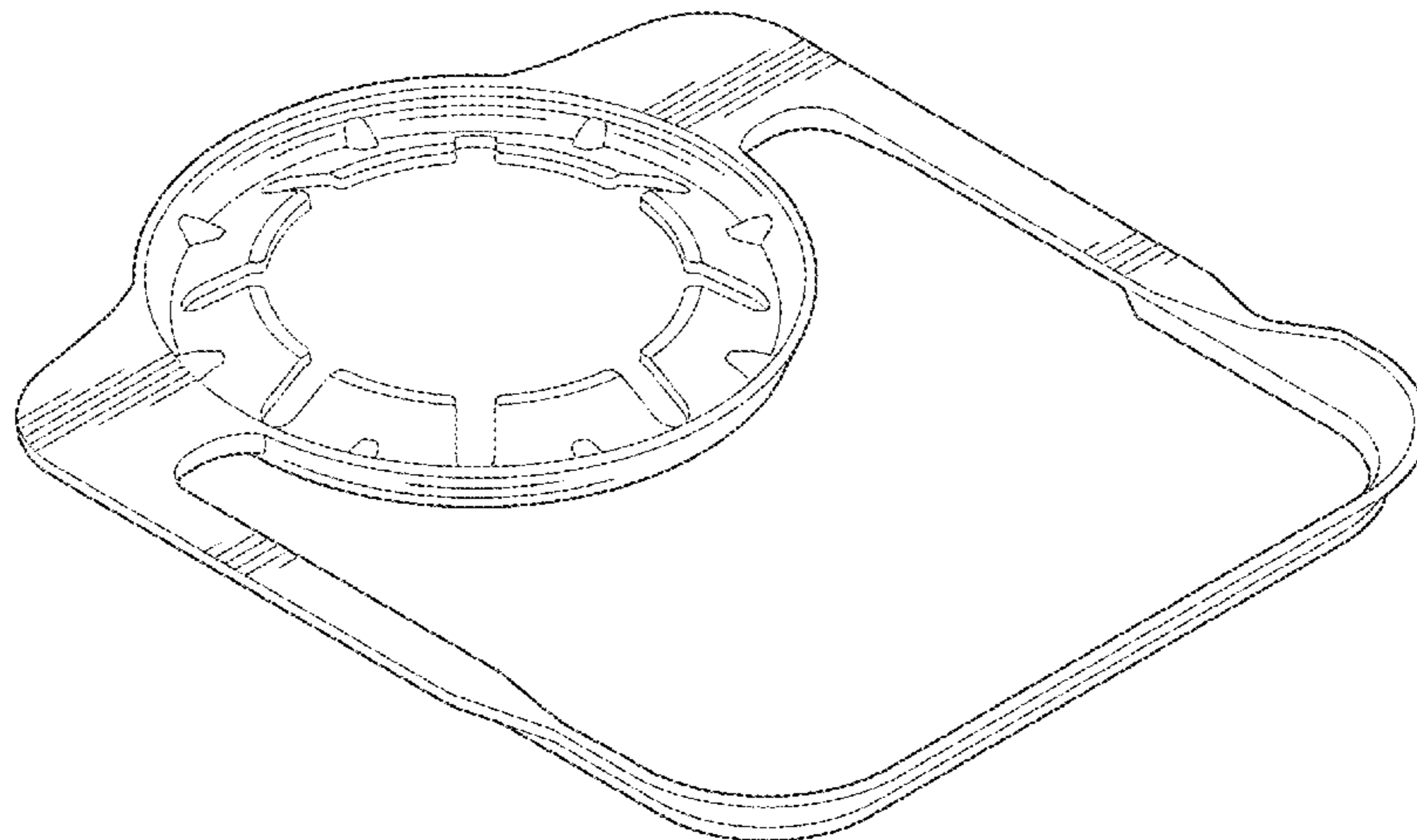
(57) **CLAIM**

The ornamental design for a unipak handle, as shown and described.

DESCRIPTION

FIG. 1 is a top left perspective view of an ornamental design for a unipak handle according to the present invention. FIG. 2 is a bottom left perspective view of the unipak handle of FIG. 1. FIG. 3 is a top view of the unipak handle of FIG. 1. FIG. 4 is a bottom view of the unipak handle of FIG. 1. FIG. 5 is a right side view of the unipak handle of FIG. 1, the left side being a mirror image of the right. FIG. 6 is a rear view of the unipak handle of FIG. 1. FIG. 7 is a front view of the unipak handle of FIG. 1; and, FIG. 8 is a right side view of the unipak handle of FIG. 1, showing a neck of a container fitted within a collar of the handle and a hand pulling up and flexing the handle, to thereby lift the container. The dashed lines in FIG. 8 show a container and a hand, and form no part of the claimed design.

1 Claim, 4 Drawing Sheets



(56)

References Cited

U.S. PATENT DOCUMENTS

4,712,680	A *	12/1987	Panazzolo	206/427	D413,800	S *	9/1999	Caparros et al.	D9/752
D294,331	S *	2/1988	Panazzolo	D9/752	D502,406	S *	3/2005	Eddings	D9/752
4,823,959	A *	4/1989	Bixler	206/562	D505,083	S *	5/2005	Tabeshnekoo	D9/752
D310,027	S *	8/1990	Bixler	D9/752	7,108,128	B2 *	9/2006	Borg	206/150
D329,807	S *	9/1992	Heider	D9/752	7,377,382	B2 *	5/2008	Borg et al.	206/150
5,188,413	A *	2/1993	Nathan	294/87.2	7,588,275	B2 *	9/2009	Borg	294/87.2
D348,002	S *	6/1994	Jones	D3/316	D628,348	S *	11/2010	Chao	D30/199
D349,459	S *	8/1994	Borg	D9/455	7,823,943	B2 *	11/2010	Borg	294/87.2
D350,695	S *	9/1994	Adami et al.	D3/316	7,861,853	B2 *	1/2011	Borg	206/151
D354,227	S *	1/1995	Adami et al.	D9/752	D653,560	S *	2/2012	Smithers	D9/752
D356,733	S *	3/1995	Adami et al.	D9/752	D667,299	S *	9/2012	Dom	D9/434
D360,362	S *	7/1995	Strong	D9/455	D704,551	S *	5/2014	Wycoff	D9/434
5,806,904	A *	9/1998	Smith	294/31.2	D705,082	S *	5/2014	Borg et al.	D9/752
D405,687	S *	2/1999	Borg	D9/752	2004/0256250	A1 *	12/2004	Borg	206/162
D408,277	S *	4/1999	Erickson	D9/752	2005/0167289	A1 *	8/2005	Borg	206/151
D412,663	S *	8/1999	Erickson	D9/752	2007/0039836	A1 *	2/2007	Borg et al.	206/150
						2007/0296231	A1 *	12/2007	Borg	294/87.2
						2013/0008915	A1 *	1/2013	Dorn	220/755

* cited by examiner

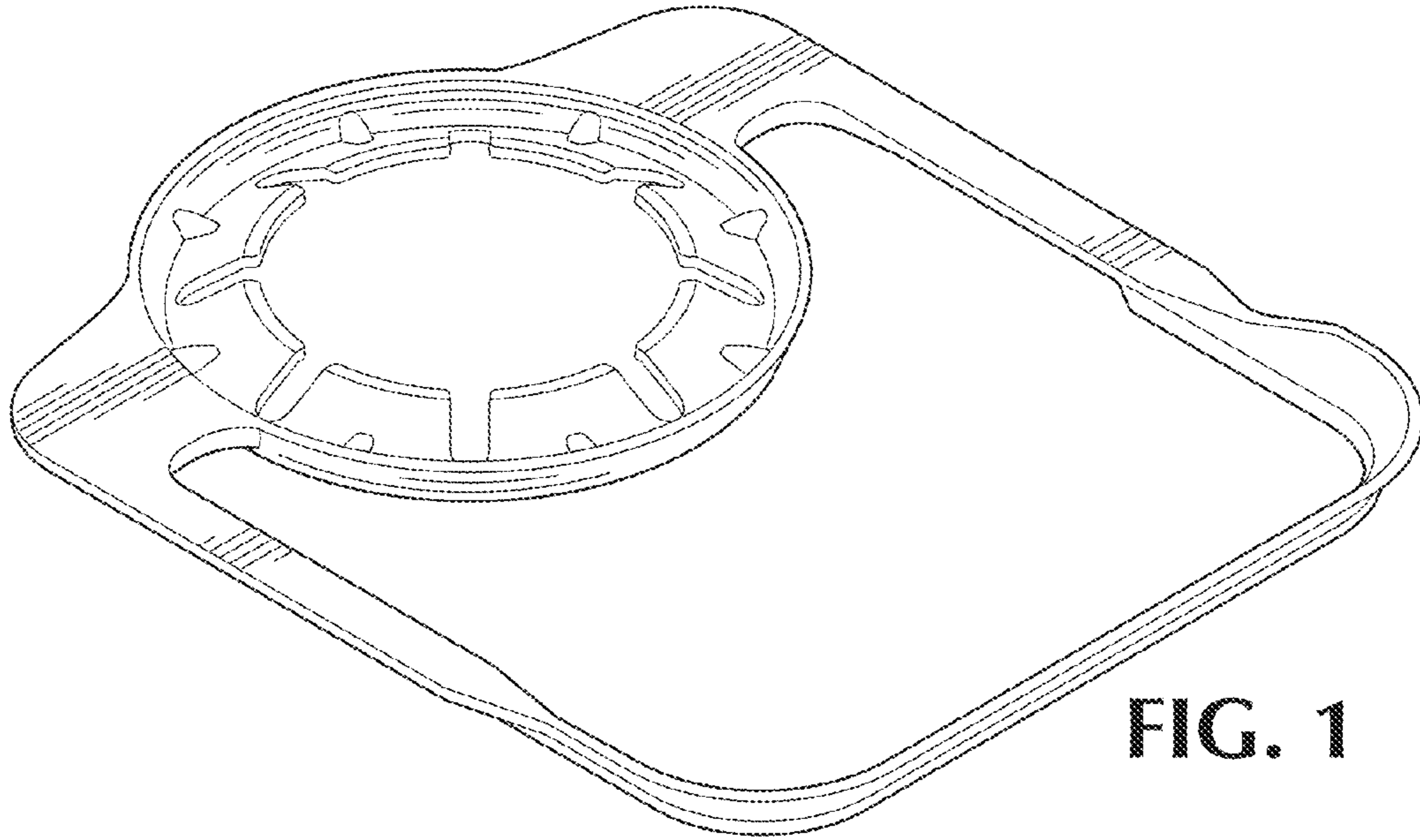


FIG. 1

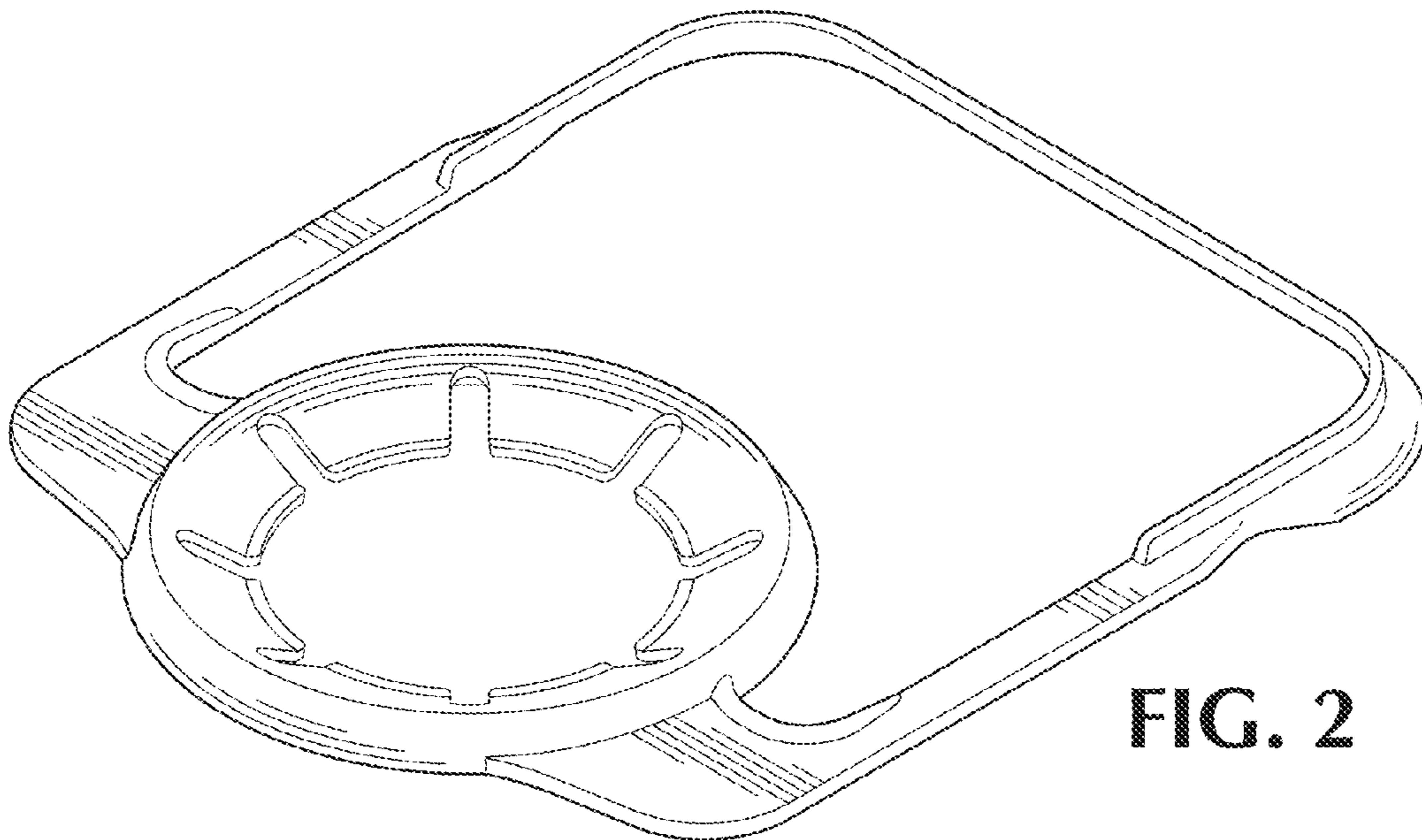


FIG. 2

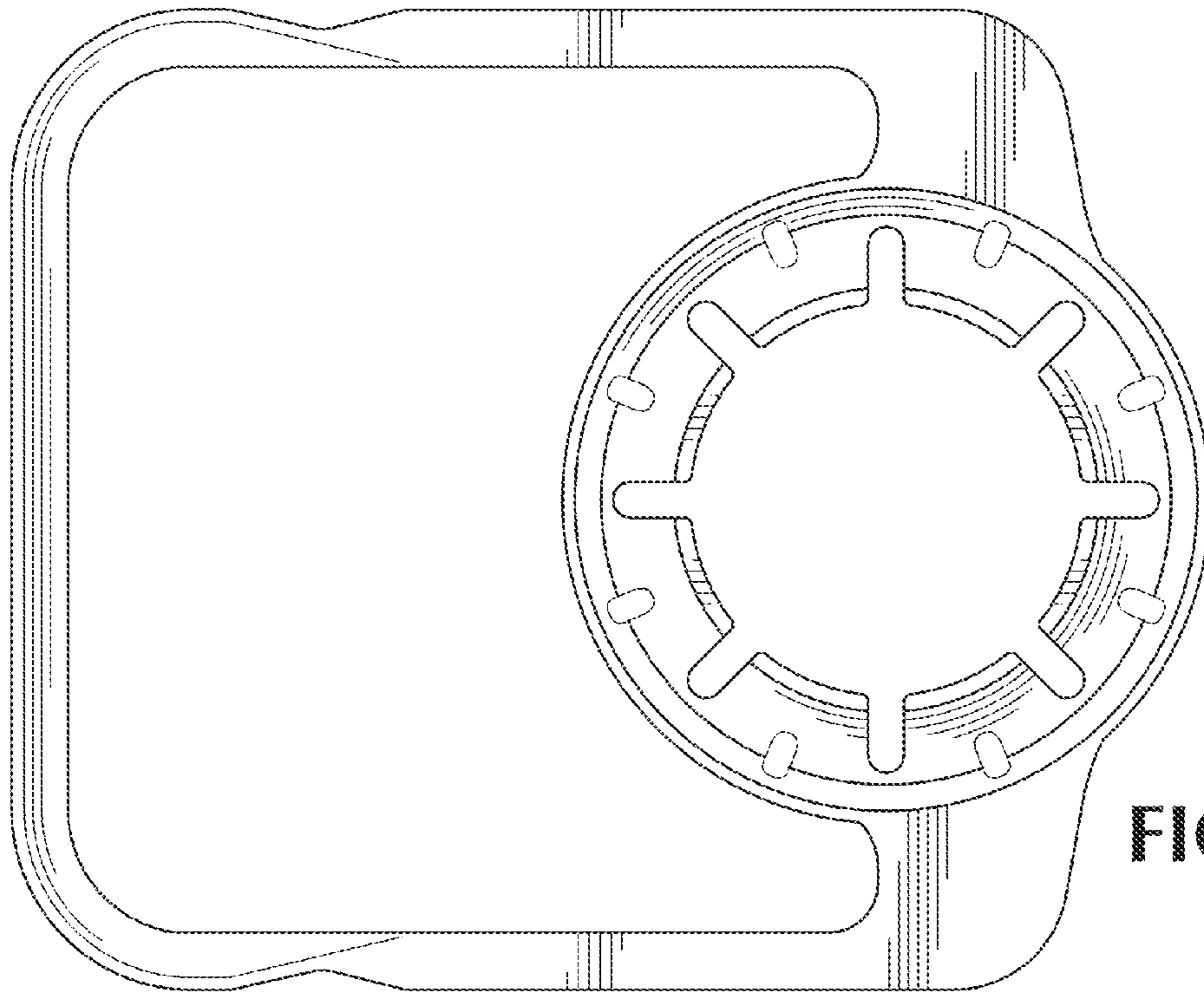


FIG. 3

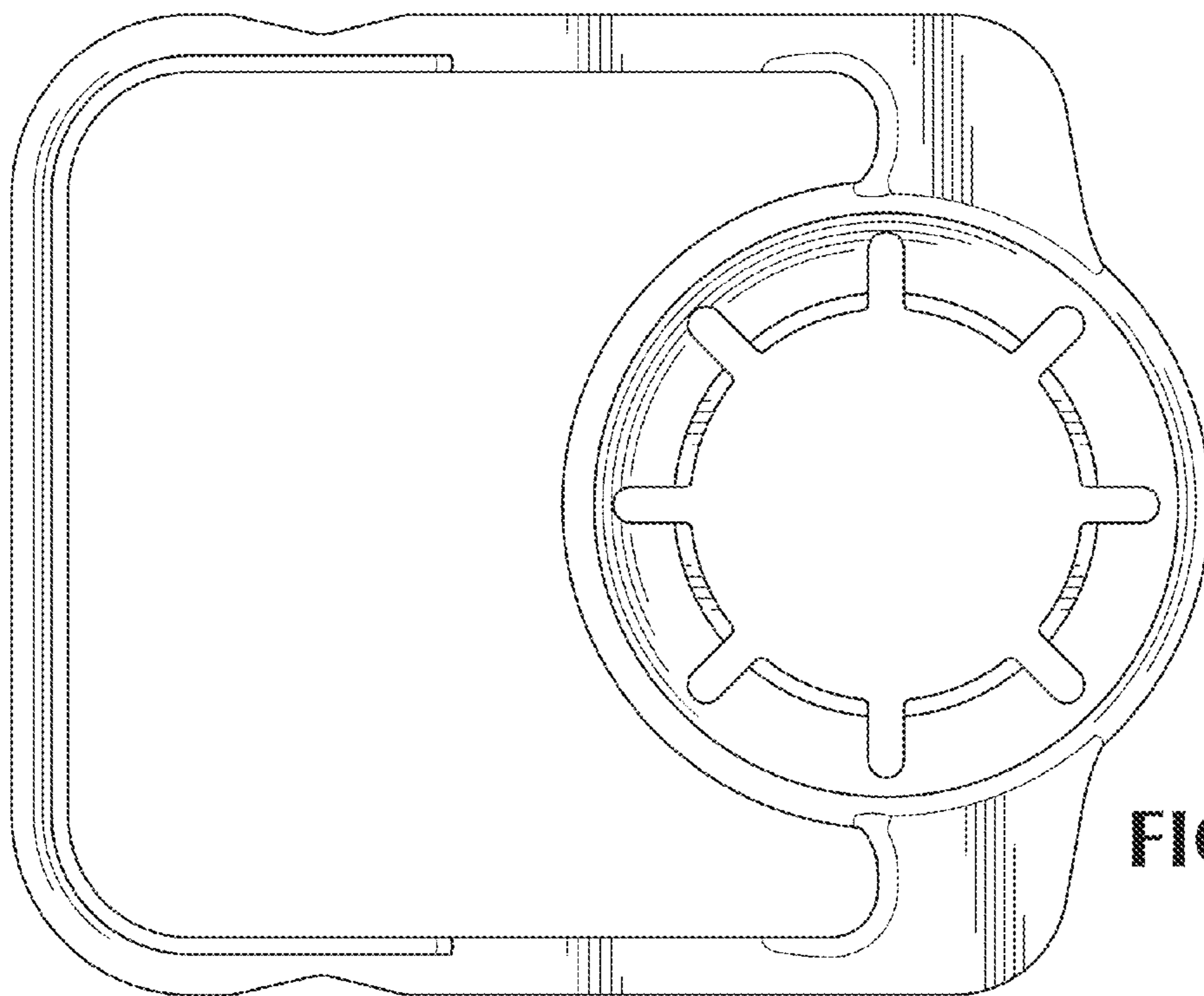


FIG. 4



FIG. 5

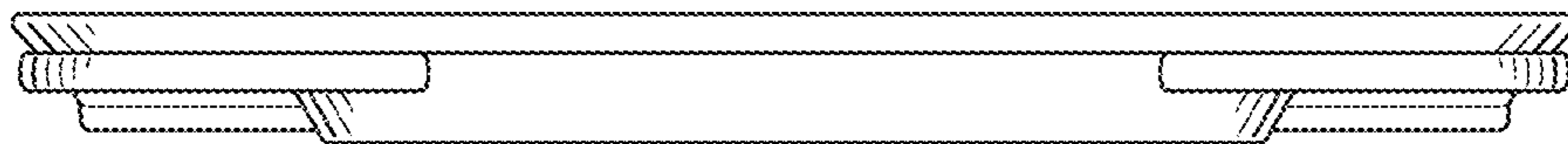


FIG. 6

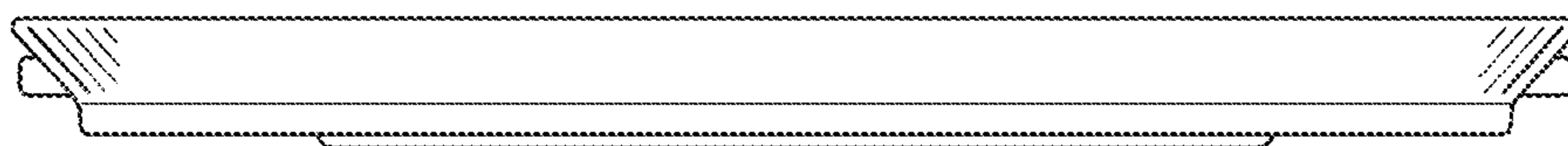


FIG. 7

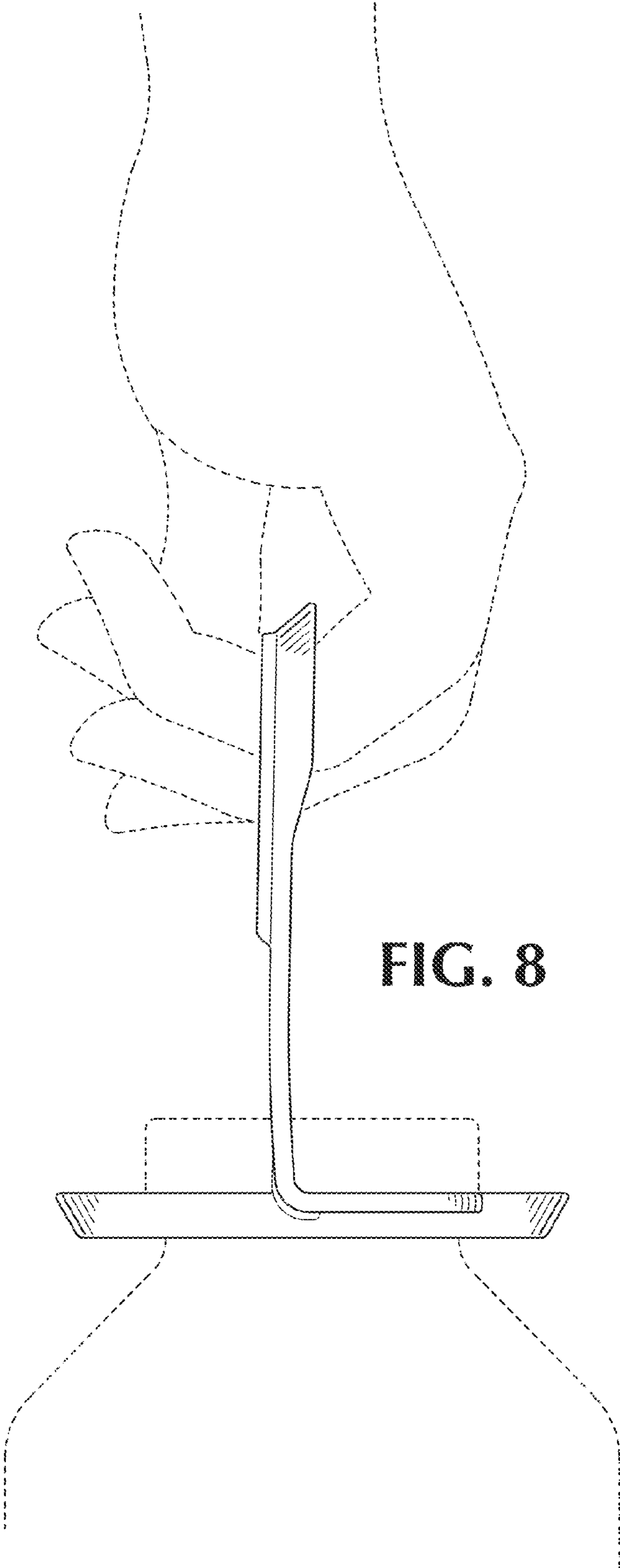


FIG. 8