



US00D746153S

(12) **United States Design Patent**
Nishikawa

(10) **Patent No.:** **US D746,153 S**

(45) **Date of Patent:** **** Dec. 29, 2015**

(54) **ANCHOR TABLE BASE**

(71) Applicant: **Yuko Nishikawa**, Brooklyn, NY (US)

(72) Inventor: **Yuko Nishikawa**, Brooklyn, NY (US)

(73) Assignee: **DONGHIA, Inc.**, Milford, CT (US)

(**) Term: **14 Years**

(21) Appl. No.: **29/484,407**

(22) Filed: **Mar. 10, 2014**

(51) **LOC (10) Cl.** **06-06**

(52) **U.S. Cl.**
USPC **D9/708**

(58) **Field of Classification Search**
USPC D6/708, 709, 691, 691.1, 691.3, 691.8,
D6/691.9
CPC A47B 7/00; A47B 13/00; A47B 13/02;
A47B 13/04; A47B 13/06; A47B 2200/001;
A47B 91/00; A47B 91/005; A47B 2013/024;
A47B 2200/0033

See application file for complete search history.

(56) **References Cited**

U.S. PATENT DOCUMENTS

D288,159 S * 2/1987 Winzeler, III D6/708
D506,330 S * 6/2005 Martin D6/695

D622,983 S * 9/2010 Juskys D6/691
8,371,087 B2 * 2/2013 Benshetrit 52/646
2008/0048089 A1 * 2/2008 Benshetrit 248/558

* cited by examiner

Primary Examiner — Janice Seeger

(74) *Attorney, Agent, or Firm* — Michael A. Blake

(57) **CLAIM**

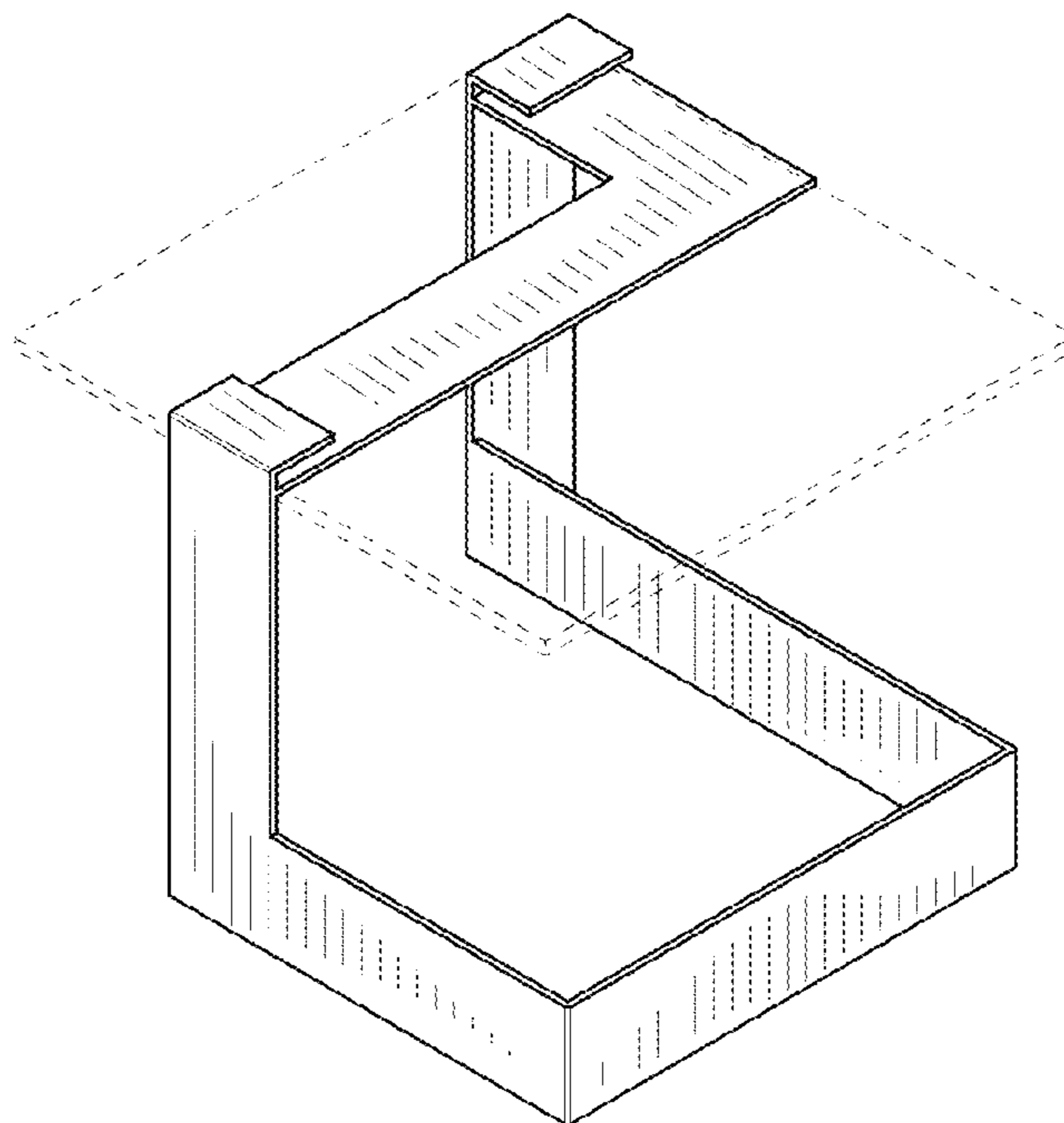
The ornamental design for an anchor table base, as shown and described.

DESCRIPTION

FIG. 1 is a front perspective view of the anchor table base removeably attached to a small table top;
FIG. 2 is a front view of the anchor table base;
FIG. 3 is a rear view of the anchor table base;
FIG. 4 is a left side view of the anchor table base;
FIG. 5 is a right side view of the anchor table base;
FIG. 6 is a top view of the anchor table base;
FIG. 7 is a bottom view of the anchor table base;
FIG. 8 is a perspective view in an alternate environment; and,
FIG. 9 is a perspective view in a second alternate environment.

The broken lines in FIGS. 1, 8, and 9 representing table tops of various sizes, and the broken lines in FIG. 7 representing a fastener hole, show the design as being used, and form no part of the claimed design.

1 Claim, 5 Drawing Sheets



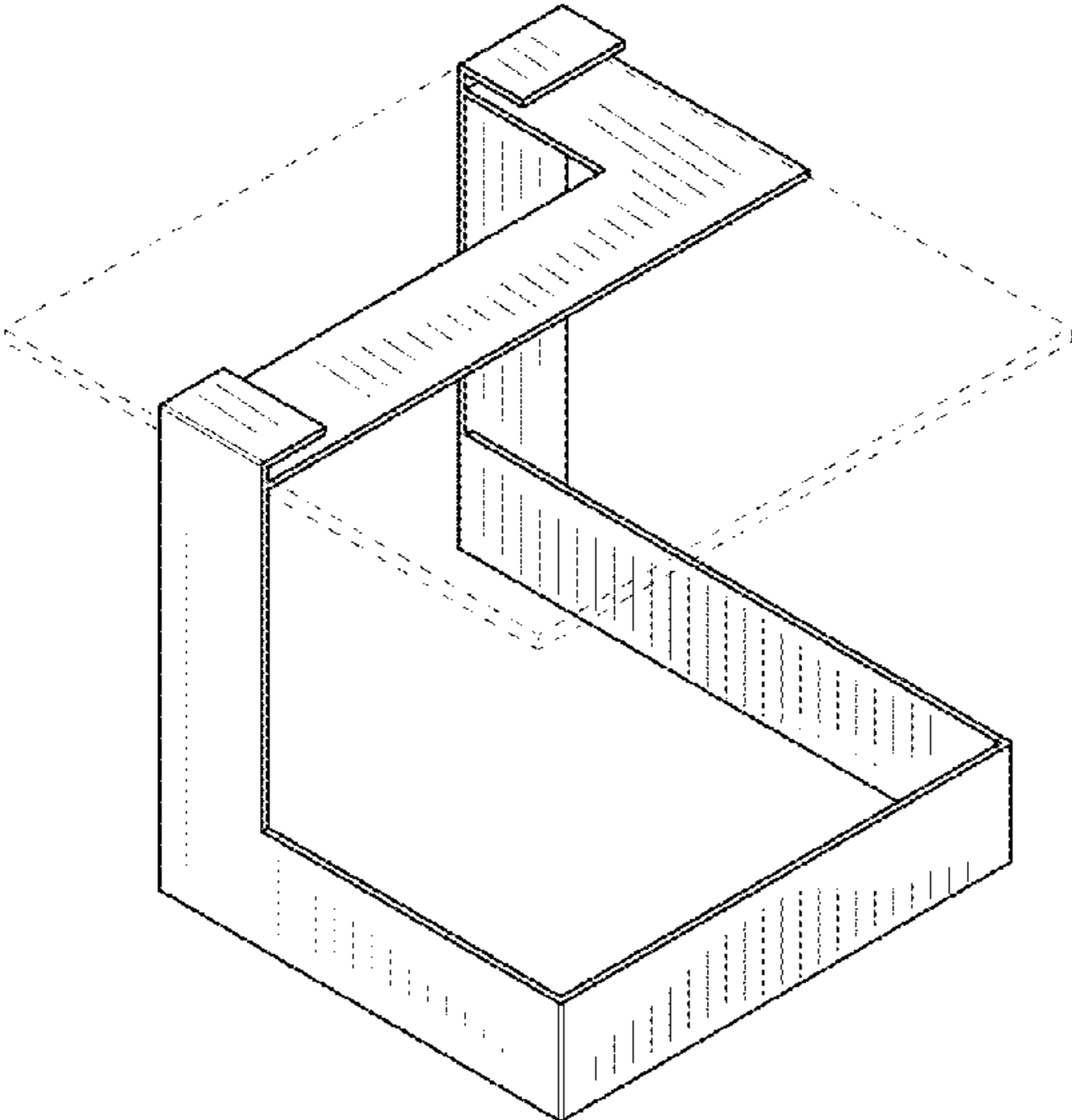


FIG. 1

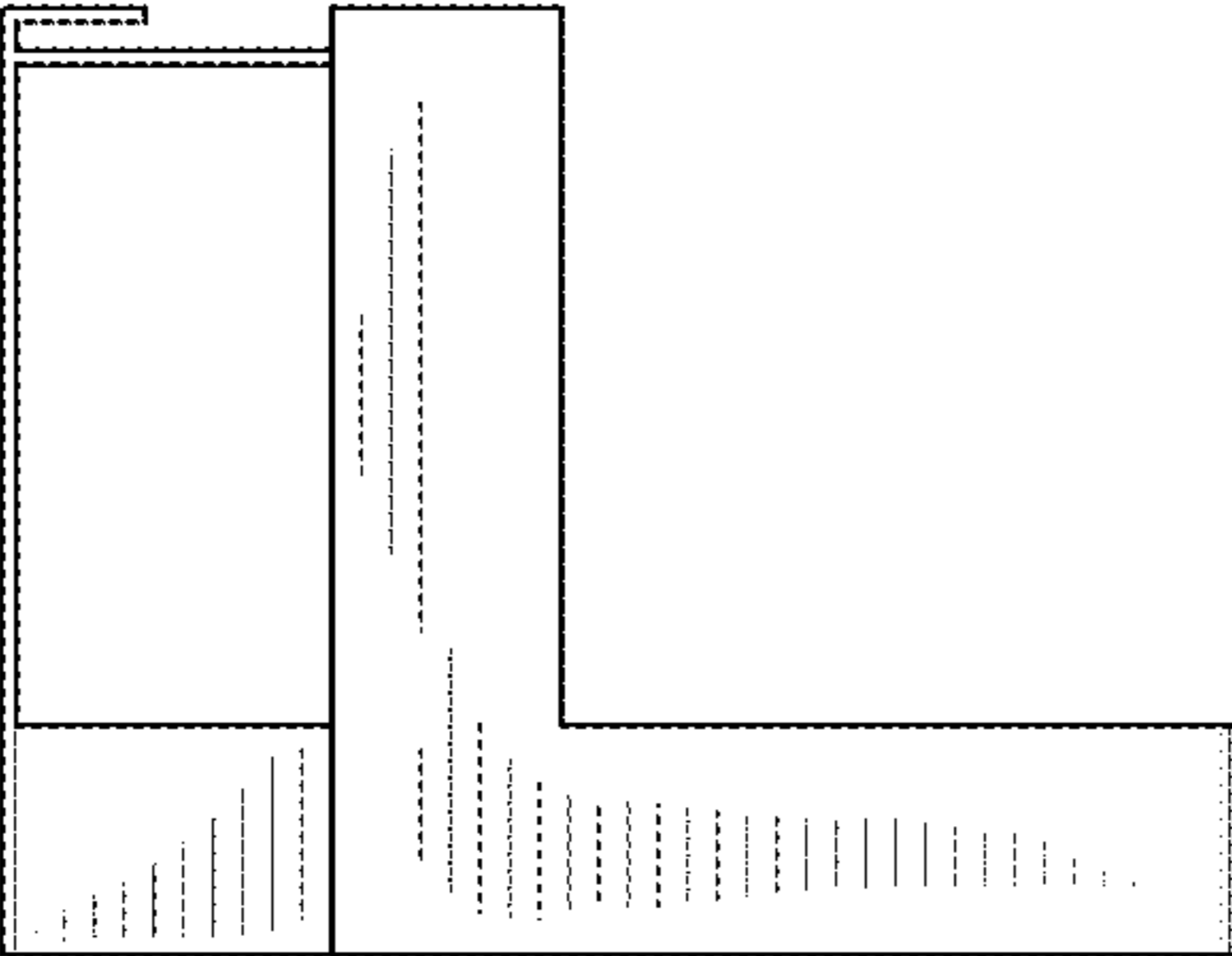


FIG. 2

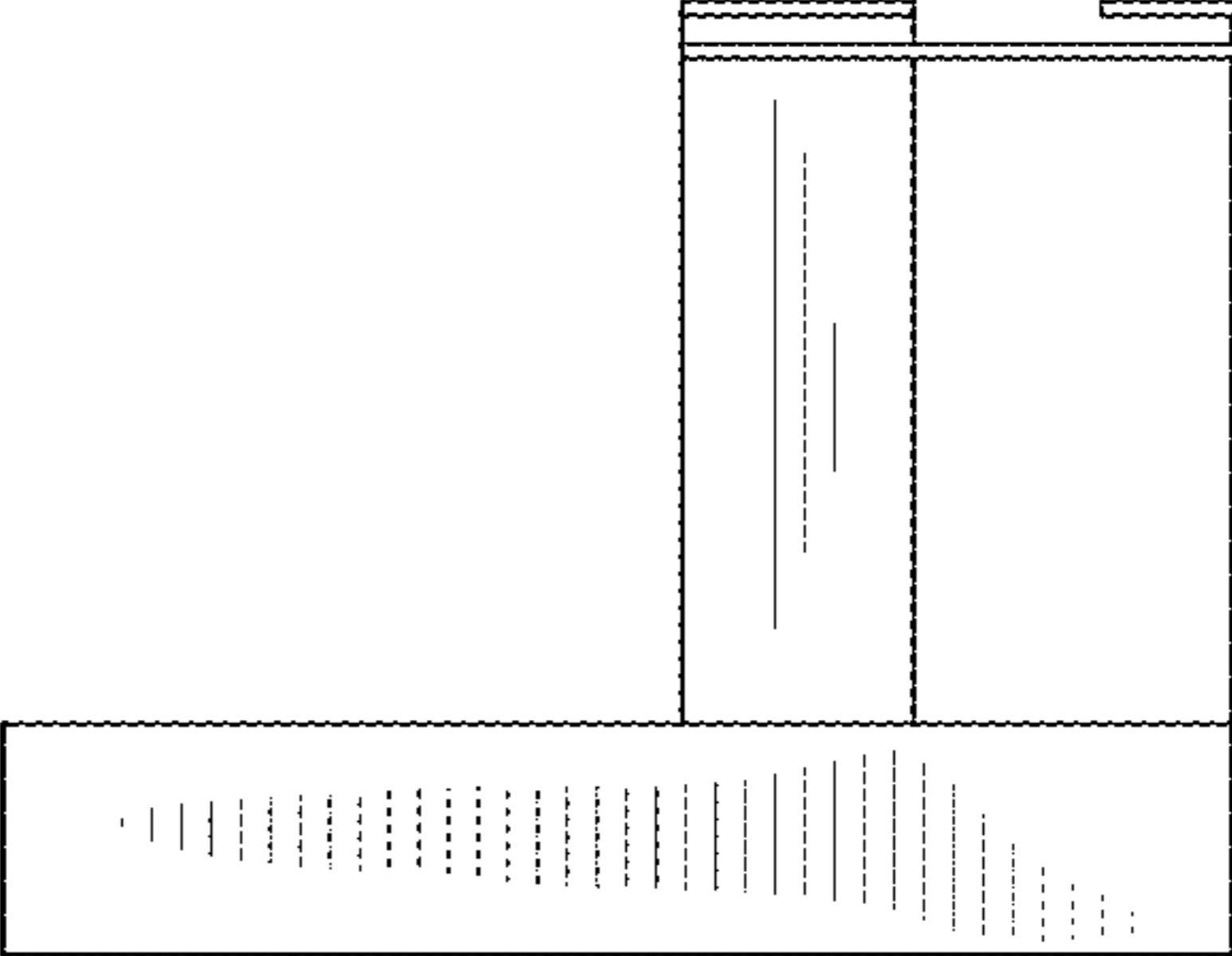


FIG. 3

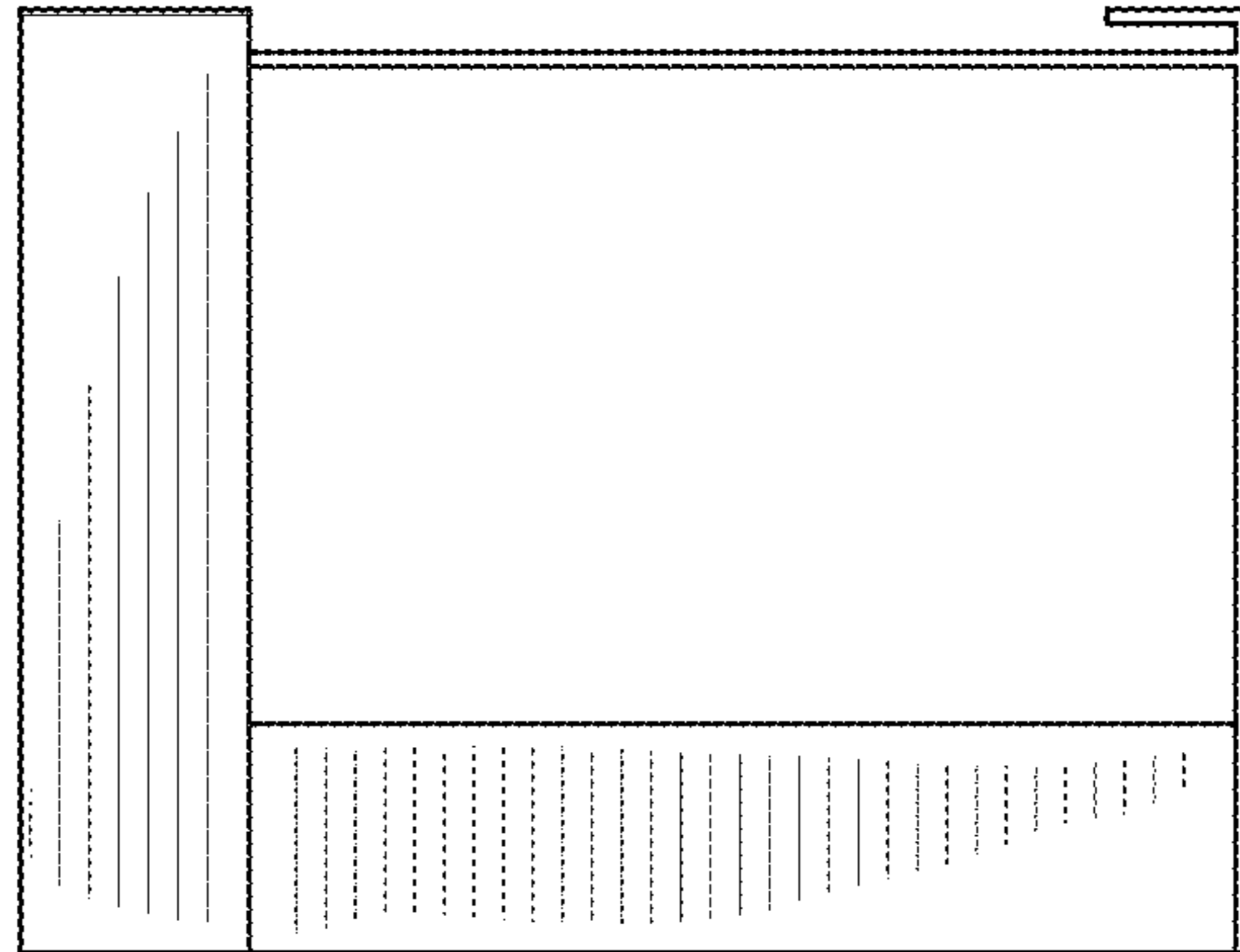


FIG. 4

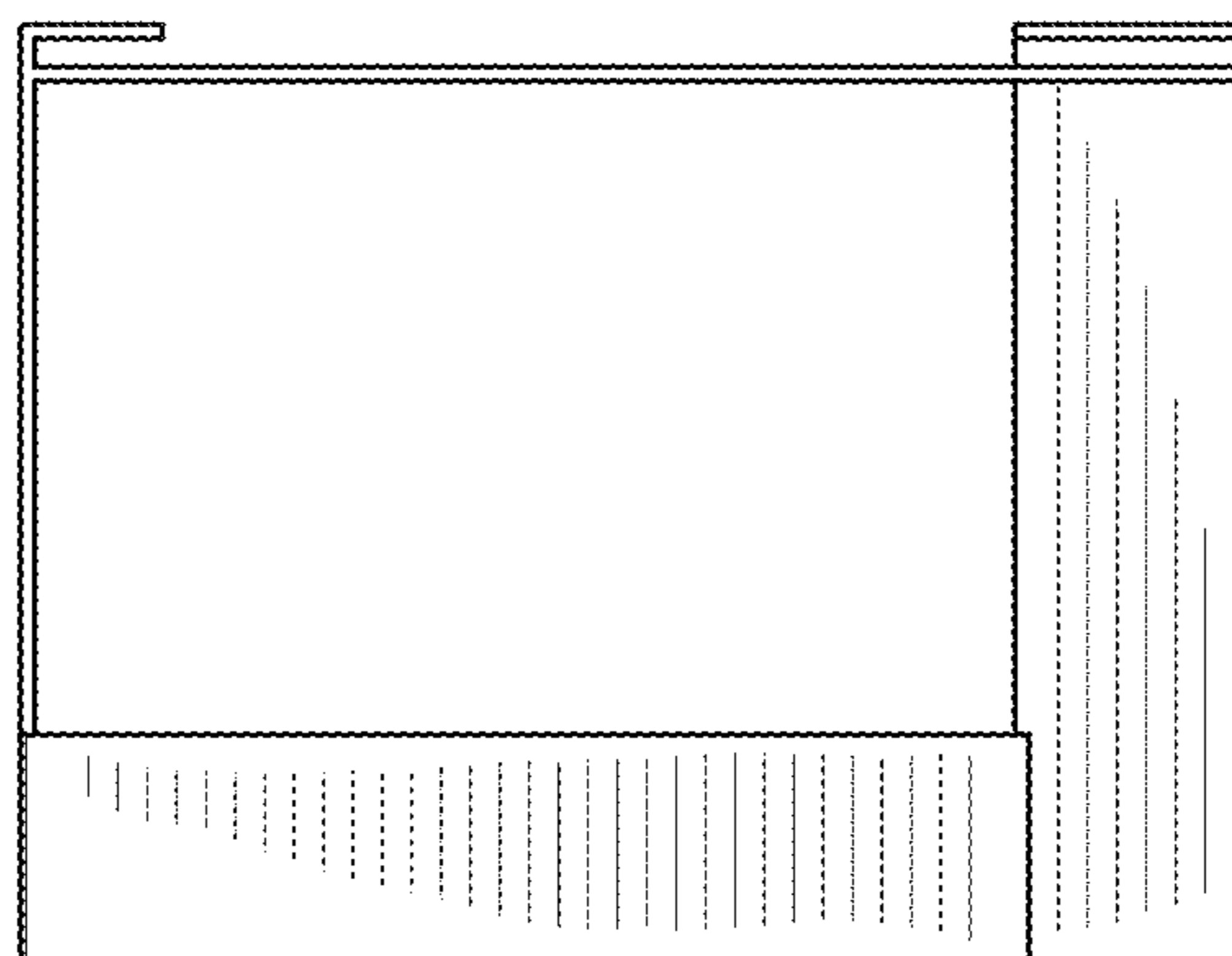


FIG. 5

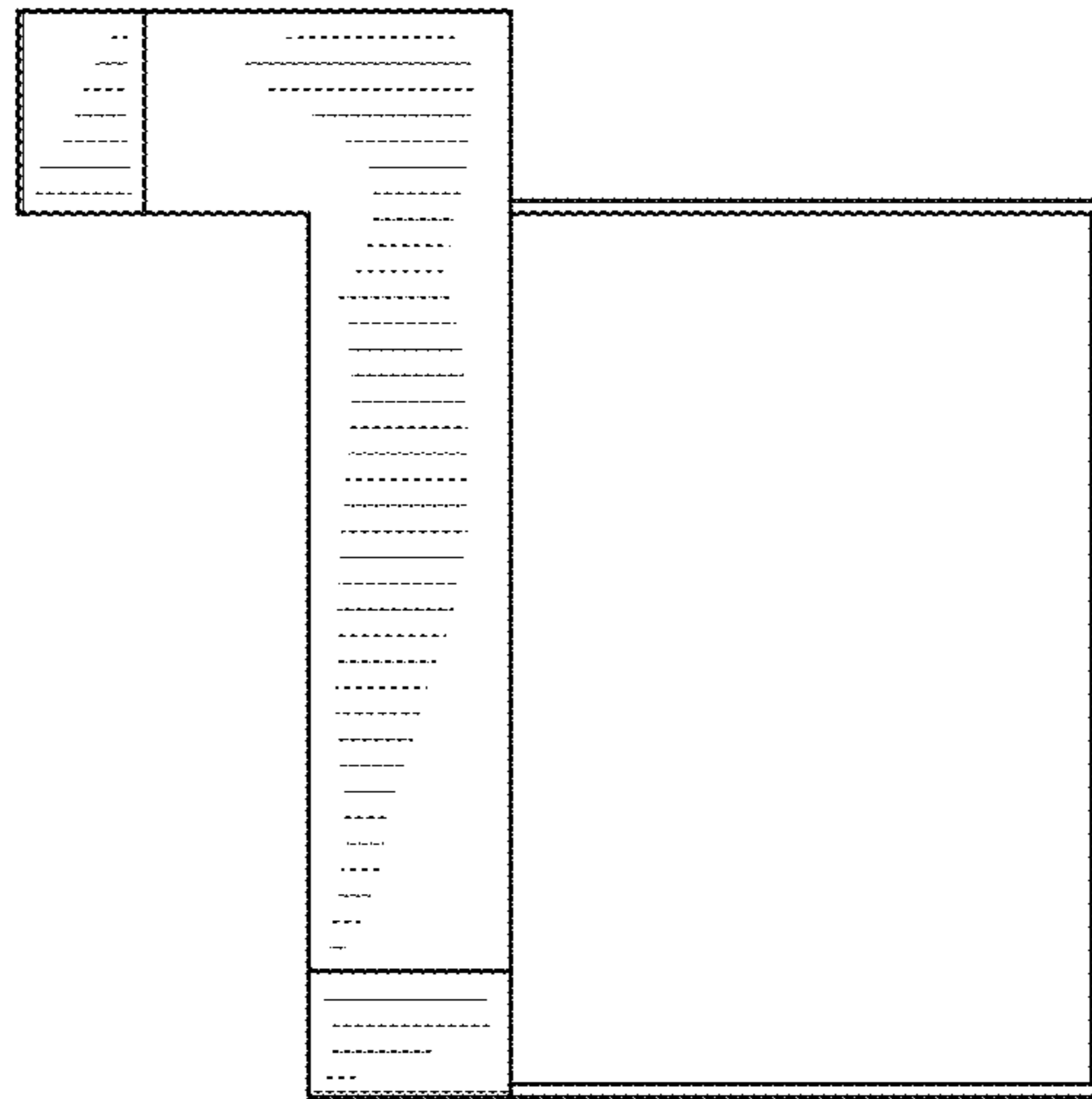


FIG. 6

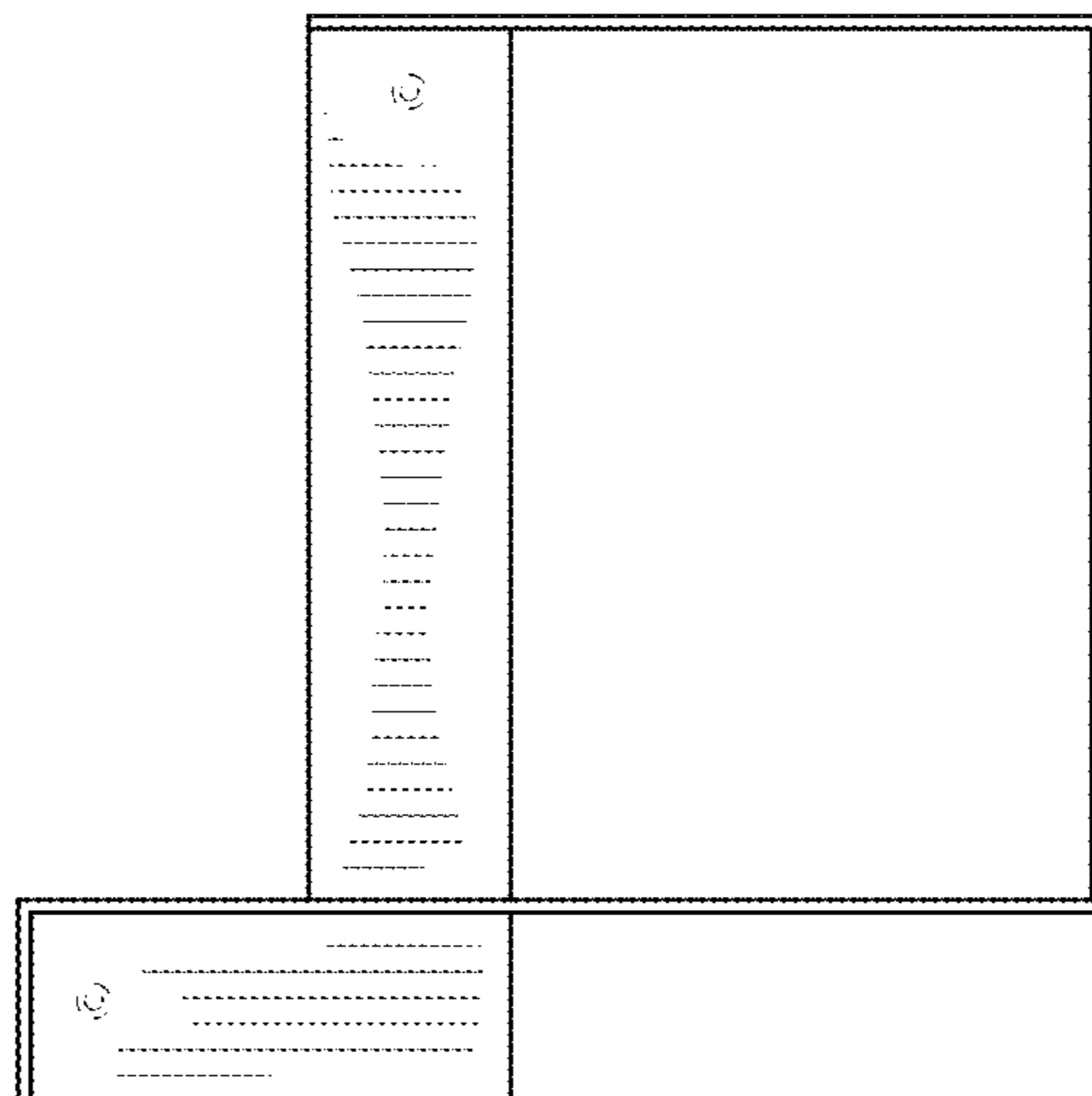


FIG. 7

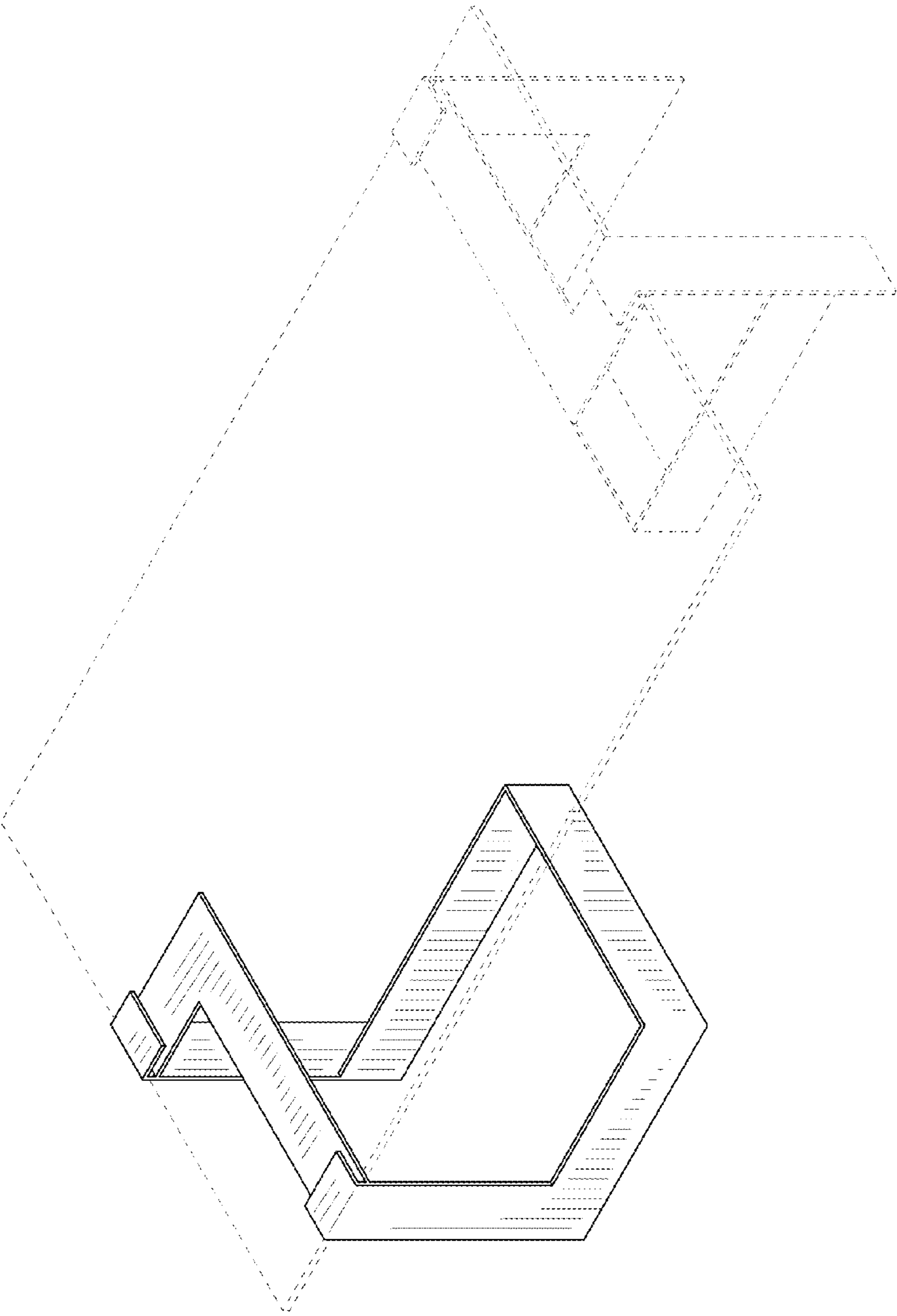


FIG. 8

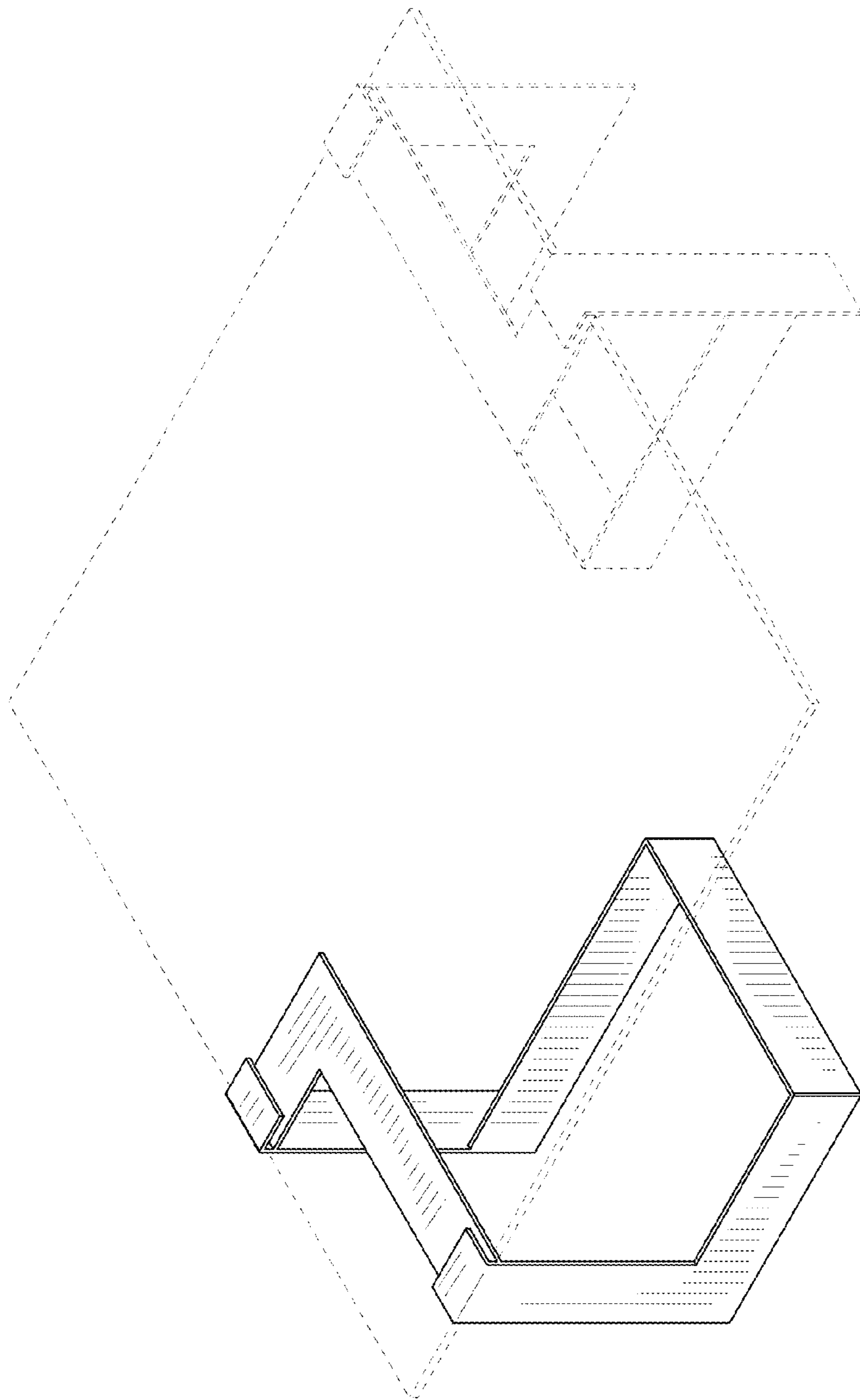


FIG. 9