

US00D746151S

(12) **United States Design Patent**  
**Currier**

(10) **Patent No.:** **US D746,151 S**

(45) **Date of Patent:** **\*\* Dec. 29, 2015**

(54) **HANGING CONTAINER**

(71) Applicant: **Jason A. Currier**, Portland, ME (US)

(72) Inventor: **Jason A. Currier**, Portland, ME (US)

(73) Assignee: **TALUS CORP**, Portland, ME (US)

(\*\*) Term: **14 Years**

(21) Appl. No.: **29/502,333**

(22) Filed: **Sep. 15, 2014**

(51) **LOC (10) Cl.** ..... **09-05**

(52) **U.S. Cl.**  
USPC ..... **D9/702**

(58) **Field of Classification Search**

USPC ..... D9/702-714, 426; D3/304; D6/525,  
D6/545; D7/554.2, 608, 601; 47/67;  
211/88.01, 88.03; 312/404; D19/75;  
229/406; D30/133; 119/51.01, 54.04;  
222/181.2; 220/675, 608, 669, 660;  
D32/53; 206/822, 203  
CPC ..... A01G 9/024; A01G 9/026; A01K 5/00  
See application file for complete search history.

(56) **References Cited**

**U.S. PATENT DOCUMENTS**

D128,124 S \* 7/1941 Melville ..... D7/708  
2,675,782 A \* 4/1954 Lage ..... 119/61.1  
D245,241 S \* 8/1977 Robinson ..... D11/155

D280,058 S \* 8/1985 Carlson ..... D7/629  
D589,728 S \* 4/2009 Shaha et al. .... D6/553  
D697,309 S \* 1/2014 Baldwin et al. .... D3/304  
D697,762 S \* 1/2014 Carlson ..... D7/602  
2007/0022963 A1 \* 2/2007 Jensen et al. .... 119/61.1

\* cited by examiner

*Primary Examiner* — Caron D Veynar

*Assistant Examiner* — Abraham Bahta

(57) **CLAIM**

The ornamental design for a hanging container, as shown and described.

**DESCRIPTION**

FIG. 1 is a front view of a hanging container according to our new design.

FIG. 2 is back view the hanging container as in FIG. 1.

FIG. 3 is a right side view of the hanging container as in FIGS. 1-2.

FIG. 4 is a left side view of the hanging container as in FIGS. 1-3.

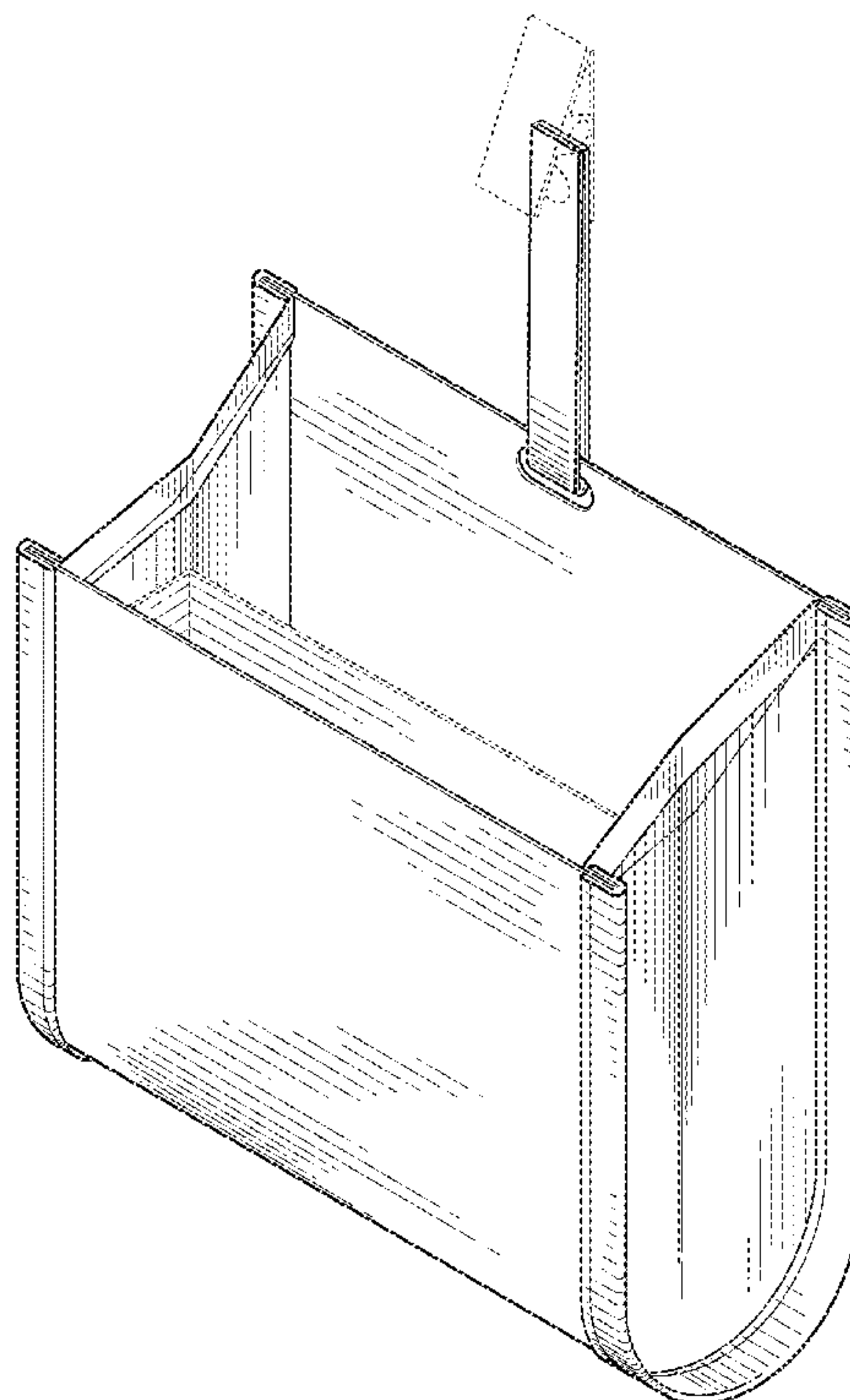
FIG. 5 is a top view of the hanging container as in FIGS. 1-4,

FIG. 6 is a bottom view of the hanging container as in FIGS. 1-5; and,

FIG. 7 is a perspective view of the hanging container as in FIGS. 1-6.

The showing of the broken lines illustrates the environment of the article of the hanging container and forms no part of the ornamental design.

**1 Claim, 7 Drawing Sheets**



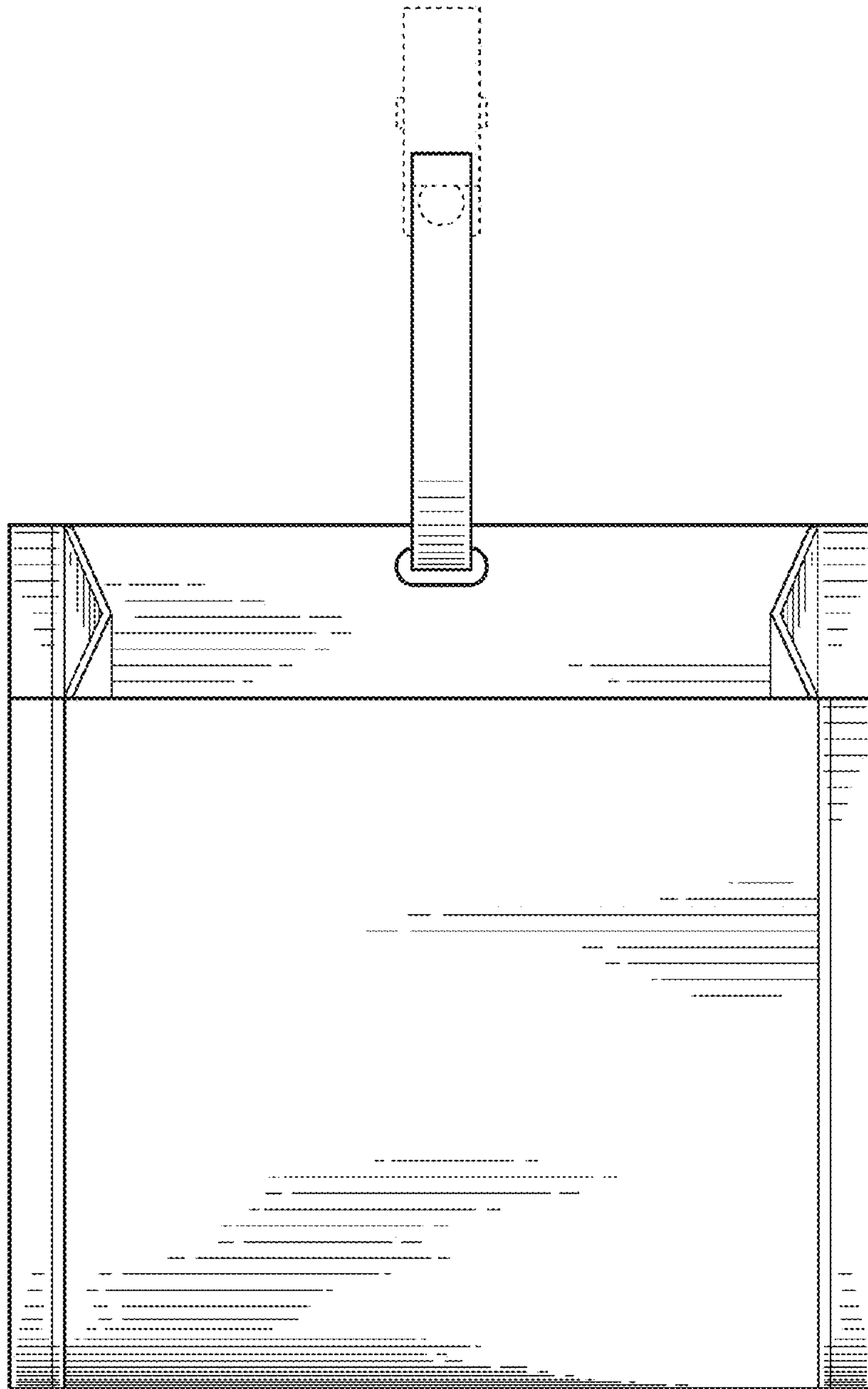


FIG. 1

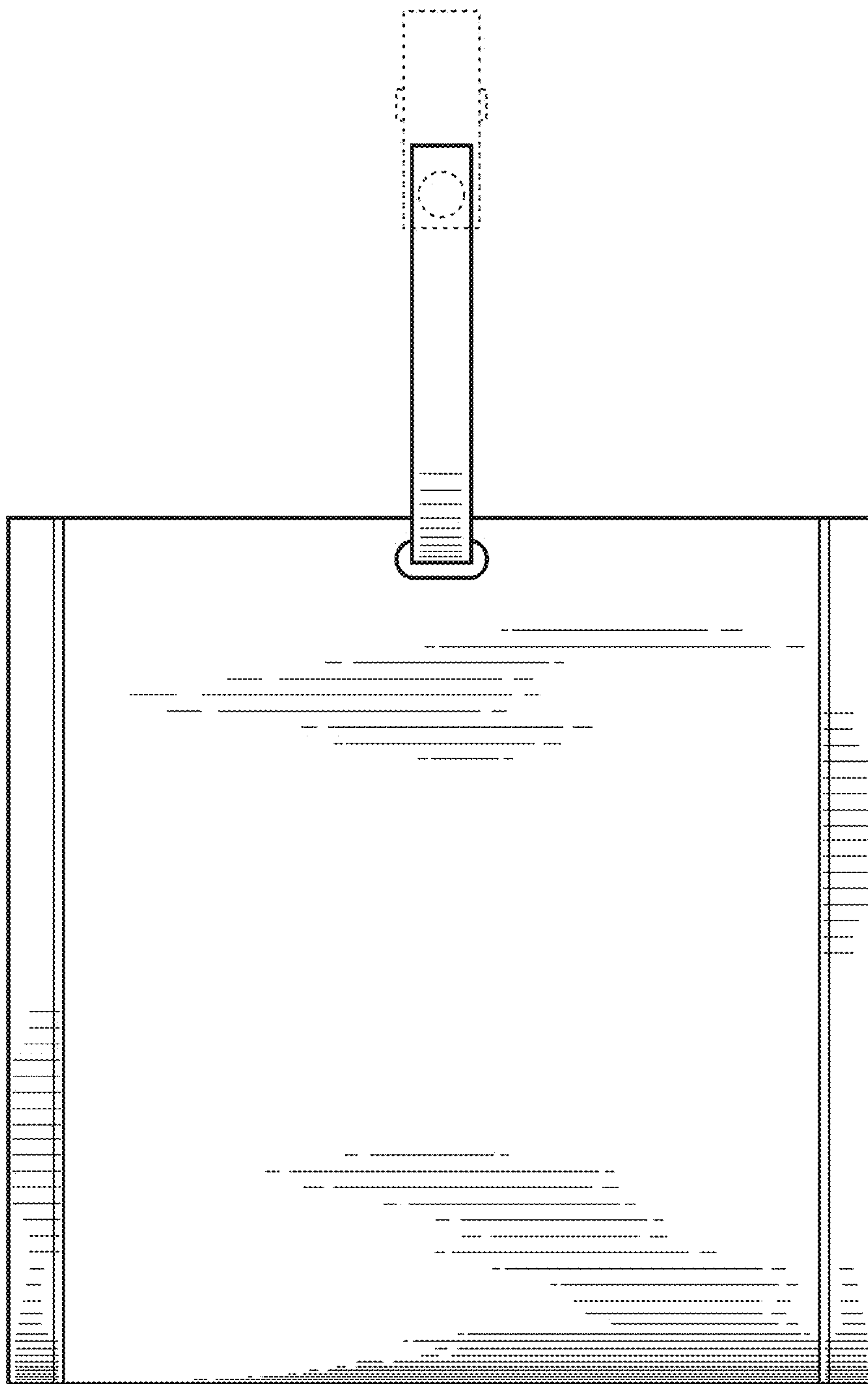


FIG. 2

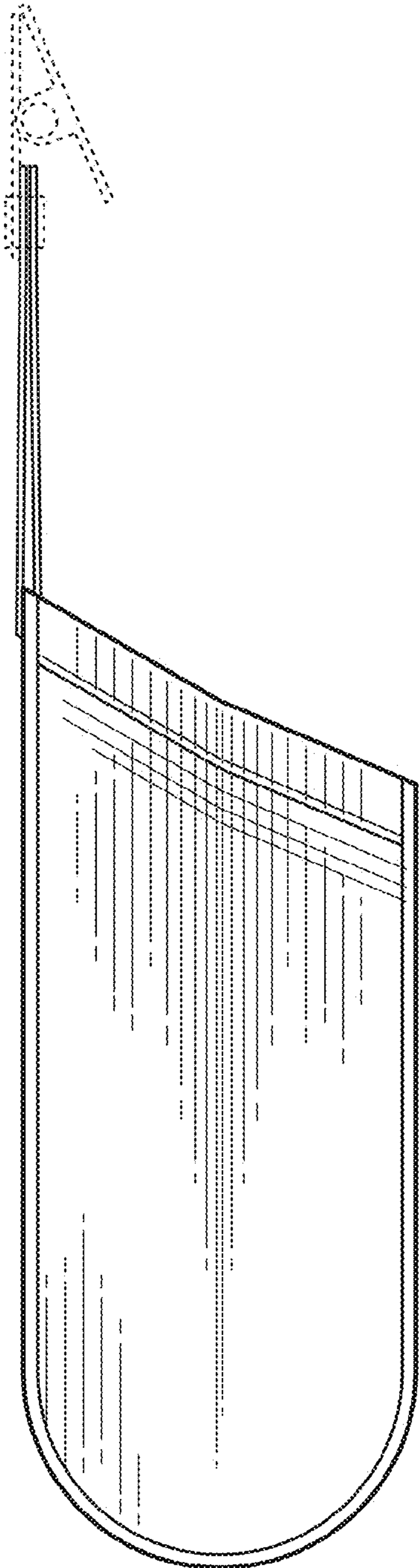


FIG. 3

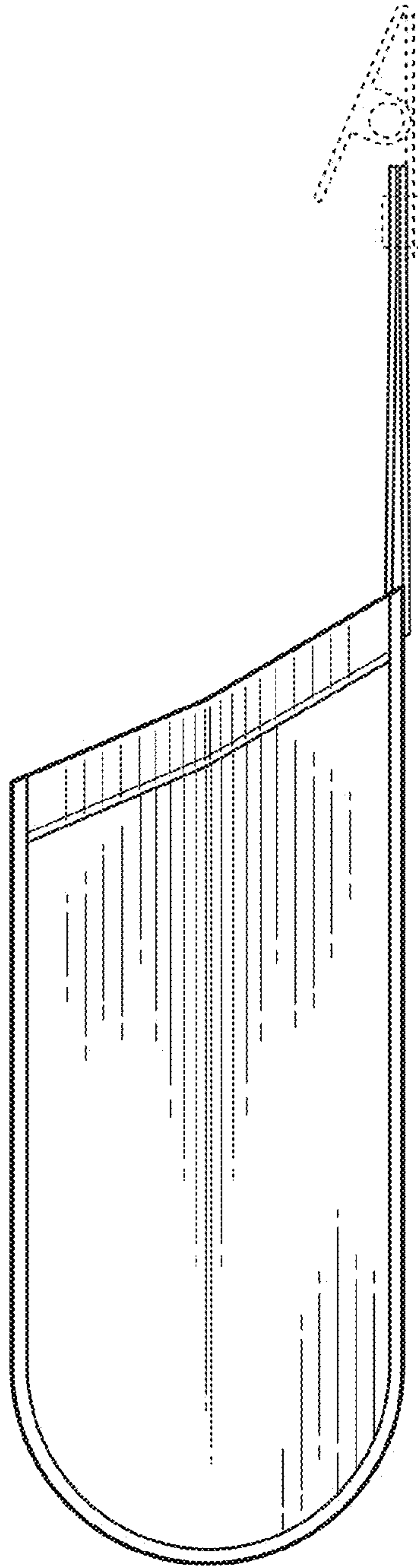


FIG. 4

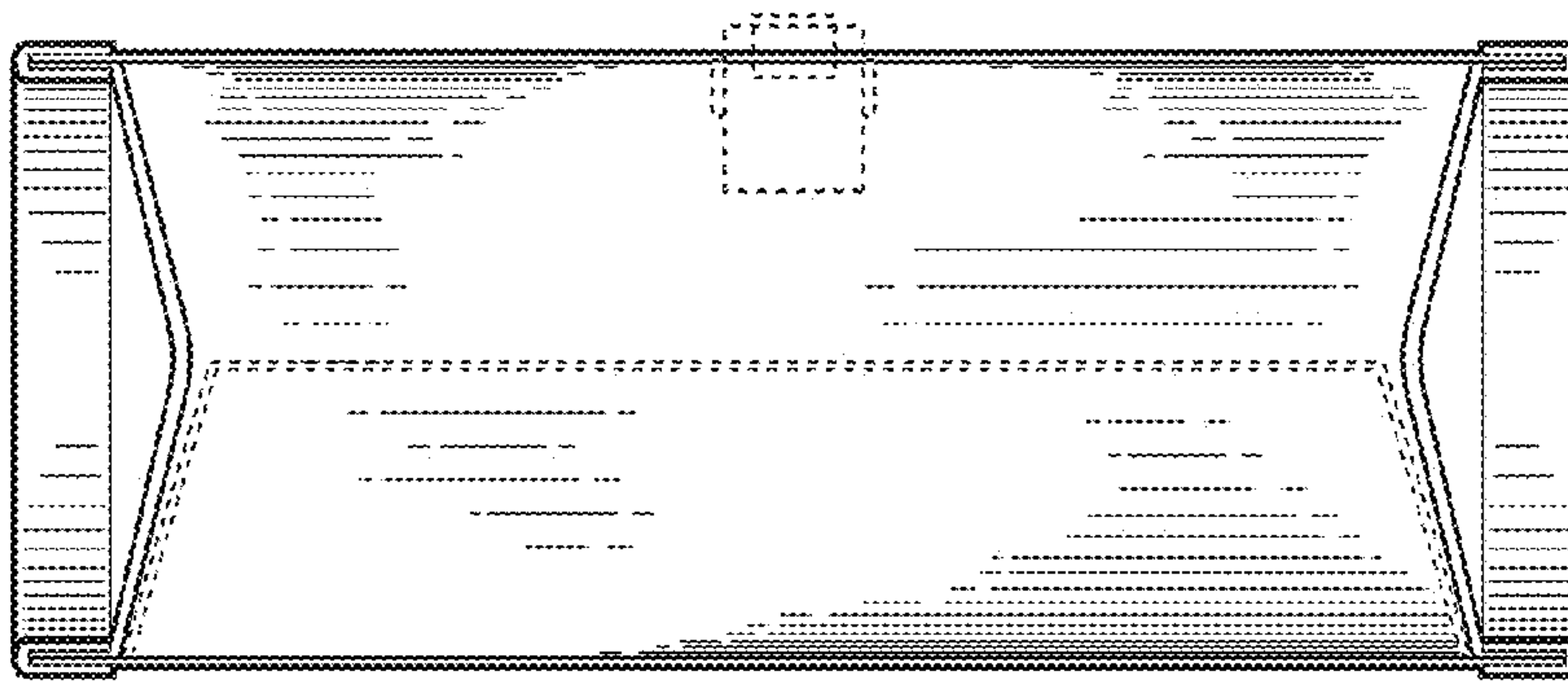


FIG. 5



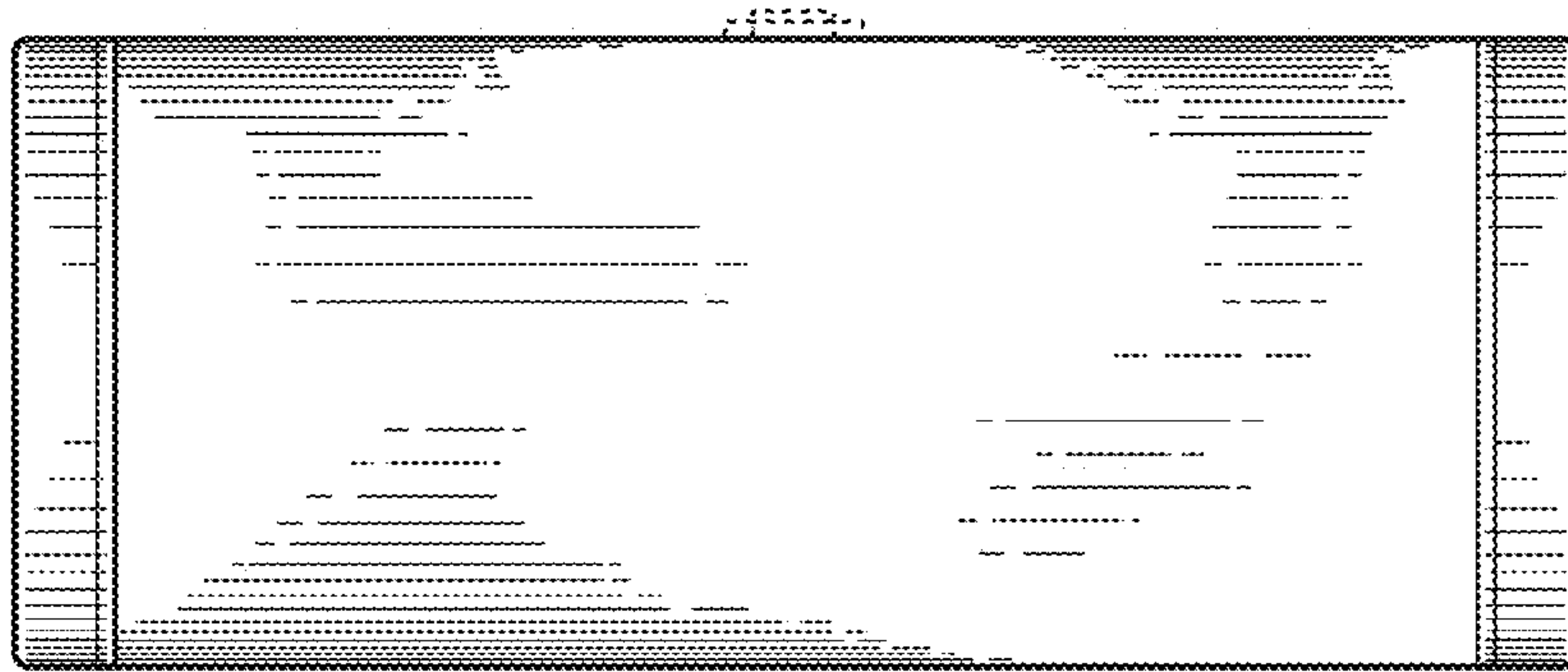


FIG. 6

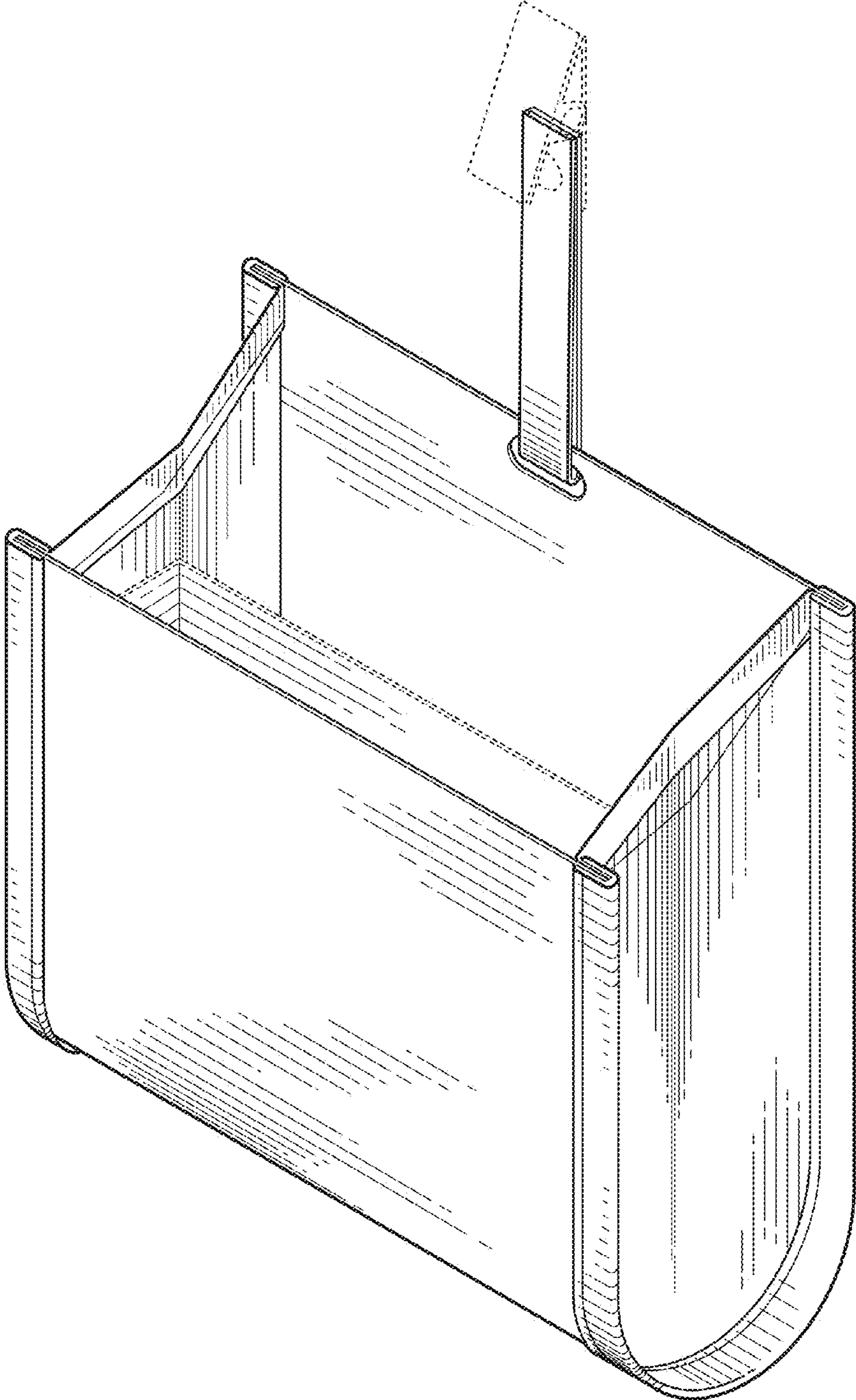


FIG. 7