



US00D746148S

(12) **United States Design Patent**
Flood

(10) **Patent No.:** **US D746,148 S**
(45) **Date of Patent:** **** Dec. 29, 2015**

(54) **BOTTLE**

(71) Applicant: **Berlin Packaging, LLC**, Chicago, IL (US)

(72) Inventor: **Nora Flood**, Chicago, IL (US)

(73) Assignee: **Berlin Packaging, LLC**, Chicago, IL (US)

(**) Term: **14 Years**

(21) Appl. No.: **29/496,447**

(22) Filed: **Jul. 14, 2014**

(51) **LOC (10) Cl.** **09-01**

(52) **U.S. Cl.**

USPC **D9/558**; D9/535; D9/550; D9/520

(58) **Field of Classification Search**

USPC D3/202, 203.2, 901; D4/116; D7/313, D7/509-511, 590-560, 601-612, 619.1; D9/519, 520, 522, 526, 535, 548, 550, D9/556, 558, 561, 651; D19/93; D23/211.1-211.2, 366; D24/121, 124, D24/197, 224; D28/4, 7, 20, 66, 76, 82, 83, D28/85, 88, 89, 91.1; D6/515, 518, 522, D6/523, 535, 541, 542; 222/182, 209, 252; 215/62.22, 220, 283-285, 329, 396, 215/398; 220/674, 710, 837; 426/115; 414/802

CPC A45D 33/003; A45D 33/22; A45D 34/00; A45D 40/30; A61J 1/03; A61J 1/05; A47G 19/22; A47G 19/2205; A47G 19/2266; B65D 1/02; B65D 1/0223; B65D 1/08; B65D 1/10

See application file for complete search history.

(56) **References Cited**

U.S. PATENT DOCUMENTS

D280,386 S * 9/1985 Dinand D9/574
D376,310 S * 12/1996 Crawford D9/550

D416,805 S * 11/1999 Mikla D9/542
D565,422 S * 4/2008 Cowan-Hughes D9/563
D582,580 S * 12/2008 Spangler D26/22
D601,026 S * 9/2009 Jost D9/522
D601,907 S * 10/2009 Gainey D9/539
D654,800 S * 2/2012 Geeraert D9/565
D670,169 S * 11/2012 Victorino D9/526
D694,114 S * 11/2013 Lecetre D9/564
D720,096 S * 12/2014 McDougall D28/66
D730,737 S * 6/2015 Bunce D9/550
D736,640 S * 8/2015 Ozamis D9/520

FOREIGN PATENT DOCUMENTS

GB 2065142 * 7/1997

* cited by examiner

Primary Examiner — Thomas Johannes

Assistant Examiner — Catherine Posthauer

(74) *Attorney, Agent, or Firm* — Adam K. Sacharoff; Much Shelist

(57) **CLAIM**

The ornamental design for a bottle, as shown and described.

DESCRIPTION

FIG. 1 is a front right perspective view showing the new design;

FIG. 2 is a back left perspective view of FIG. 1;

FIG. 3 is a bottom right perspective view of FIG. 1;

FIG. 4 is a bottom left perspective view of FIG. 1;

FIG. 5 is a front side view of FIG. 1;

FIG. 6 is a back side view of FIG. 1.

FIG. 7 is a right side view of FIG. 1;

FIG. 8 is a left side view of FIG. 1;

FIG. 9 is a top side view of FIG. 1; and,

FIG. 10 is a bottom side view of FIG. 1.

The broken lines on the drawings are shown for the purpose of illustrating portions of the bottle that form no part of the claimed design.

1 Claim, 10 Drawing Sheets

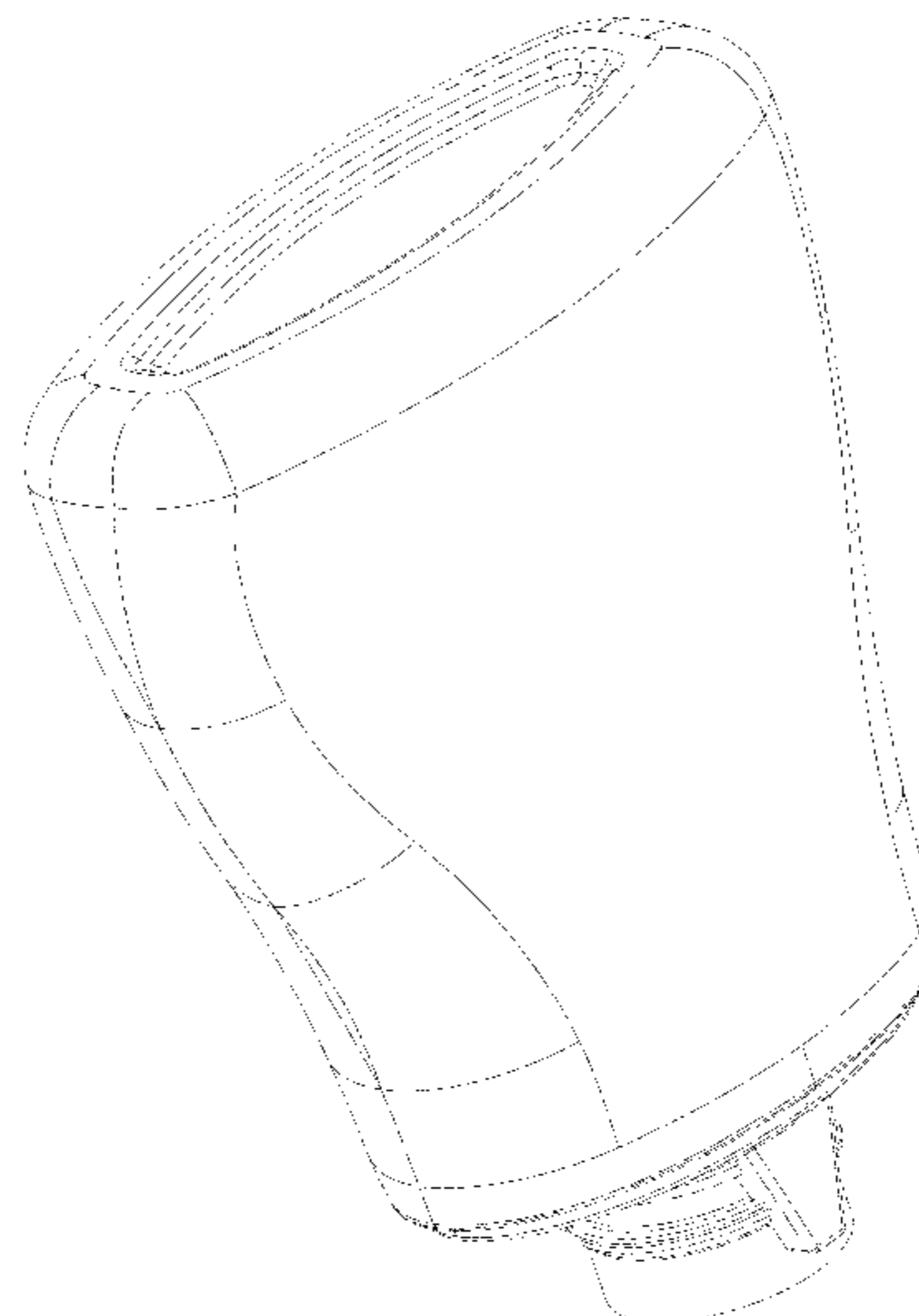
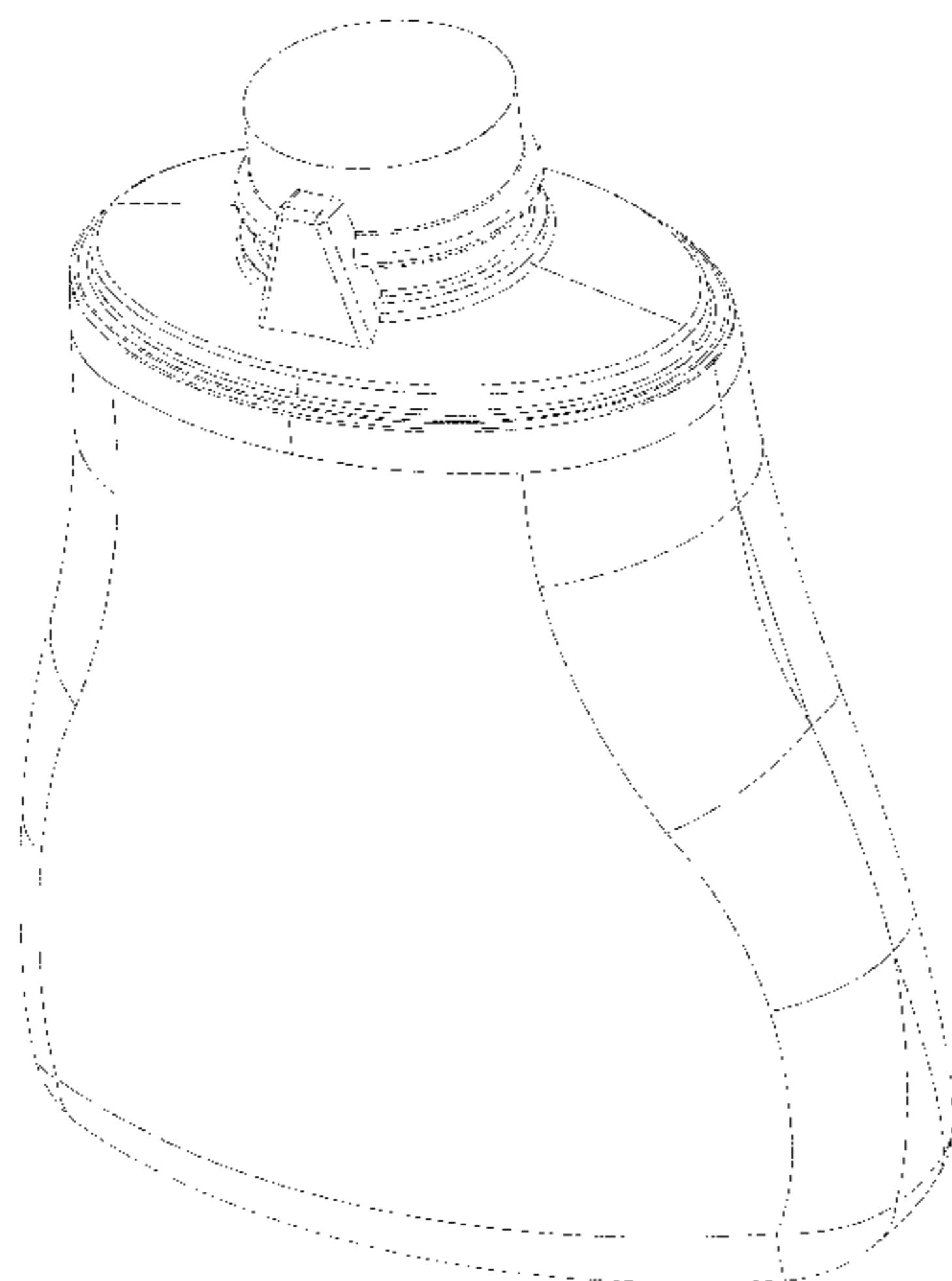


FIGURE 1

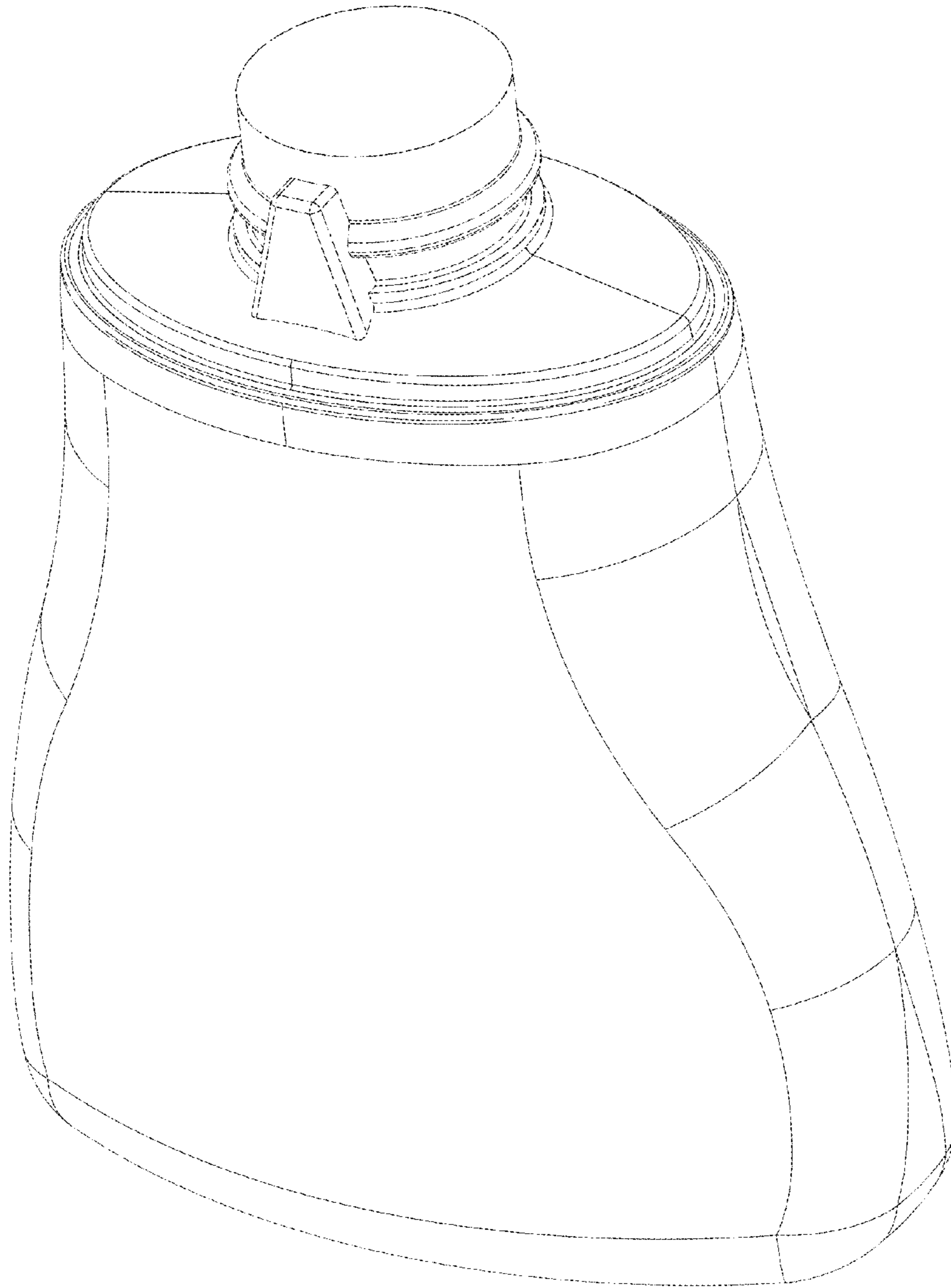


FIGURE 2

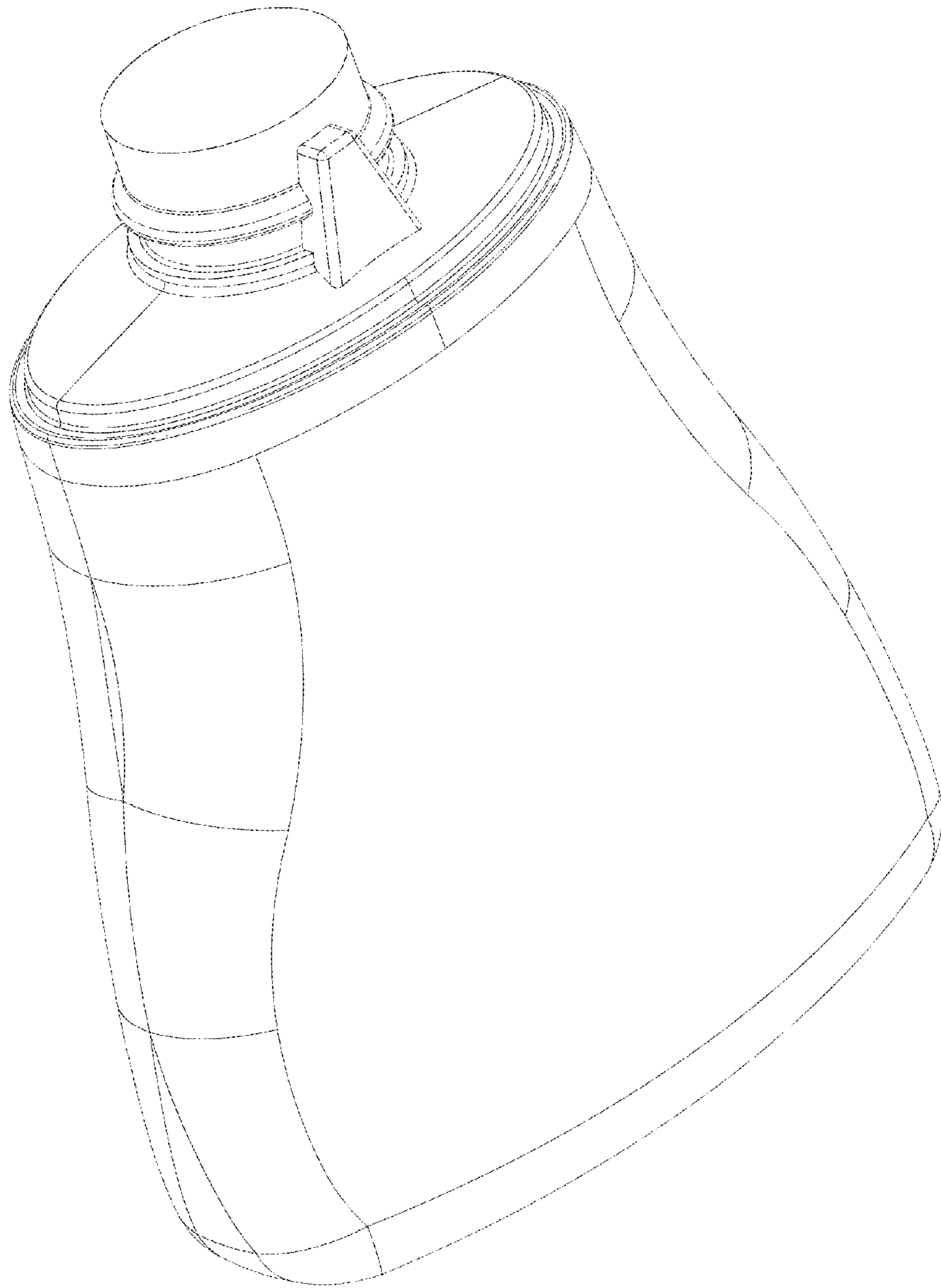


FIGURE 3

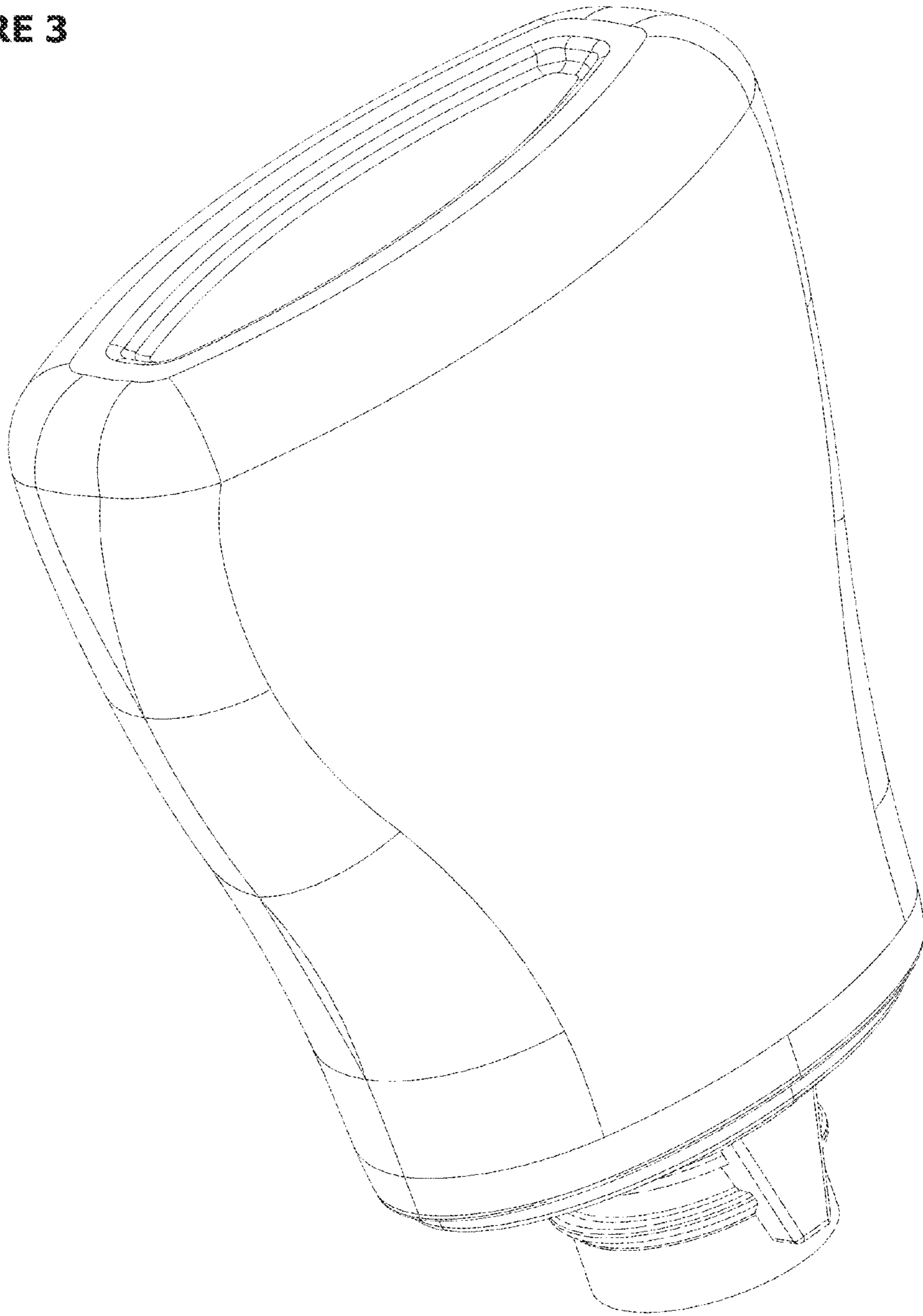


FIGURE 4

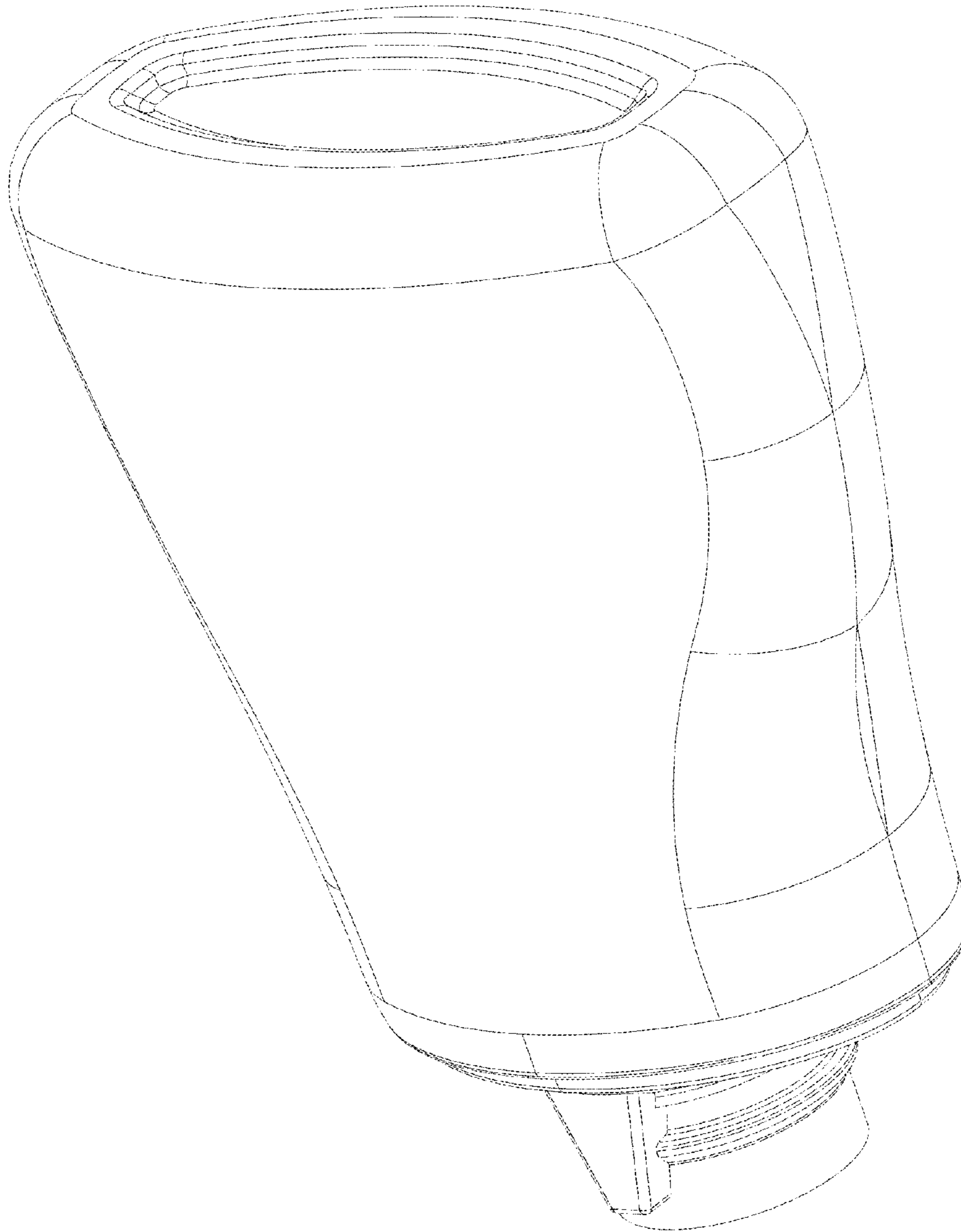


FIGURE 5

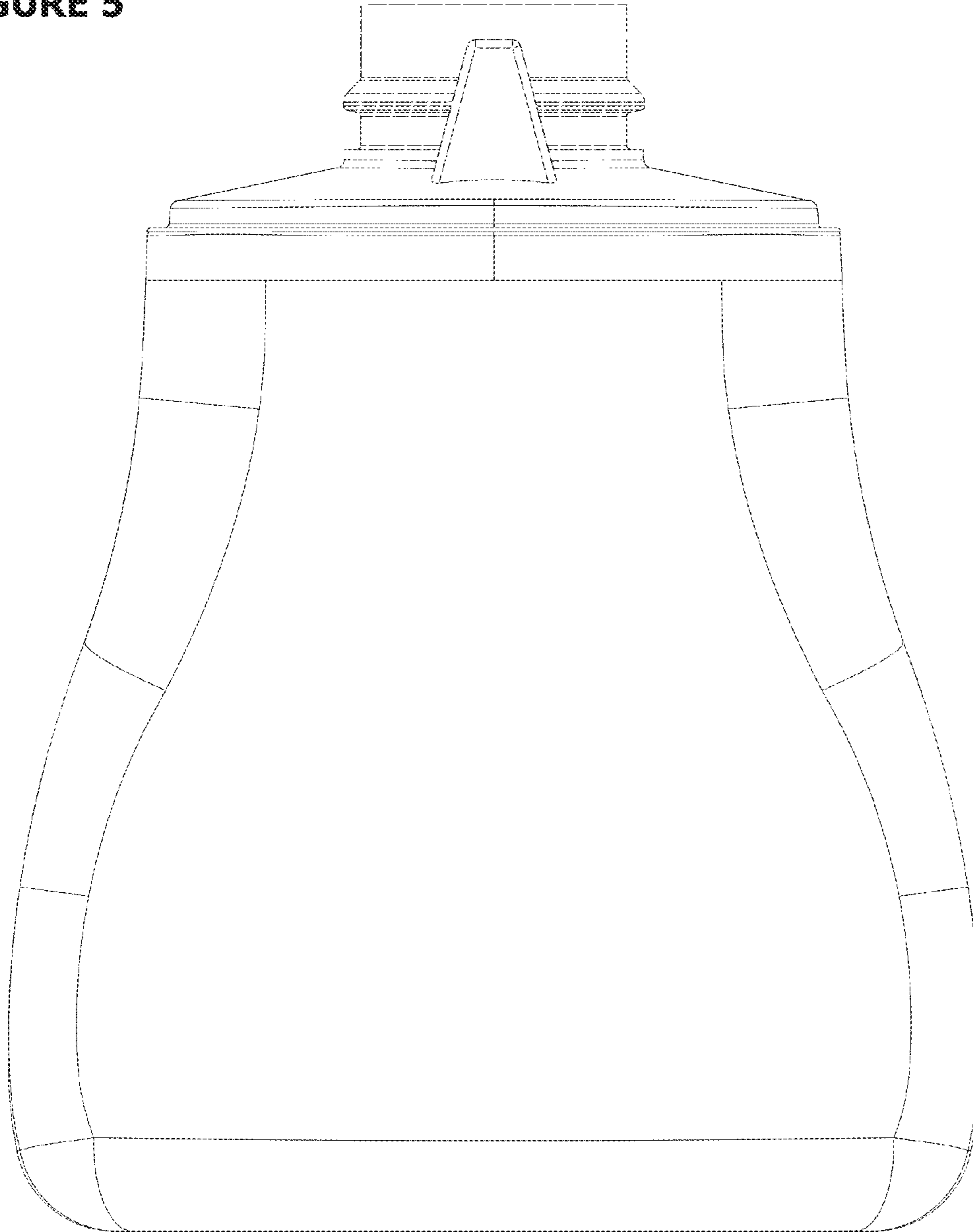


FIGURE 6

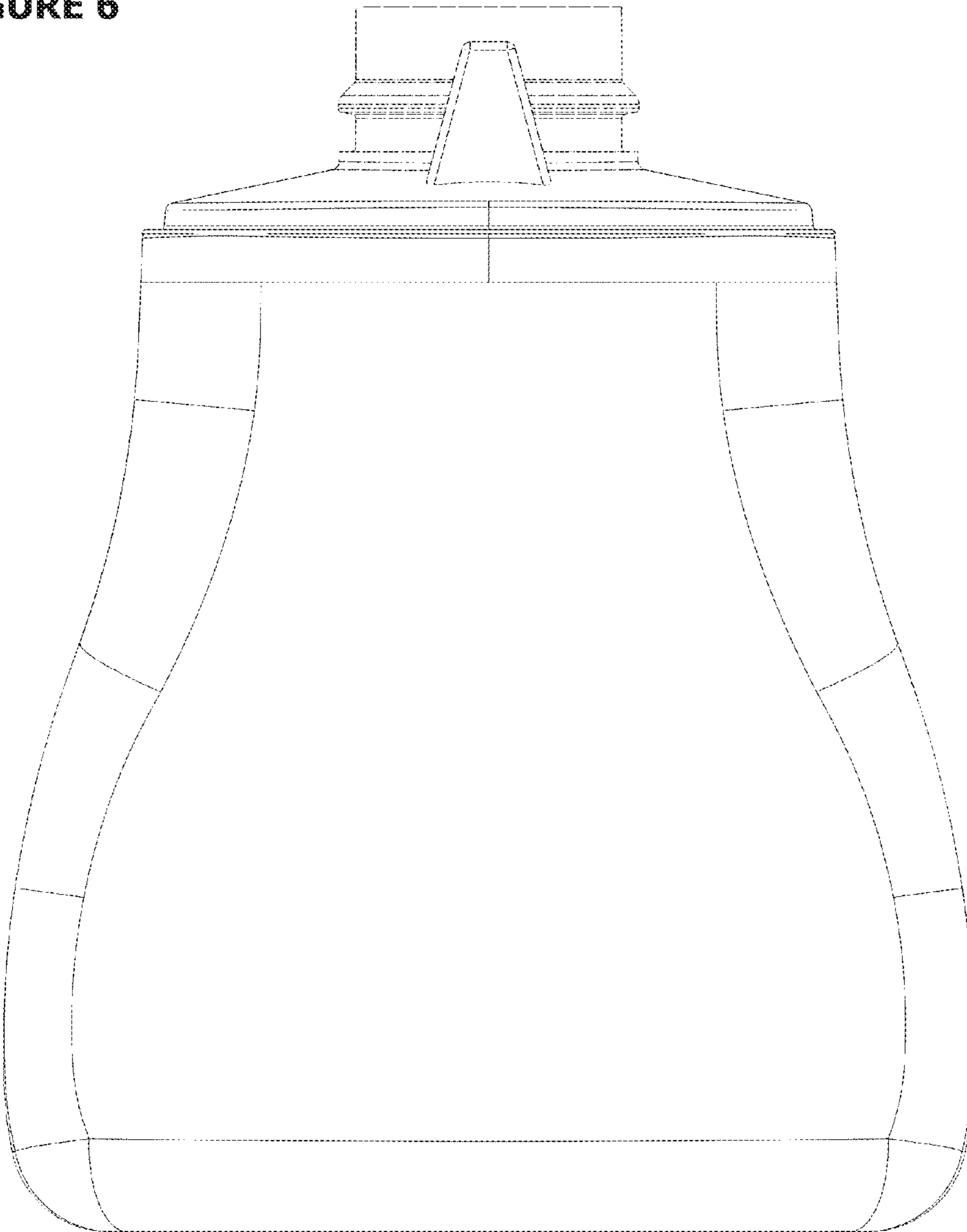


FIGURE 7

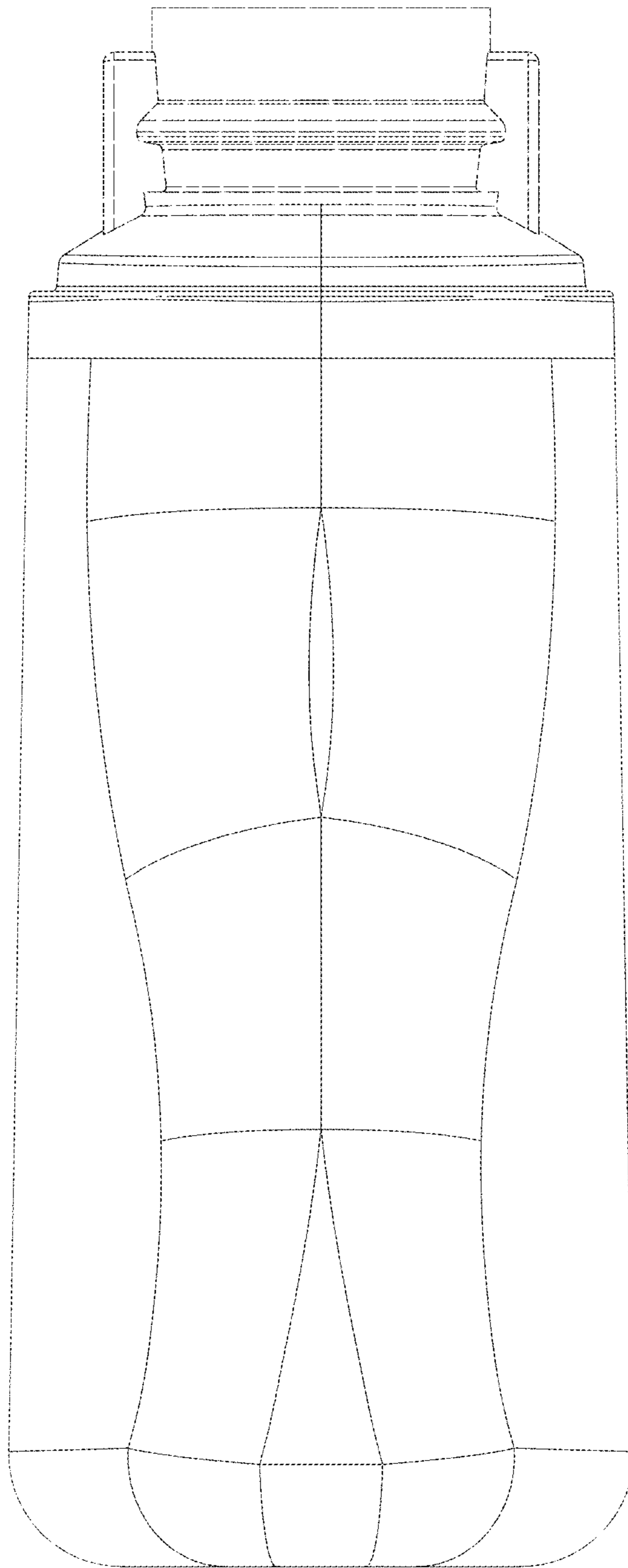


FIGURE 8

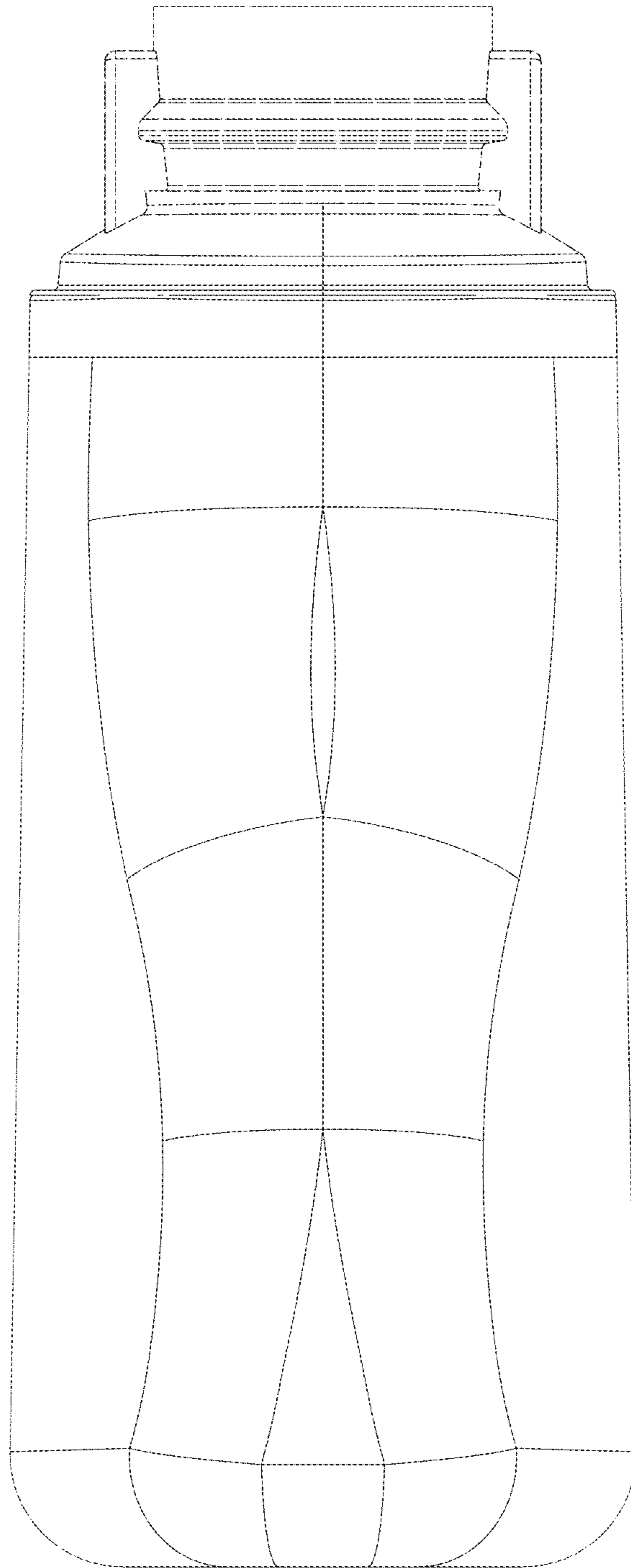


FIGURE 9

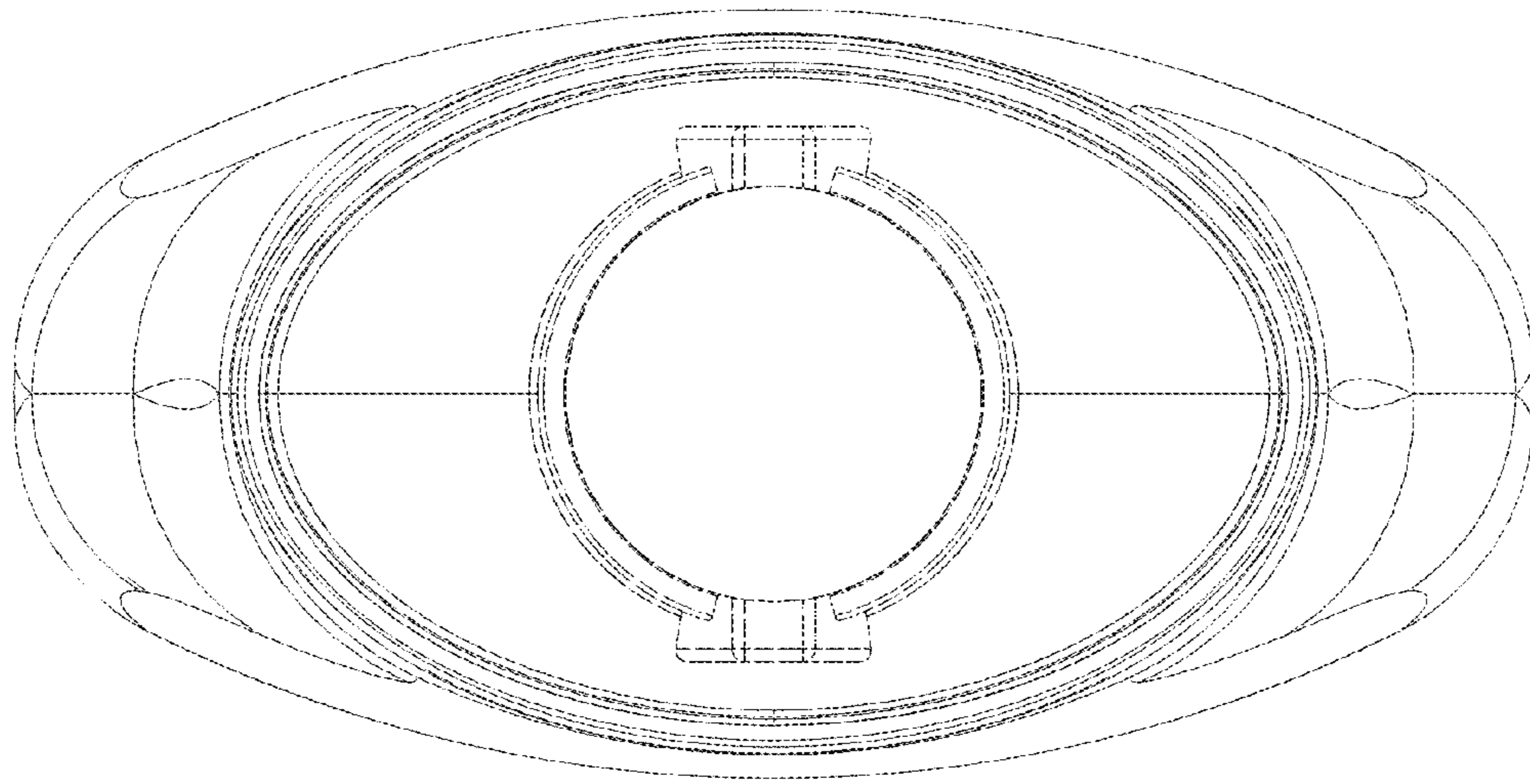


FIGURE 10

