



US00D746145S

(12) **United States Design Patent**
Kuzma et al.

(10) **Patent No.:** **US D746,145 S**
(45) **Date of Patent:** **** Dec. 29, 2015**

- (54) **BOTTLE**
- (71) Applicant: **GK Packaging, Inc.**, Plain City, OH (US)
- (72) Inventors: **Gene J. Kuzma**, Powell, OH (US);
Tristan O. Herstol, Dublin, OH (US)
- (73) Assignee: **GK PACKAGING, INC.**, Plain City, OH (US)
- (**) Term: **14 Years**
- (21) Appl. No.: **29/510,887**
- (22) Filed: **Dec. 4, 2014**
- (51) **LOC (10) Cl.** **09-01**
- (52) **U.S. Cl.**
USPC **D9/541; D9/542; D9/550; D9/551;**
D9/557; D9/558; D9/571; D9/452
- (58) **Field of Classification Search**
USPC **D9/516-575**
CPC **B65D 1/02; B65D 1/0207; B65D 1/0223;**
B65D 1/40; B65D 1/42; B65D 1/44; B65D
23/00; B65D 23/102; B65D 2203/00; B65D
2501/0009; B65D 2501/0018; B65D
2501/0045; B65D 2501/0081; B65D
2501/0036
See application file for complete search history.

- D73,530 S 9/1927 Lyons
- D75,448 S 6/1928 Root
- D81,422 S 6/1930 Thomas
- D97,176 S 10/1935 Chernow
- D97,178 S 10/1935 Clevenger
- D101,919 S 11/1936 Leach
- D104,546 S 5/1937 Topping
- D106,370 S 10/1937 Pancoast
- D106,628 S 10/1937 Leach, Jr.
- D116,236 S 8/1939 Love
- D143,421 S 1/1946 Gasner
- D149,618 S 5/1948 D'Addario
- D163,063 S 4/1951 Perkins, Jr.
- D163,426 S * 5/1951 Smurr D9/557
- 2,586,687 A 2/1952 Mellon
- D176,226 S 11/1955 Morris
- D189,460 S 12/1960 Richter
- D192,535 S 4/1962 Laudano
- D193,311 S 7/1962 Buckley
- D194,440 S * 1/1963 Roberts D9/542
- D195,230 S 5/1963 Dubbs

(Continued)

Primary Examiner — Catherine Tuttle
(74) *Attorney, Agent, or Firm* — Michael J. Gallagher;
David J. Dawsey; Gallagher & Dawsey Co., LPA

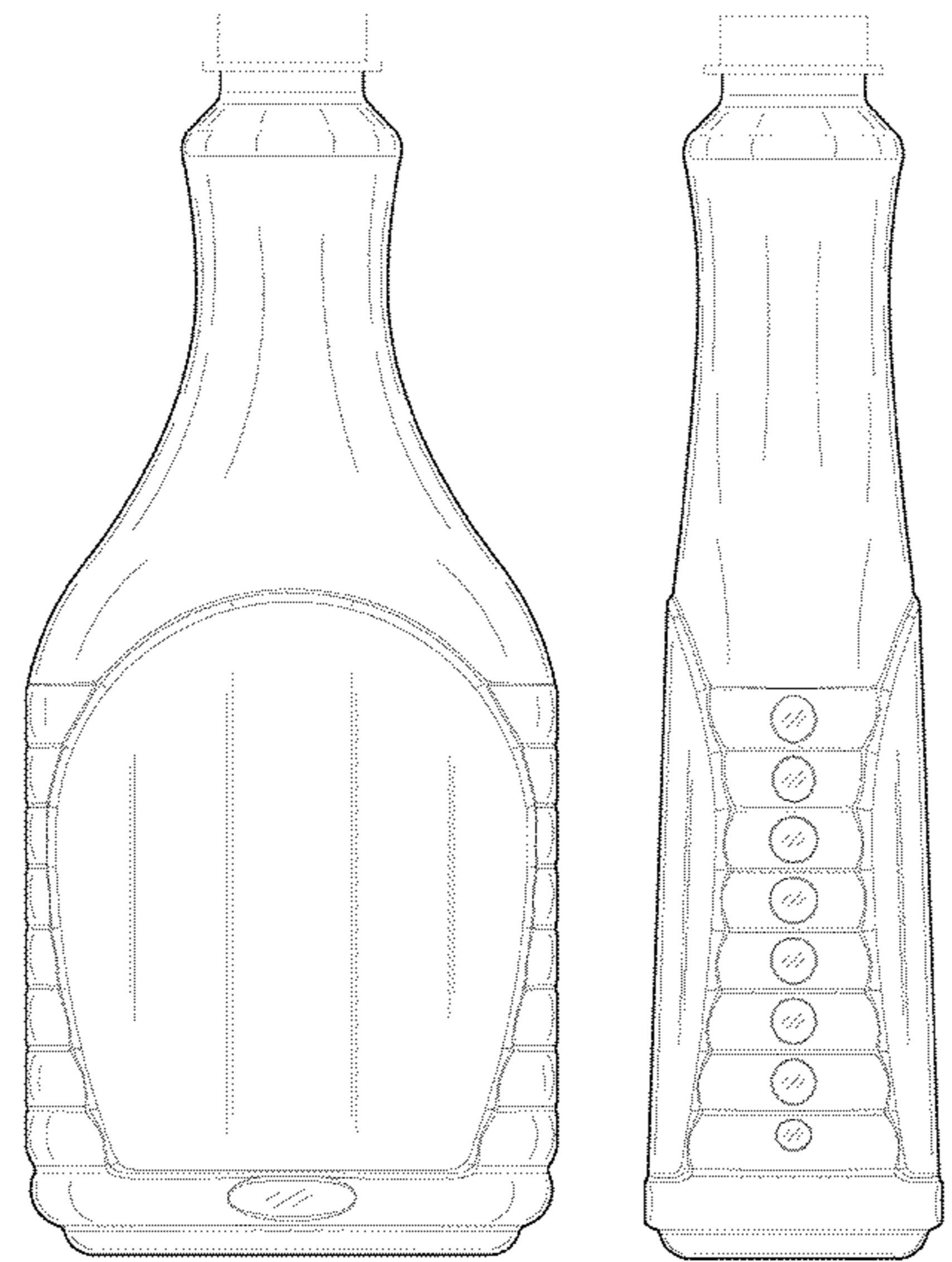
(57) **CLAIM**
The ornamental design for a bottle, as shown and described.

DESCRIPTION

FIG. 1 is a perspective view of a bottle showing our new design;
FIG. 2 is front elevation view thereof;
FIG. 3 a left side elevation view thereof;
FIG. 4 is a rear elevation view thereof;
FIG. 5 is a right side elevation view thereof;
FIG. 6 is a top plan view thereof; and,
FIG. 7 is a bottom plan view thereof.
The broken lines are included for the purpose of illustrating the portions of the bottle that form no part of the claimed design.

1 Claim, 4 Drawing Sheets

- (56) **References Cited**
U.S. PATENT DOCUMENTS
- D21,382 S 3/1892 Hannold
- D25,023 S 12/1895 Rankine
- D28,182 S 1/1898 Whittall
- D37,819 S 2/1906 Bradley
- 882,864 A 3/1908 Burke
- D52,472 S 9/1918 Corey
- D94,189 S 1/1925 Cassidy
- D66,788 S * 3/1925 Curran D9/551
- D72,957 S 6/1927 Mas



(56)

References Cited

U.S. PATENT DOCUMENTS

D196,990 S	11/1963	Dubbs	D328,420 S	8/1992	Miller
D198,405 S	6/1964	Recknagel	D332,392 S	1/1993	Foster et al.
D198,407 S	6/1964	Busch	D334,343 S	3/1993	Leslie et al.
3,147,876 A	9/1964	Lepore	D336,246 S	6/1993	Narvaez
D201,997 S	8/1965	Luedtke	D346,964 S	5/1994	Green
D204,707 S	5/1966	Abbott	D347,388 S	5/1994	Crawford
3,258,288 A	6/1966	Courter	D347,389 S	5/1994	Crawford
D206,193 S *	11/1966	Gooding D9/542	D347,794 S	6/1994	Lewis
3,342,379 A	9/1967	Foley	D348,606 S	7/1994	Edstrom
D209,097 S	10/1967	Stehl	D349,857 S	8/1994	Lonczak et al.
D211,509 S	6/1968	Vanderhyde	D350,691 S	9/1994	Simion
D212,276 S	9/1968	Lodding	D352,462 S	11/1994	Rupert
D213,355 S	2/1969	Kneapler	D353,775 S	12/1994	Thompson
D213,421 S	3/1969	Leary	5,392,937 A	2/1995	Prevot et al.
D214,554 S	7/1969	Ottman et al.	D356,038 S	3/1995	Biesecker
3,499,567 A	3/1970	Spotts	D356,264 S	3/1995	Praturlon et al.
D217,439 S	5/1970	Platte	D357,418 S	4/1995	Lonczak et al.
3,511,403 A	5/1970	Braun	D360,831 S	8/1995	Boisset
D219,366 S	12/1970	Lewis, Jr. et al.	D362,626 S *	9/1995	Rossi D9/529
D222,530 S	11/1971	Luedtke	5,480,204 A	1/1996	Erickson
D225,834 S	1/1973	Kneapler	D368,859 S	4/1996	LoPreto
D226,303 S	2/1973	Kretz	D369,980 S	5/1996	Dinand
D227,344 S	6/1973	Lerner	D370,849 S	6/1996	Asante
D234,077 S	1/1975	Peterson	D372,873 S	8/1996	Lathrop et al.
D234,493 S	3/1975	Schweizer	5,542,585 A	8/1996	Peters et al.
D234,682 S	4/1975	Quintal	D373,536 S	9/1996	Kokenge et al.
3,874,562 A	4/1975	Hazard	D375,051 S	10/1996	Lathrop et al.
D238,555 S	1/1976	Blank	D376,310 S	12/1996	Crawford
D240,592 S	7/1976	Koenigsberg	D377,755 S	2/1997	Kotyuk et al.
4,007,848 A	2/1977	Snyder	5,598,941 A	2/1997	Semersky et al.
D244,349 S *	5/1977	Frohling D9/652	D378,665 S	4/1997	Fenton et al.
D246,953 S	1/1978	Britt	D380,681 S	7/1997	De Souza et al.
D247,221 S	2/1978	Landor et al.	D381,895 S	8/1997	Cheng
D248,088 S	6/1978	Britt	D382,209 S	8/1997	Fenton et al.
D250,320 S *	11/1978	Frohling D9/563	5,676,270 A	10/1997	Roberts
D250,321 S *	11/1978	Frohling D9/621	D386,090 S	11/1997	de Giovellina
D250,393 S	11/1978	Shortino	D392,895 S	3/1998	Kuzma et al.
D254,651 S	4/1980	Shortino	D392,897 S	3/1998	Biesecker et al.
D254,652 S	4/1980	Shortino	5,722,545 A	3/1998	Rinne
D254,711 S	4/1980	Shortino	D393,202 S	4/1998	Bertolini et al.
D254,713 S	4/1980	Shortino	D393,596 S	4/1998	Kotyuk
D255,543 S	6/1980	Shortino	D396,191 S	7/1998	Kuzma et al.
D255,652 S	7/1980	Kretz	D397,608 S	9/1998	Fiore
D256,555 S	8/1980	Beeman	D398,239 S	9/1998	Bertolini et al.
D257,504 S	11/1980	Weckman	D398,244 S	9/1998	Bertolini et al.
D258,117 S	2/1981	Bashour	D398,853 S	9/1998	Phillips
D259,542 S	6/1981	Shortino	5,816,451 A	10/1998	Renault
D261,107 S	10/1981	Harris	D403,592 S	1/1999	Everard et al.
D263,281 S	3/1982	Smith	D405,355 S	2/1999	Wawzonek
D266,990 S	11/1982	Cook	D408,740 S	4/1999	Jones et al.
D268,647 S	4/1983	Kingsford	D409,091 S	5/1999	Beaver et al.
D272,889 S	3/1984	Walton	D409,092 S	5/1999	Beasley
D273,564 S	4/1984	Spielhoff	D411,457 S	6/1999	Ruda et al.
D281,863 S	12/1985	Beechuk et al.	D411,804 S	7/1999	Zaragoza
4,564,106 A	1/1986	Shilcock	D412,851 S	8/1999	Nosella
D287,227 S	12/1986	Turnbull	D413,807 S	9/1999	Mikla
D287,823 S	1/1987	Rosenwinkel	D414,417 S	9/1999	Alt
D288,905 S	3/1987	Platte, Sr.	5,954,213 A	9/1999	Gerhart et al.
D291,778 S	9/1987	Rosenwinkel	D415,037 S	10/1999	Pritchard et al.
D297,089 S	8/1988	West	D417,624 S	12/1999	Herrmann et al.
D302,385 S	7/1989	Weiler	D419,887 S	2/2000	Dugan
D306,695 S	3/1990	Smith	D419,889 S	2/2000	Kuzma et al.
D308,337 S	6/1990	Weckman	D420,594 S	2/2000	Weinstein et al.
D310,169 S	8/1990	Kowollik et al.	D422,506 S	4/2000	Cummings
D310,329 S	9/1990	Schmidt	D423,370 S	4/2000	Lewin
D310,964 S	10/1990	Weckman	D424,448 S	5/2000	Weber
D312,779 S	12/1990	Taconelli	D425,408 S	5/2000	Bakic
D317,259 S	6/1991	Schmidt	D425,429 S	5/2000	Weber
D321,131 S	10/1991	Wiseman et al.	D425,431 S	5/2000	Omidian
D321,322 S	11/1991	Fuchs	D427,073 S	6/2000	Gaffney et al.
D322,936 S	1/1992	Maginnis, Jr.	D427,914 S	7/2000	Croft et al.
D322,937 S	1/1992	Dinand	D428,342 S	7/2000	Stoller
D324,820 S	3/1992	Hayman et al.	D428,343 S	7/2000	Waitzenegger
D324,821 S	3/1992	Solomon	D428,578 S	7/2000	Waitzenegger
D324,998 S	3/1992	Klapwald	D429,159 S	8/2000	Feen
			D429,649 S	8/2000	Kotyuk
			D432,920 S	10/2000	Johnson et al.
			D433,637 S	11/2000	Hailey et al.
			D433,947 S	11/2000	Ewing, Jr.

(56)

References Cited

U.S. PATENT DOCUMENTS

D433,948 S	11/2000	Stoller	D515,430 S	2/2006	Venkataraman et al.
D437,559 S	2/2001	Fenton et al.	D521,386 S	5/2006	Priestman
D437,775 S	2/2001	Dalmau	D522,867 S	6/2006	Bakic
D438,118 S	2/2001	Dalmau	D523,756 S	6/2006	Considine et al.
D439,518 S	3/2001	Gavin	D524,657 S	7/2006	Harris et al.
D439,843 S	4/2001	Dalmau	D525,872 S	8/2006	Haubert et al.
D441,293 S	5/2001	Togasawa	D525,873 S	8/2006	Haubert et al.
D443,825 S	6/2001	Goettner	D526,200 S	8/2006	Bakic
D444,389 S	7/2001	Bakic	D526,204 S	8/2006	Stolle
D444,390 S	7/2001	Kokenge et al.	D526,569 S	8/2006	Wurster
D444,708 S	7/2001	Cummings	D527,636 S	9/2006	Bakic
D446,128 S	8/2001	Adee et al.	7,108,128 B2	9/2006	Borg
D446,459 S	8/2001	Weber	D529,388 S	10/2006	Bakic
D447,694 S	9/2001	Leggett	D529,810 S	10/2006	Davies et al.
D447,696 S *	9/2001	Weber D9/531	D529,814 S	10/2006	Winkler et al.
D448,677 S	10/2001	Krich	D535,887 S	1/2007	Haubert, III et al.
D448,678 S	10/2001	Bakic	D535,888 S	1/2007	Kuzma et al.
D448,999 S	10/2001	Weber	D535,891 S	1/2007	Varlet
D449,539 S *	10/2001	Lakatosh D9/530	D536,619 S	2/2007	Heisner
D450,247 S	11/2001	Johnson et al.	D538,678 S	3/2007	Cummings et al.
D450,597 S	11/2001	Bobchenok et al.	D540,185 S	4/2007	Cummings et al.
6,321,923 B1	11/2001	Wood	D541,162 S	4/2007	Pleines et al.
D452,157 S	12/2001	White et al.	D542,661 S	5/2007	Adler et al.
D452,446 S	12/2001	Shear	D547,190 S	7/2007	Kuzma et al.
6,334,531 B1	1/2002	Valkovich	D548,530 S	8/2007	Dien
D455,648 S	4/2002	Cummings	D551,555 S	9/2007	Escobosa et al.
D455,655 S	4/2002	Bunce	D553,001 S	10/2007	Granitz
D457,069 S	5/2002	Palaia	D555,500 S	11/2007	Johnston et al.
D458,149 S	6/2002	Cummings	D556,056 S	11/2007	Thomas et al.
D458,847 S	6/2002	Kuzma et al.	D557,140 S	12/2007	Voight et al.
D459,212 S	6/2002	Gobe	D558,575 S	1/2008	Van Der Krogt et al.
D459,659 S	7/2002	Chung	D558,580 S	1/2008	Kuzma et al.
D459,996 S	7/2002	Kuzma et al.	D559,109 S	1/2008	Feen
D463,747 S	10/2002	Peon et al.	D559,114 S	1/2008	Breitlander
D464,874 S	10/2002	Tune et al.	D562,139 S	2/2008	Crabtree et al.
D468,214 S	1/2003	Kuzma et al.	D562,140 S	2/2008	Crabtree et al.
D468,643 S	1/2003	Kuzma et al.	D563,227 S	3/2008	Feen
D468,644 S	1/2003	Kuzma et al.	D563,793 S	3/2008	Nomoto
D469,022 S	1/2003	Kuzma et al.	D563,798 S	3/2008	Gibson et al.
D469,214 S	1/2003	Balko	D567,662 S	4/2008	Feen et al.
D470,772 S	2/2003	Egger	D567,664 S	4/2008	Rica
D471,111 S	3/2003	Kuzma et al.	D569,730 S	5/2008	Crabtree et al.
D471,461 S	3/2003	McGowan	D578,395 S	10/2008	Kuzma et al.
D472,154 S	3/2003	Peon et al.	D578,398 S	10/2008	Kuzma et al.
D475,298 S	6/2003	Corrigan et al.	D578,406 S	10/2008	Kuzma et al.
D480,002 S	9/2003	Canepa	D581,276 S	11/2008	Kuzma et al.
D481,950 S	11/2003	Bakic	D584,953 S	1/2009	Rica
6,659,294 B1	12/2003	Simard	D585,750 S	2/2009	Kuzma et al.
D486,065 S	2/2004	Hutchinson et al.	D590,717 S	4/2009	Weber
D489,267 S	5/2004	Rennie et al.	D591,161 S	4/2009	Trollope et al.
D489,626 S	5/2004	Pitassi	D593,416 S	6/2009	Medema
D495,609 S	9/2004	Wurster	D594,339 S	6/2009	Geeraert et al.
D495,959 S	9/2004	Hogan et al.	D600,127 S *	9/2009	Kuzma D9/530
D495,960 S	9/2004	Hogan et al.	D600,558 S	9/2009	Isono
D496,264 S	9/2004	Eaton et al.	D601,427 S	10/2009	Miller et al.
D496,283 S	9/2004	Busa, Jr.	D605,518 S	12/2009	Desjardins
D496,867 S	10/2004	Kuzma et al.	D607,742 S	1/2010	Kuzma et al.
D497,312 S	10/2004	Anderson et al.	D608,213 S	1/2010	Kuzma et al.
D498,146 S	11/2004	Densky et al.	D610,012 S	2/2010	MacDonald et al.
D498,670 S	11/2004	Cummings et al.	D610,912 S	3/2010	Boesch et al.
D500,447 S	1/2005	Snyder	D614,039 S	4/2010	Arnell
D500,954 S	1/2005	Kuzma et al.	D615,411 S	5/2010	Kuzma et al.
D501,141 S	1/2005	Bakic	D615,871 S	5/2010	Renz et al.
6,838,138 B1 *	1/2005	Akiyama B65D 23/00 156/303.1	D617,646 S	6/2010	Kuzma et al.
D502,400 S	3/2005	Cinquino et al.	D621,267 S	8/2010	Arnell
D505,079 S	5/2005	Mulder et al.	D621,272 S	8/2010	Carnduff et al.
D507,187 S	7/2005	Yourist	D622,146 S	8/2010	Wheaton et al.
D509,148 S	9/2005	Wilson et al.	D623,066 S	9/2010	Mongeon et al.
D510,030 S	9/2005	Storz et al.	D623,532 S	9/2010	Kuzma et al.
D510,705 S	10/2005	Crawfors	D626,002 S	10/2010	Charyszyn et al.
D510,869 S	10/2005	Gross et al.	D626,423 S	11/2010	Lauret
D513,993 S	1/2006	Boyd	D632,581 S	2/2011	Kuzma et al.
6,984,640 B1	1/2006	Haynes et al.	D635,462 S *	4/2011	Kuzma D9/542
D514,448 S	2/2006	Kuzma et al.	D636,269 S	4/2011	Arnell et al.
			D641,247 S	7/2011	Kuzma et al.
			D642,066 S	7/2011	Kuzma et al.
			D642,922 S	8/2011	Kuzma et al.
			D643,736 S	8/2011	Lagerqvist
			D644,519 S	9/2011	Howell et al.

(56)

References Cited

U.S. PATENT DOCUMENTS

D644,529 S 9/2011 Padain et al.
D644,530 S 9/2011 Padain et al.
D644,531 S 9/2011 Padain et al.
D646,171 S 10/2011 Howell et al.
D649,058 S 11/2011 Kuzma et al.
D650,281 S 12/2011 Padain et al.
D650,282 S 12/2011 Padain et al.
D651,518 S 1/2012 Padain et al.

D656,666 S 3/2012 McGregor et al.
D669,359 S 10/2012 Kuzma et al.
D669,360 S 10/2012 Kuzma et al.
D670,173 S 11/2012 Kuzma et al.
D693,689 S * 11/2013 Kim D9/516
2005/0263476 A1 12/2005 Harrison et al.
2007/0205175 A1 9/2007 Darr et al.
2008/0257849 A1 10/2008 Farrar et al.
2008/0314856 A1 12/2008 Penny et al.
2011/0226791 A1 9/2011 Kuzma et al.
2012/0305516 A1 12/2012 Kuzma et al.

* cited by examiner



FIG. 1

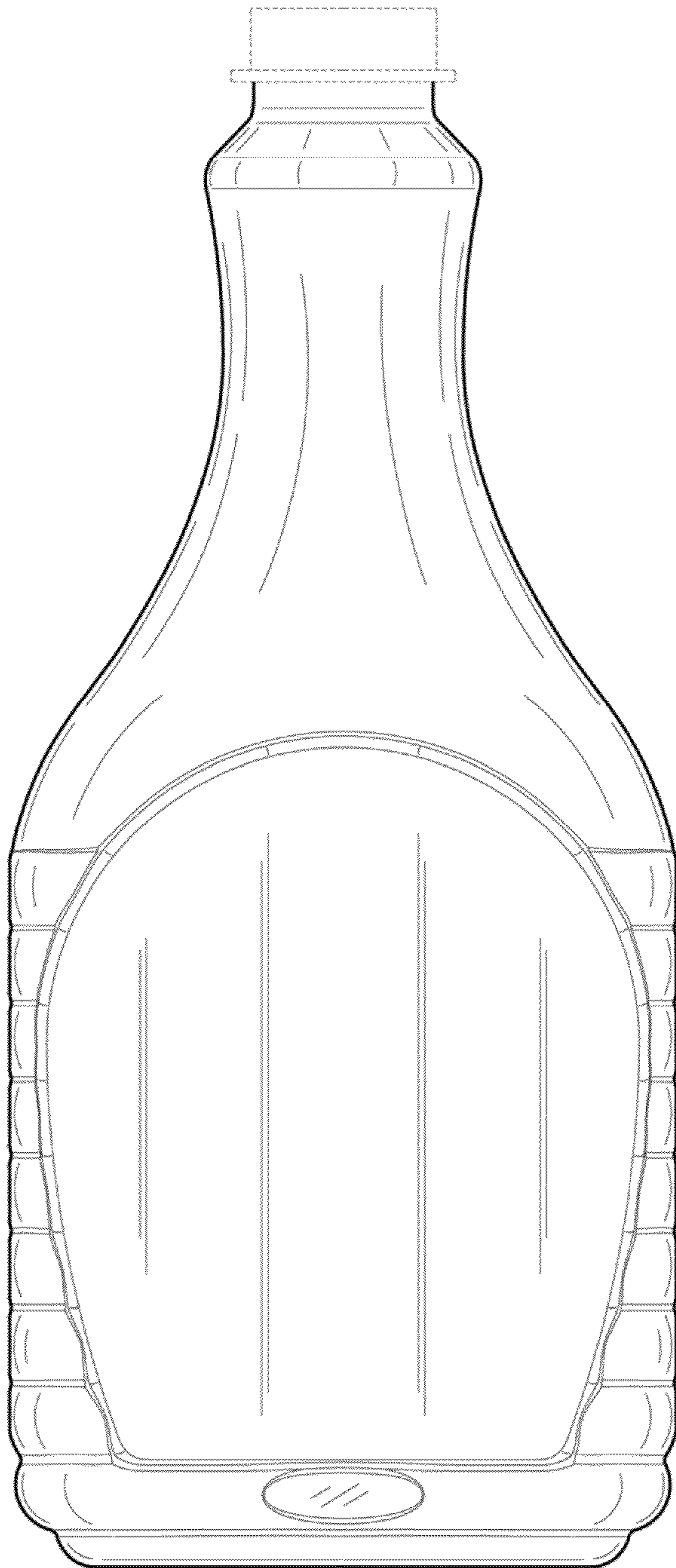


FIG. 2

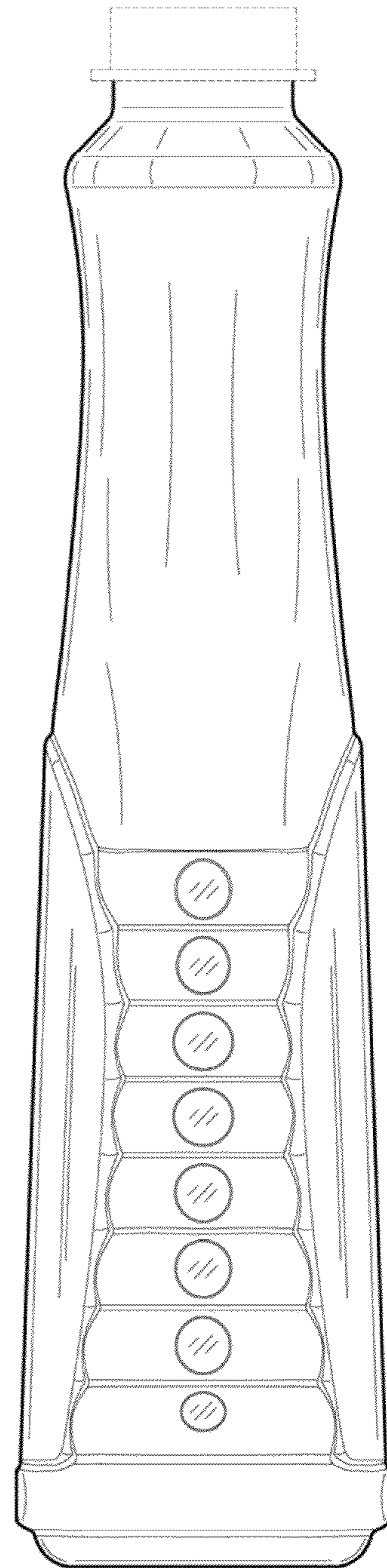


FIG. 3

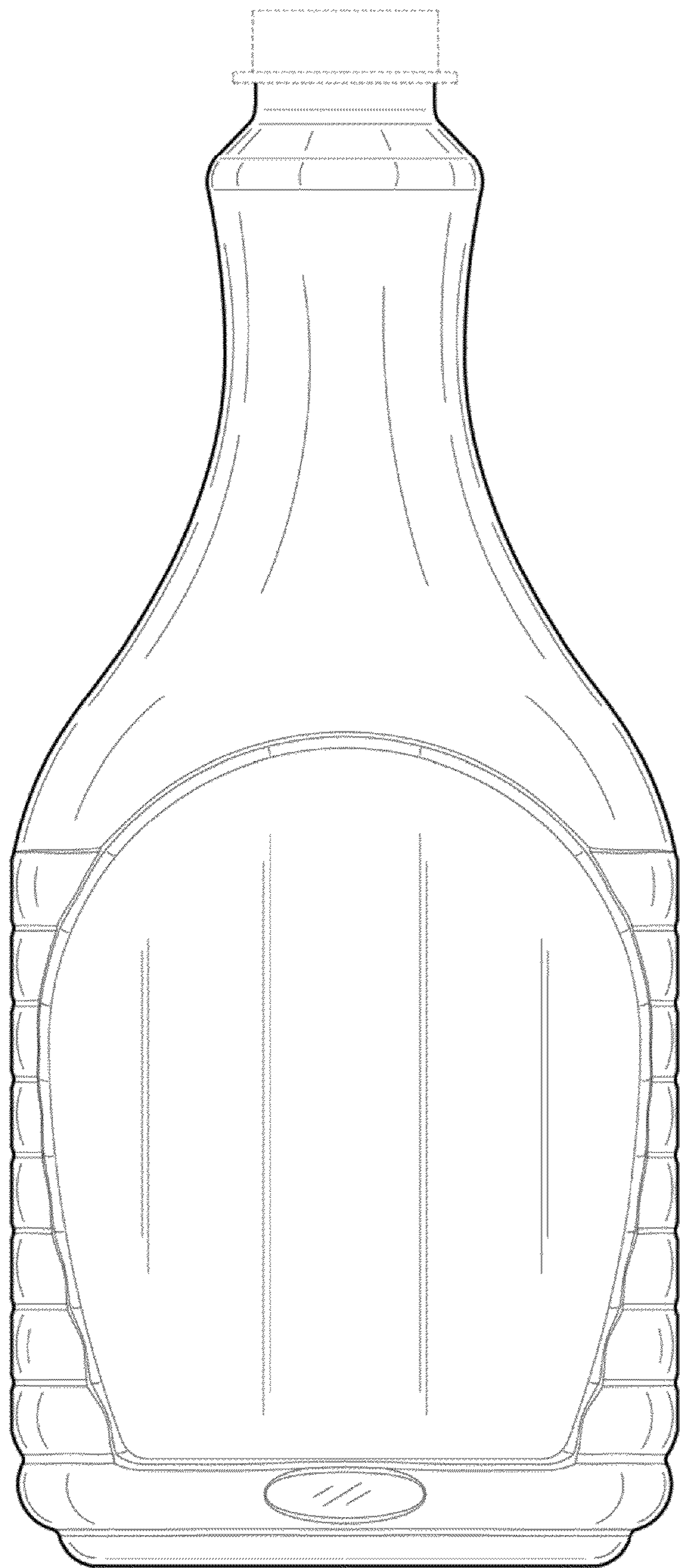


FIG. 4

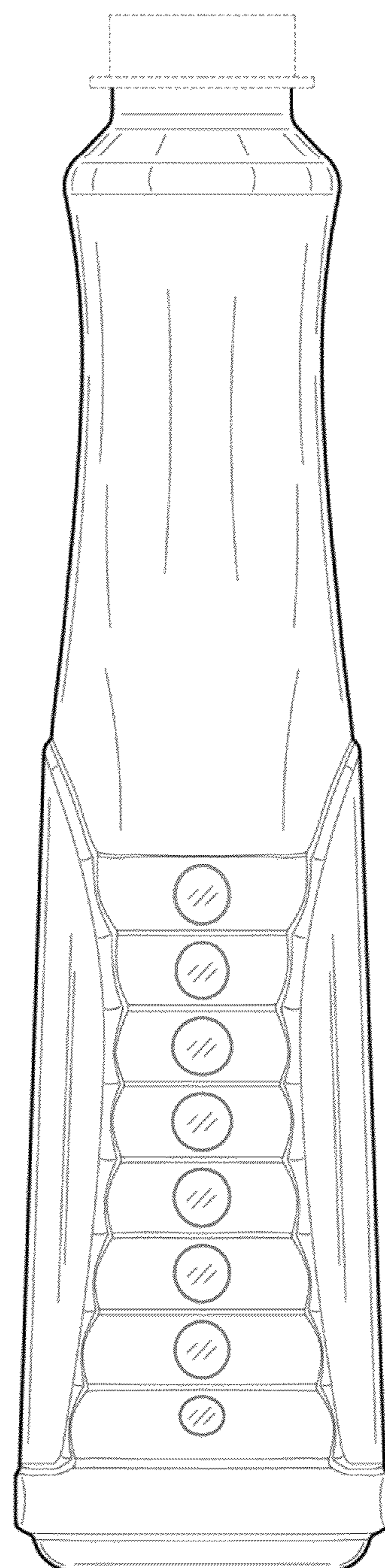


FIG. 5

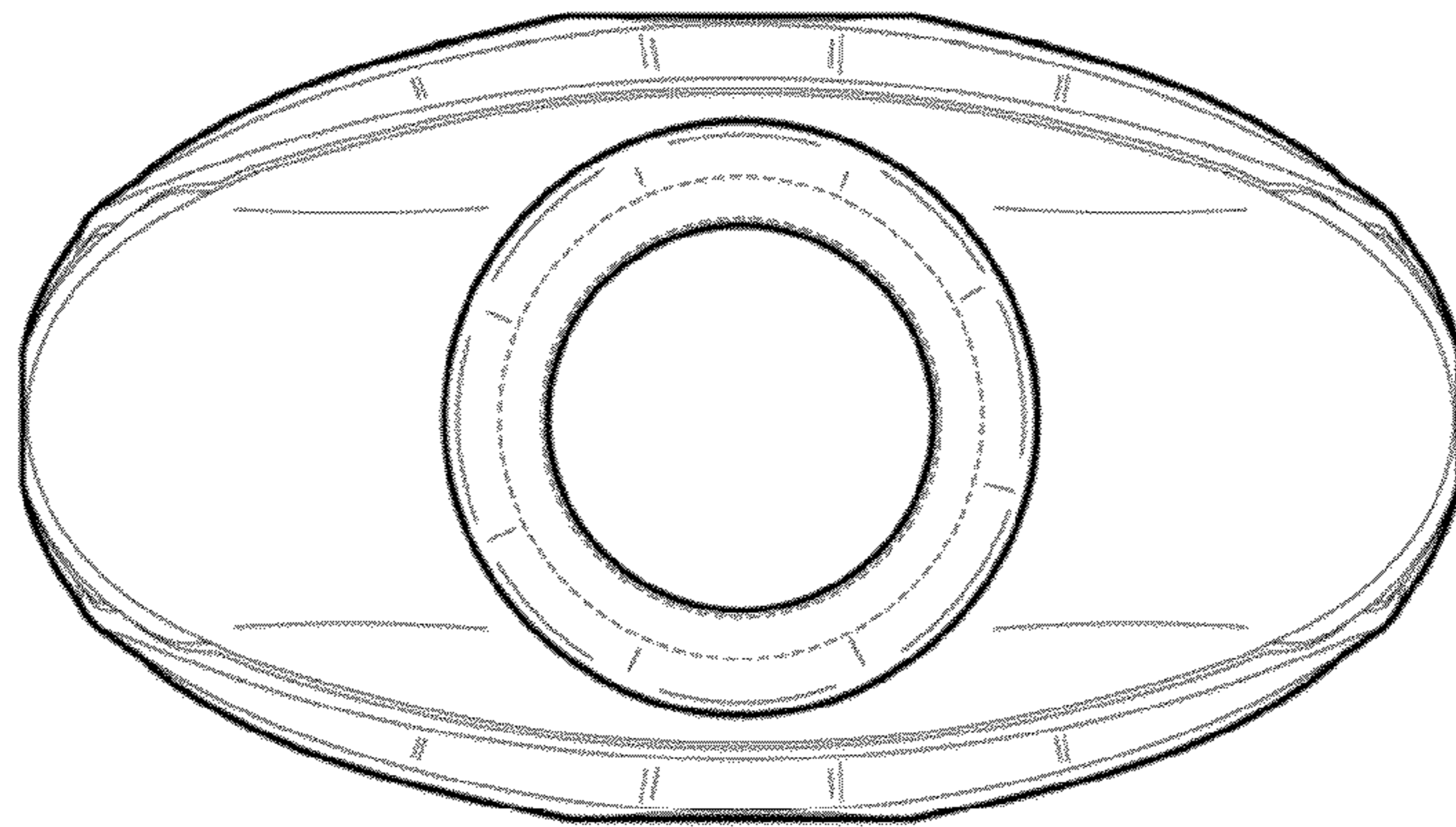


FIG. 6

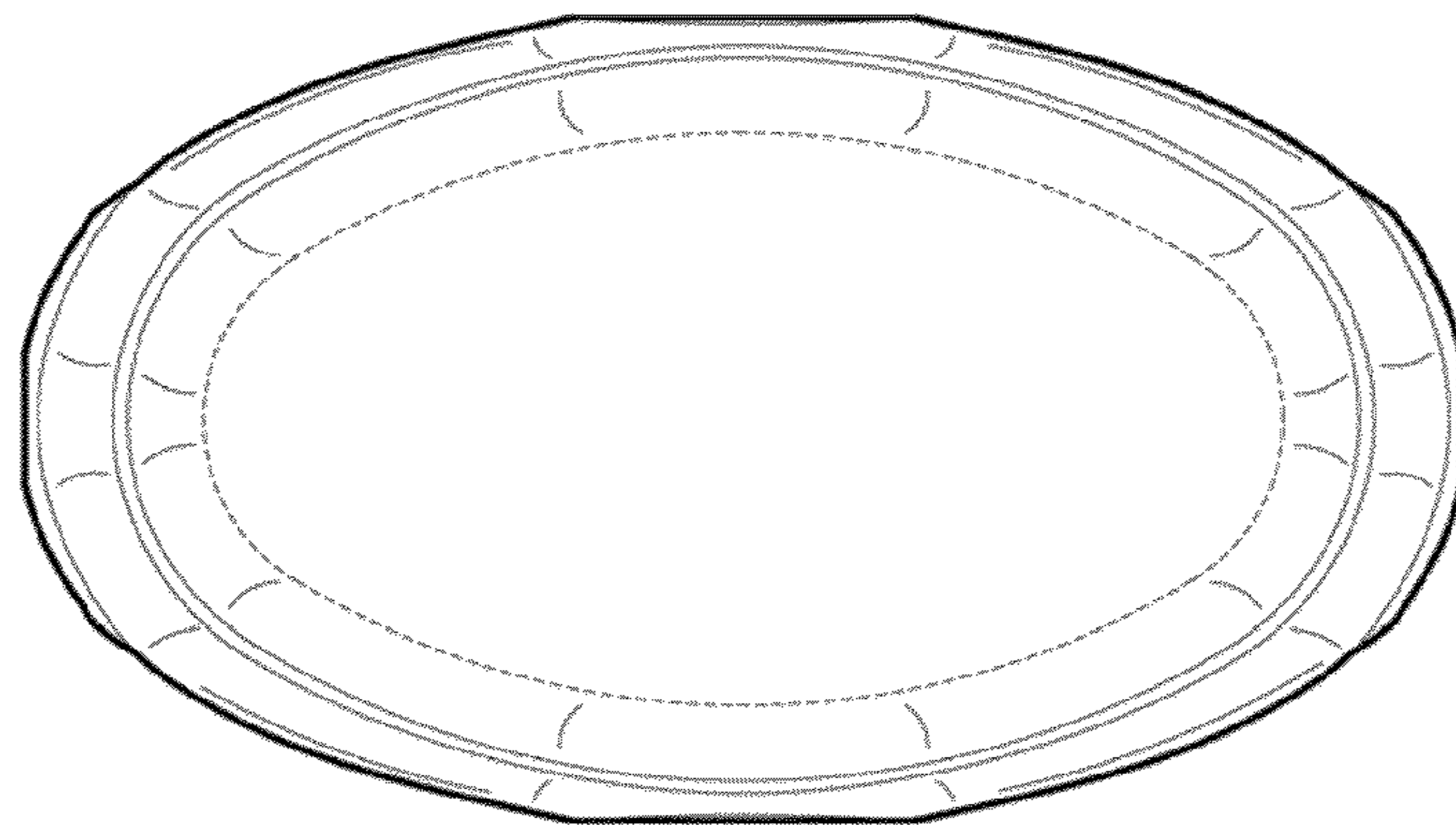


FIG. 7