



US00D746142S

(12) **United States Design Patent**
Thibodeau

(10) **Patent No.:** **US D746,142 S**
(45) **Date of Patent:** **** Dec. 29, 2015**

(54) **BOTTLE PREFORM**

(71) Applicant: **DT Inventions**, Houston, TX (US)

(72) Inventor: **James Alfred Thibodeau**, Gahanna, OH (US)

(73) Assignee: **DT Inventions**, Houston, TX (US)

(**) Term: **14 Years**

(21) Appl. No.: **29/468,892**

(22) Filed: **Oct. 4, 2013**

(51) **LOC (10) Cl.** **09-01**

(52) **U.S. Cl.**
USPC **D9/516; D9/534**

(58) **Field of Classification Search**
USPC D9/434-435, 516, 530-531, 534,
D9/536-538, 540-541, 543, 549, 558, 715,
D9/719
CPC B65D 1/00; B65D 1/26; B65D 1/265;
B65D 23/00; B65D 23/10; B65D 23/104;
B65D 81/00; B65D 2501/00; B65D 2501/0009
See application file for complete search history.

(56) **References Cited**

U.S. PATENT DOCUMENTS

D257,579 S * 12/1980 Hayes D9/500
D257,582 S * 12/1980 Hayes D9/500

4,280,630 A * 7/1981 Hafele B65D 23/10
215/398
4,311,246 A * 1/1982 Saito B29C 49/0073
215/398
D272,133 S * 1/1984 Hayes D9/434
D273,278 S * 4/1984 Hayes D9/434
4,629,598 A * 12/1986 Thompson B65D 23/106
215/383
D598,746 S * 8/2009 Caldwell D9/435
D598,747 S * 8/2009 Caldwell D9/435
8,524,143 B2 * 9/2013 Thibodeau B29C 49/0073
264/532

* cited by examiner

Primary Examiner — Dana L Meyrow

(74) *Attorney, Agent, or Firm* — Osha Liang LLP

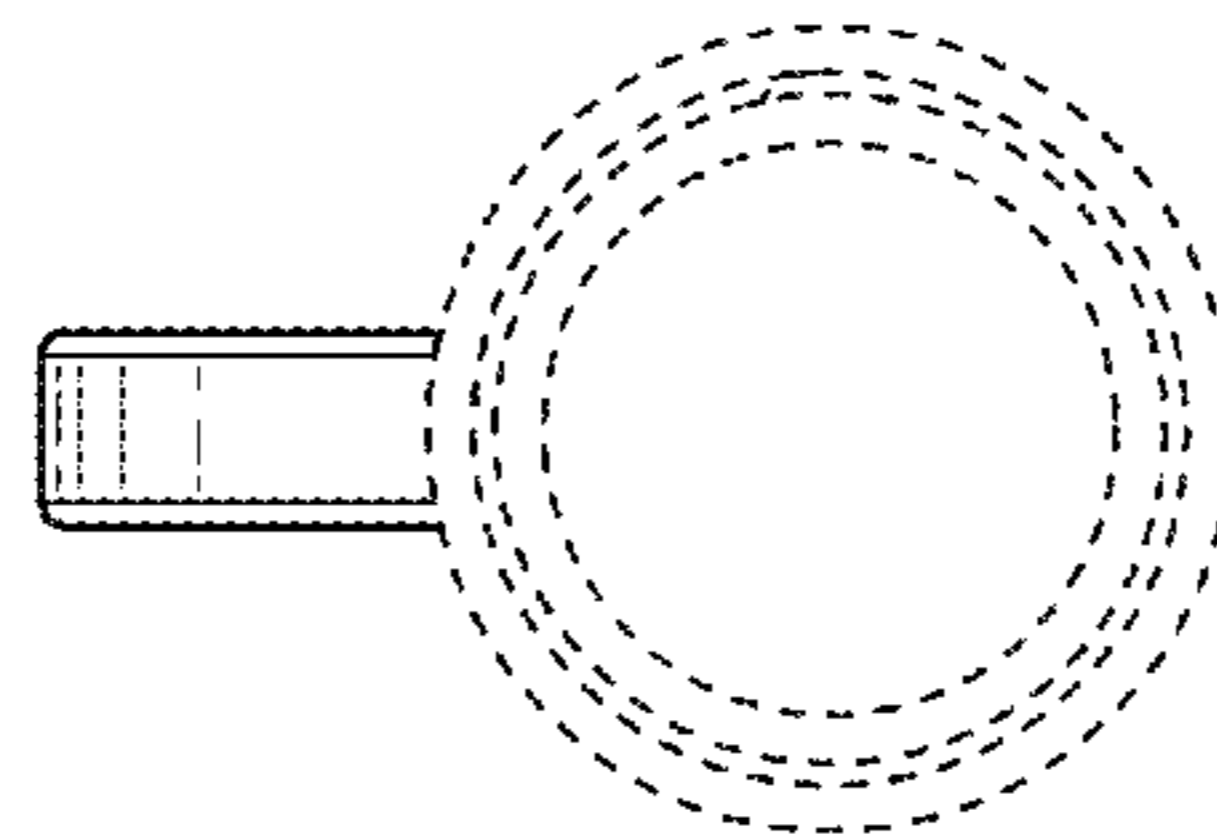
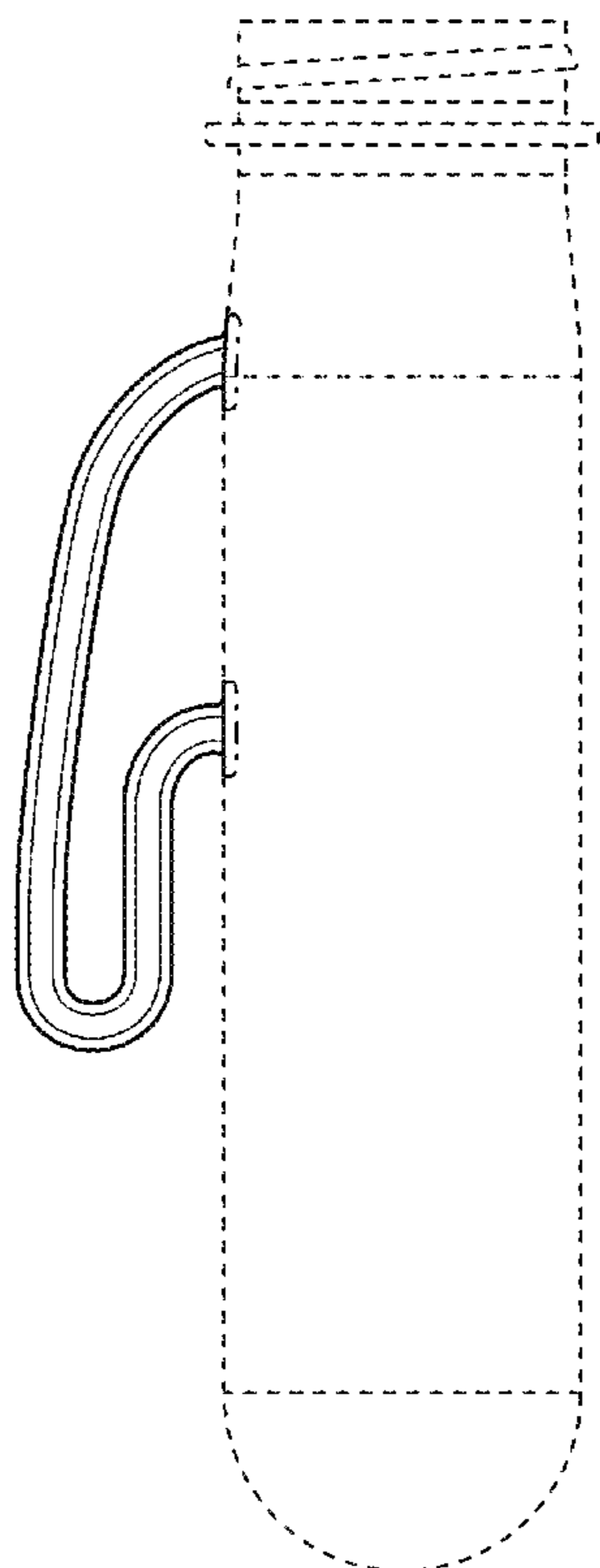
(57) **CLAIM**

I claim the ornamental design for a bottle preform, as shown and described.

DESCRIPTION

FIG. 1 is a rear elevation view of a bottle preform according to our new design;
FIG. 2 is a left side elevation view thereof;
FIG. 3 is a top plan view thereof;
FIG. 4 is a bottom plan view thereof; and,
FIG. 5 is a top, right side perspective view thereof.
The evenly-dashed broken lines in the drawings illustrate the portions of the bottle preform that form no part of the claim. The dot-dash broken lines in the drawings define the bounds of the claim and form no part thereof.

1 Claim, 2 Drawing Sheets



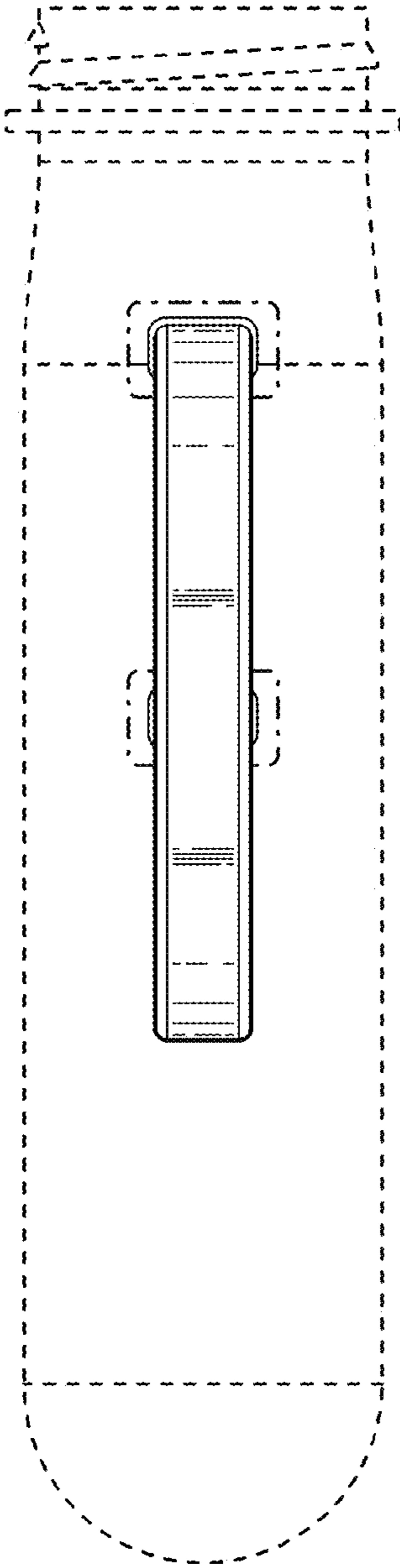


FIG. 1

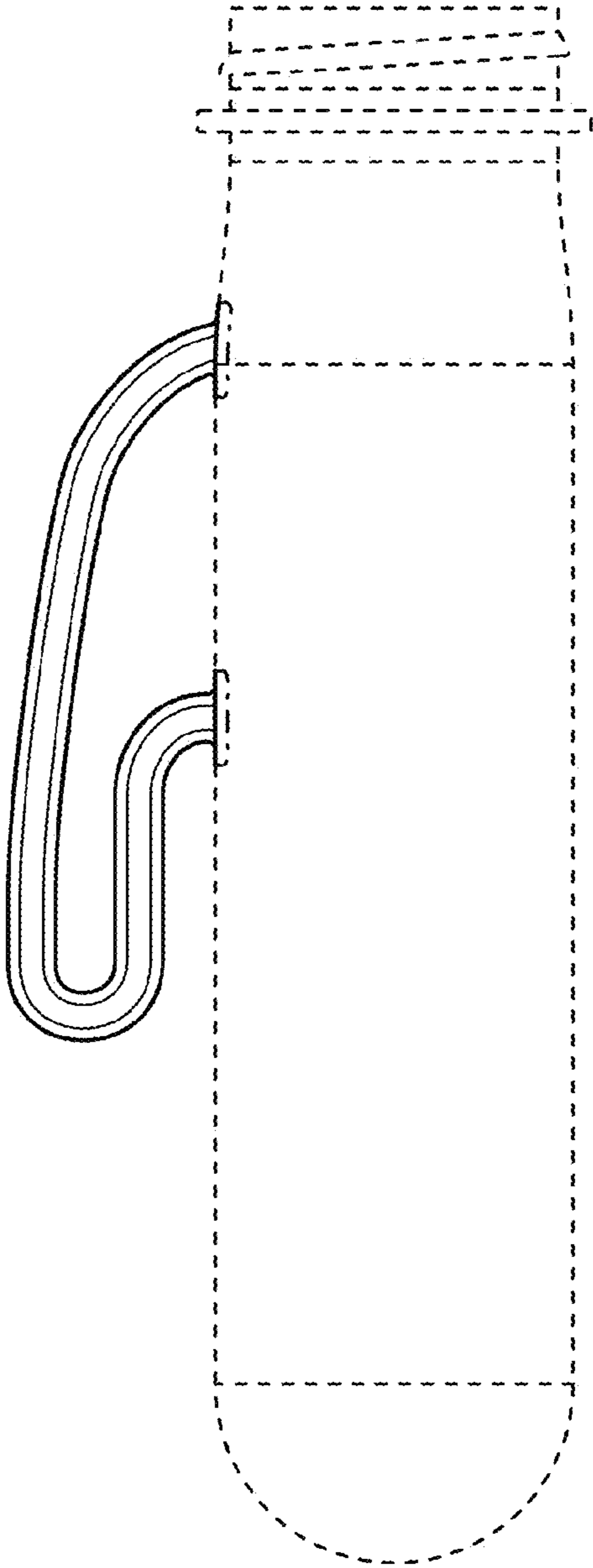


FIG. 2

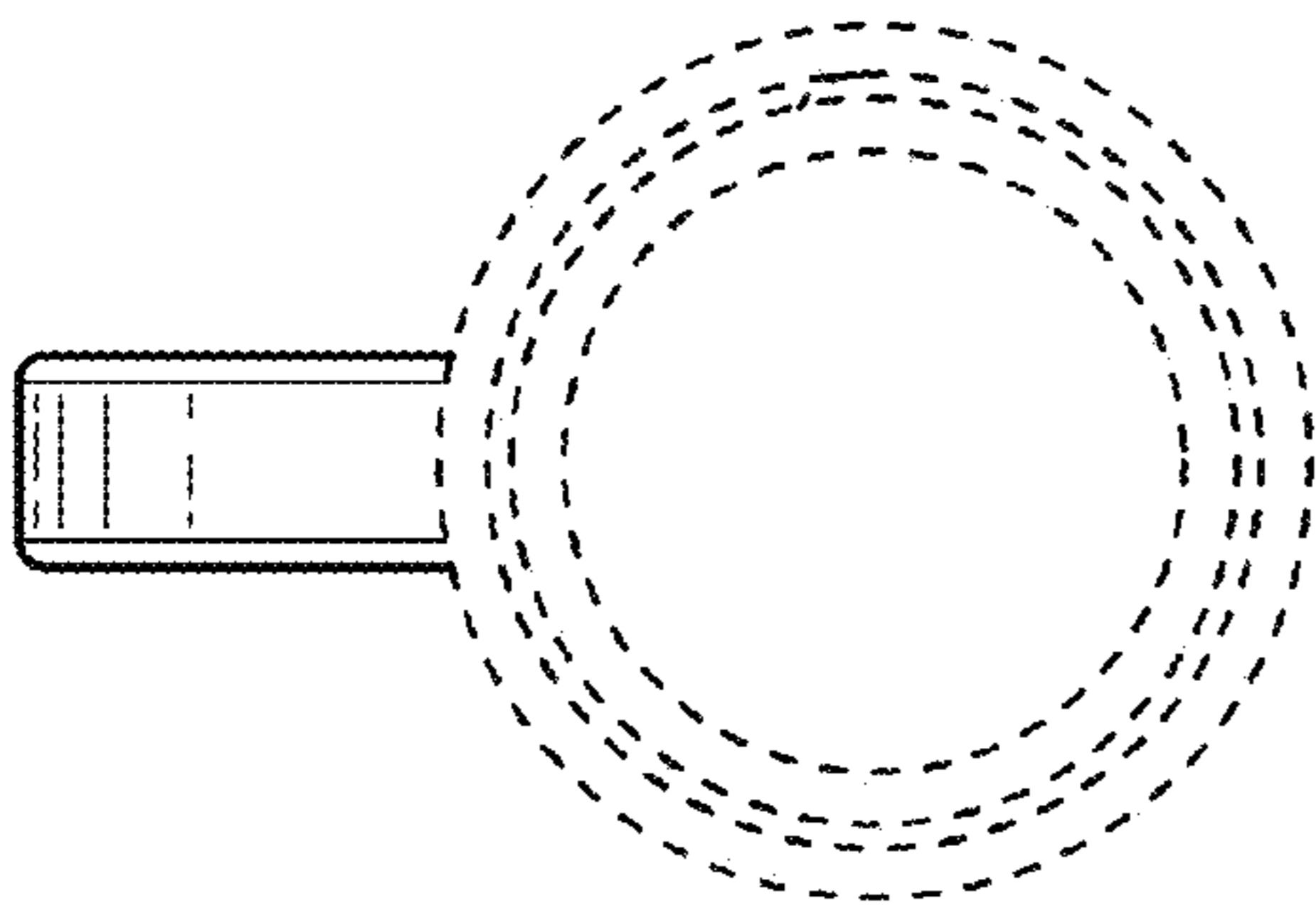


FIG. 3

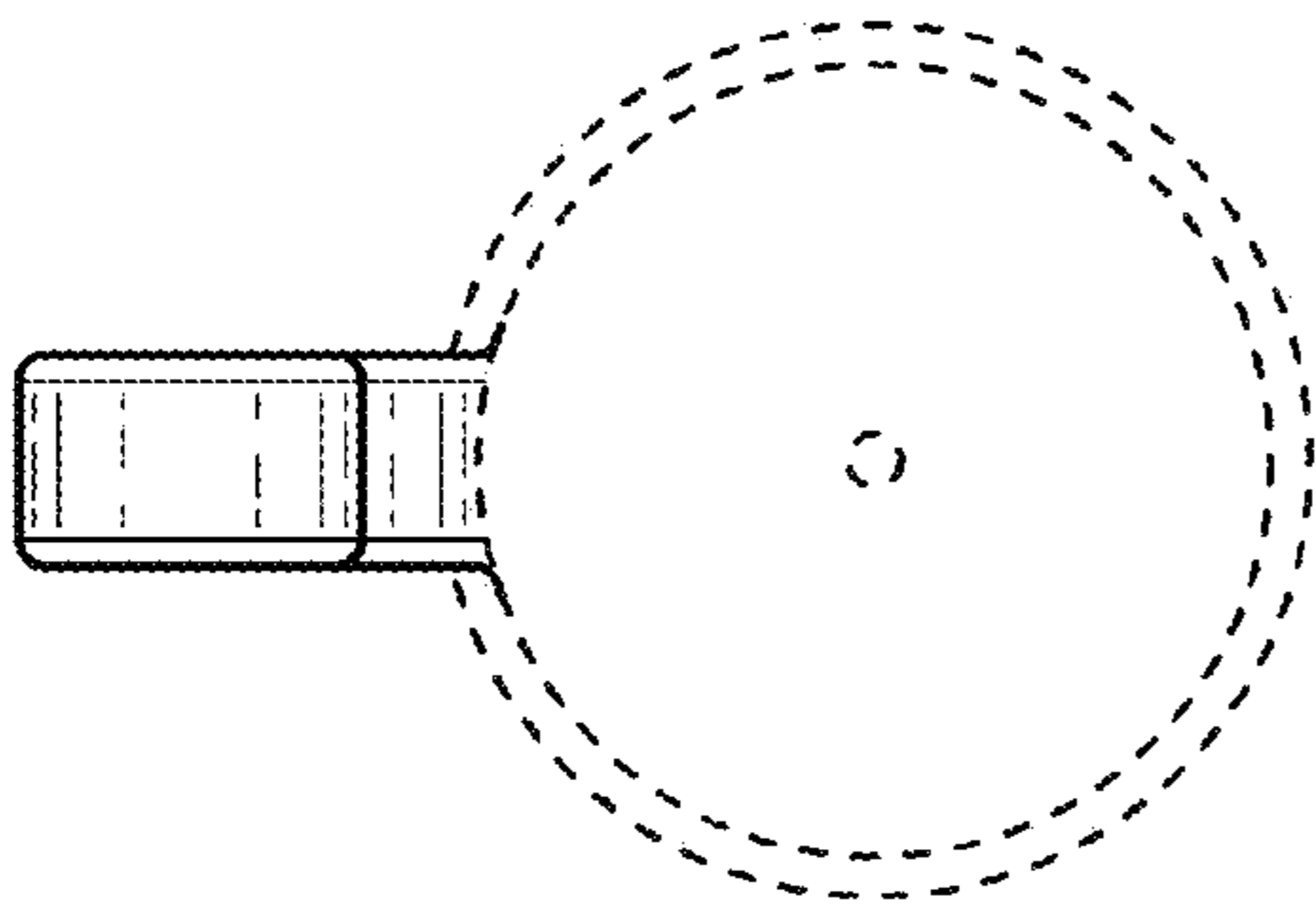


FIG. 4

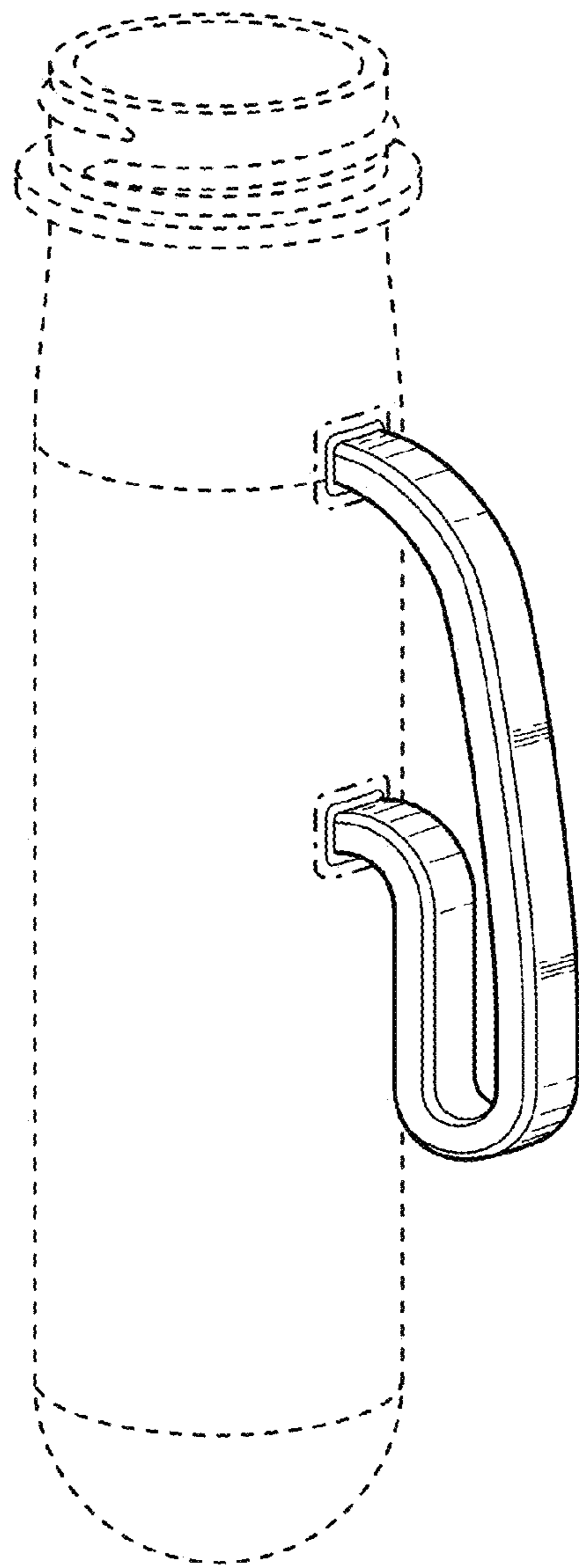


FIG. 5