



US00D746140S

(12) **United States Design Patent**
Watabe

(10) **Patent No.:** **US D746,140 S**

(45) **Date of Patent:** **** Dec. 29, 2015**

(54) **BOTTLE**

(71) Applicant: **Kousuke Watabe**, Tokyo (JP)

(72) Inventor: **Kousuke Watabe**, Tokyo (JP)

(73) Assignee: **SHISEIDO CO., LTD.**, Tokyo (JP)

(**) Term: **14 Years**

(21) Appl. No.: **29/493,683**

(22) Filed: **Jun. 12, 2014**

(51) **LOC (10) Cl.** **09-01**

(52) **U.S. Cl.**

USPC **D9/503**; D9/445; D9/452

(58) **Field of Classification Search**

USPC D9/434–435, 444–445, 454, 500,
D9/503–504, 516, 529, 549, 552, 558, 575,
D9/682, 686, 688, 690–691, 715, 719,
D9/723–727, 729; D28/4, 76, 86, 88–89,
D28/91.1

CPC B65D 1/00; B65D 1/02; B65D 1/0223;
B65D 23/00; B65D 81/00; B65D 2501/00;
B65D 2501/0009

See application file for complete search history.

(56) **References Cited**

U.S. PATENT DOCUMENTS

- 2,670,868 A * 3/1954 Stover B65D 43/0222
215/46
- D214,159 S * 5/1969 Hart D9/503
- D330,859 S * 11/1992 Schaeffer D9/503
- D347,165 S * 5/1994 Schneider D9/688
- D357,628 S * 4/1995 Vasas D9/503
- D363,375 S * 10/1995 Arntsen D28/77
- D422,218 S * 4/2000 Ohchi D9/454
- D423,922 S * 5/2000 Ohchi D9/503
- D424,942 S * 5/2000 Ohchi D9/503
- D427,899 S * 7/2000 Bougamont D9/688
- D434,667 S * 12/2000 Gobe D9/529
- D472,152 S * 3/2003 Joubert D9/529
- D523,350 S * 6/2006 Ohmoto D9/690
- D562,681 S * 2/2008 Blasko D9/445
- D573,035 S * 7/2008 Dean D9/503
- D585,761 S * 2/2009 Oates D9/686

- D599,666 S * 9/2009 Marotti D9/454
- D610,021 S * 2/2010 Kinoshita D9/686
- D612,239 S * 3/2010 Marotti D9/452
- D613,604 S * 4/2010 Rowland D9/504
- D615,874 S * 5/2010 Nagata D9/448
- D632,014 S * 2/2011 Lee D28/76
- D656,824 S * 4/2012 Haile D9/503
- D671,836 S * 12/2012 DeMarco D9/503
- D696,121 S * 12/2013 Jung D9/503
- D705,066 S * 5/2014 DeMarco D9/503
- D718,138 S * 11/2014 Komai D9/503
- D720,155 S * 12/2014 Watabe D6/536
- D730,184 S * 5/2015 Matsushita D9/435
- D736,624 S * 8/2015 Berlepsch D9/451

OTHER PUBLICATIONS

“Scope Outlast Mouthwash—Long Lasting Mint—25oz, 750 mililiter”, Soap.com, dated in Google image search as being before Jun. 12, 2013, 5 pages, < <http://www.soap.com/p/productname-60669> >.*

“Scope oulast bottle cap”, Google search for images Before Jun. 12, 2013, 1 page, < https://www.google.com/search?q=scope+outlast+bottle+cap&rlz=com.microsoft%3Aen-US%3AIE-Address&biw=1668&bih=1044&source=Int&tbs=isz%3A%2Ccdr%3A%2Ccd_min%3A%2Ccd_max%3A%2F12%2F2013&t... >.*

* cited by examiner

Primary Examiner — Dana L Meyrow

(74) *Attorney, Agent, or Firm* — Manabu Kanesaka

(57) **CLAIM**

The ornamental design for a bottle, as shown and described.

DESCRIPTION

FIG. 1 is a perspective view of a bottle showing my new design;

FIG. 2 is a front view thereof;

FIG. 3 is a rear view thereof;

FIG. 4 is a left side view thereof;

FIG. 5 is a right side view thereof;

FIG. 6 is a plan view thereof; and,

FIG. 7 is a bottom view thereof.

1 Claim, 6 Drawing Sheets

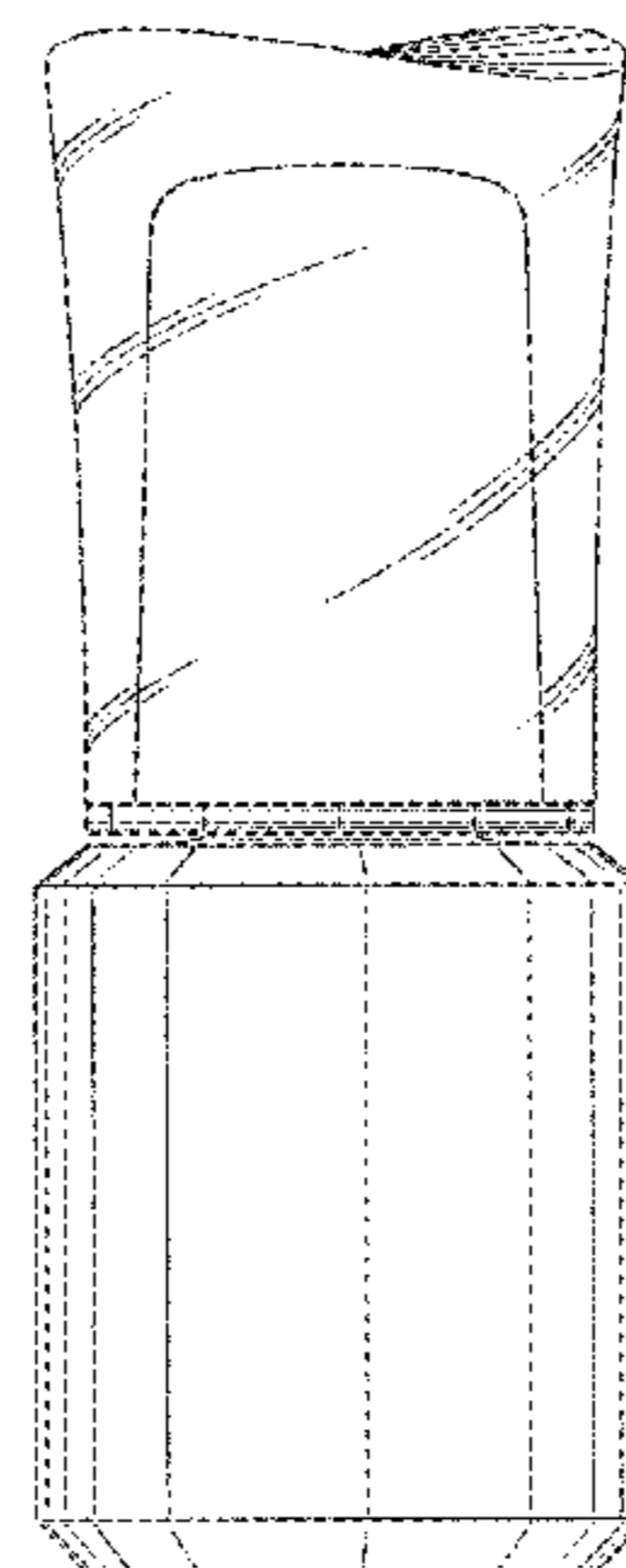
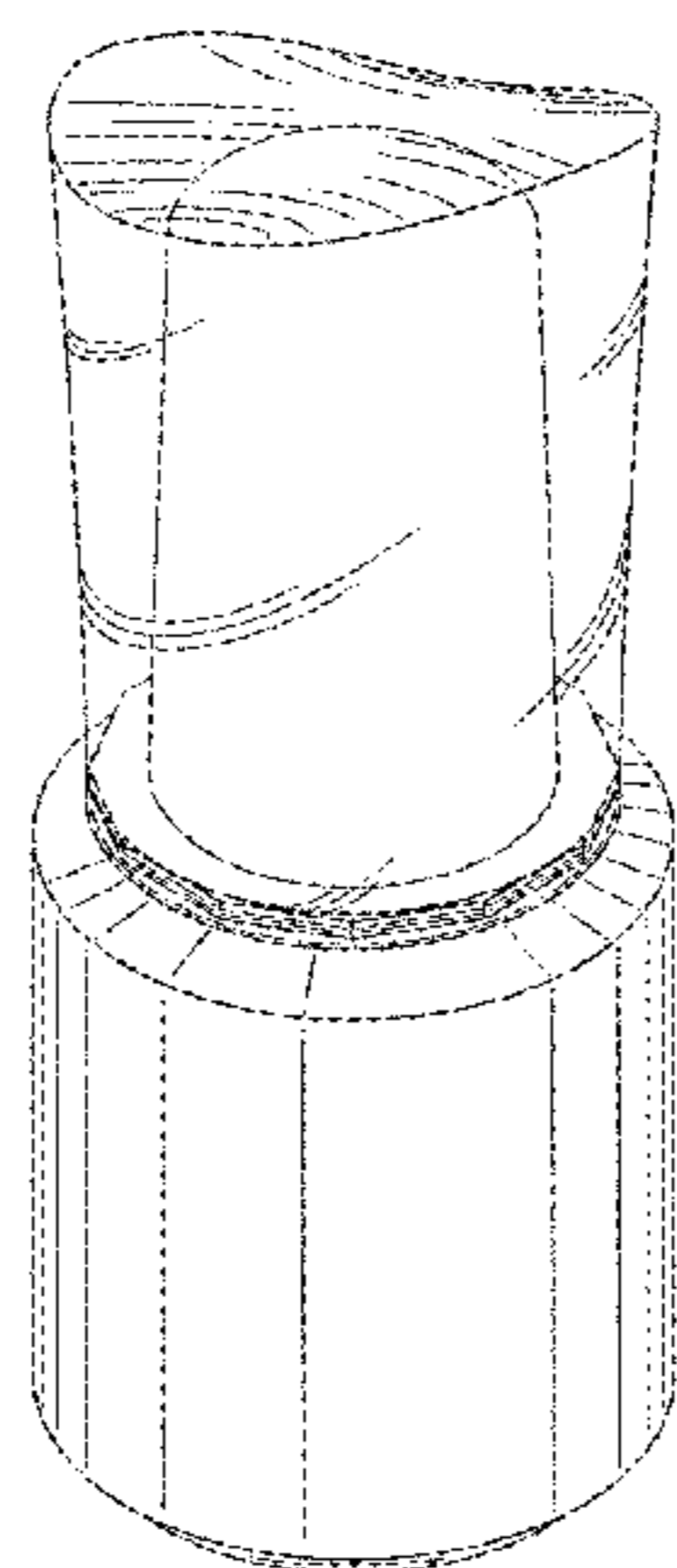


Fig. 1

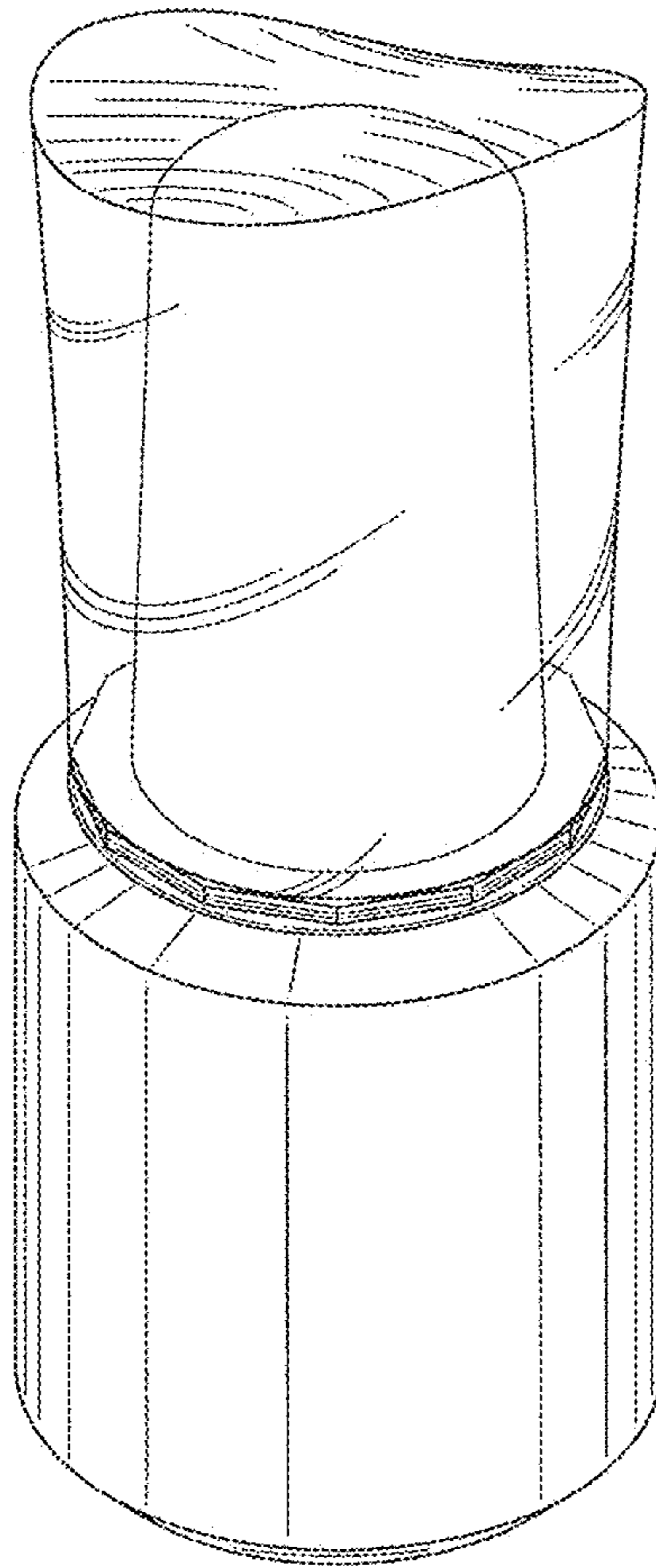


Fig. 2

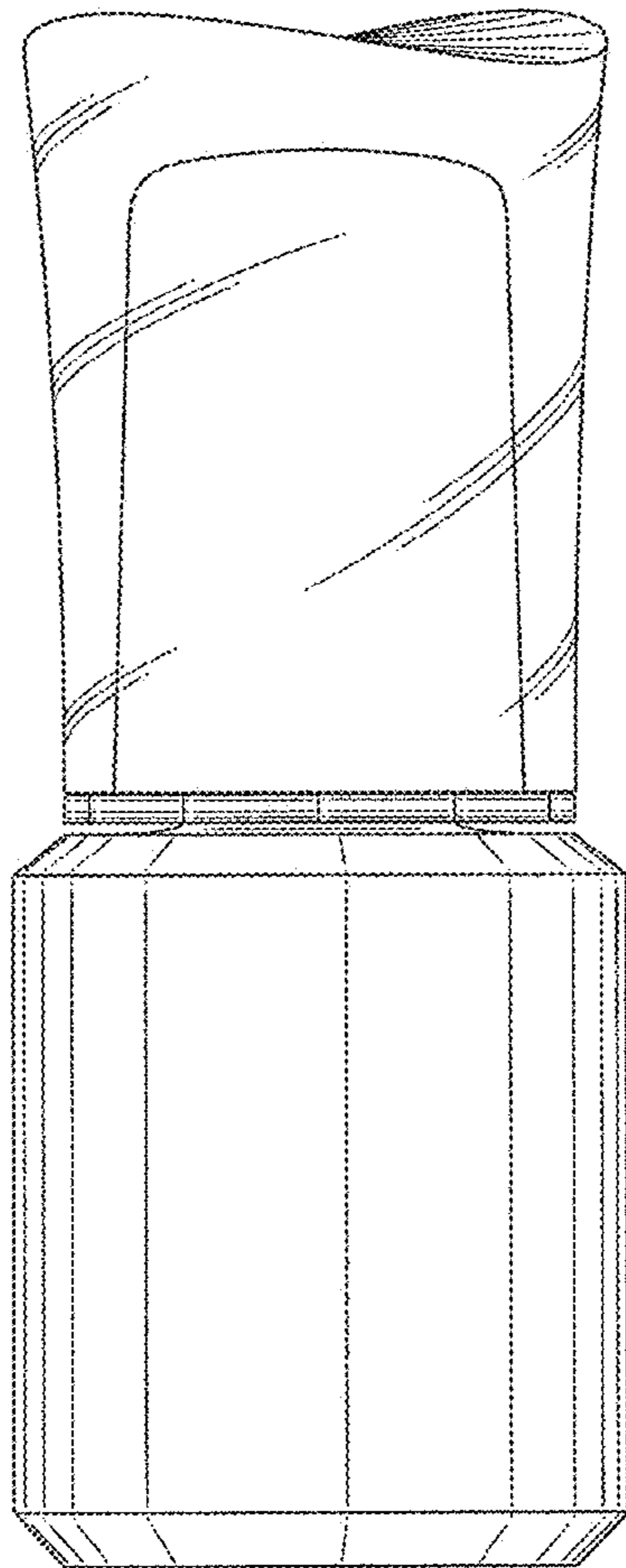


Fig. 3

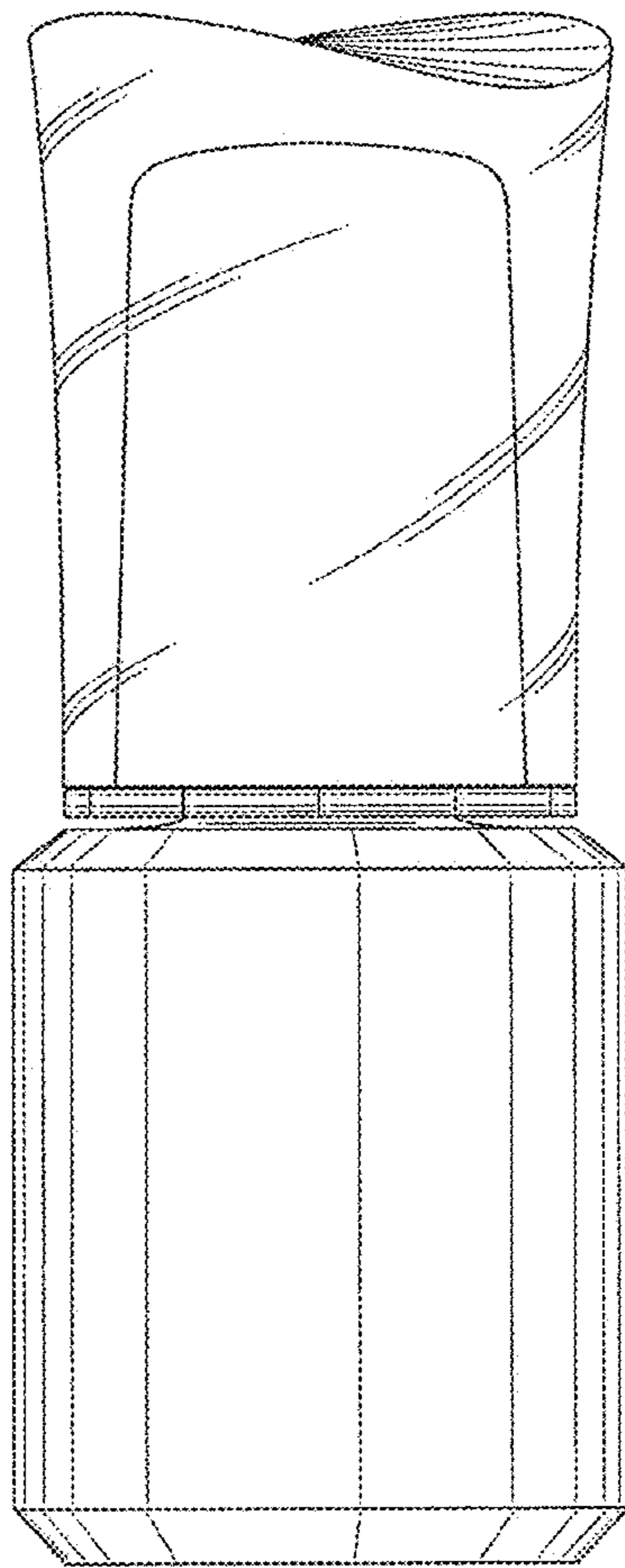


Fig. 4

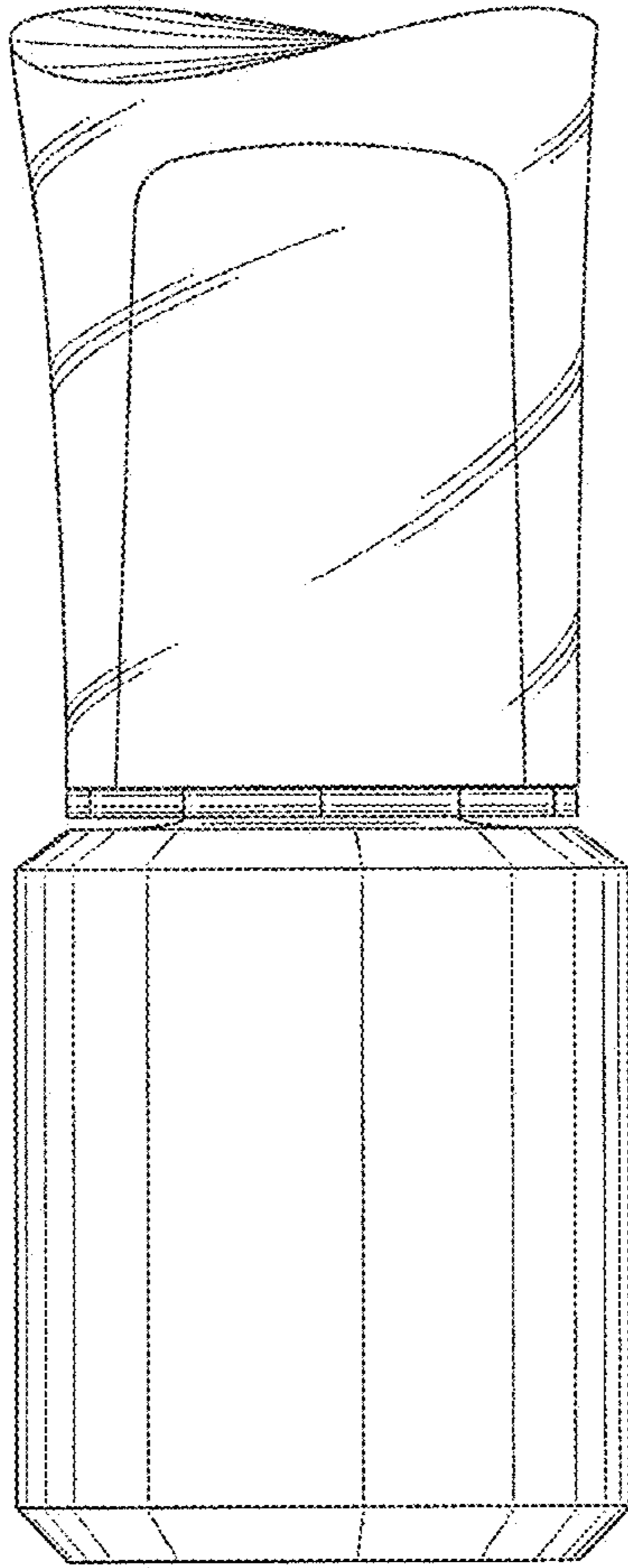


Fig. 5

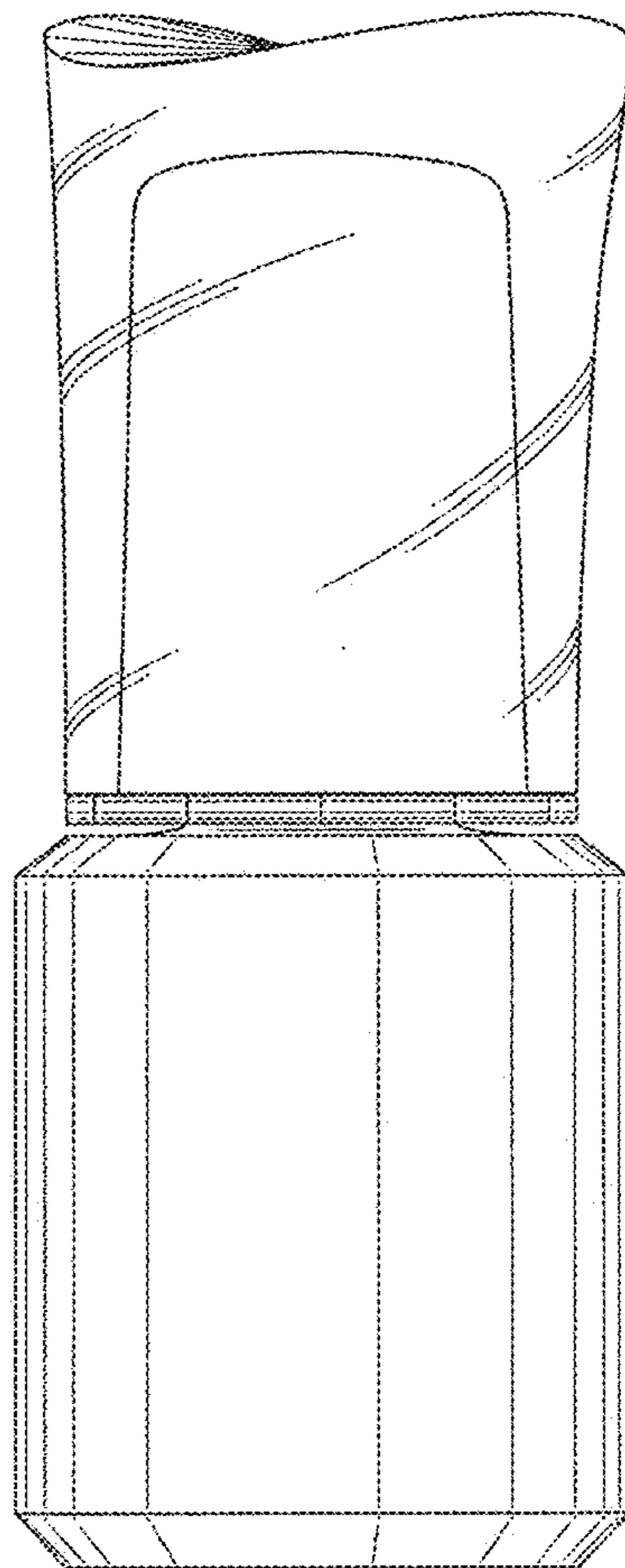


Fig. 6

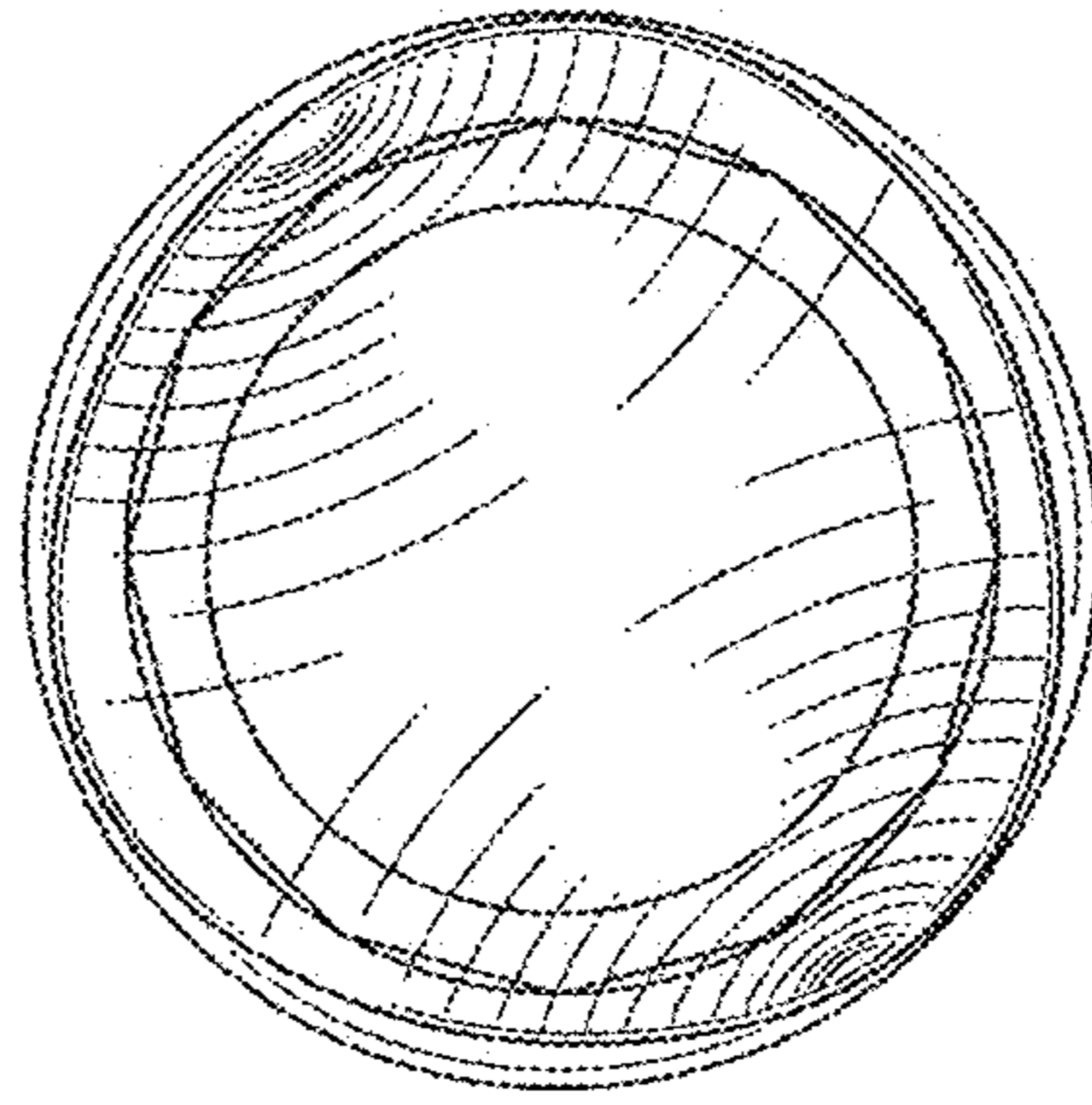


Fig. 7

