



US00D746134S

(12) **United States Design Patent**
Still et al.

(10) **Patent No.:** **US D746,134 S**

(45) **Date of Patent:** **** Dec. 29, 2015**

(54) **APPLICATOR**

(71) Applicant: **The Procter & Gamble Company**,
Cincinnati, OH (US)

(72) Inventors: **James Douglas Still**, Cleves, OH (US);
Lucio Frias, Madeira, OH (US);
William Dale Murdock, Cheviot, OH
(US); **Mikah Coffindaffer**, Mason, OH
(US)

(73) Assignee: **The Procter & Gamble Company**,
Cincinnati, OH (US)

(**) Term: **14 Years**

(21) Appl. No.: **29/458,156**

(22) Filed: **Jun. 17, 2013**

(51) **LOC (10) Cl.** **09-07**

(52) **U.S. Cl.**
USPC **D9/447**; D9/499

(58) **Field of Classification Search**
USPC D6/452-545; D7/300, 321, 392.1,
D7/396.2, 500, 507, 509, 510, 511, 900;
D9/434-448, 452, 455, 524, 682, 685,
D9/684; D28/7, 8, 20, 21, 22, 30, 31, 76,
D28/85, 99; 132/108, 202, 208; 215/200,
215/235, 236, 252, 254, 329, 355-364;
220/203.04-203.07, 220, 254.1, 254.4,
220/556, 703, 704, 705
CPC F04D 29/708; A45D 40/265; A45D 19/02;
A45D 34/00; B05B 7/0408; B05B 11/0089;
B05B 15/02; B05C 17/005; B05C 1/00;
B05C 5/02

See application file for complete search history.

(56) **References Cited**

U.S. PATENT DOCUMENTS

D58,474 S *	7/1921	Foster	D28/32
D204,831 S *	5/1966	Goldberg	D9/448
D253,398 S *	11/1979	Niemeyer et al.	D9/448
D338,341 S *	8/1993	Colon et al.	D4/117
D353,019 S *	11/1994	Kimmell et al.	D28/25
D368,981 S *	4/1996	Bozak	D28/25
D369,435 S *	4/1996	Bozak	D28/30
D370,302 S *	5/1996	Healy	D28/7
D399,602 S *	10/1998	Ratnam	D28/25
D462,808 S *	9/2002	Swaner et al.	D28/7
D659,454 S *	5/2012	Fritz et al.	D6/542
D672,177 S *	12/2012	Zeng	D6/542
D681,876 S	5/2013	Murdock	
D690,876 S *	10/2013	Murdock et al.	D28/7

* cited by examiner

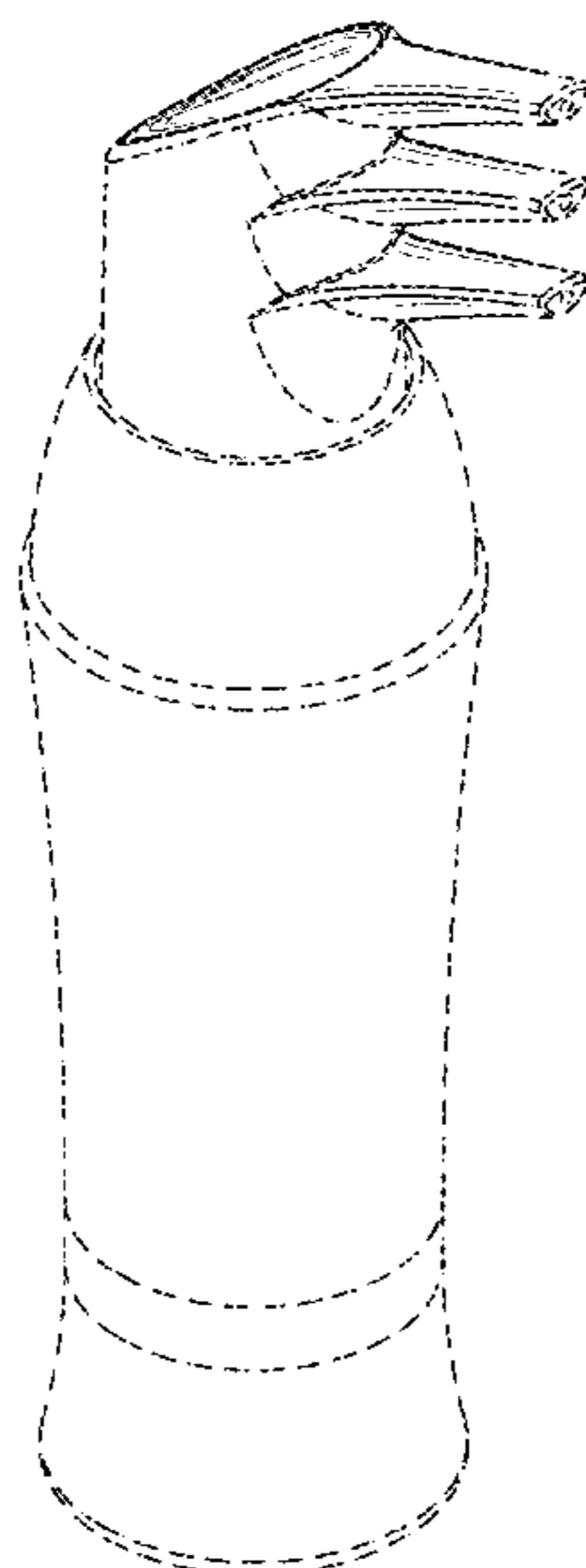
Primary Examiner — Robert M Spear
Assistant Examiner — Marissa J Cash
(74) *Attorney, Agent, or Firm* — James T. Fondriest

(57) **CLAIM**
The ornamental design for an applicator, as shown and described.

DESCRIPTION

FIG. 1 is a perspective front view of an applicator embodying the new design shown;
FIG. 2 is a front view of the design shown in FIG. 1;
FIG. 3 is a left side view of the design shown in FIG. 1;
FIG. 4 is a back view of the design shown in FIG. 1;
FIG. 5 is a right side view of the design shown in FIG. 1;
FIG. 6 is a bottom view of the design shown in FIG. 1; and,
FIG. 7 is a top view of the design shown in FIG. 1.
Broken lines shown in the figures depict environmental subject matter only and form no part of the claimed design.

1 Claim, 4 Drawing Sheets



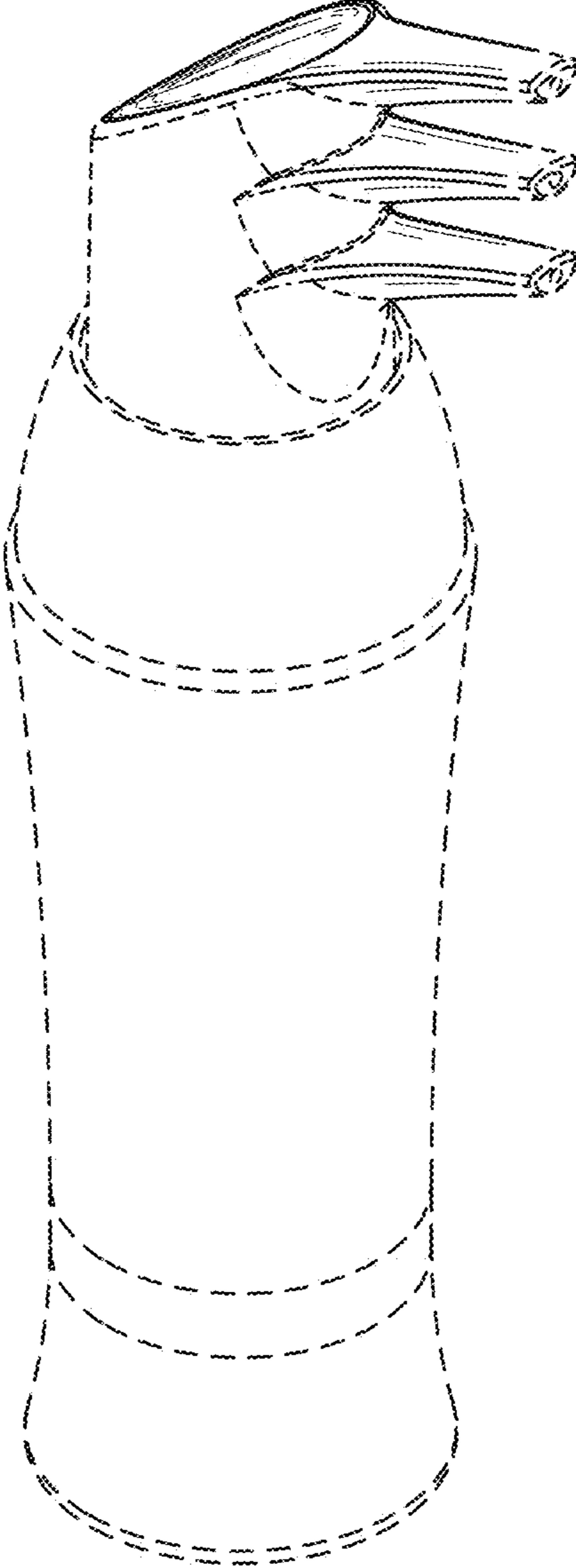


Fig. 1

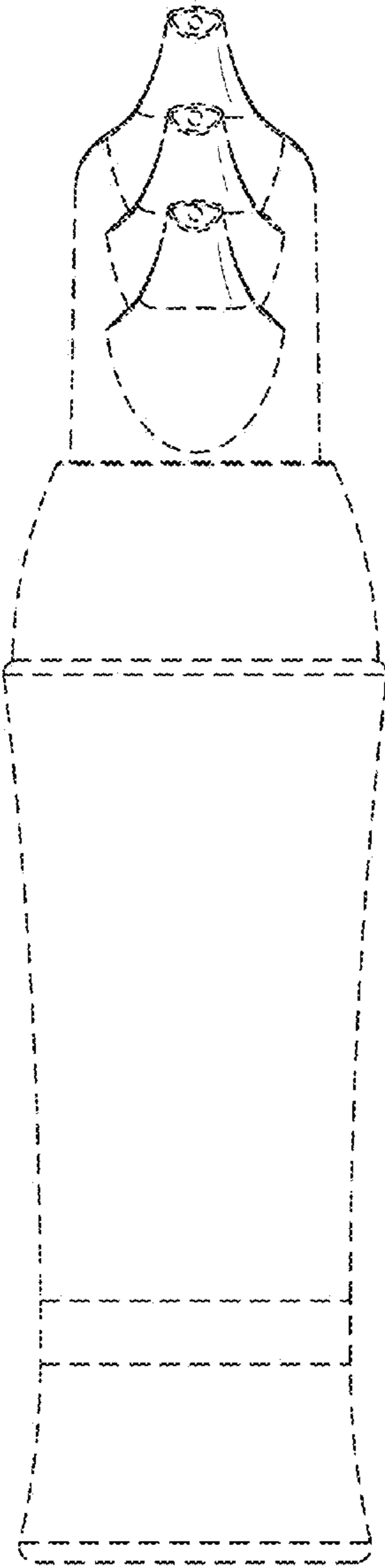


Fig. 2

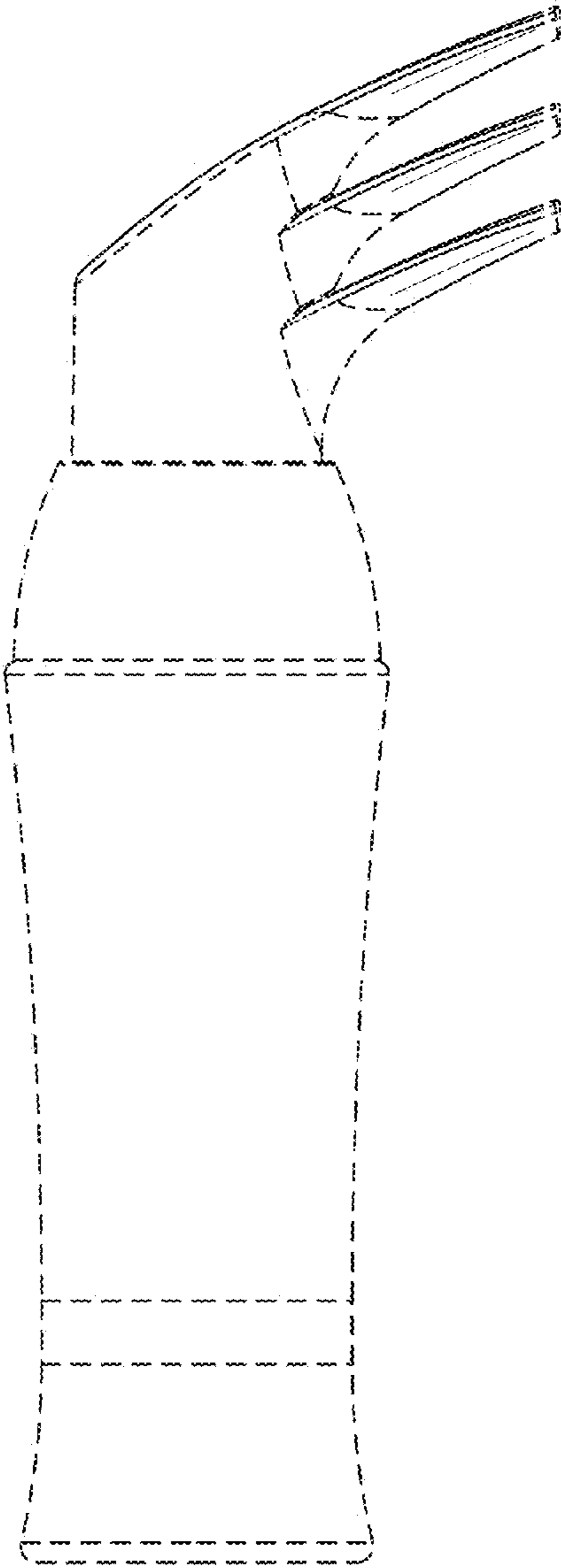


Fig. 3

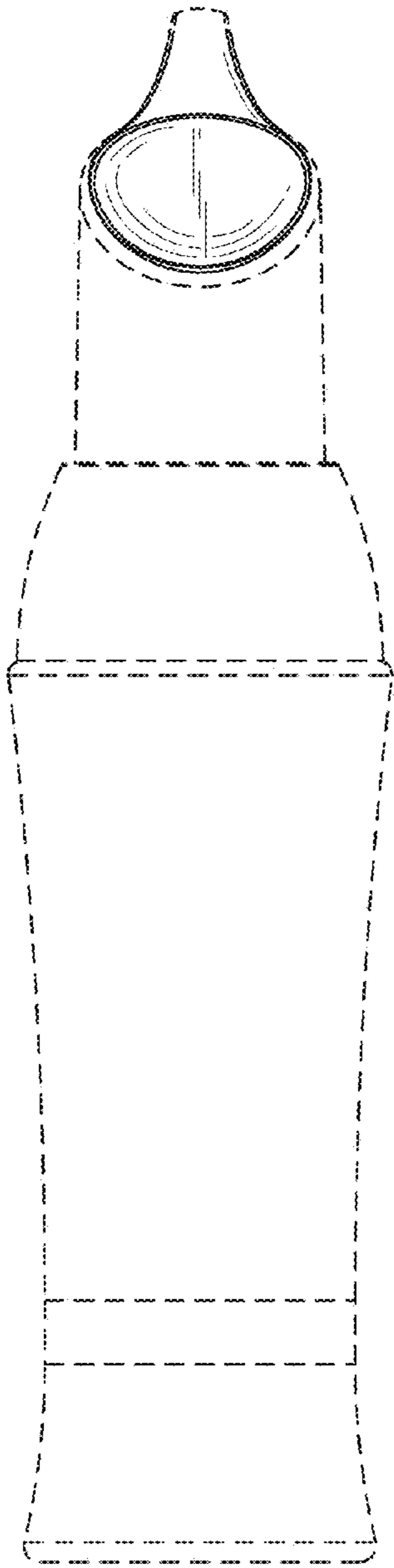


Fig. 4

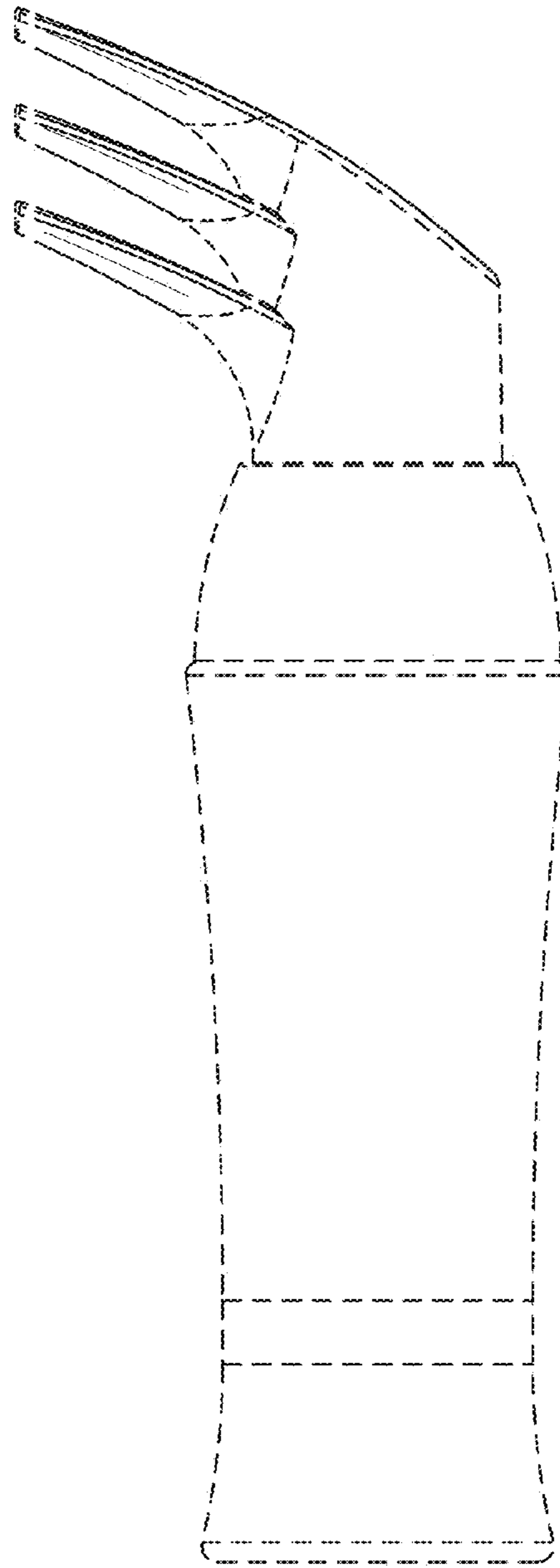


Fig. 5

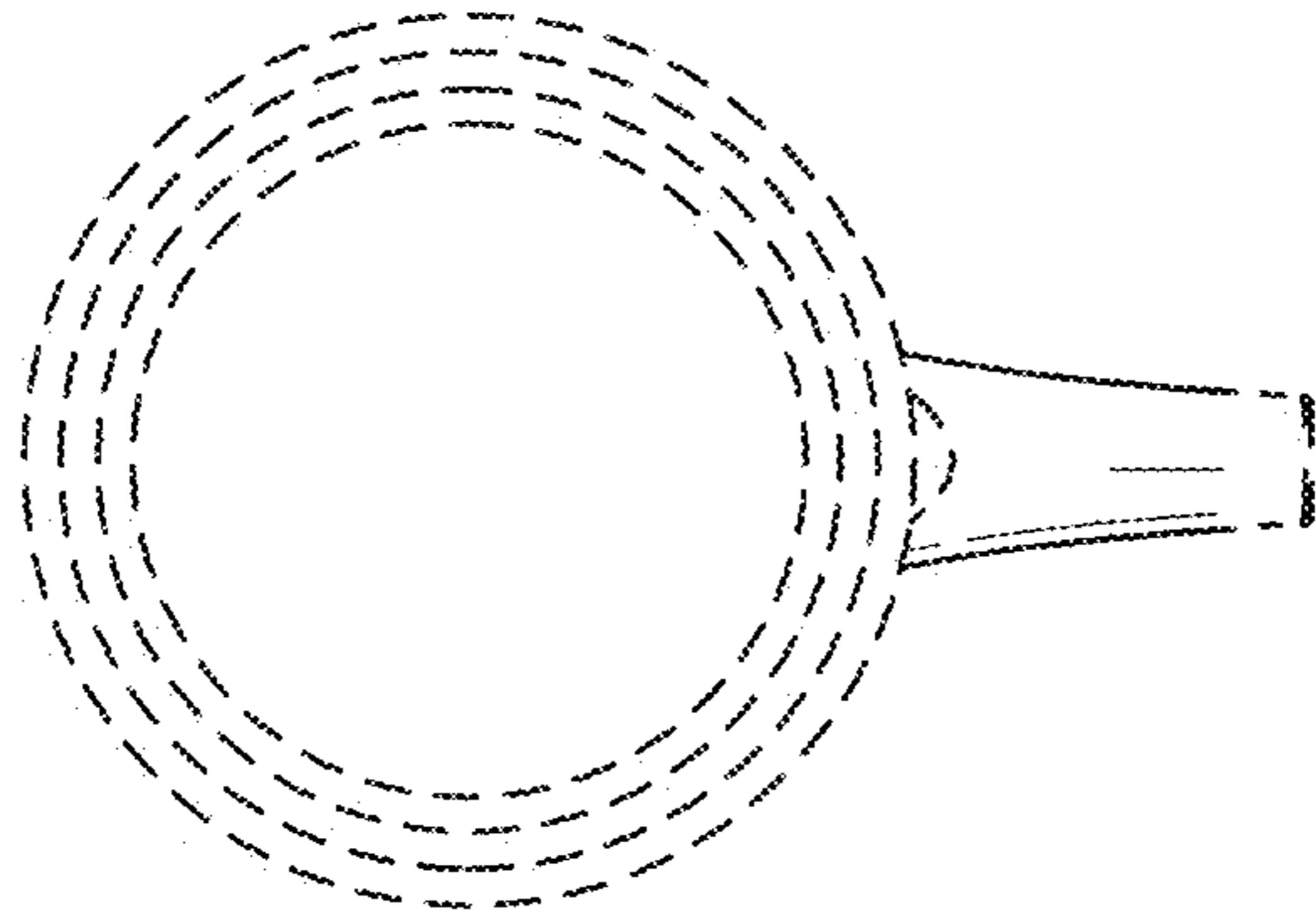


Fig. 6

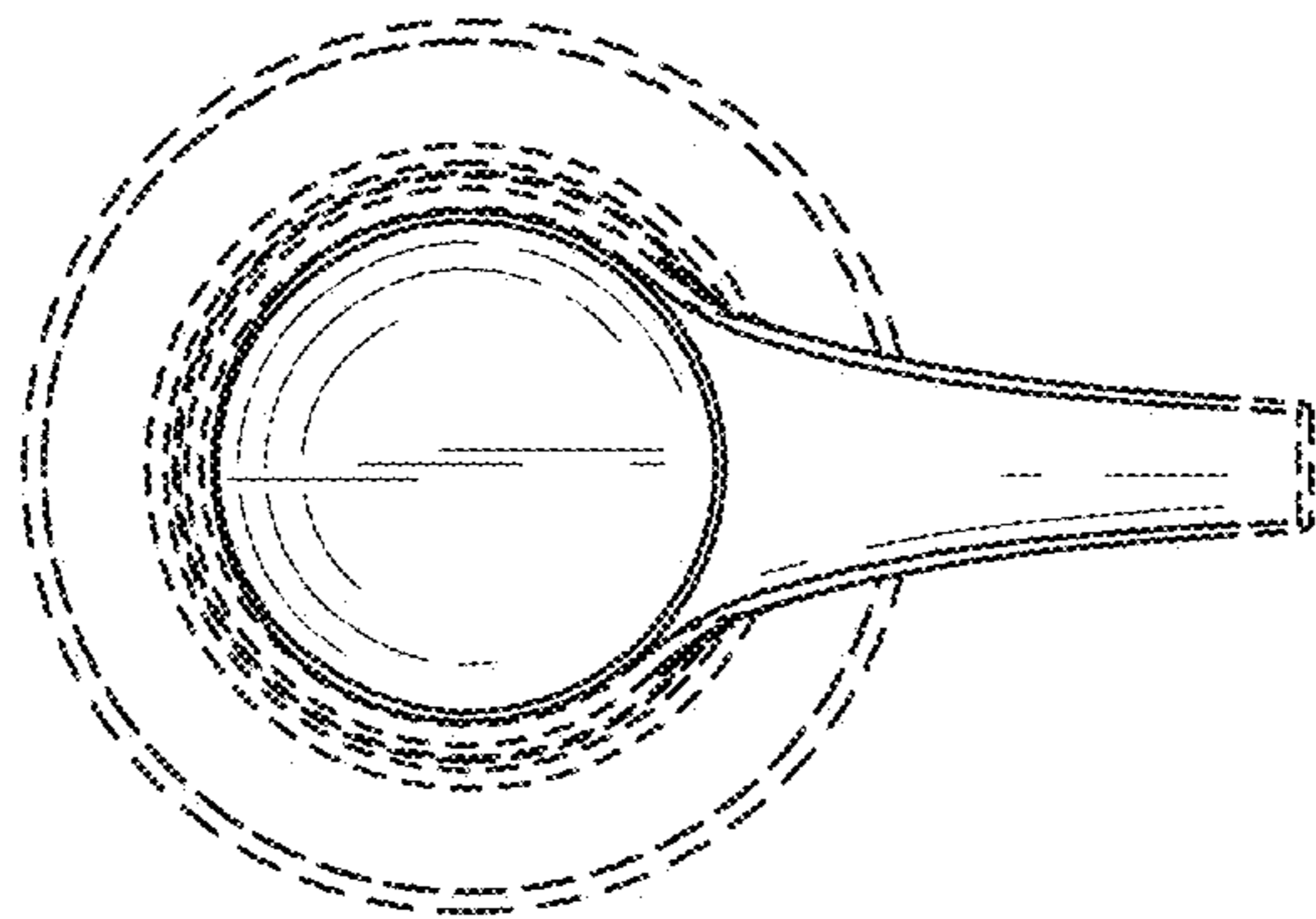


Fig. 7