



US00D746129S

(12) **United States Design Patent**
Kishida

(10) **Patent No.:** **US D746,129 S**

(45) **Date of Patent:** **** Dec. 29, 2015**

- (54) **NUT FOR MOUNTING WHEEL**
- (71) Applicant: **KYO-EI INDUSTRIAL CORPORATION**, Osaka (JP)
- (72) Inventor: **Daisaku Kishida**, Osaka (JP)
- (73) Assignee: **KYO-EI INDUSTRIAL CORPORATION**, Osaka (JP)

D522,853 S *	6/2006	Shirakawa	D8/397
7,240,927 B2 *	7/2007	Chang	F16L 37/091 285/243
D581,777 S *	12/2008	Huang	D8/397
D590,243 S *	4/2009	Bush	D8/397
D612,716 S *	3/2010	Lutz	D8/397
D648,775 S *	11/2011	Rockett	D17/22
D691,033 S *	10/2013	Allman	D8/397
D706,126 S *	6/2014	Orow	D8/397
D713,714 S *	9/2014	Kishida	D8/397

(**) Term: **14 Years**

(21) Appl. No.: **29/519,135**

(22) Filed: **Mar. 2, 2015**

(51) **LOC (10) Cl.** **08-08**

(52) **U.S. Cl.**
USPC **D8/399**

(58) **Field of Classification Search**
USPC D8/397, 394, 382, 349, 312, 107, 399;
D11/222; D2/869
CPC F16L 19/0206; B60B 3/16; B60B 29/00;
F16B 39/26; F16B 39/24; F16B 37/02;
F16B 31/02; H01R 9/0524
See application file for complete search history.

(56) **References Cited**

U.S. PATENT DOCUMENTS

D208,429 S *	8/1967	Holliday	D8/385
4,322,195 A *	3/1982	Rebish	F16B 37/14 411/431
D268,565 S *	4/1983	Mortus	D8/397
D482,761 S *	11/2003	Gotoh	D23/233
D510,259 S *	10/2005	Yoshimoto	D8/397

* cited by examiner

Primary Examiner — Cynthia Underwood
(74) *Attorney, Agent, or Firm* — Mori & Ward, LLP

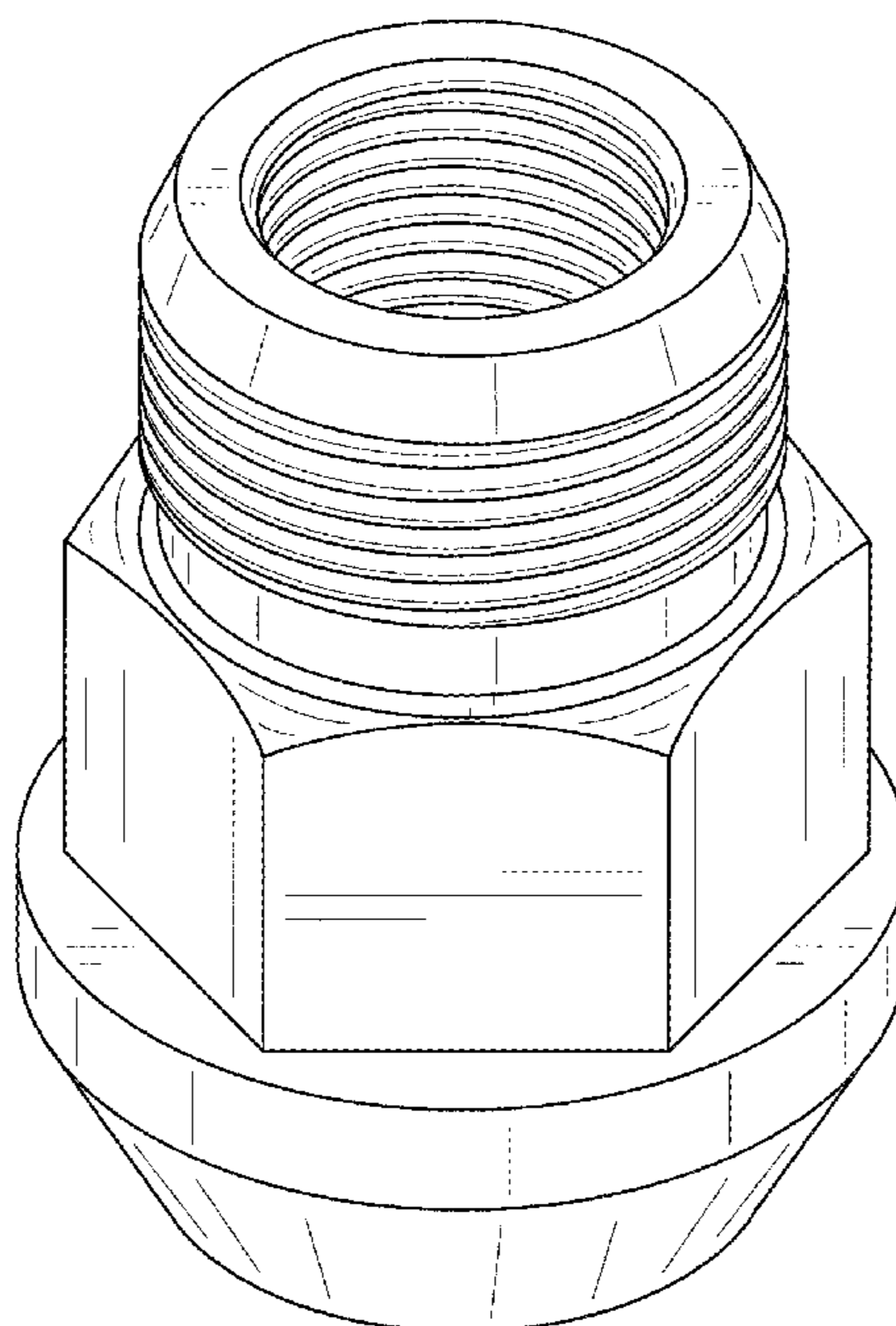
(57) **CLAIM**

The ornamental design for a nut for mounting wheel, as shown and described.

DESCRIPTION

FIG. 1 is a top and front perspective view of a nut for mounting wheel, showing my design;
FIG. 2 is a front elevational view thereof;
FIG. 3 is a rear elevational view thereof;
FIG. 4 is a left side elevational view thereof;
FIG. 5 is a right side elevational view thereof;
FIG. 6 is a top plan view thereof;
FIG. 7 is a bottom view thereof; and,
FIG. 8 is a cross-sectional view thereof taken along lines 8-8 in FIG. 6.
Portions of the disclosure shown in broken lines form no part of the claimed design.

1 Claim, 8 Drawing Sheets



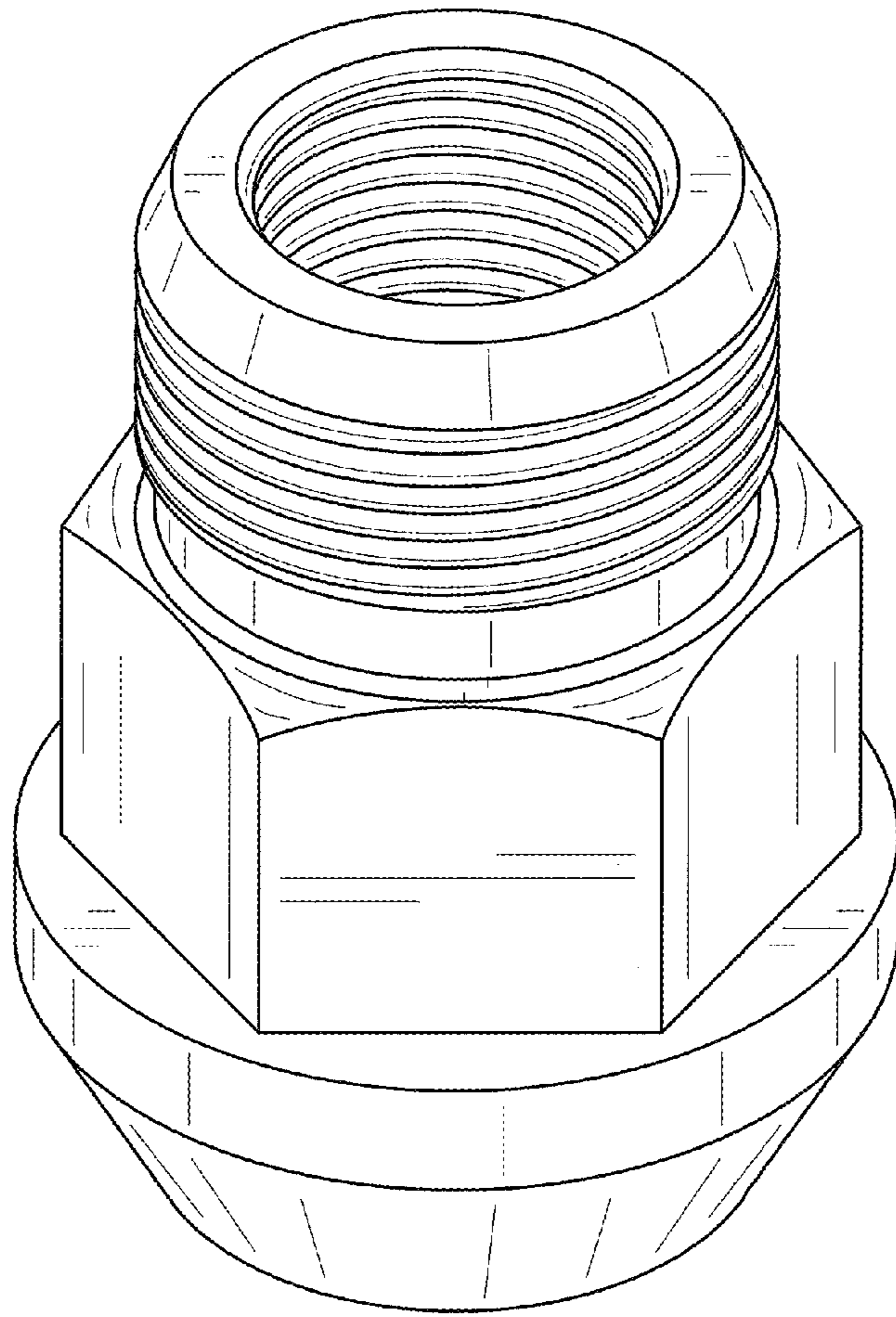


FIG. 1

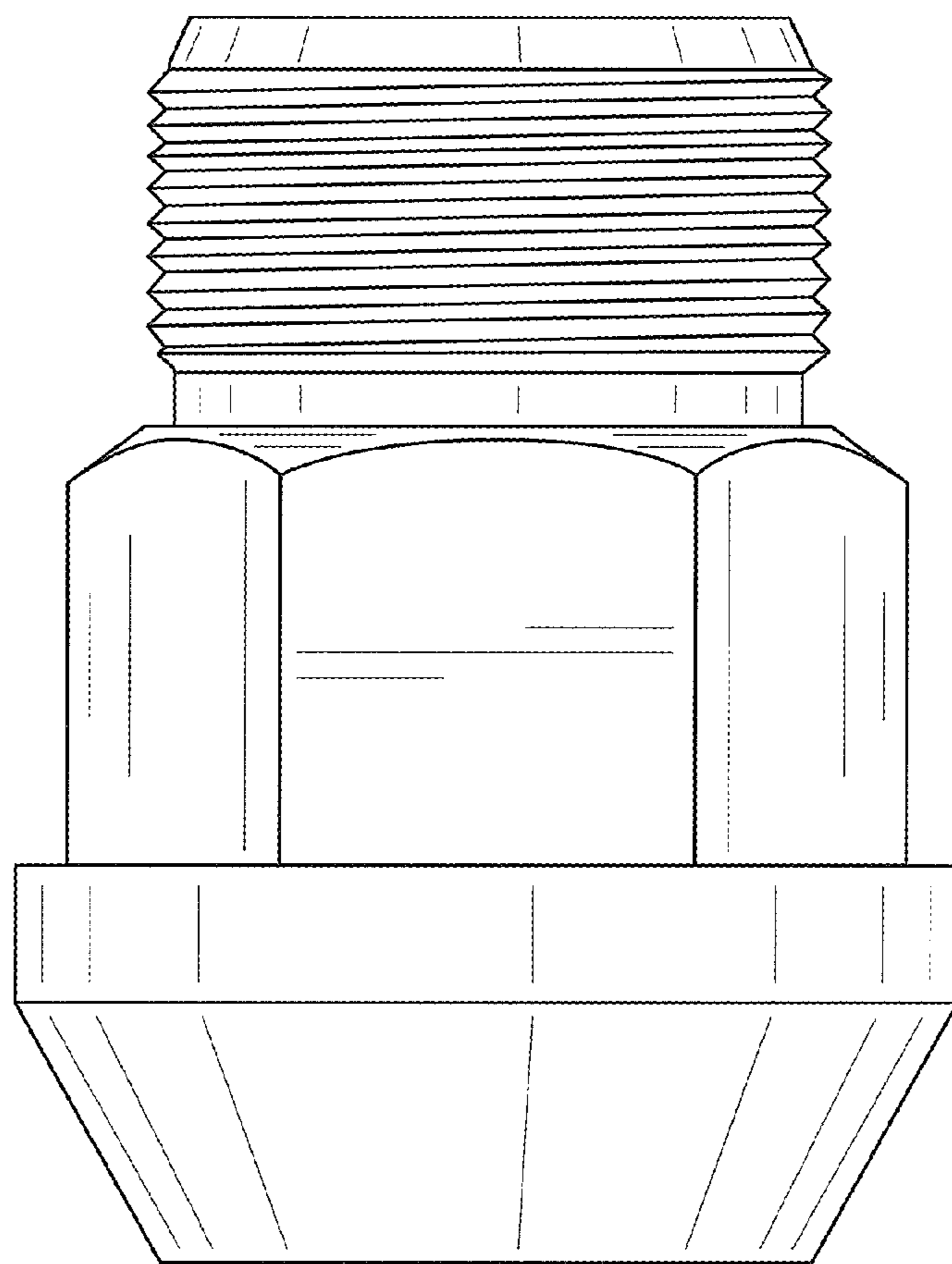


FIG. 2

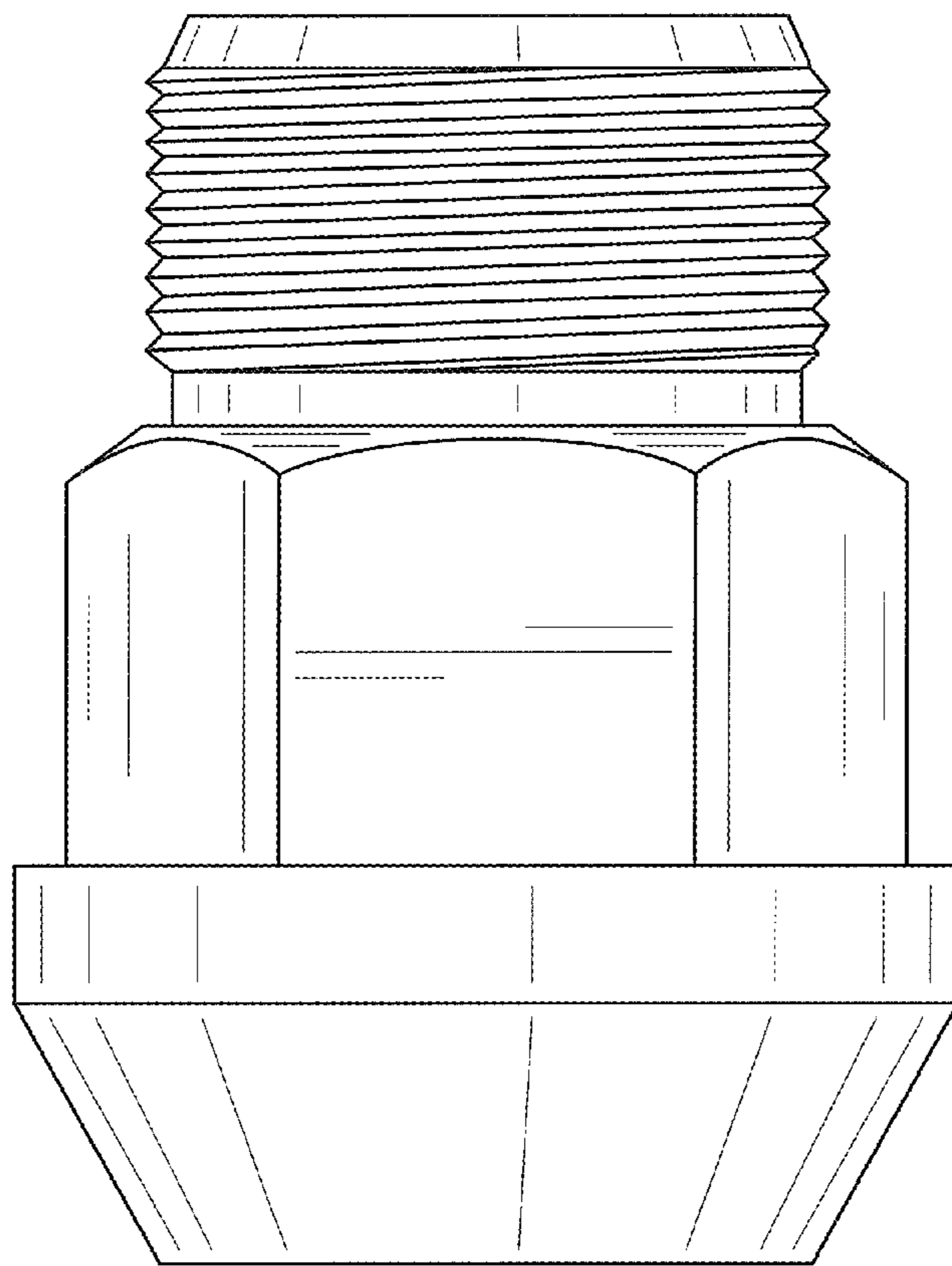


FIG. 3

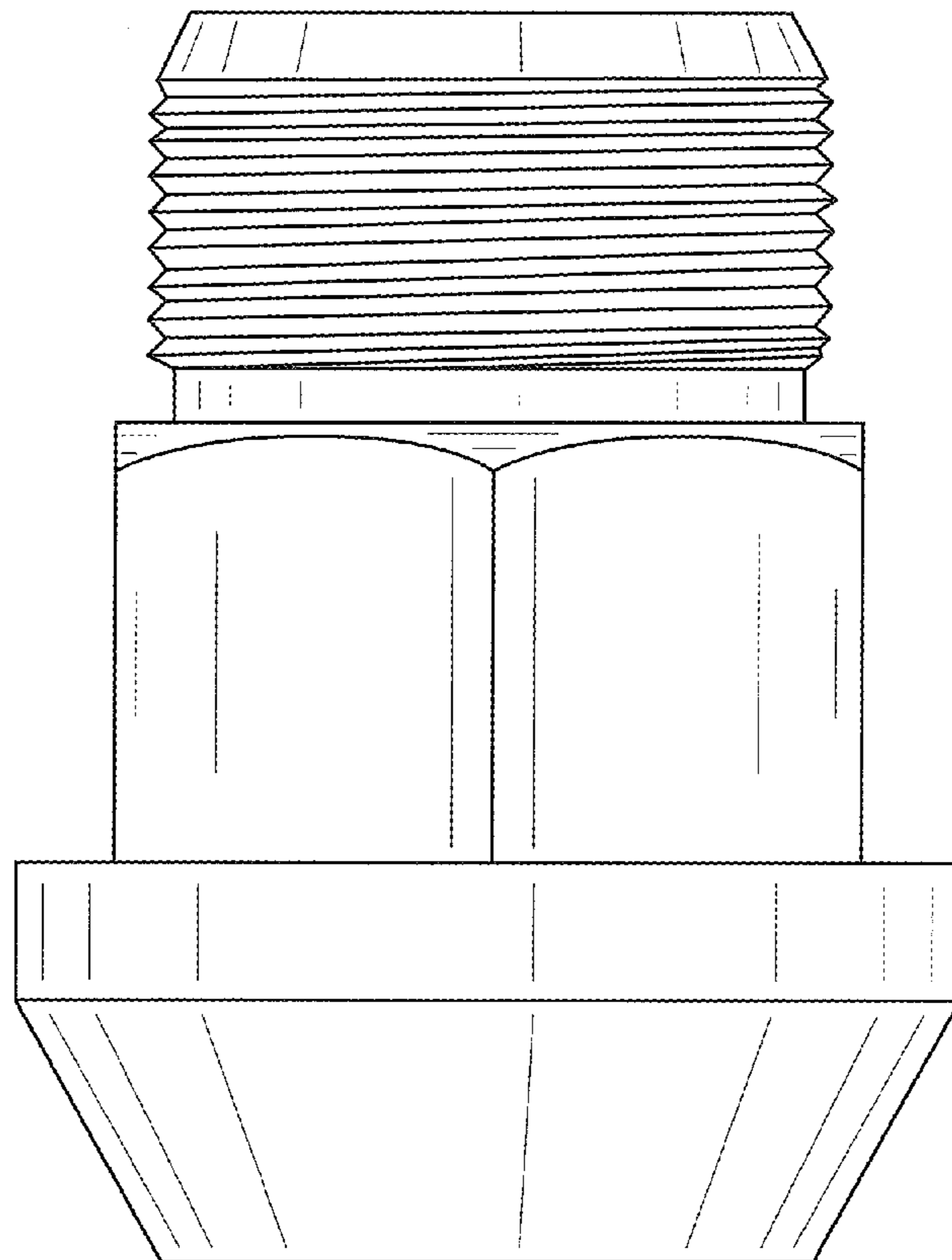


FIG. 4

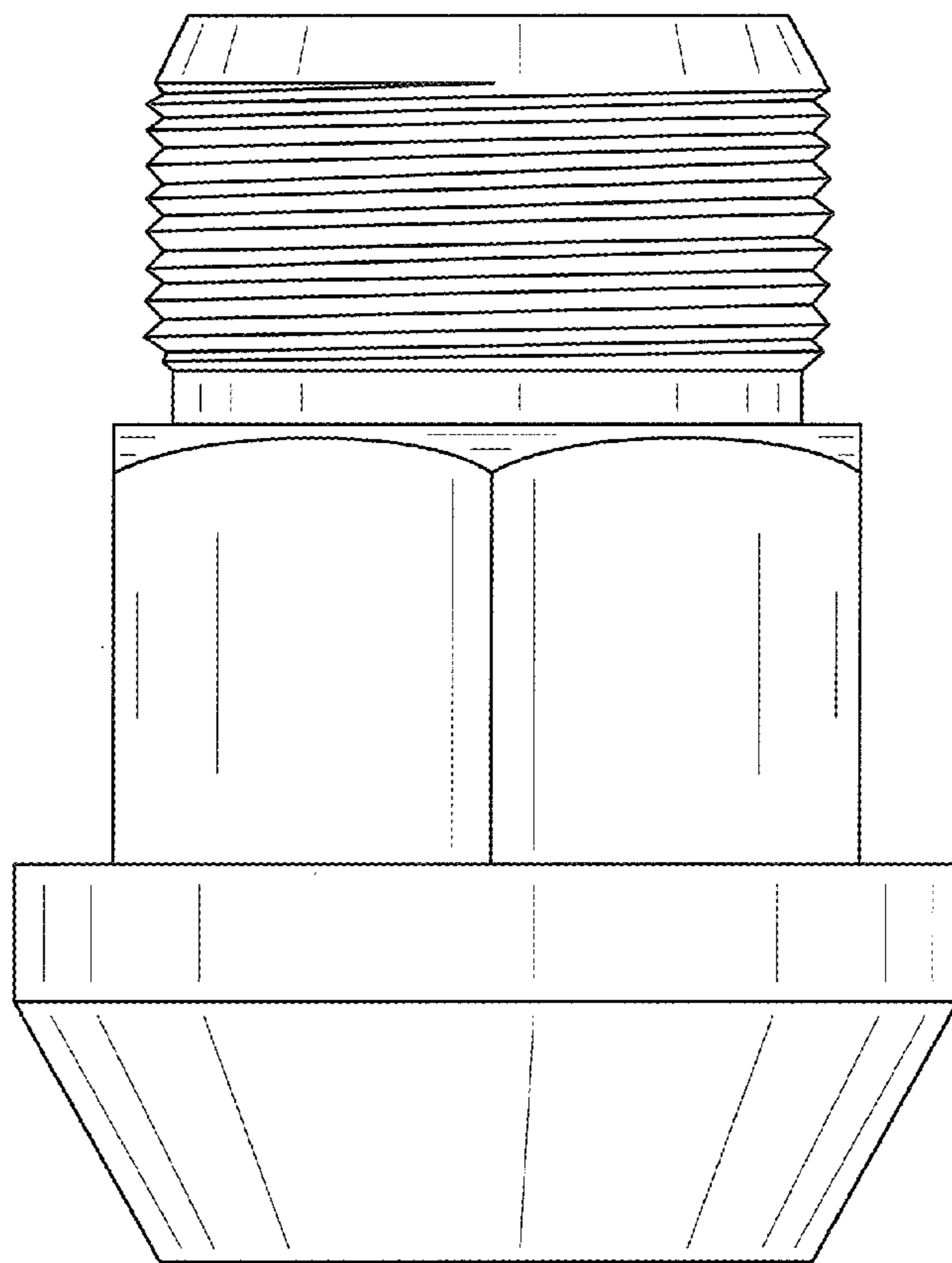


FIG. 5

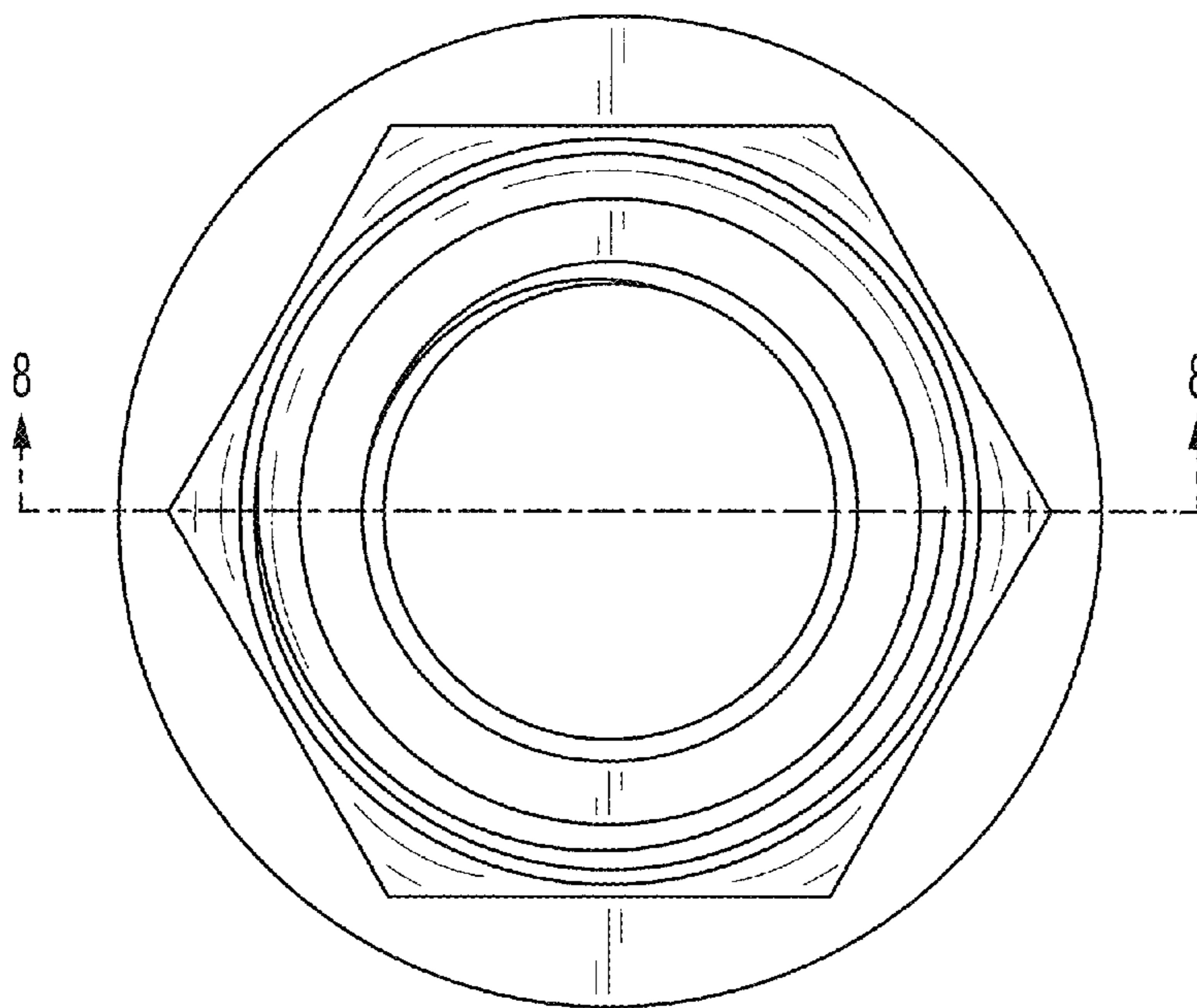


FIG. 6

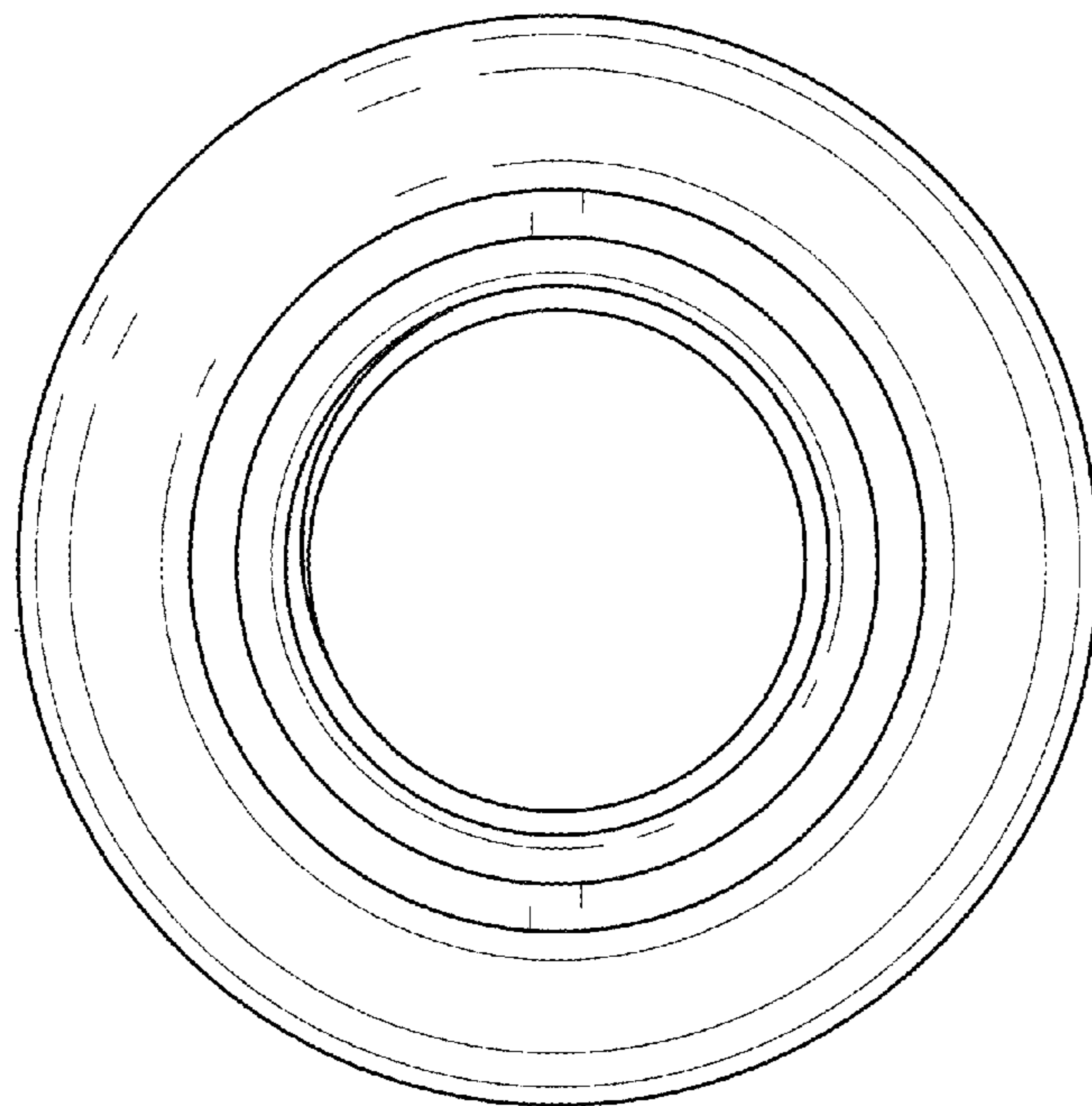


FIG. 7

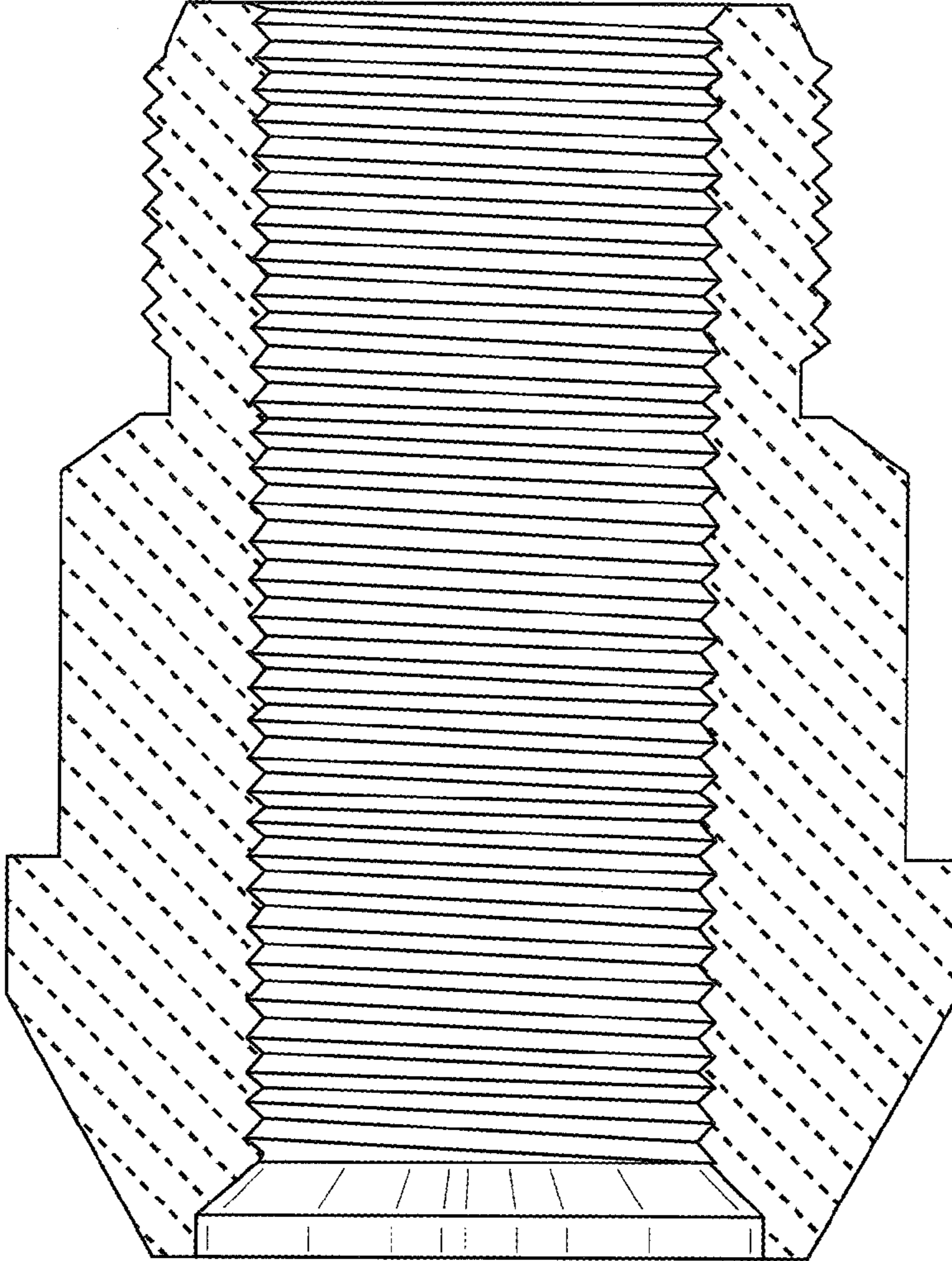


FIG. 8