



US00D746128S

(12) **United States Design Patent**
Stanton

(10) **Patent No.:** **US D746,128 S**

(45) **Date of Patent:** **** Dec. 29, 2015**

- (54) **PAIR OF MOUNTING BRACKETS**
- (71) Applicant: **HAMPTON PRODUCTS INTERNATIONAL CORPORATION**,
Foothill Ranch, CA (US)
- (72) Inventor: **Lucas Jeffrey Stanton**, Stone Lake, WI (US)
- (73) Assignee: **HAMPTON PRODUCTS INTERNATIONAL CORPORATION**,
Foothill Ranch, CA (US)

(**) Term: **14 Years**

(21) Appl. No.: **29/509,935**

(22) Filed: **Nov. 21, 2014**

(51) **LOC (10) Cl.** **08-05**

(52) **U.S. Cl.**
USPC **D8/380**

(58) **Field of Classification Search**
 USPC D8/16, 18, 19, 20, 105, 356, 363, 366,
 D8/370-377, 380-382
 CPC Y10T 16/56; Y10T 16/27; Y10T 16/61;
 Y10T 16/304; Y10T 16/62; E05Y 2900/132;
 E05Y 2201/412; E05Y 2201/424; E05Y
 2201/426; E05Y 2600/10; E05Y 2600/626;
 E05Y 2800/17; E05Y 2800/37; E05F 3/20;
 B60K 15/05; B60K 2015/0546

See application file for complete search history.

(56) **References Cited**

U.S. PATENT DOCUMENTS

- 3,888,445 A * 6/1975 Pence E05F 3/00
16/66
- 5,152,487 A * 10/1992 Defatte E05F 3/22
16/66

- 6,397,431 B1 * 6/2002 Alonso E05F 3/108
16/66
- 6,634,059 B2 * 10/2003 Seiferd E05F 3/108
16/66
- 6,640,387 B2 * 11/2003 Alonso E05F 3/108
16/66
- D605,496 S * 12/2009 Scheuermann D8/349

* cited by examiner

Primary Examiner — Robert M Spear

Assistant Examiner — Eliza Bennett-Hattan

(74) *Attorney, Agent, or Firm* — Klein, O'Neill & Singh, LLP

(57) **CLAIM**

The ornamental design for a pair of mounting brackets, as shown.

DESCRIPTION

FIG. 1 is a perspective view, taken from the front, top, and left side, of a pair of mounting brackets, in accordance with my new design;

FIG. 2 is a front elevational view of the pair of mounting brackets shown in FIG. 1;

FIG. 3 is a rear elevational view of the pair of mounting brackets shown in FIG. 1;

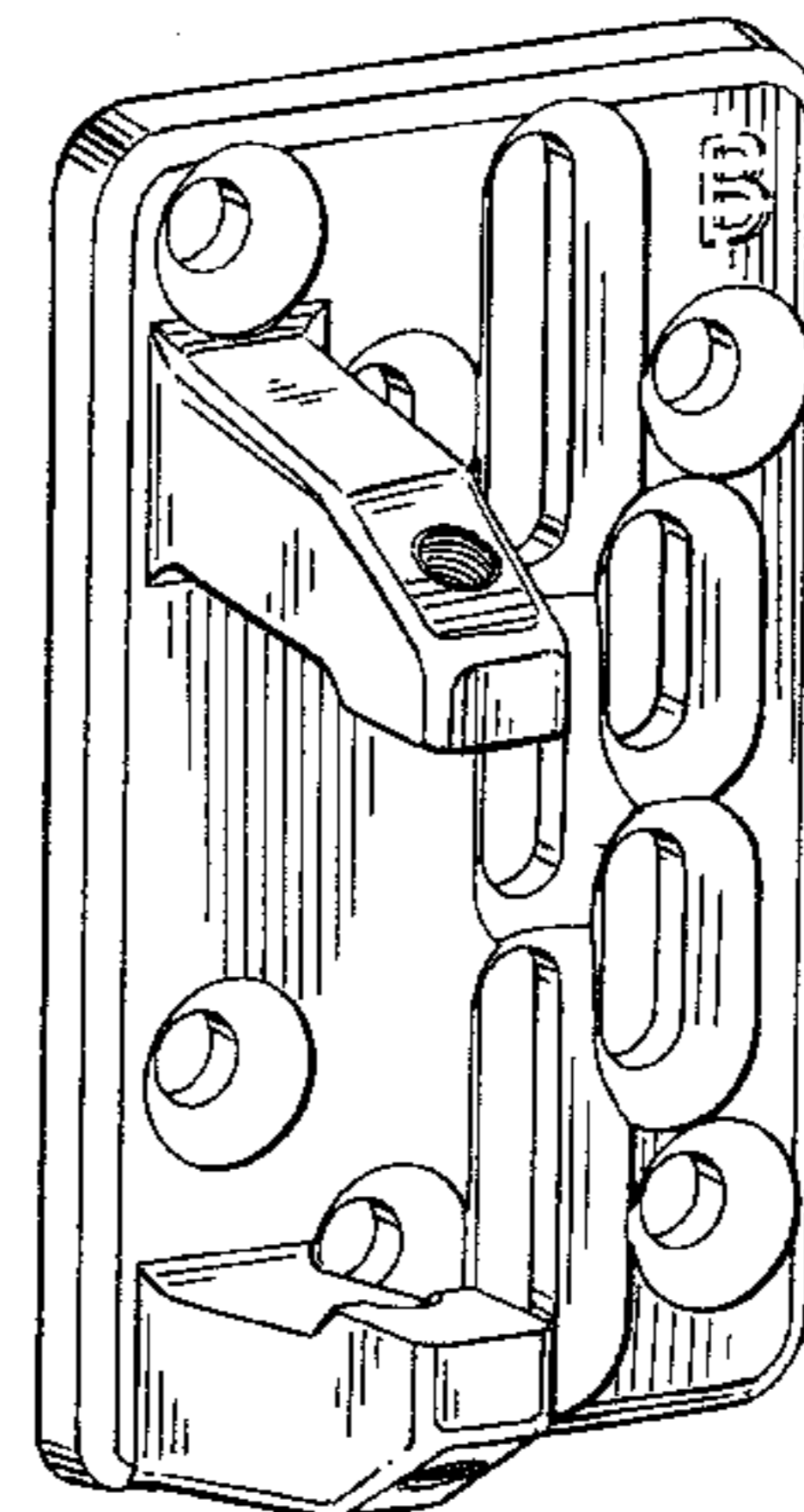
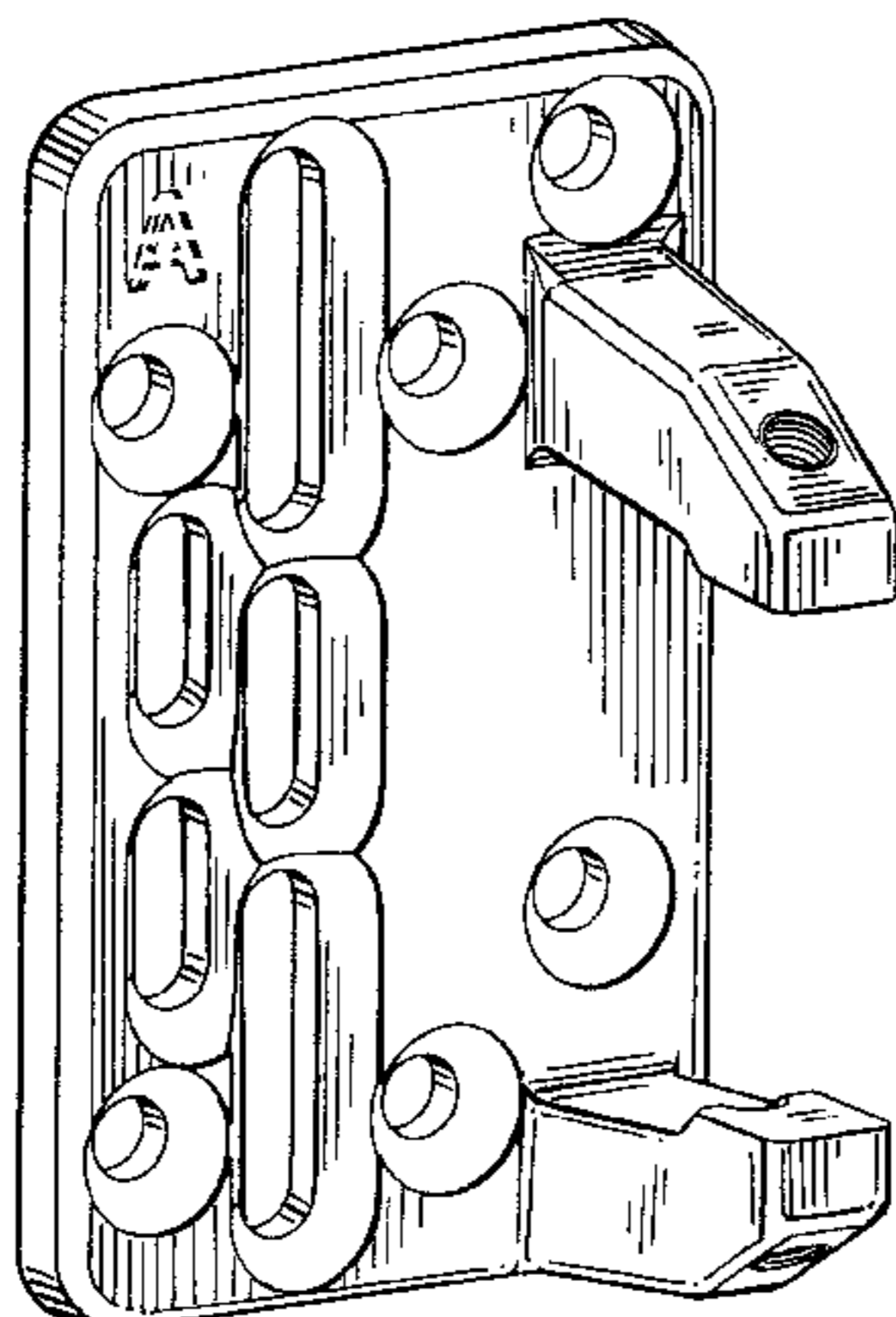
FIG. 4 is a top plan view of the pair of mounting brackets shown in FIG. 1;

FIG. 5 is a bottom plan view of the pair of mounting brackets shown in FIG. 1;

FIG. 6 is a side elevational view of the pair of mounting brackets shown in FIG. 1, taken from the right side of FIG. 1; and,

FIG. 7 is a side elevational view of the pair of mounting brackets shown in FIG. 1, taken from the left side of FIG. 1. Broken lines are for illustrative purpose only and form no part of the claimed design.

1 Claim, 6 Drawing Sheets



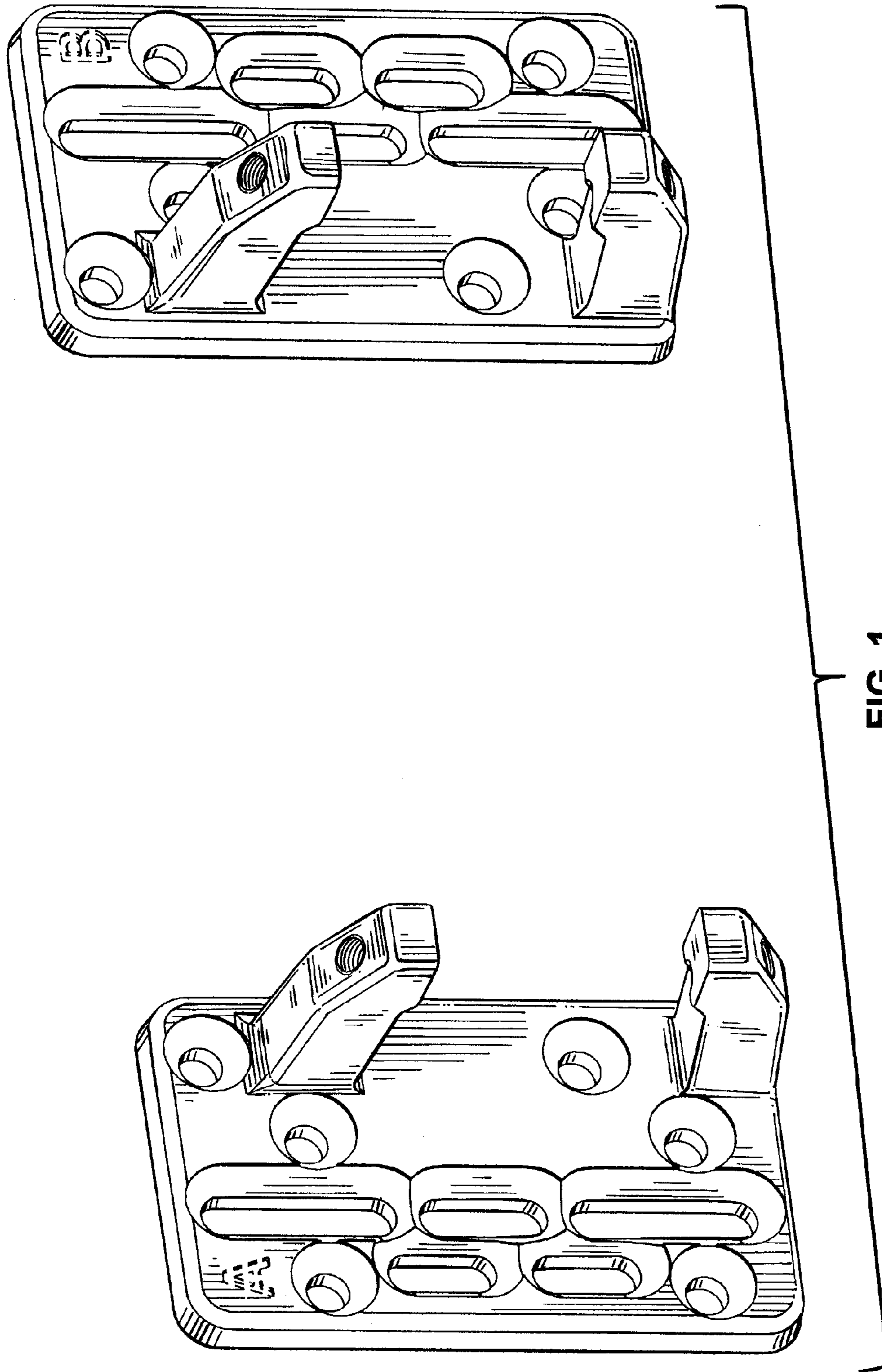


FIG. 1

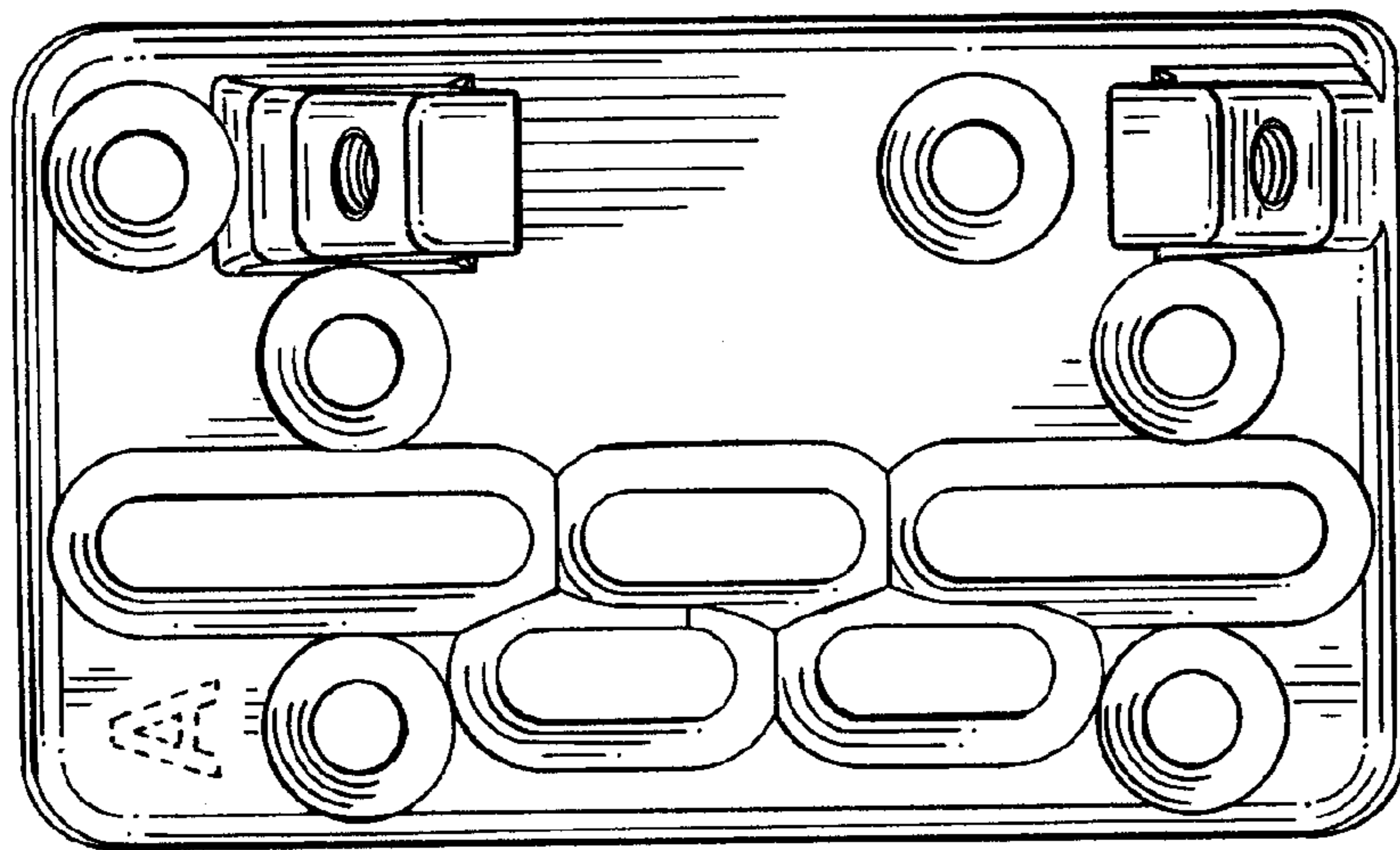
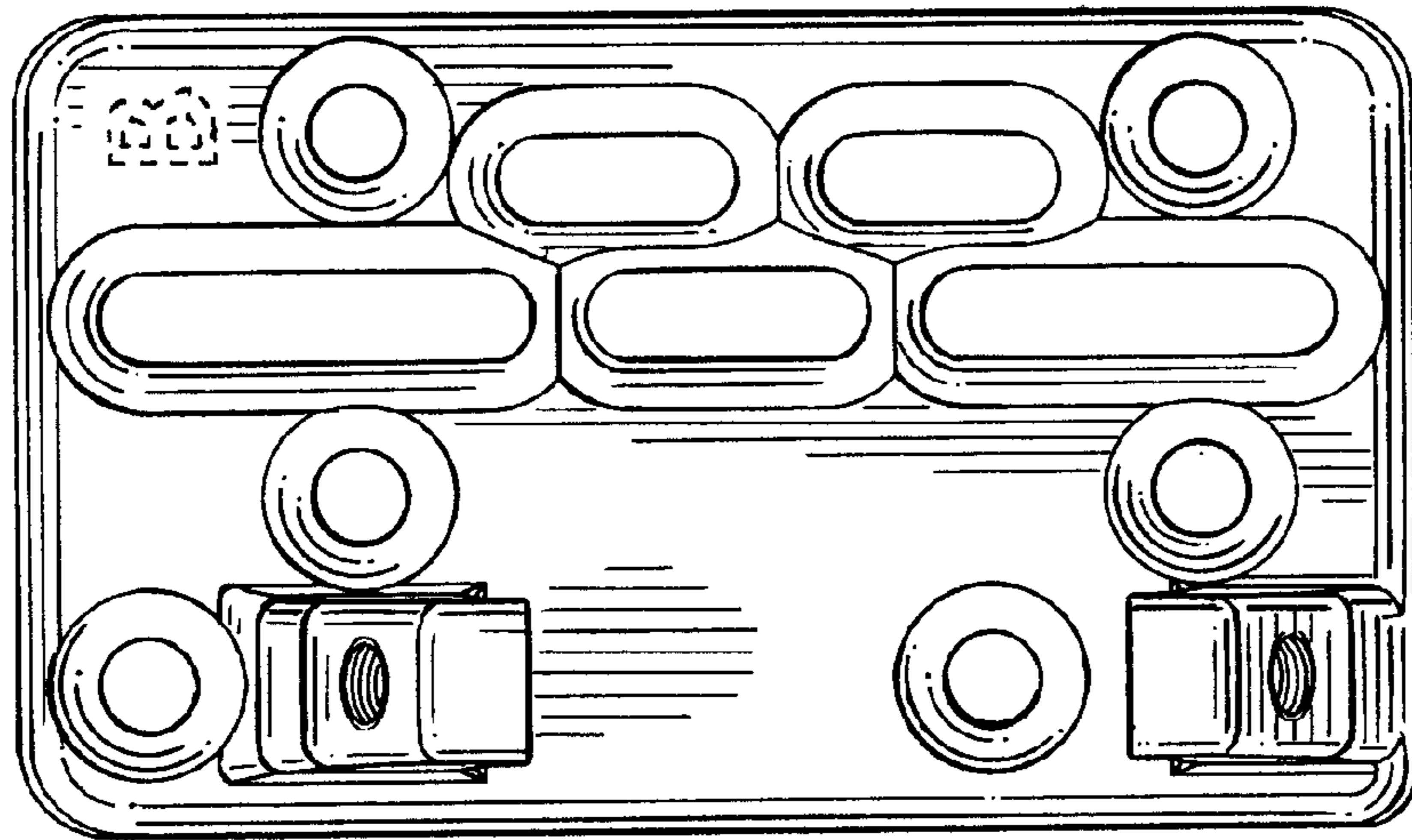
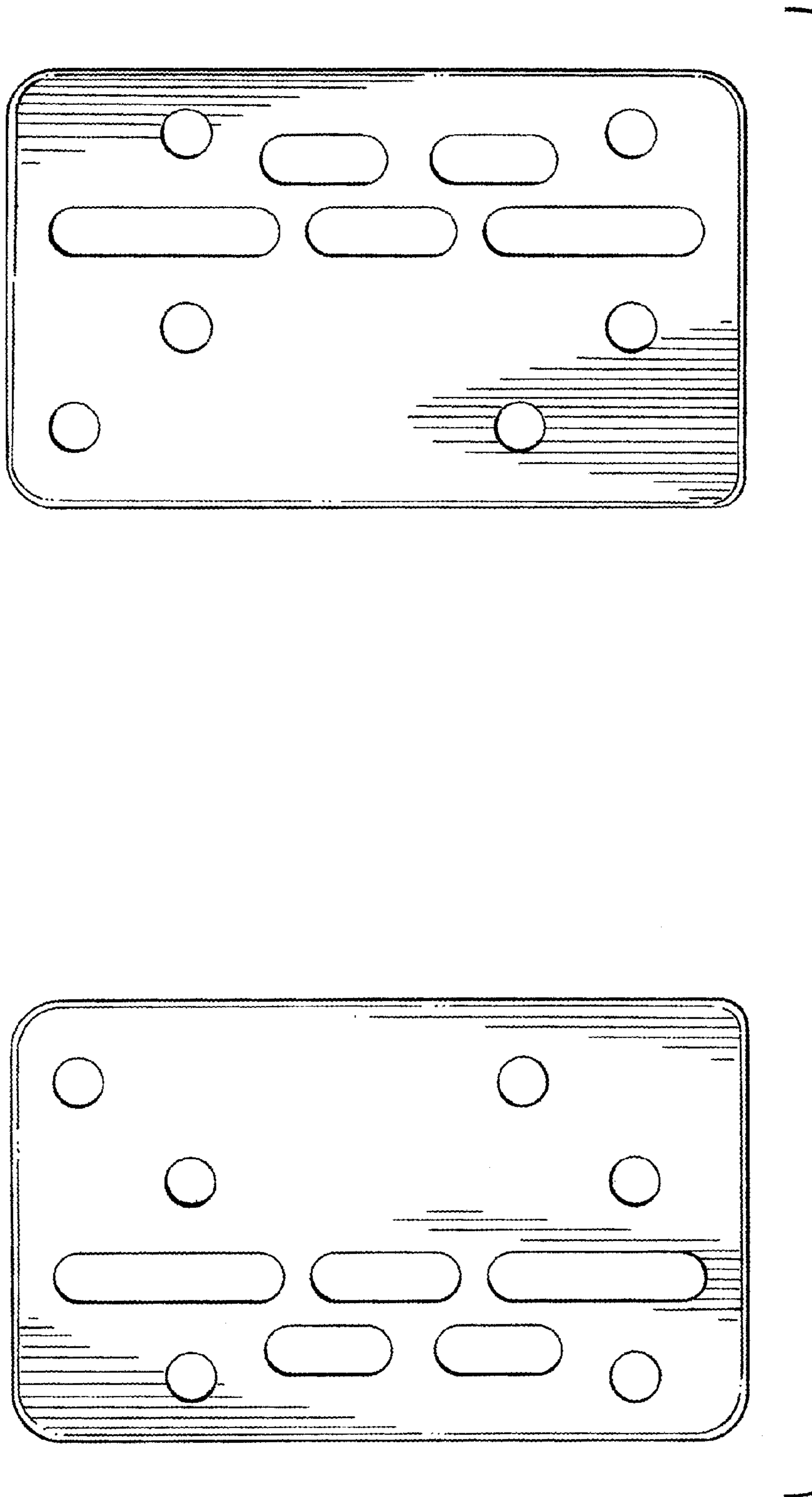


FIG. 2



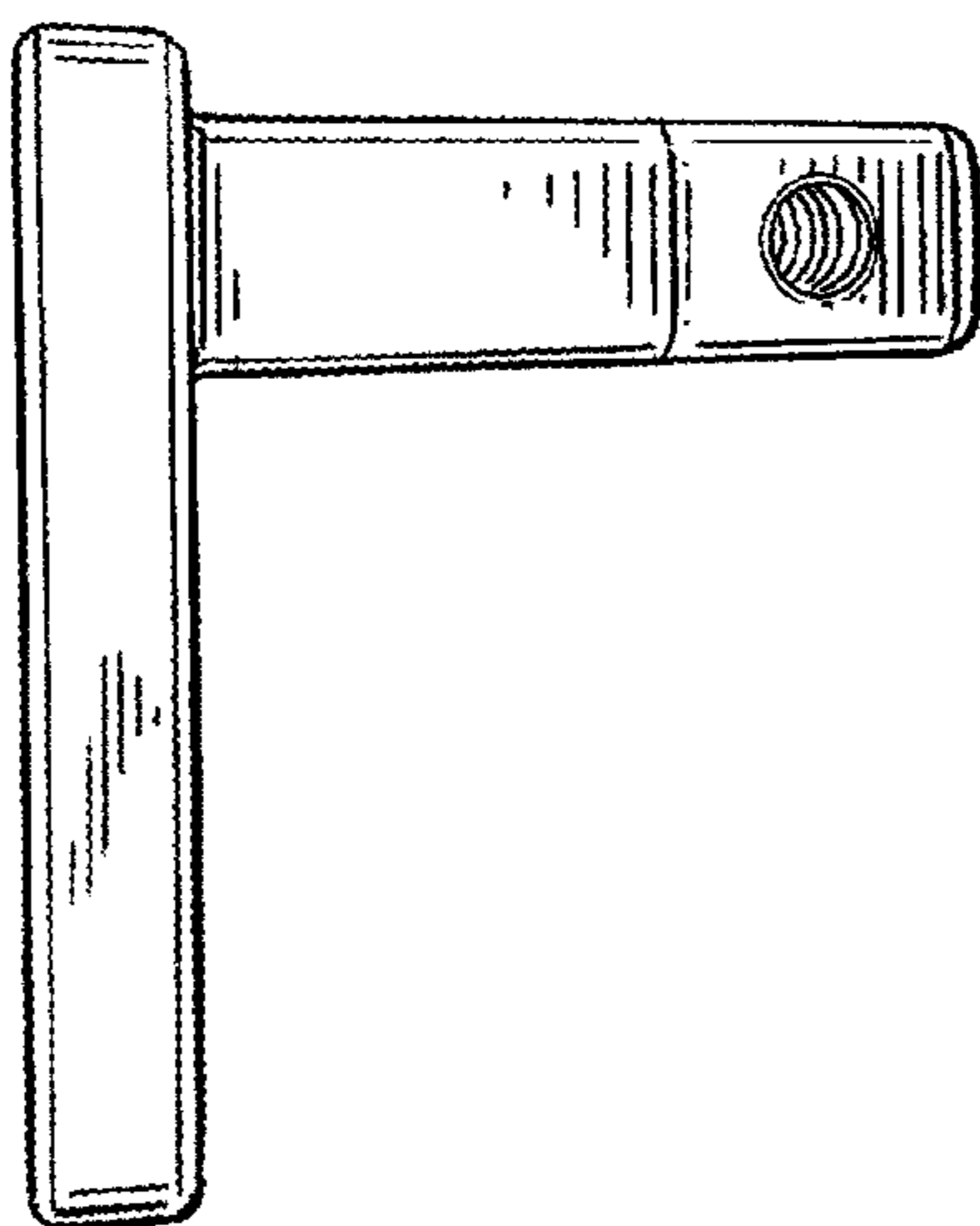
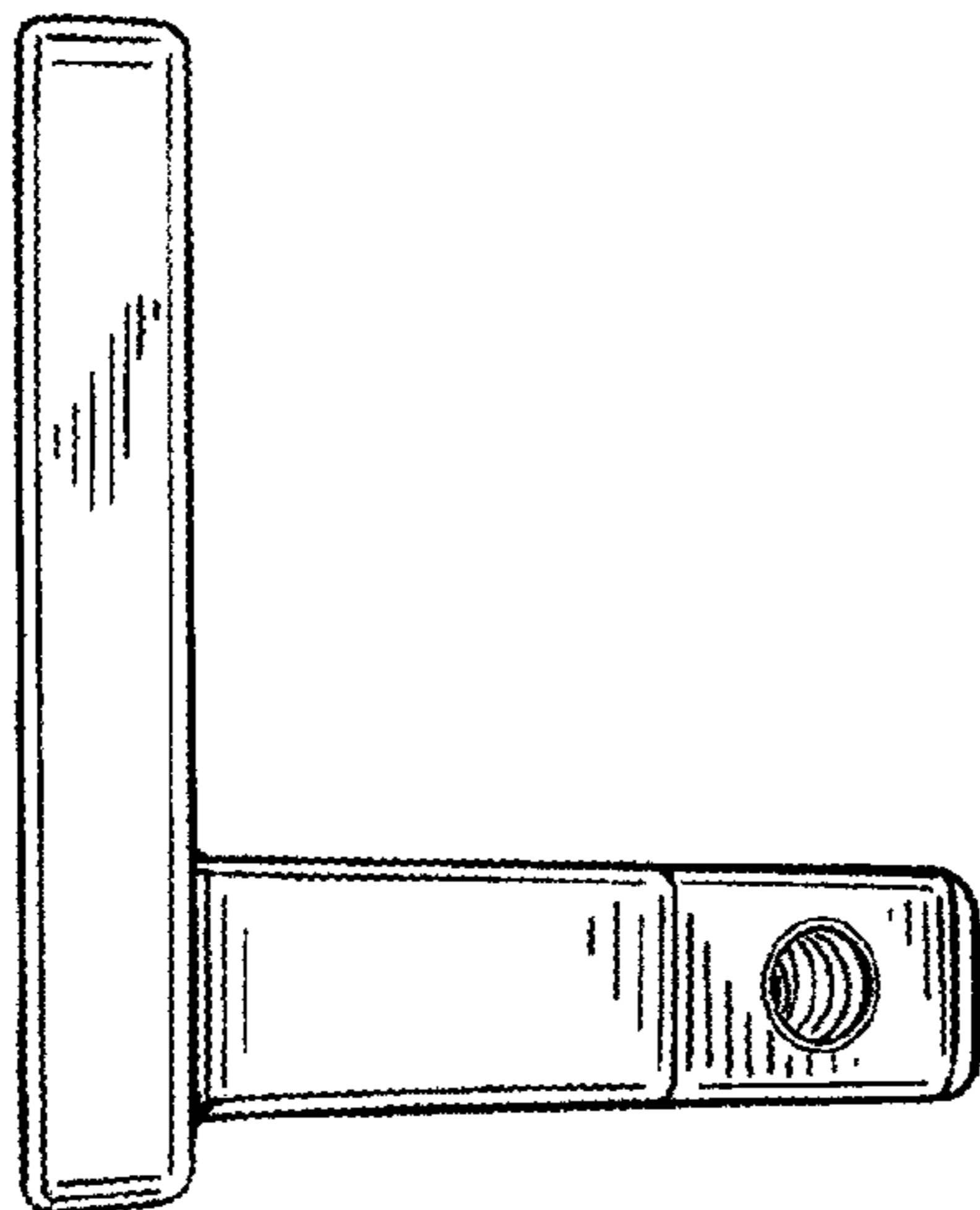


FIG. 4



FIG. 5

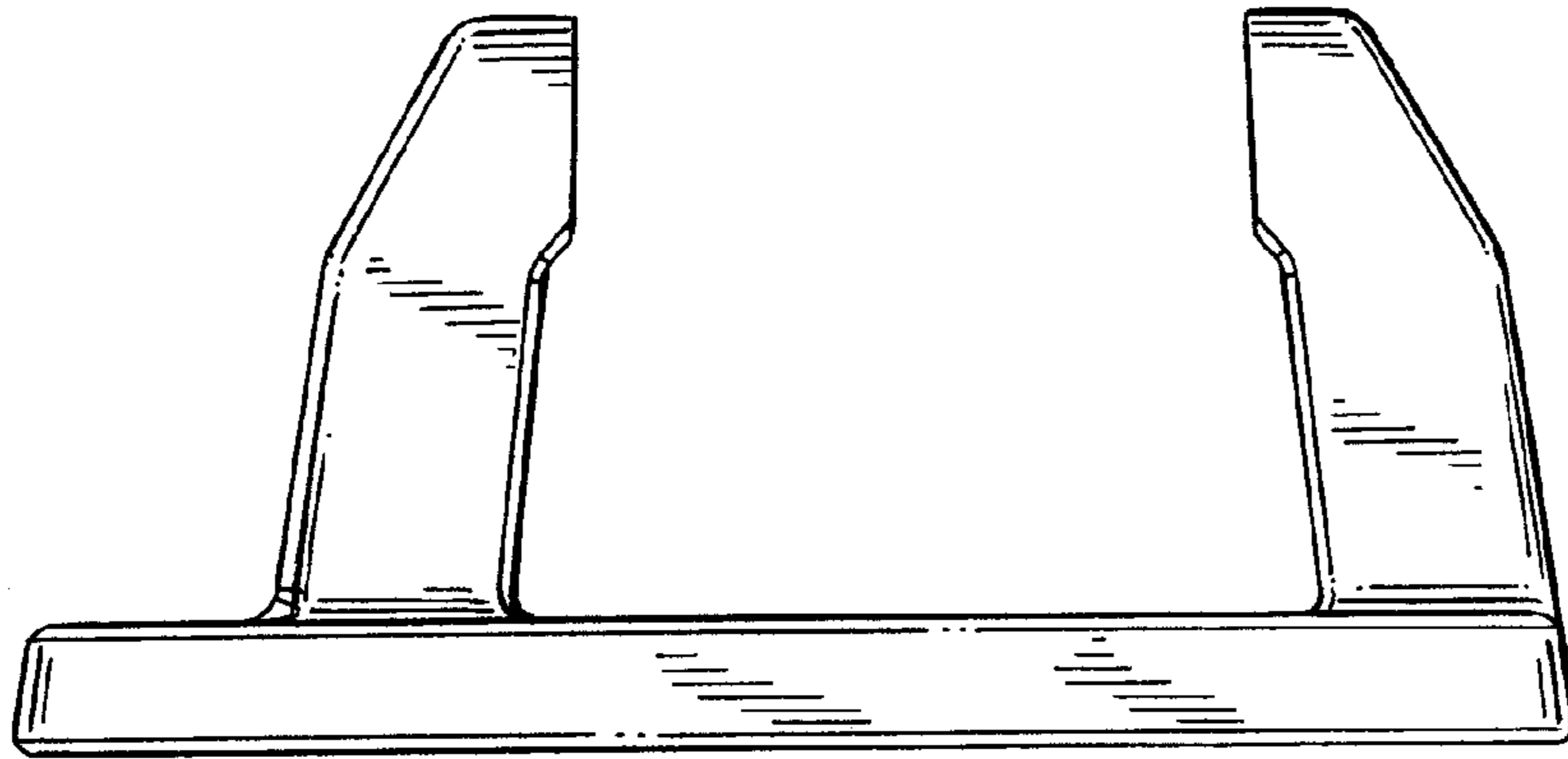


FIG. 7

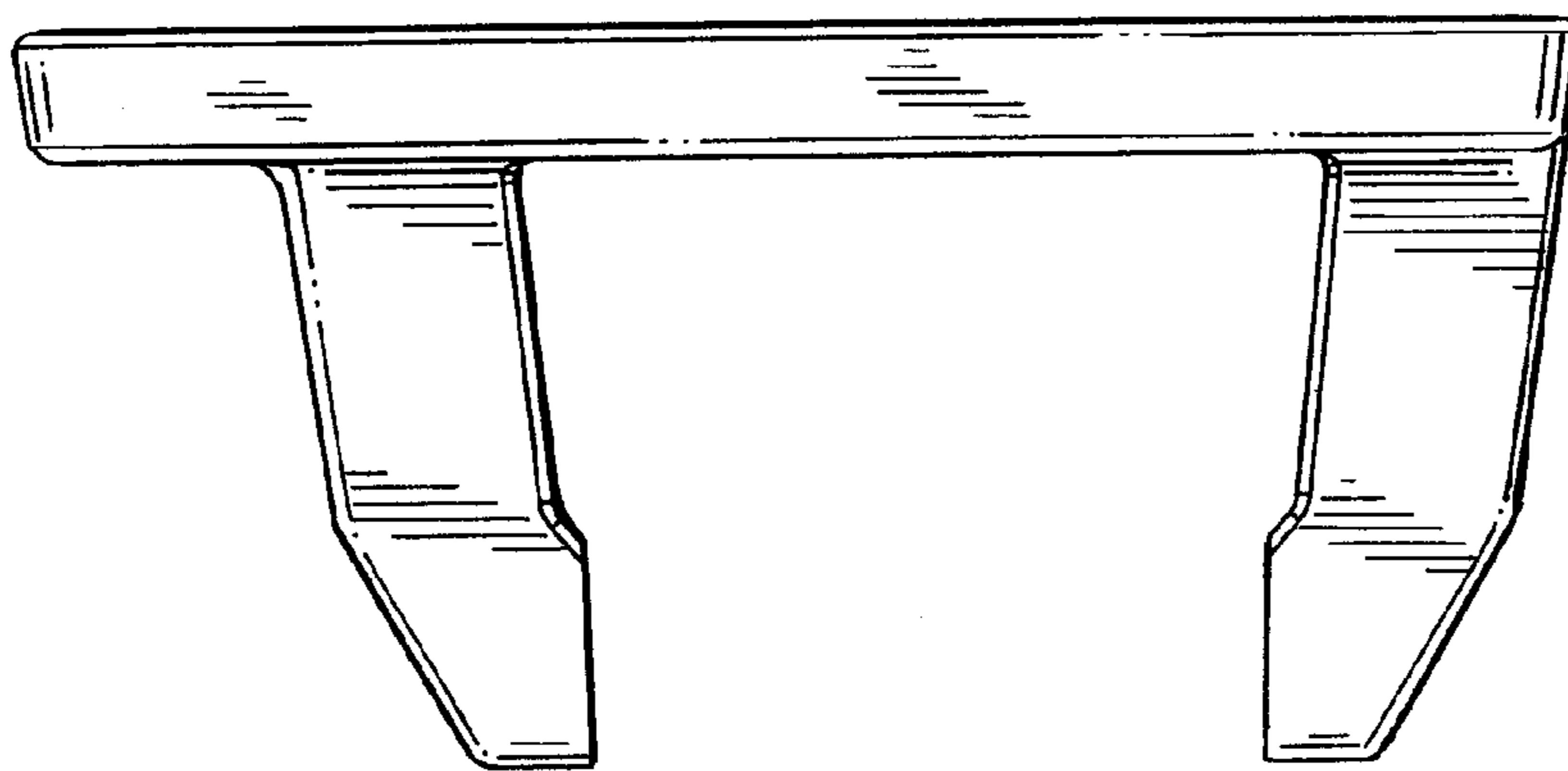


FIG. 6