



US00D746126S

(12) **United States Design Patent**
LeBeau

(10) **Patent No.:** **US D746,126 S**

(45) **Date of Patent:** **** Dec. 29, 2015**

(54) **CARABINEER TENSIONING DEVICE**

(71) Applicant: **Mark LeBeau**, Logan, UT (US)

(72) Inventor: **Mark LeBeau**, Logan, UT (US)

(73) Assignee: **Nite Ize, Inc.**, Boulder, CO (US)

(**) Term: **14 Years**

(21) Appl. No.: **29/489,580**

(22) Filed: **Apr. 30, 2014**

(51) **LOC (10) Cl.** **08-05**

(52) **U.S. Cl.**
USPC **D8/367**

(58) **Field of Classification Search**
USPC D8/367, 356, 349; D6/323; 248/301
CPC F16B 2/00; A63B 27/00
See application file for complete search history.

(56) **References Cited**

U.S. PATENT DOCUMENTS

D271,465	S	*	11/1983	Boissonnet	D8/367
D272,717	S	*	2/1984	Faidide	D8/367
D282,904	S	*	3/1986	Faidide	D8/367
5,257,441	A	*	11/1993	Barlow	24/599.5
5,538,303	A	*	7/1996	Dunham	294/82.31
D455,642	S	*	4/2002	Kelleghan	D8/367
D468,997	S	*	1/2003	Chang	D8/356
D485,431	S	*	1/2004	Hsu	D3/210
D520,345	S	*	5/2006	Kelleghan	D8/356
D521,362	S	*	5/2006	Kelleghan	D8/356
D572,099	S	*	7/2008	Fontaine et al.	D8/44
D573,875	S	*	7/2008	Anderson	D8/367
D650,260	S	*	12/2011	Petzl	D8/356
D658,487	S	*	5/2012	Chih	D8/360
D687,700	S	*	8/2013	Petzl	D8/360
D702,110	S	*	4/2014	Gobbi	D8/356
D708,931	S	*	7/2014	Petzl	D8/356
D722,487	S	*	2/2015	Miller	D8/356

D730,159	S	*	5/2015	Grimm et al.	D8/356
D730,722	S	*	6/2015	Grimm et al.	D8/356
D735,559	S	*	8/2015	Liang et al.	D8/356
2002/0050032	A1	*	5/2002	Carnall	24/600.2
2006/0096067	A1	*	5/2006	Fontaine et al.	24/130
2007/0119653	A1	*	5/2007	Brown et al.	182/36
2009/0114893	A1	*	5/2009	Lange	254/390

* cited by examiner

Primary Examiner — Cynthia Underwood

(74) *Attorney, Agent, or Firm* — Haynes and Boone, LLP

(57) **CLAIM**

The ornamental design for a carabineer tensioning device, as shown and described.

DESCRIPTION

FIG. 1 is a front right perspective view of a carabineer tensioning device;
 FIG. 2 is a rear right perspective view of the carabineer tensioning device of FIG. 1;
 FIG. 3 is a front left perspective view of the carabineer tensioning device of FIG. 1;
 FIG. 4 is a rear left perspective view of the carabineer tensioning device of FIG. 1;
 FIG. 5 is a left view of the carabineer tensioning device of FIG. 1;
 FIG. 6 is a right view of the carabineer tensioning device of FIG. 1;
 FIG. 7 is a front view of the carabineer tensioning device of FIG. 1;
 FIG. 8 is a rear view of the carabineer tensioning device of FIG. 1;
 FIG. 9 is a top view of the carabineer tensioning device of FIG. 1; and,
 FIG. 10 is a bottom view of the carabineer tensioning device of FIG. 1.

1 Claim, 8 Drawing Sheets

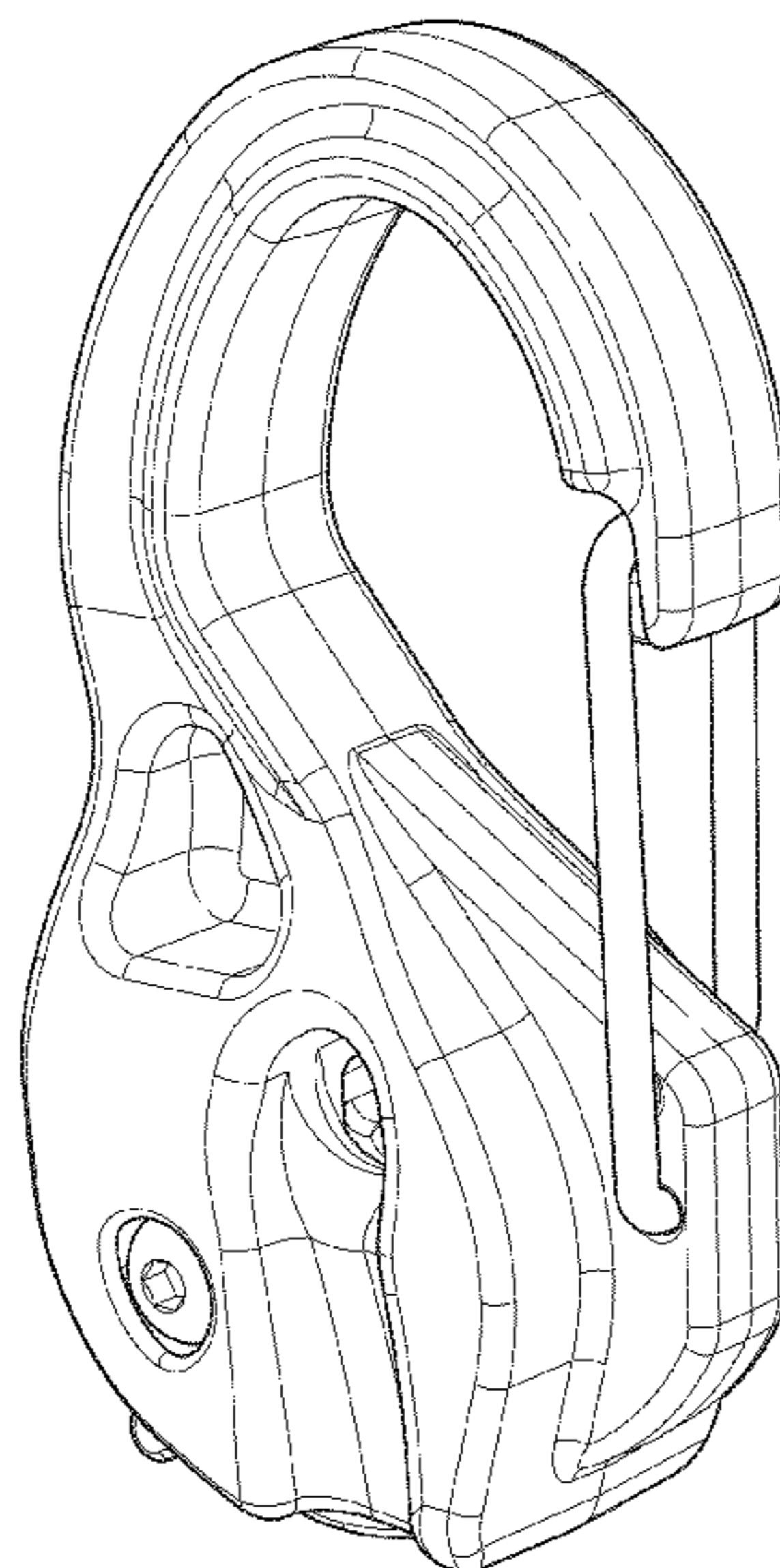


FIG. 1

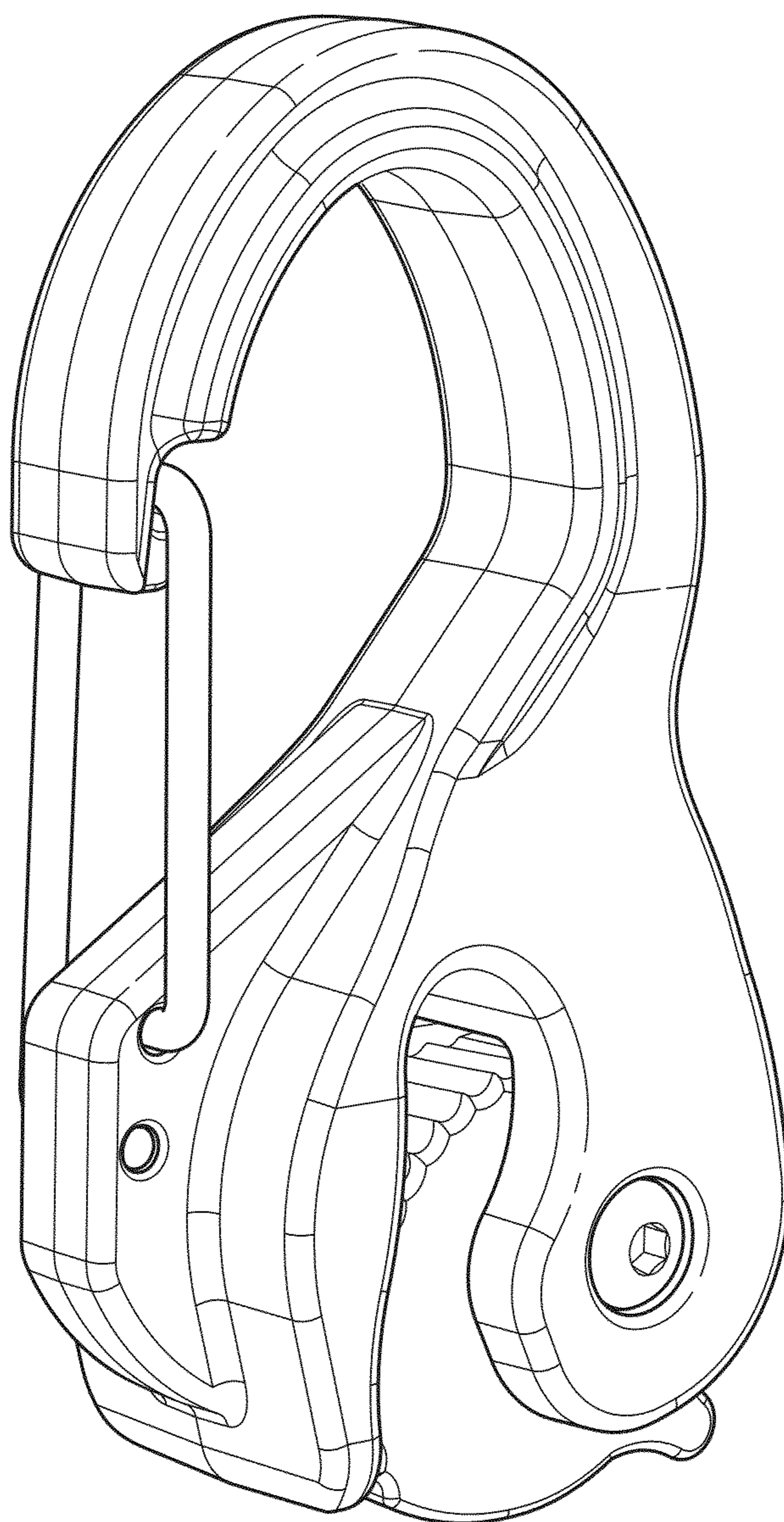


FIG. 2

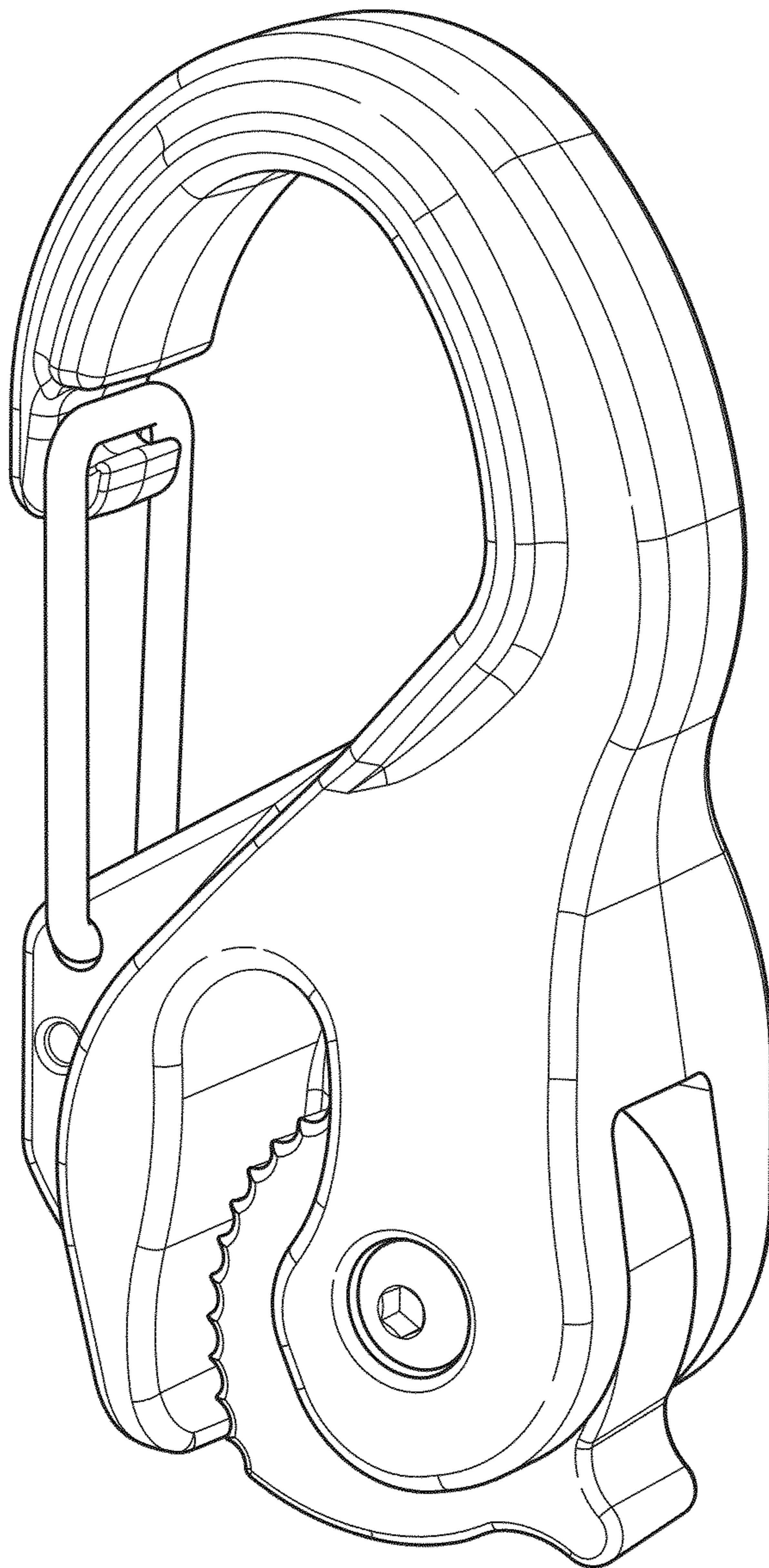


FIG. 3

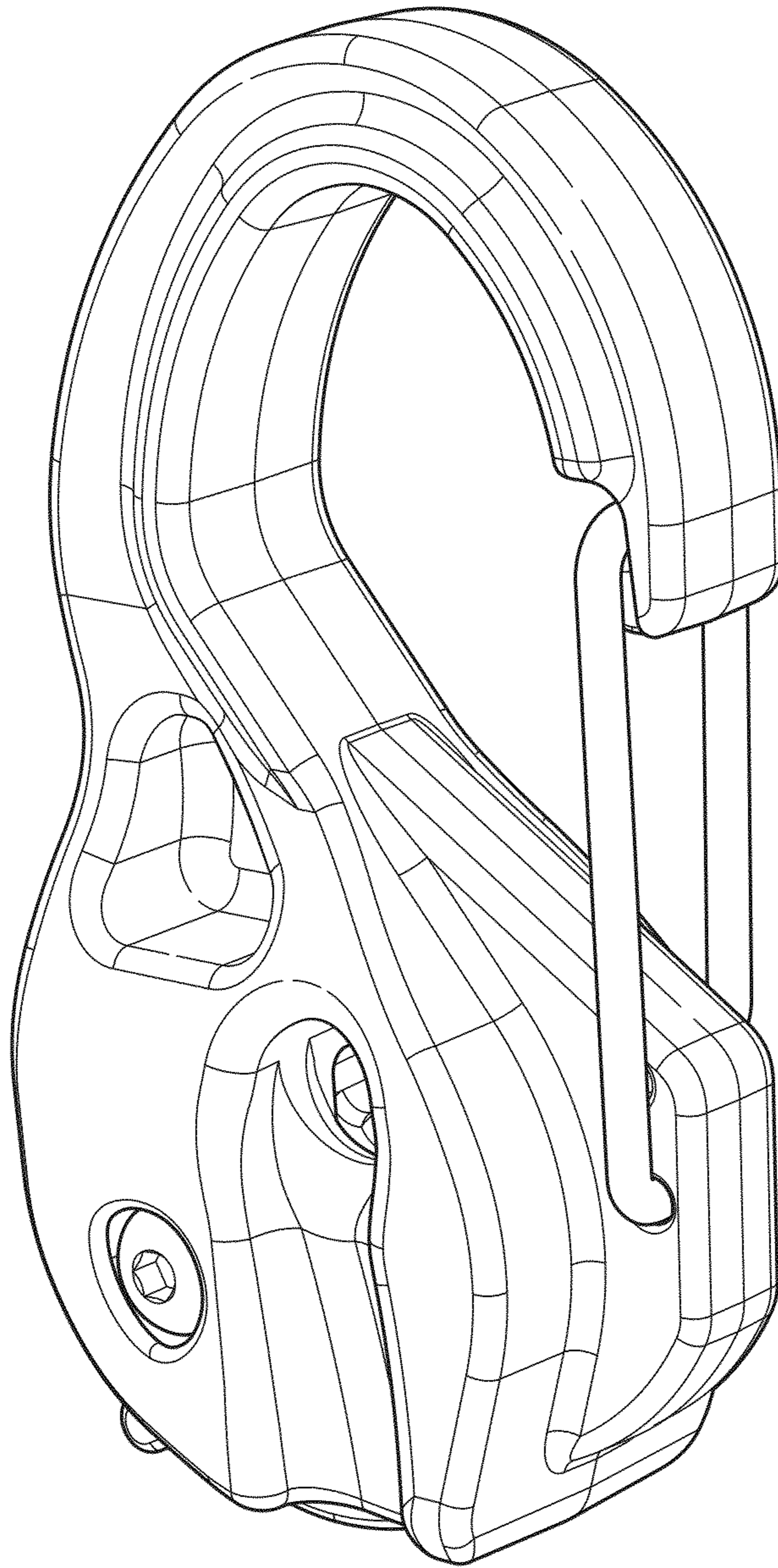


FIG. 4

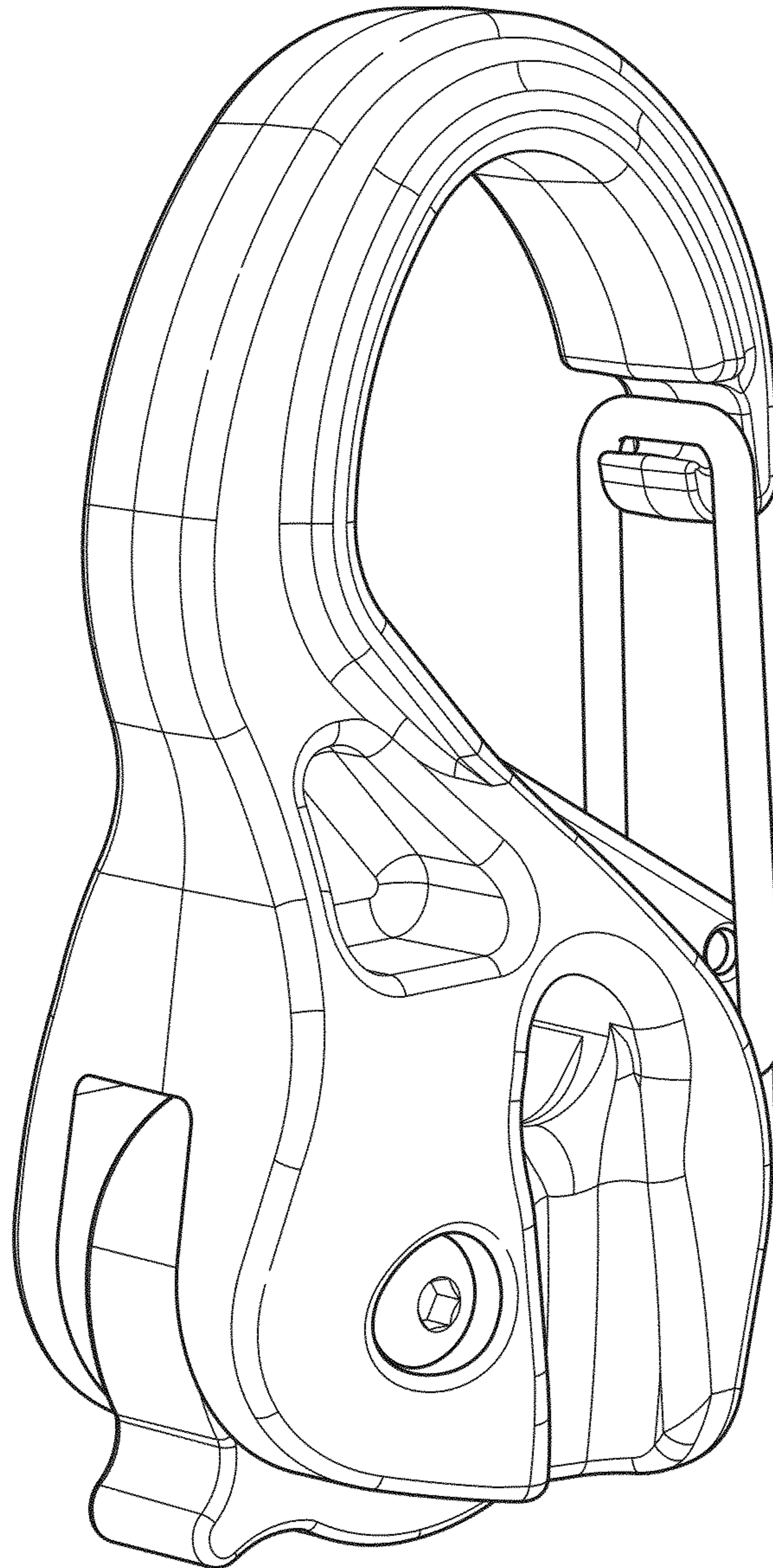


FIG. 5

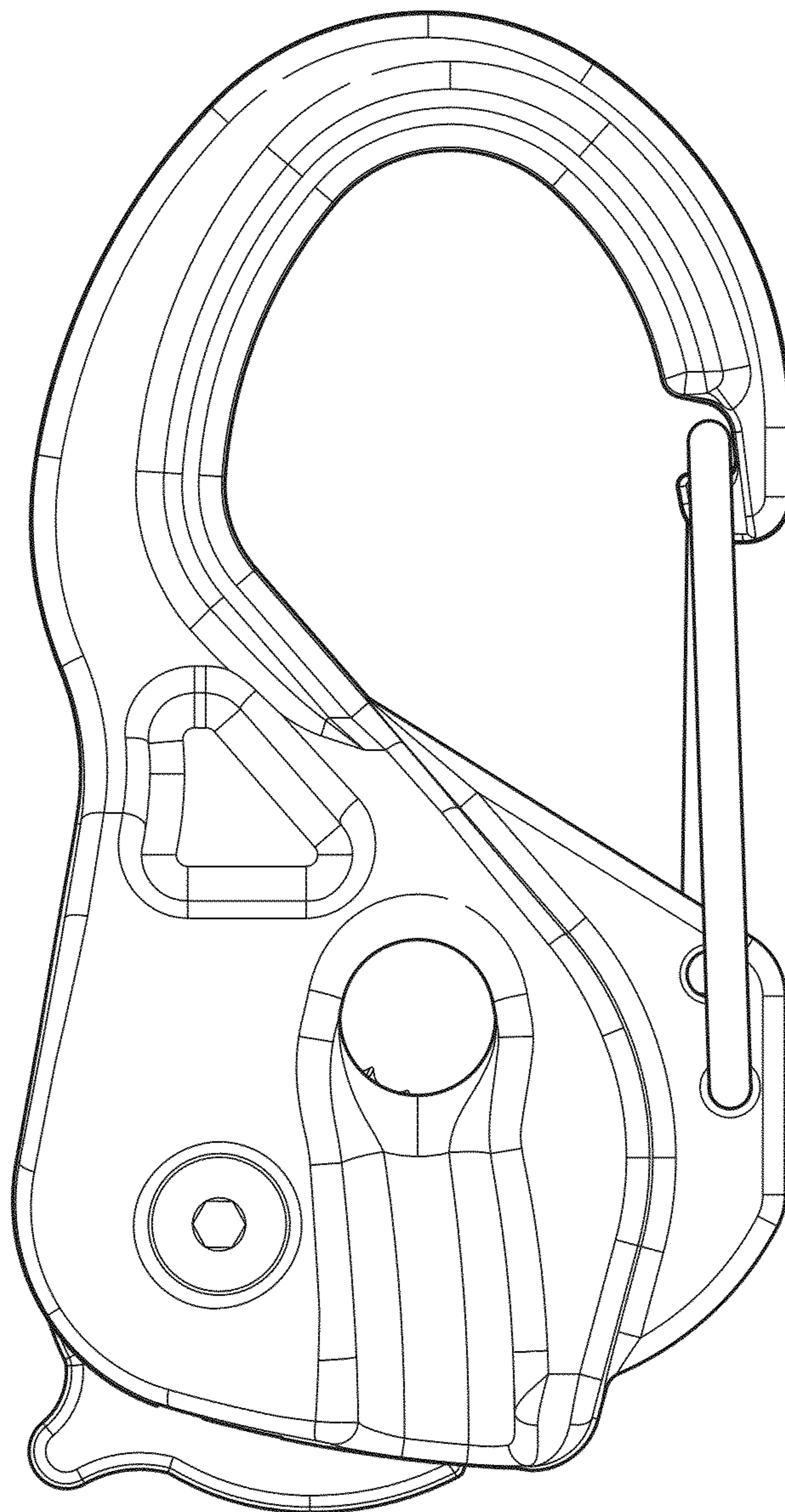


FIG. 6

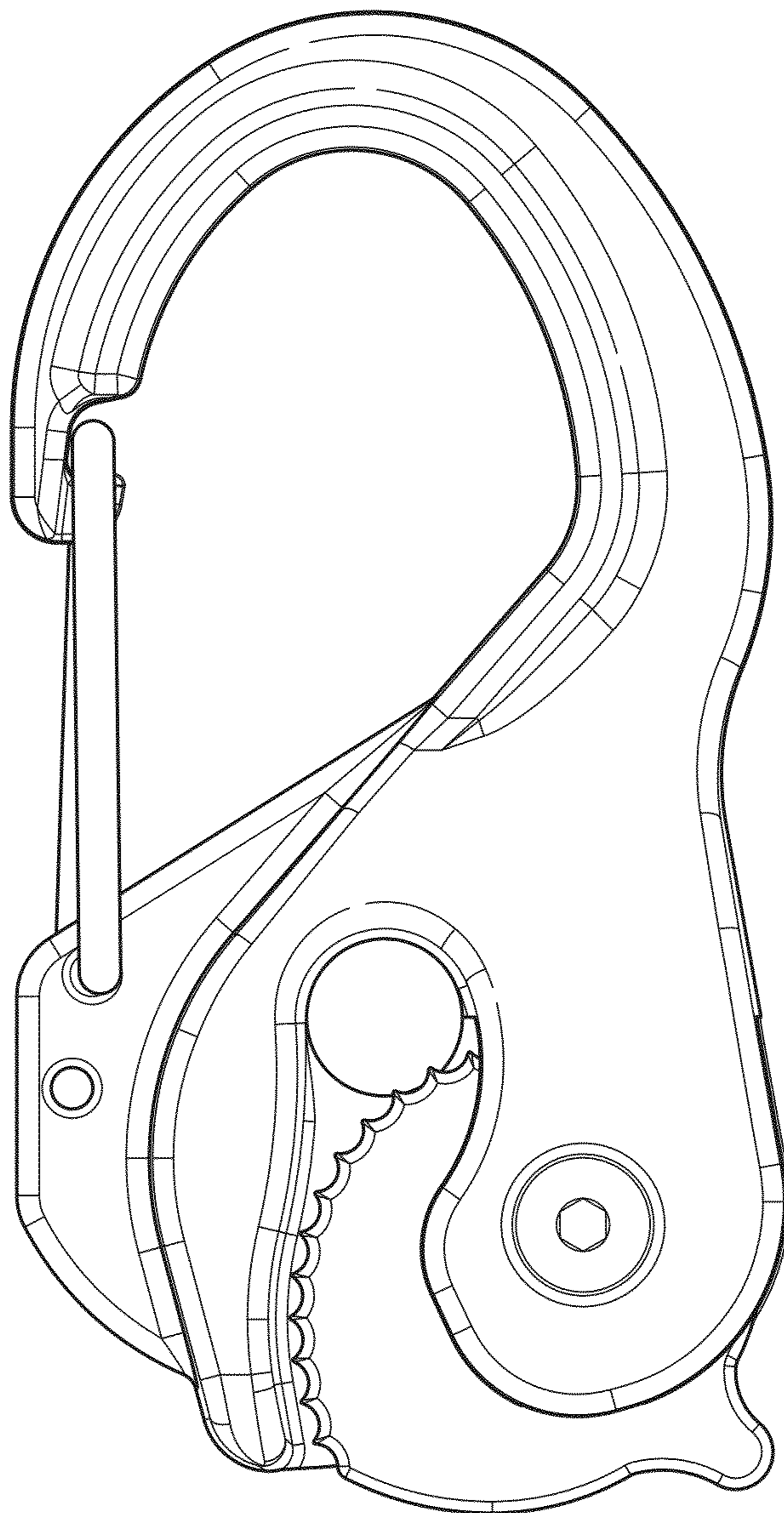


FIG. 7

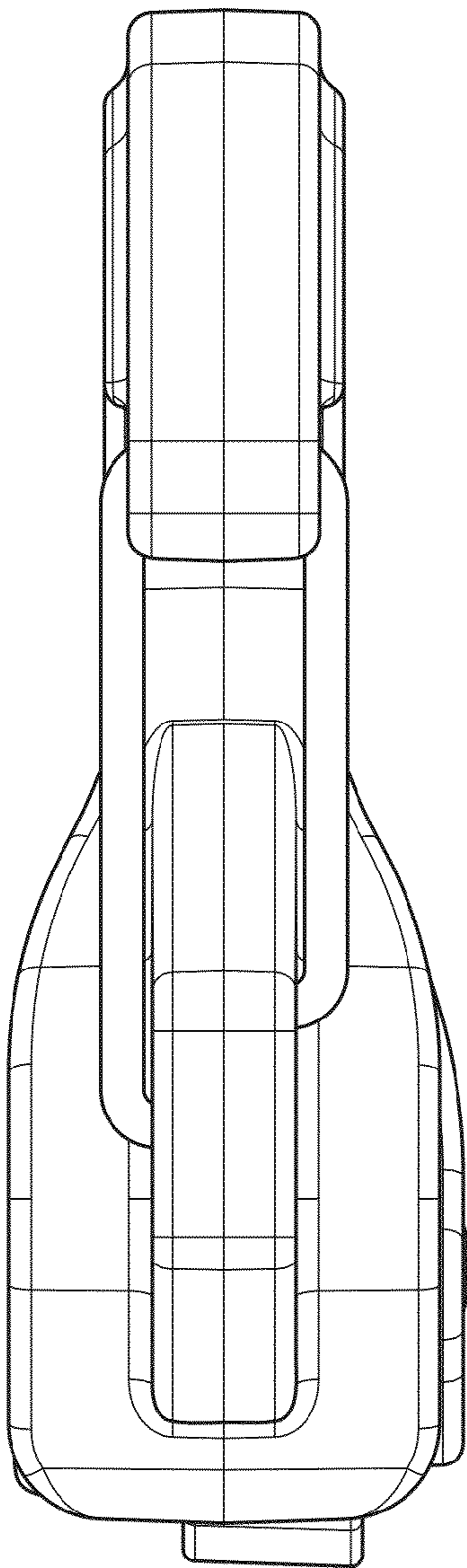


FIG. 8

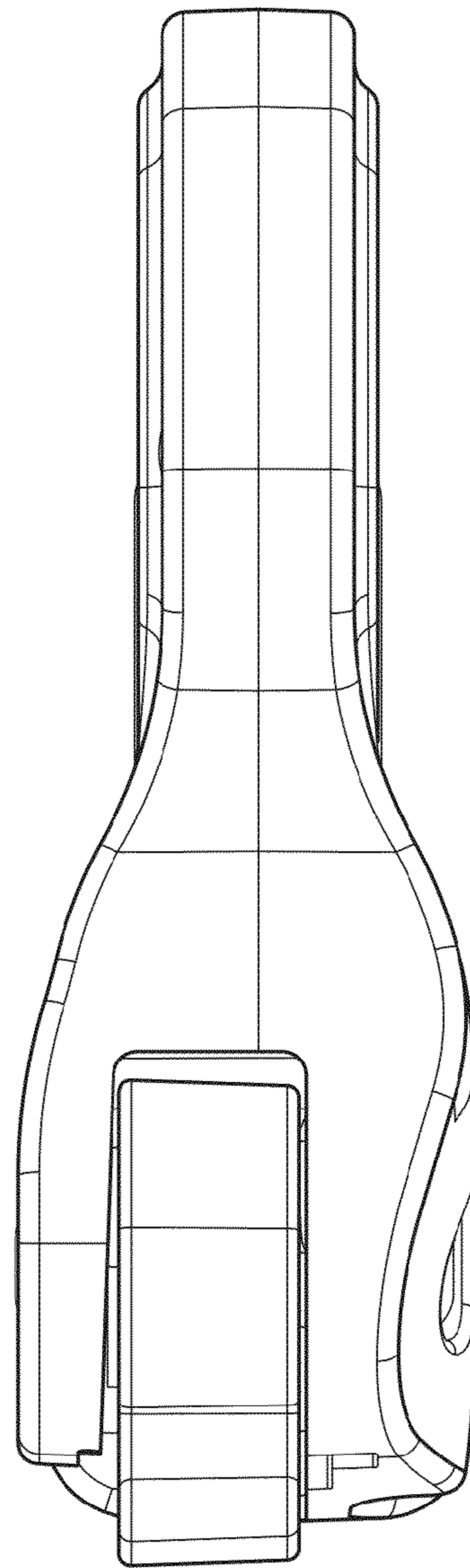


FIG. 9

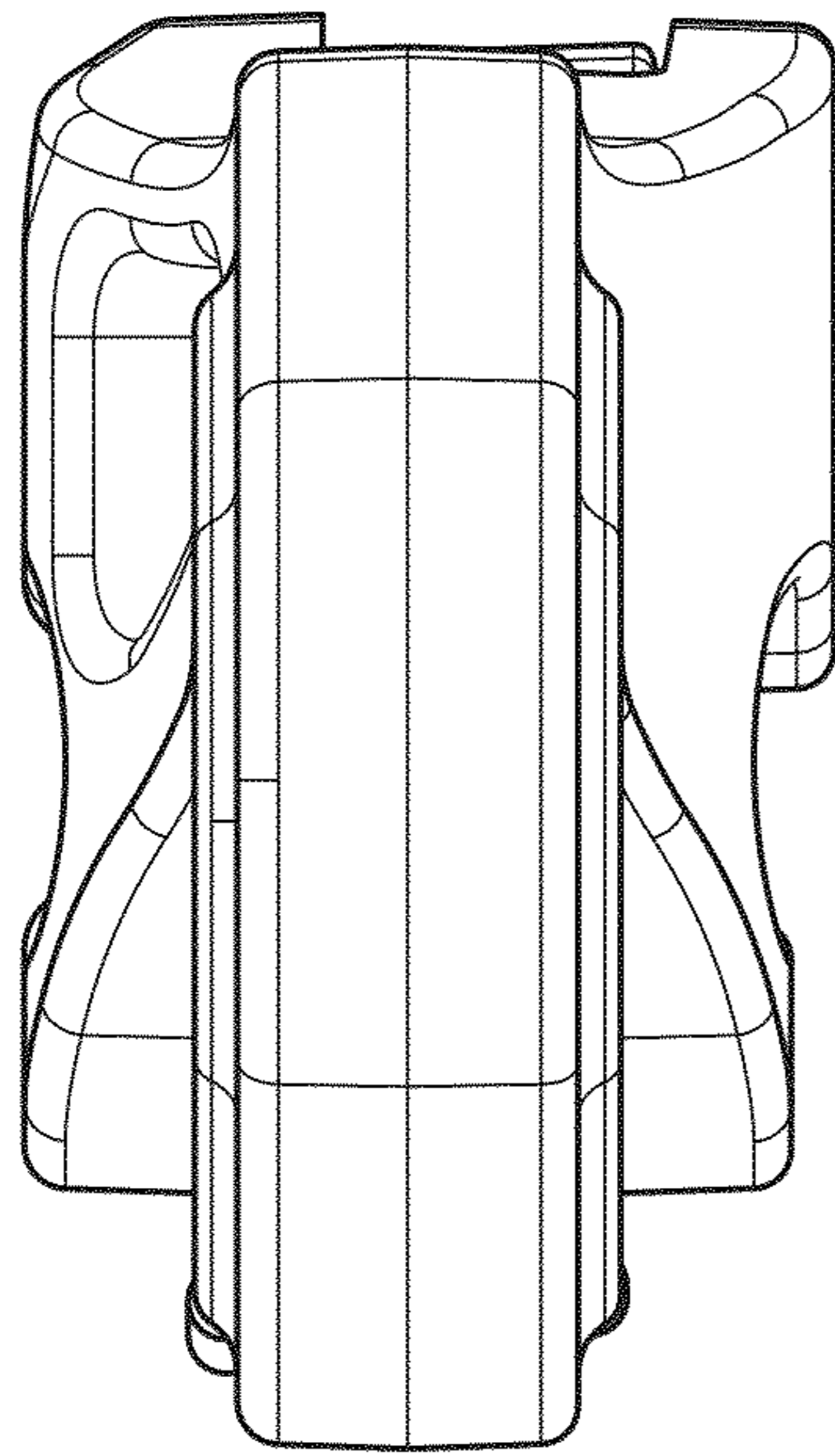


FIG. 10

