



US00D746124S

(12) **United States Design Patent**
Toye

(10) **Patent No.:** **US D746,124 S**
(45) **Date of Patent:** **** Dec. 29, 2015**

(54) **RIDGE END REINFORCING PART FOR A CANOPY**

(71) Applicant: **Jonathan Dallas Toye**, Auckland (NZ)

(72) Inventor: **Jonathan Dallas Toye**, Auckland (NZ)

(73) Assignee: **Extenday IP Limited**, Auckland (NZ)

(**) Term: **14 Years**

(21) Appl. No.: **29/461,887**

(22) Filed: **Jul. 29, 2013**

(51) **LOC (10) Cl.** **08-08**

(52) **U.S. Cl.**
USPC **D8/349**

(58) **Field of Classification Search**
USPC D8/349, 354, 382, 400, 403, 499;
D6/300, 607; D25/60, 102
CPC A47B 95/043; A47B 95/00; A47C 7/004;
B65D 85/00; B65D 85/48; B65D 81/056;
B65D 2581/053; B65D 81/05; E04F 13/06;
E04F 19/0436; E04F 19/0495; E04H 15/32;
F16B 45/00
See application file for complete search history.

(56) **References Cited**

U.S. PATENT DOCUMENTS

D201,263 S * 6/1965 Chambers D8/354
3,692,266 A * 9/1972 Jacobs 52/507

D281,052 S * 10/1985 Farmer et al. D8/394
4,805,860 A * 2/1989 Holmstrom 248/220.1
4,812,075 A * 3/1989 Lavin, Sr. 403/403
D364,332 S * 11/1995 Sachs D8/354
D369,780 S * 5/1996 Sachs D13/133
D426,453 S * 6/2000 Stearns et al. D8/354
D572,510 S * 7/2008 Bohler D8/349
D572,566 S * 7/2008 Kahonen D8/300
D600,207 S * 9/2009 Lumpkins D13/118
8,403,585 B2 * 3/2013 Falconer et al. 403/205
2003/0197105 A1 * 10/2003 Murray 248/345.1

* cited by examiner

Primary Examiner — Thomas Johannes

Assistant Examiner — Shawn T Gingrich

(74) *Attorney, Agent, or Firm* — Lowe Graham Jones PLLC

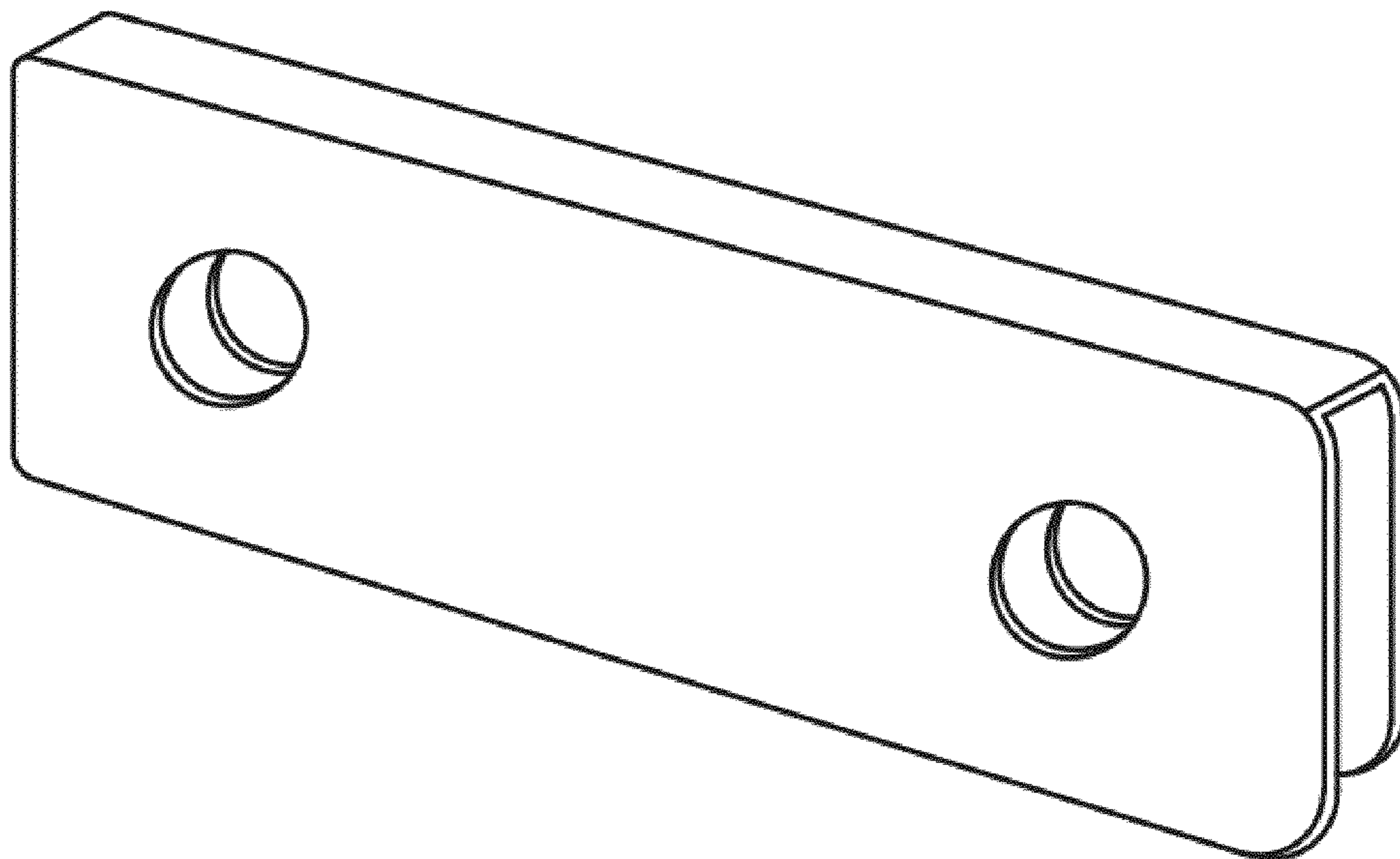
(57) **CLAIM**

I claim the ornamental design for a ridge end reinforcing part for a canopy, as shown and described.

DESCRIPTION

FIG. 1 is a front view of a ridge end reinforcing part for a canopy showing the design;
FIG. 2 is a right hand side view thereof;
FIG. 3 is a left hand side view thereof;
FIG. 4 is a top plan view thereof;
FIG. 5 is a left rear perspective view thereof;
FIG. 6 is a bottom plan view thereof; and,
FIG. 7 is a right front perspective view thereof.

1 Claim, 1 Drawing Sheet



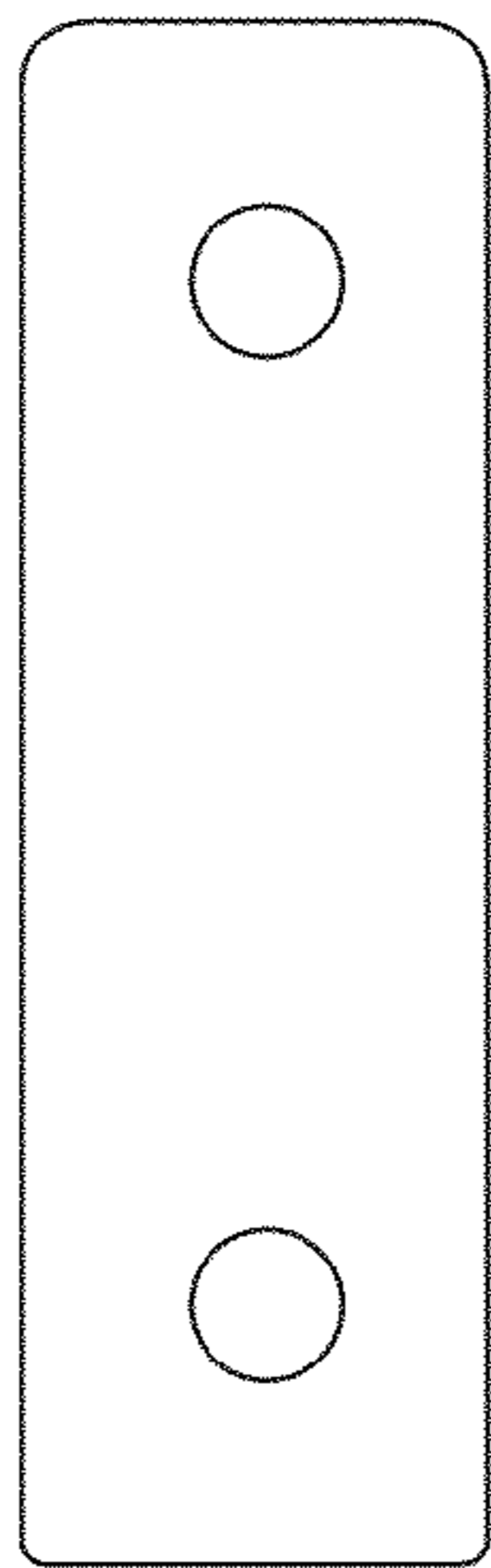


FIGURE 1



FIGURE 2



FIGURE 3



FIGURE 4

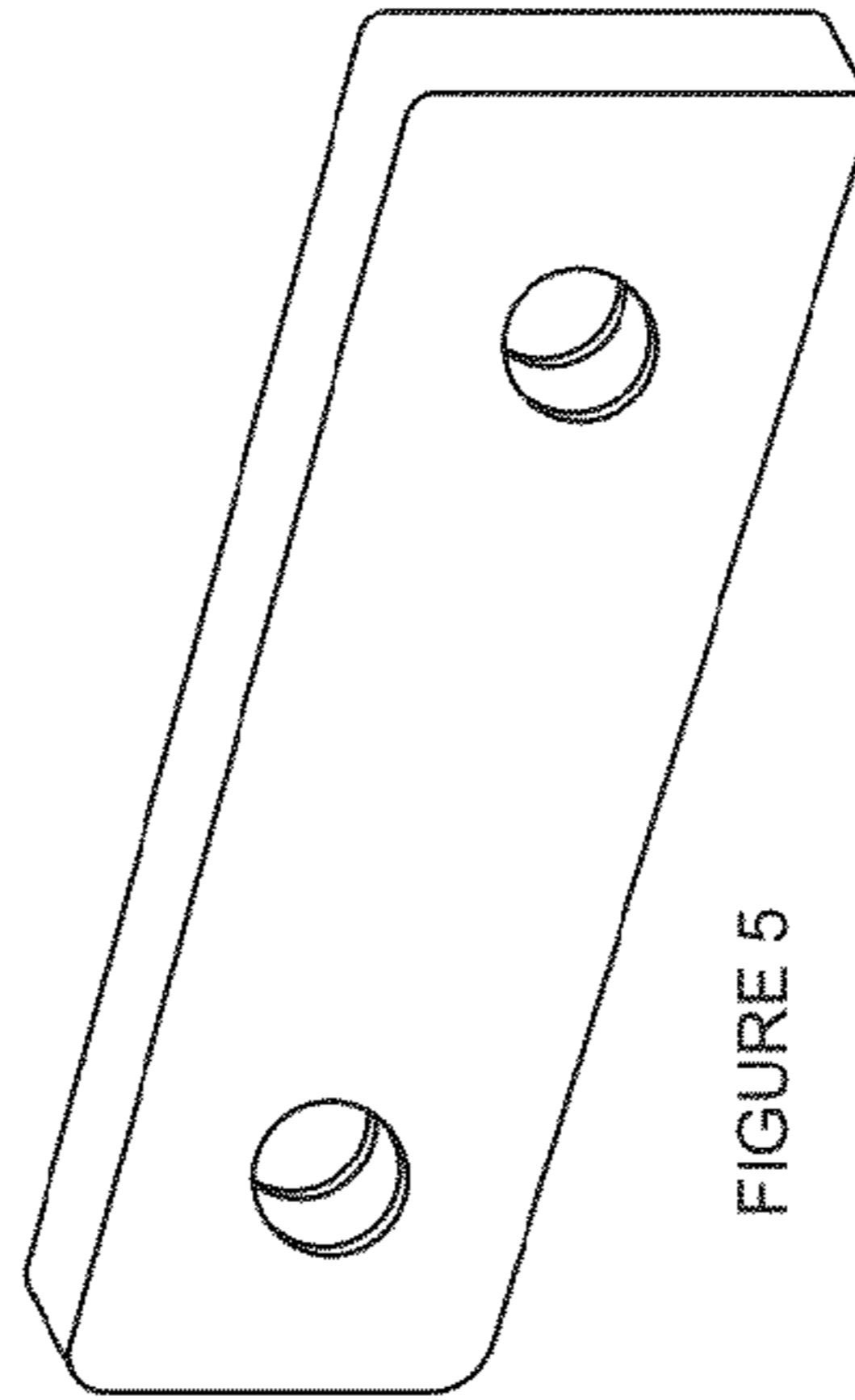


FIGURE 5



FIGURE 6

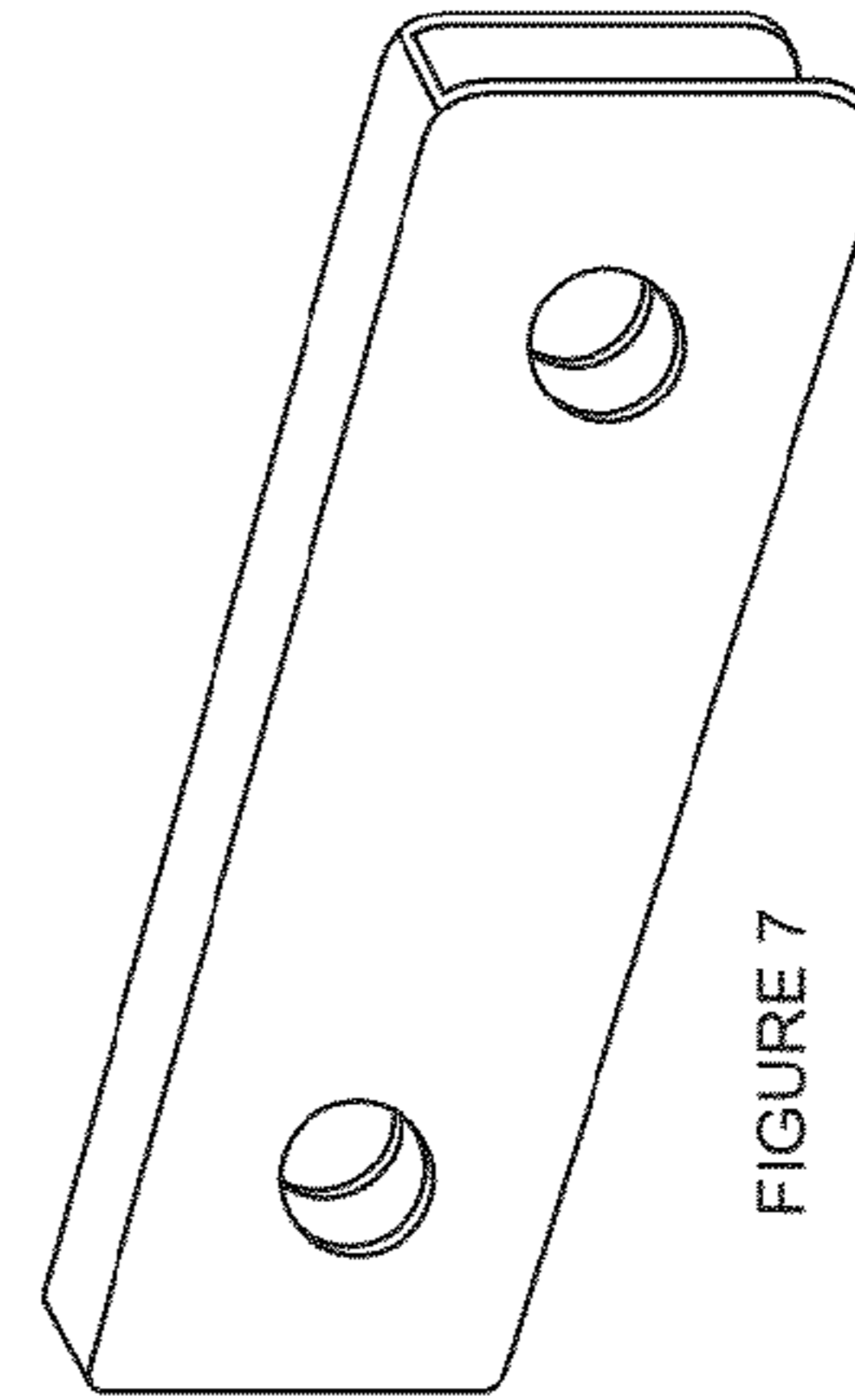


FIGURE 7