



US00D746122S

(12) **United States Design Patent**  
**Stoops**

(10) **Patent No.:** **US D746,122 S**

(45) **Date of Patent:** **\*\* Dec. 29, 2015**

(54) **BRACKET EXTENSION FOR A  
KEYBOARD/KEYBOARD ENCLOSURE**

(76) Inventor: **Kevin Ray Stoops**, Bucyrus, KS (US)

(\*\*) Term: **14 Years**

(21) Appl. No.: **29/420,756**

(22) Filed: **May 11, 2012**

(51) **LOC (10) Cl.** ..... **11-05**

(52) **U.S. Cl.**  
USPC ..... **D8/349**

(58) **Field of Classification Search**  
USPC ..... D8/349, 350, 353, 354, 355, 356, 359,  
D8/366, 367, 373, 374, 394; 248/126, 127,  
248/136, 200, 298.1, 424, 429; D14/313,  
D14/316, 320, 323; 361/680, 681; 455/557  
See application file for complete search history.

(56) **References Cited**

**U.S. PATENT DOCUMENTS**

D236,251	S	*	8/1975	Cunningham	.....	D8/354
D241,613	S	*	9/1976	Matousek et al.	.....	D8/354
D256,663	S	*	9/1980	Gilb	.....	D8/354
D324,487	S	*	3/1992	Weisse et al.	.....	D8/356
D344,448	S	*	2/1994	Sachs	.....	D8/394
D359,438	S	*	6/1995	Graham	.....	D8/354
D373,902	S	*	9/1996	Wang	.....	D3/318
5,645,258	A	*	7/1997	Flowers	.....	248/298.1
D387,978	S	*	12/1997	McNally, Jr.	.....	D8/356
D389,034	S	*	1/1998	Lewis	.....	D8/356
D399,863	S	*	10/1998	LaCicero	.....	D16/242
5,833,337	A	*	11/1998	Kofstad	.....	312/334.5
D429,457	S	*	8/2000	Thomas	.....	D8/356
6,478,279	B1	*	11/2002	Barber	.....	248/424
D492,889	S	*	7/2004	Craine	.....	D8/354
D493,091	S	*	7/2004	Griggy	.....	D8/356
D523,735	S	*	6/2006	Craine	.....	D8/354

D572,572	S	*	7/2008	Chang	.....	D8/356
D574,697	S	*	8/2008	Green	.....	D8/354
D592,487	S	*	5/2009	Tedesco et al.	.....	D8/349
D592,940	S	*	5/2009	Robshaw	.....	D8/358
D615,847	S	*	5/2010	Tezak et al.	.....	D8/349
D635,008	S	*	3/2011	Virgin	.....	D8/349
D640,912	S	*	7/2011	Watts et al.	.....	D8/349
D654,350	S	*	2/2012	Preda	.....	D8/354
D667,718	S	*	9/2012	Preda	.....	D8/354
2002/0112439	A1	*	8/2002	Rosas	.....	52/712
2007/0012841	A1	*	1/2007	Chen	.....	248/298.1

\* cited by examiner

*Primary Examiner* — Eric Goodman

*Assistant Examiner* — Bao-Yen Nguyen

(74) *Attorney, Agent, or Firm* — Kutak Rock LLP; Byran P. Stanley

(57) **CLAIM**

The ornamental design for a bracket extension for a keyboard/ keyboard enclosure, as shown and described.

**DESCRIPTION**

FIG. 1 is a front perspective view of a bracket extension for a keyboard/keyboard enclosure.

FIG. 2 is a top plan view of the bracket extension of FIG. 1.

FIG. 3 is a bottom view of the bracket extension of FIG. 1.

FIG. 4 is a front elevation view of the bracket extension of FIG. 1.

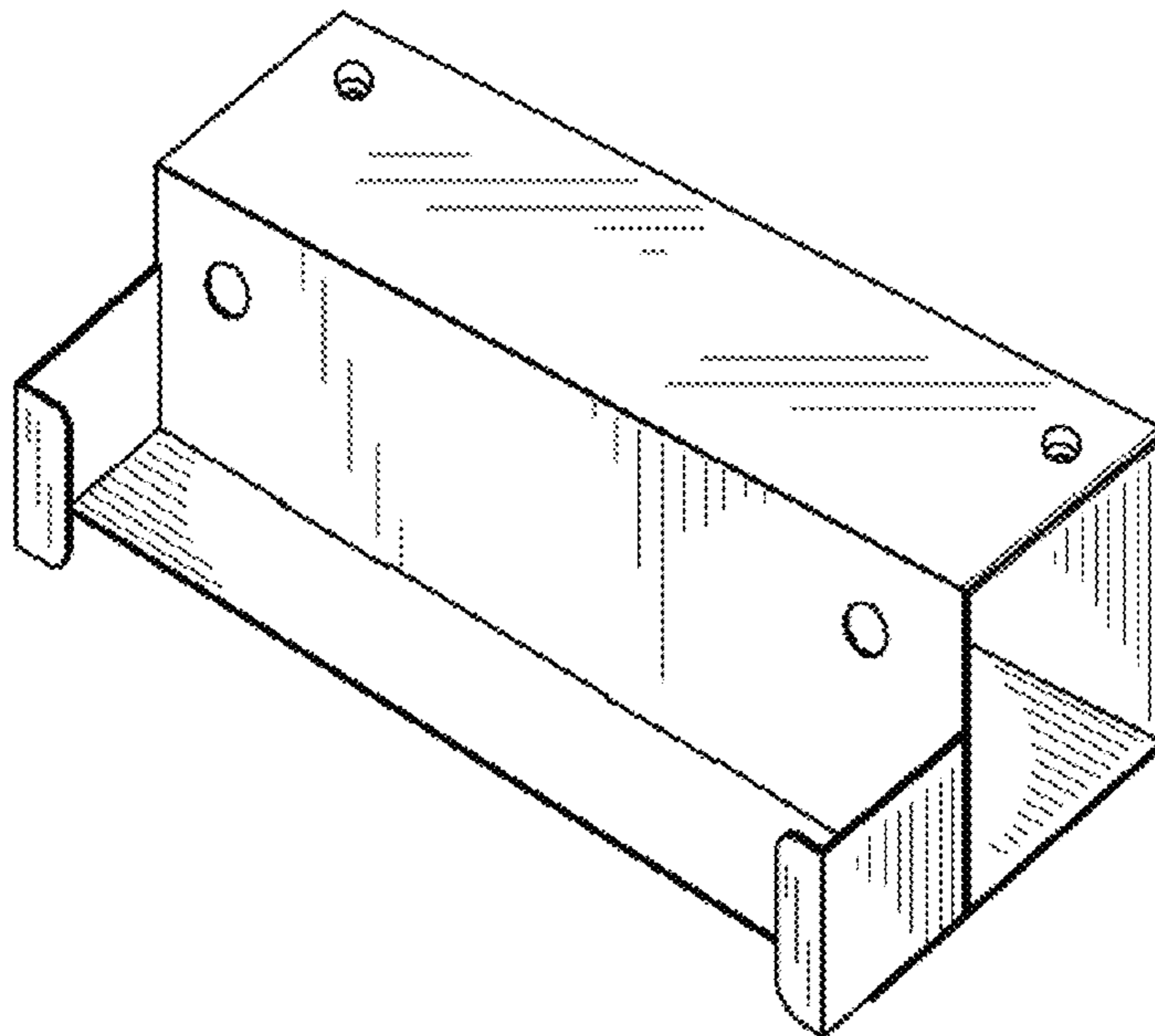
FIG. 5 is a partial detail view of an enlarged partial view taken along line 5-5 of FIG. 4.

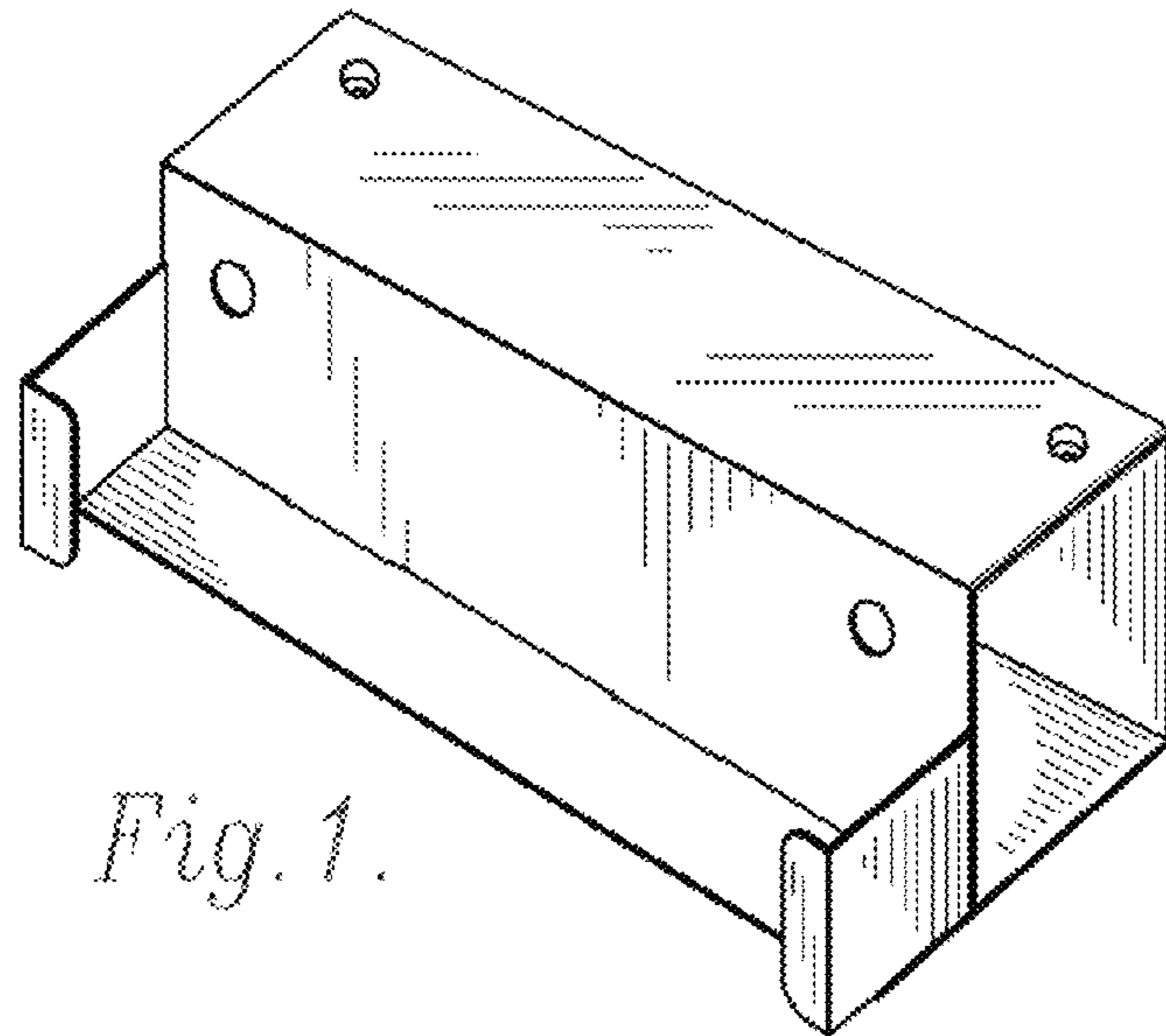
FIG. 6 is a rear elevation view of the bracket extension of FIG. 1; and,

FIG. 7 is an end view of the bracket extension of FIG. 1, the opposing end view being a mirror image thereof.

The broken lines depict internal elements of the article and form no part of the claimed design.

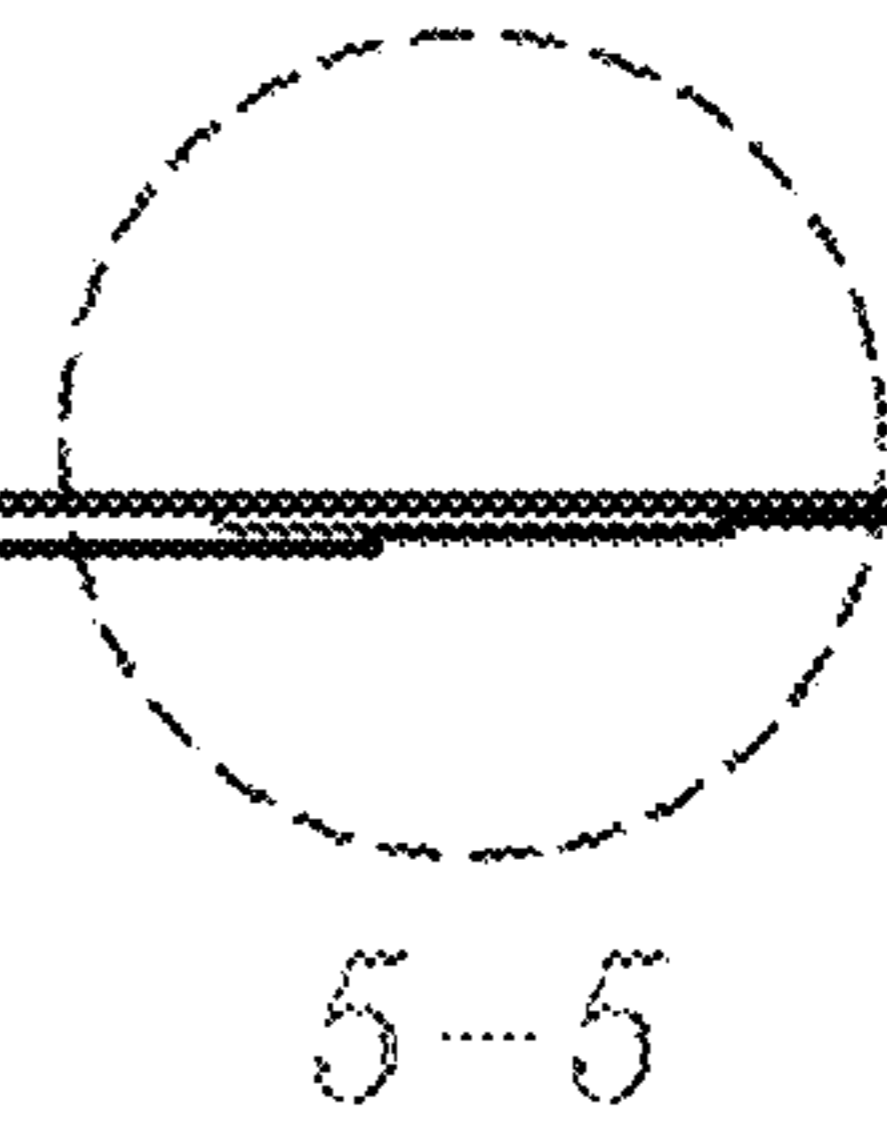
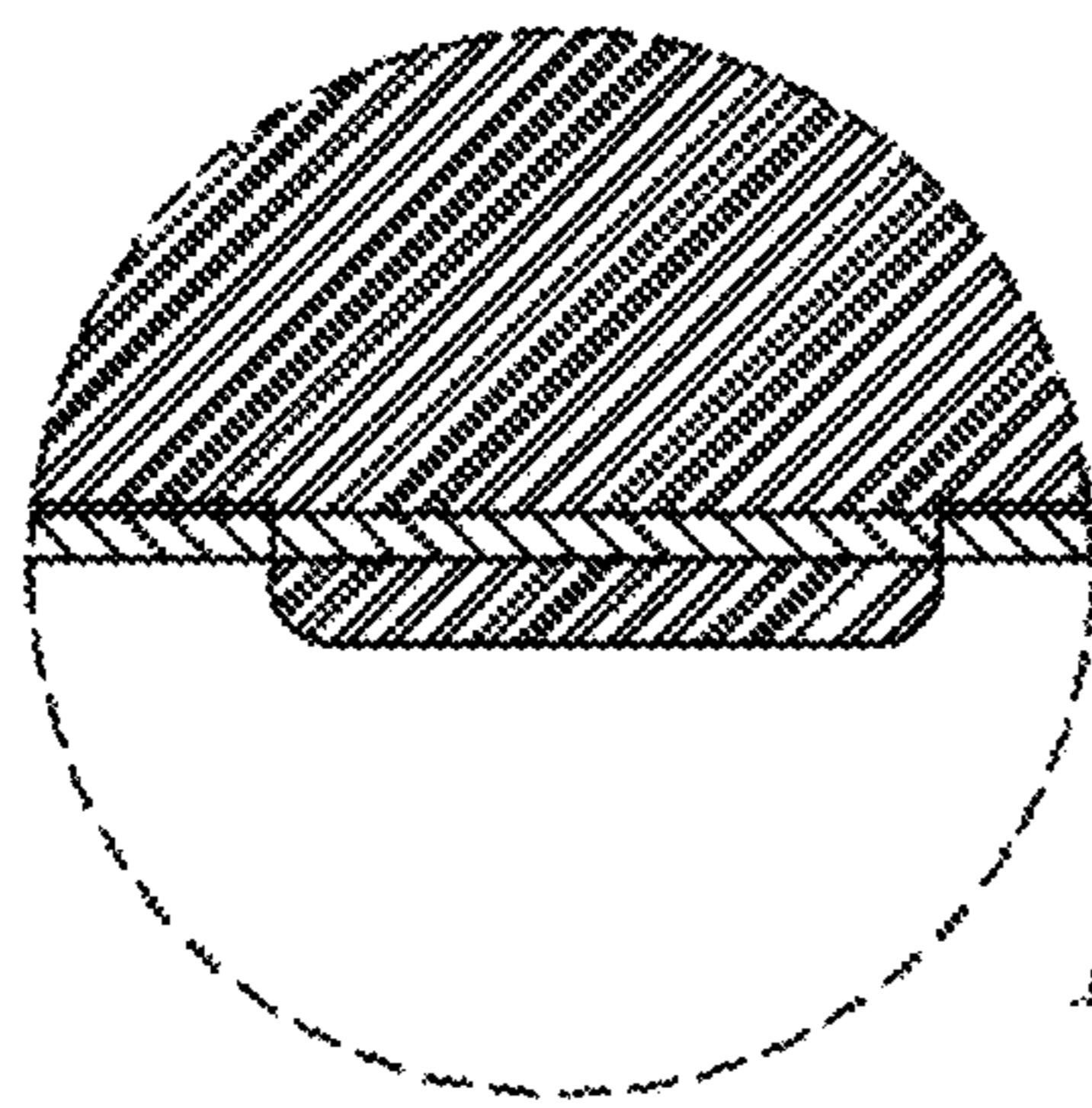
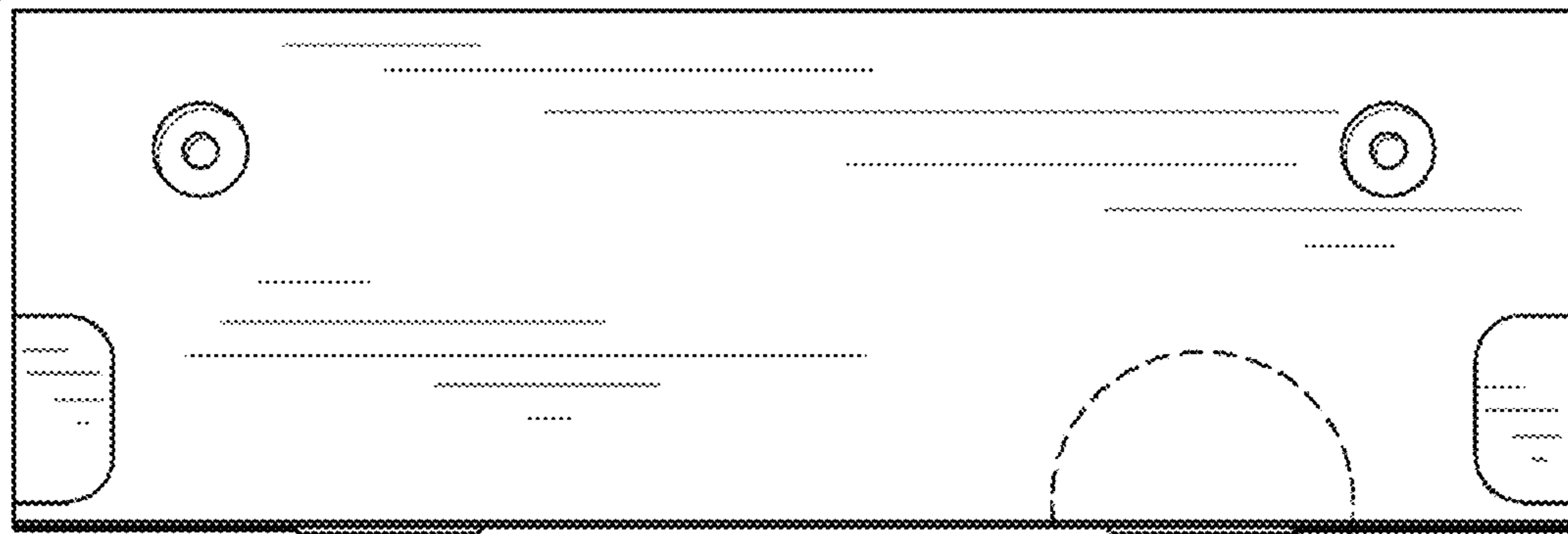
**1 Claim, 3 Drawing Sheets**



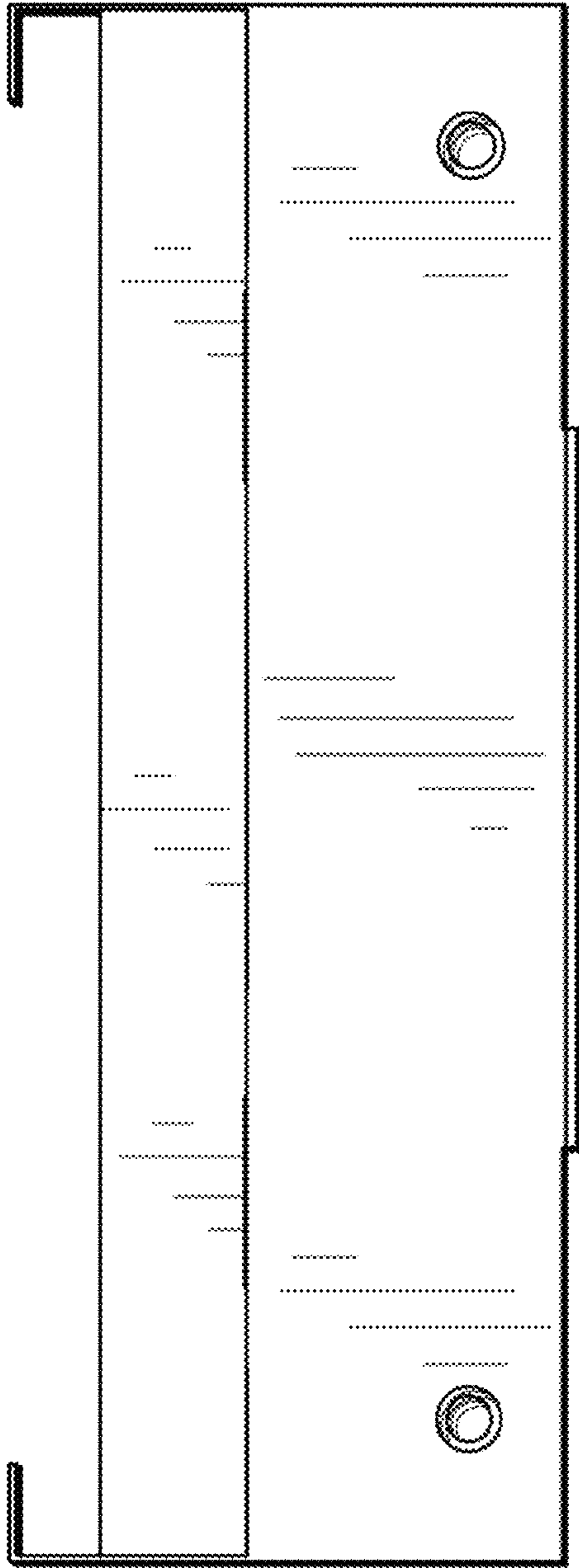


*Fig. 1.*

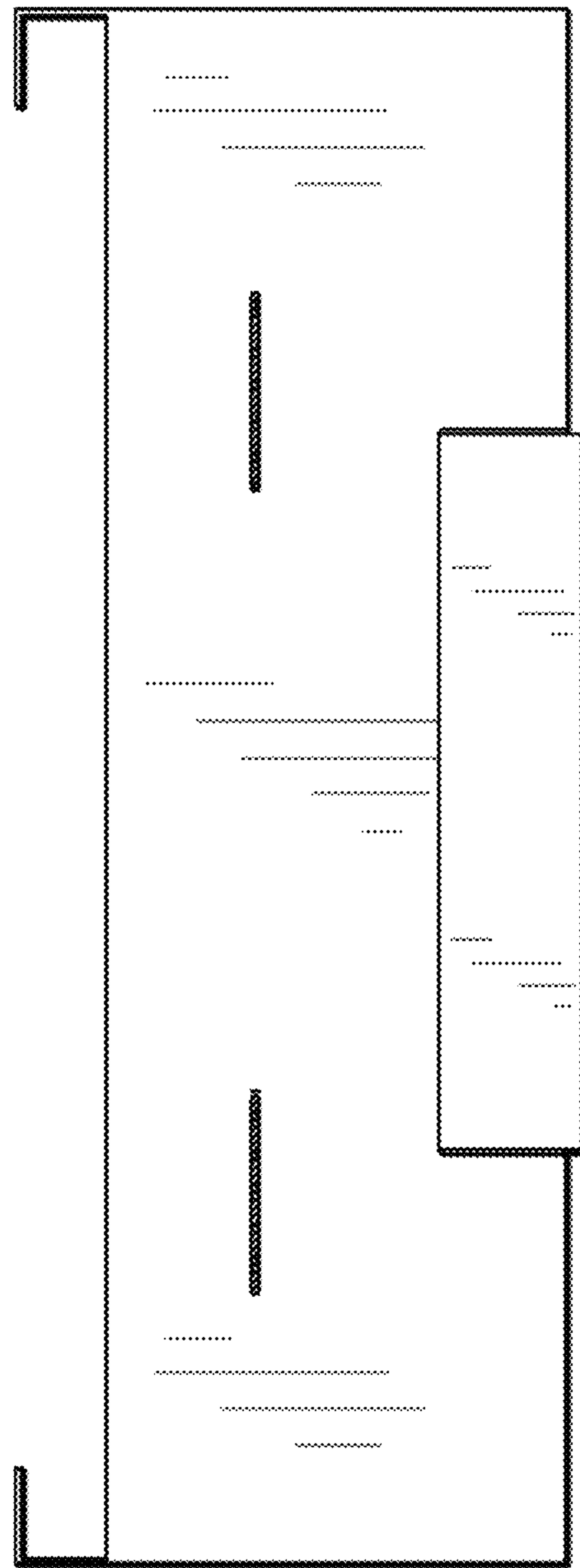
*Fig. 4*



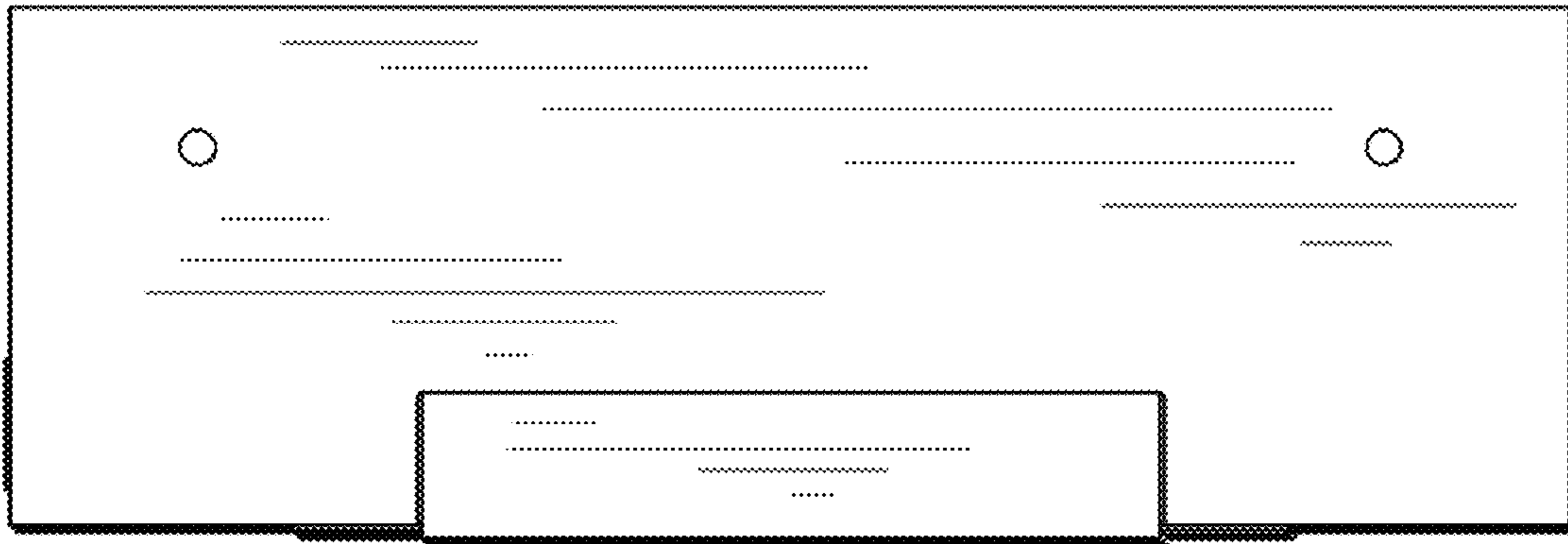
*Fig. 5*



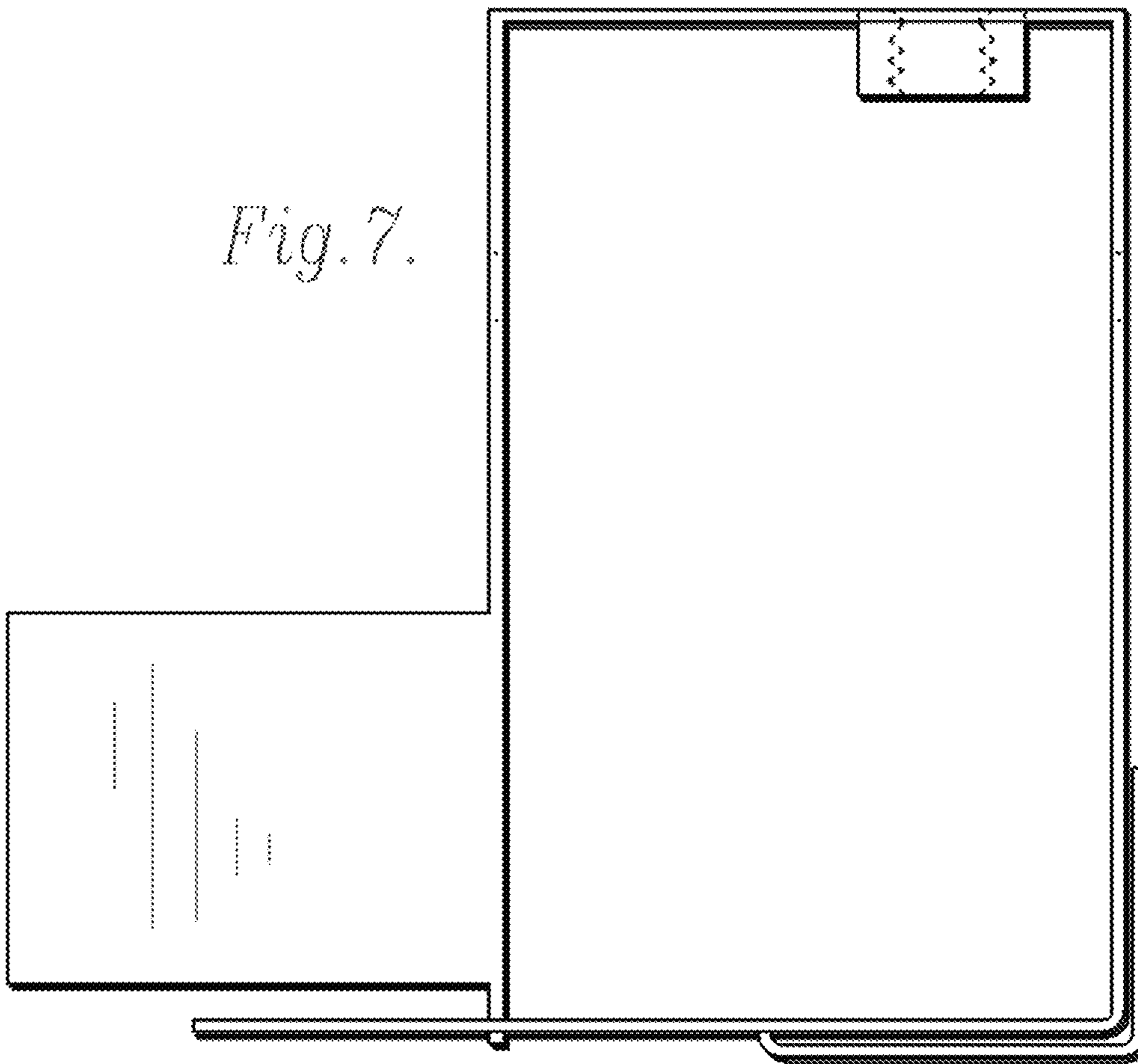
*Fig. 2.*



*Fig. 3.*



*Fig. 6.*



*Fig. 7.*