



US00D746119S

(12) **United States Design Patent**
Pelton

(10) **Patent No.:** **US D746,119 S**

(45) **Date of Patent:** **** Dec. 29, 2015**

(54) **KNIFE WITH INTEGRATED MOVEABLE GUARD**

(71) Applicant: **DPX VENTURES LIMITED**, Ras Al Khaimah (AE)

(72) Inventor: **Robert Young Pelton**, Bonsall, CA (US)

(73) Assignee: **DPX VENTURES LIMITED**, Ras Al Khaimah (AE)

(**) Term: **14 Years**

(21) Appl. No.: **29/479,216**

(22) Filed: **Jan. 13, 2014**

(51) **LOC (10) Cl.** **08-03**

(52) **U.S. Cl.**
USPC **D8/99**

(58) **Field of Classification Search**
USPC D8/98, 99, 105; D22/118
CPC B26B 3/06; B26B 1/00; B26B 1/04;
B26B 29/02; B26B 3/00
See application file for complete search history.

(56) **References Cited**

U.S. PATENT DOCUMENTS

D229,472 S * 12/1973 Collins D7/649
D270,655 S * 9/1983 Collins D22/118

(Continued)

OTHER PUBLICATIONS

Camillus Dominator Carbonitride Titanium Fixed Blade Knife, retrieved from www.amazon.com on Feb. 10, 2014, 3 pages.

Primary Examiner — Phillip S Hyder

(74) *Attorney, Agent, or Firm* — ARC IP Law PC; Joseph J. Mayo

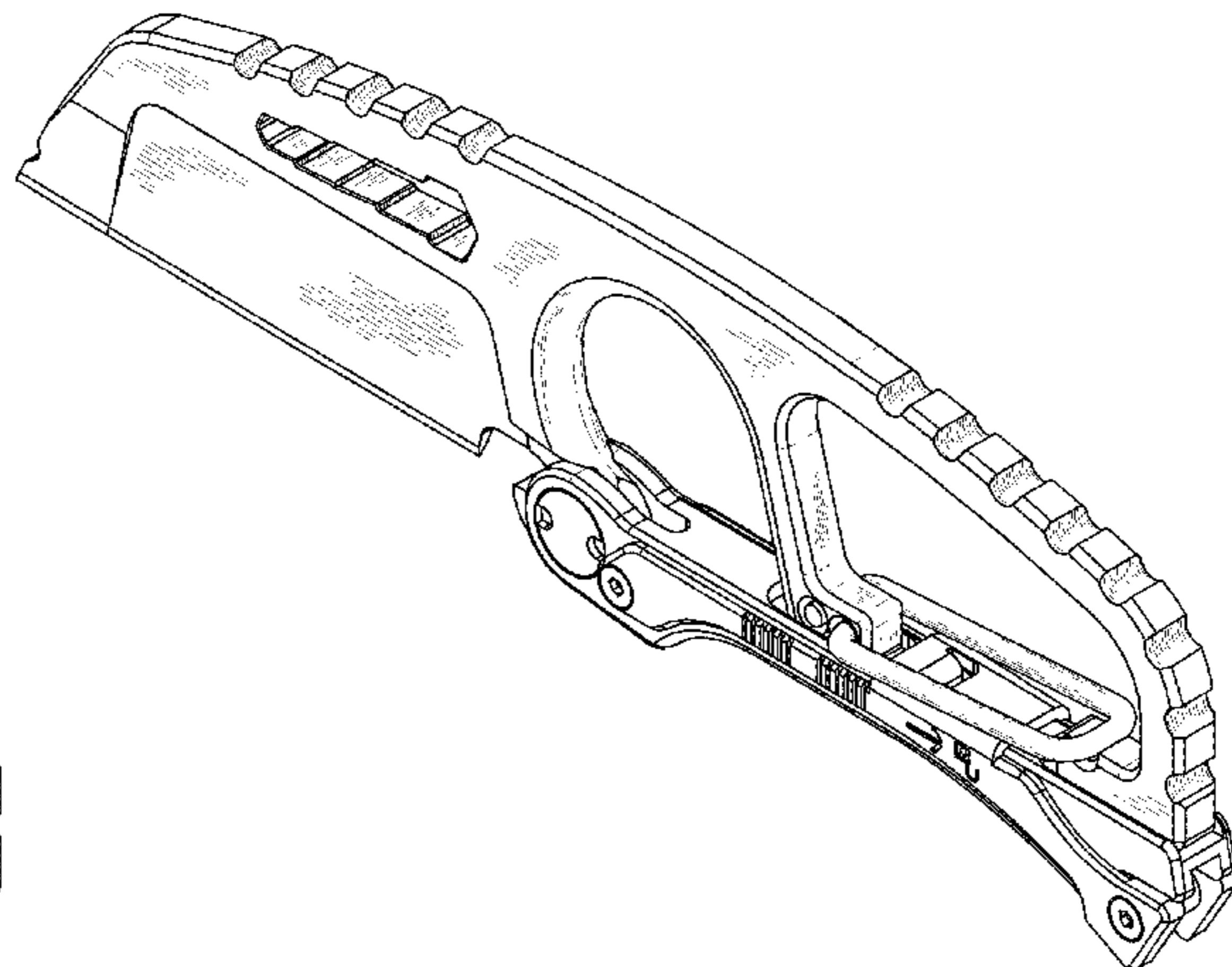
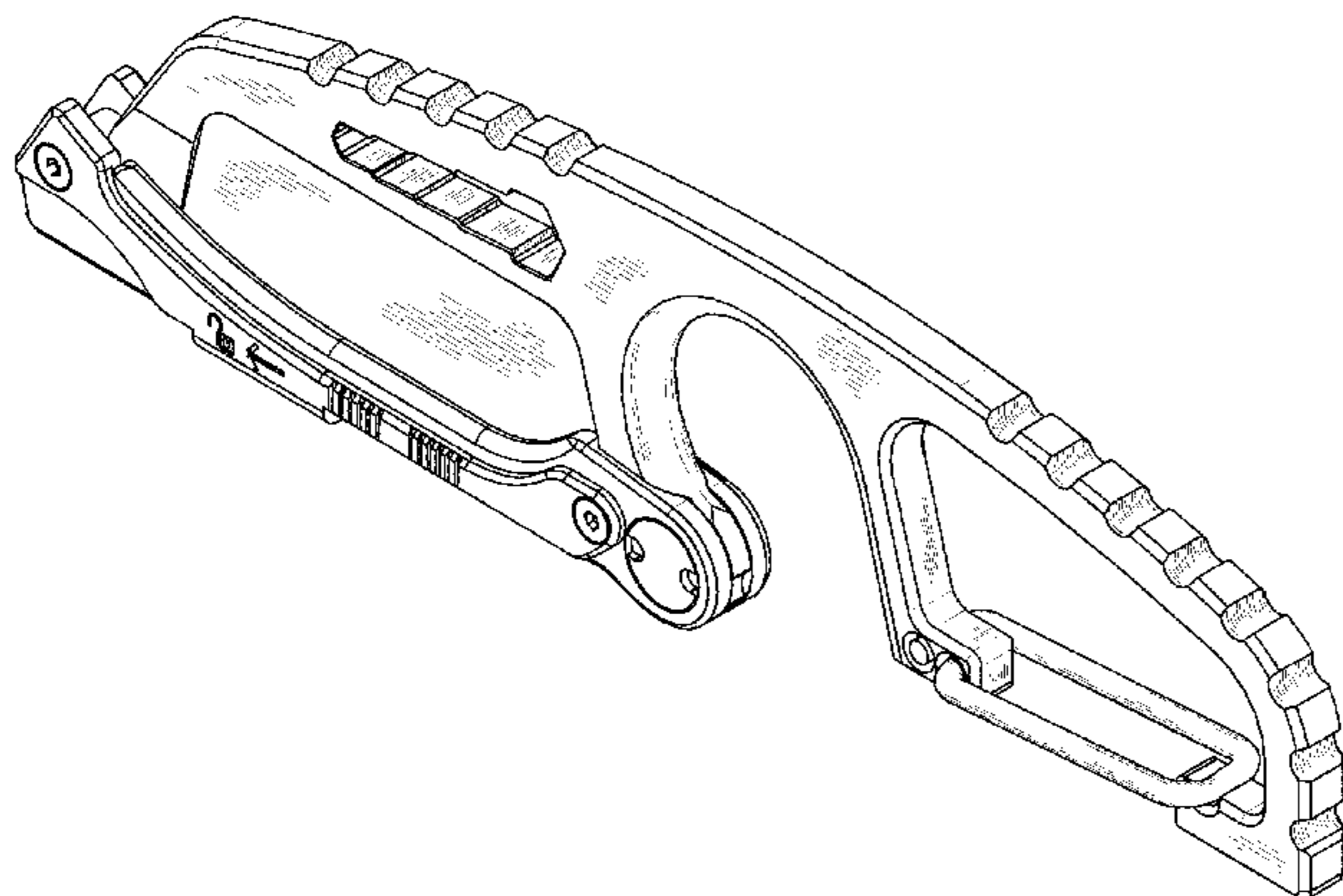
(57) **CLAIM**

The ornamental design for a knife with integrated moveable guard, as shown and described.

DESCRIPTION

FIG. 1 is an upper perspective view of a knife with integrated moveable guard in closed position.
FIG. 2 is a lower perspective view of the knife with integrated moveable guard in closed position.
FIG. 3 is an upper perspective view of the knife with integrated moveable guard in open position.
FIG. 4 is a lower perspective view of the knife with integrated moveable guard in open position.
FIG. 5 is a left side view of the knife with integrated moveable guard in open position.
FIG. 6 is a left side view of the knife with integrated moveable guard in half open position.
FIG. 7 is a left side view of the knife with integrated moveable guard in closed position, the right side views of which are not shown as they are mirror images of FIGS. 5, 6 and 7 respectively.
FIG. 8 is a top view of the knife with integrated moveable guard in closed position.
FIG. 9 is a top view of the knife with integrated moveable guard in half open position.
FIG. 10 is a top view of the knife with integrated moveable guard in open position.
FIG. 11 is a bottom view of the knife with integrated moveable guard in closed position.
FIG. 12 is a bottom view of the knife with integrated moveable guard in half open position.
FIG. 13 is a bottom view of the knife with integrated moveable guard in open position.
FIG. 14 is a front view of the knife with integrated moveable guard in closed position.
FIG. 15 is a front view of the knife with integrated moveable guard in half open position.
FIG. 16 is a front view of the knife with integrated moveable guard in open position.
FIG. 17 is a rear view of the knife with integrated moveable guard in closed position.
FIG. 18 is a rear view of the knife with integrated moveable guard in half open position; and,
FIG. 19 is a rear view of the knife with integrated moveable guard in open position.
Any broken line showing is for environmental purposes only and forms no part of the claimed design.

1 Claim, 9 Drawing Sheets



(56)

References Cited

U.S. PATENT DOCUMENTS

4,442,559 A 4/1984 Collins
4,546,510 A * 10/1985 Harrison 7/145
4,607,432 A * 8/1986 Montgomery 30/294
D336,232 S * 6/1993 Thompson et al. D8/99
D422,190 S 4/2000 Zaha
D464,551 S * 10/2002 Glesser D8/98
6,594,906 B1 7/2003 Sakai et al.
7,051,443 B2 5/2006 Mueller
7,325,312 B1 2/2008 Janich

D566,222 S * 4/2008 Hawk et al. D22/118
8,079,148 B2 12/2011 Chao
8,117,754 B2 2/2012 Lion et al.
8,322,039 B2 12/2012 De Buyer-Mimeure
D699,315 S * 2/2014 Seeds et al. D22/118
8,707,490 B1 4/2014 Pelton
2006/0277762 A1 12/2006 Knight et al.
2012/0272534 A1 11/2012 Lee
2013/0167381 A1 7/2013 Kommer
2013/0185943 A1 7/2013 Landwehr
2014/0250694 A1 9/2014 Constantine
2014/0345144 A1 11/2014 Frazer

* cited by examiner

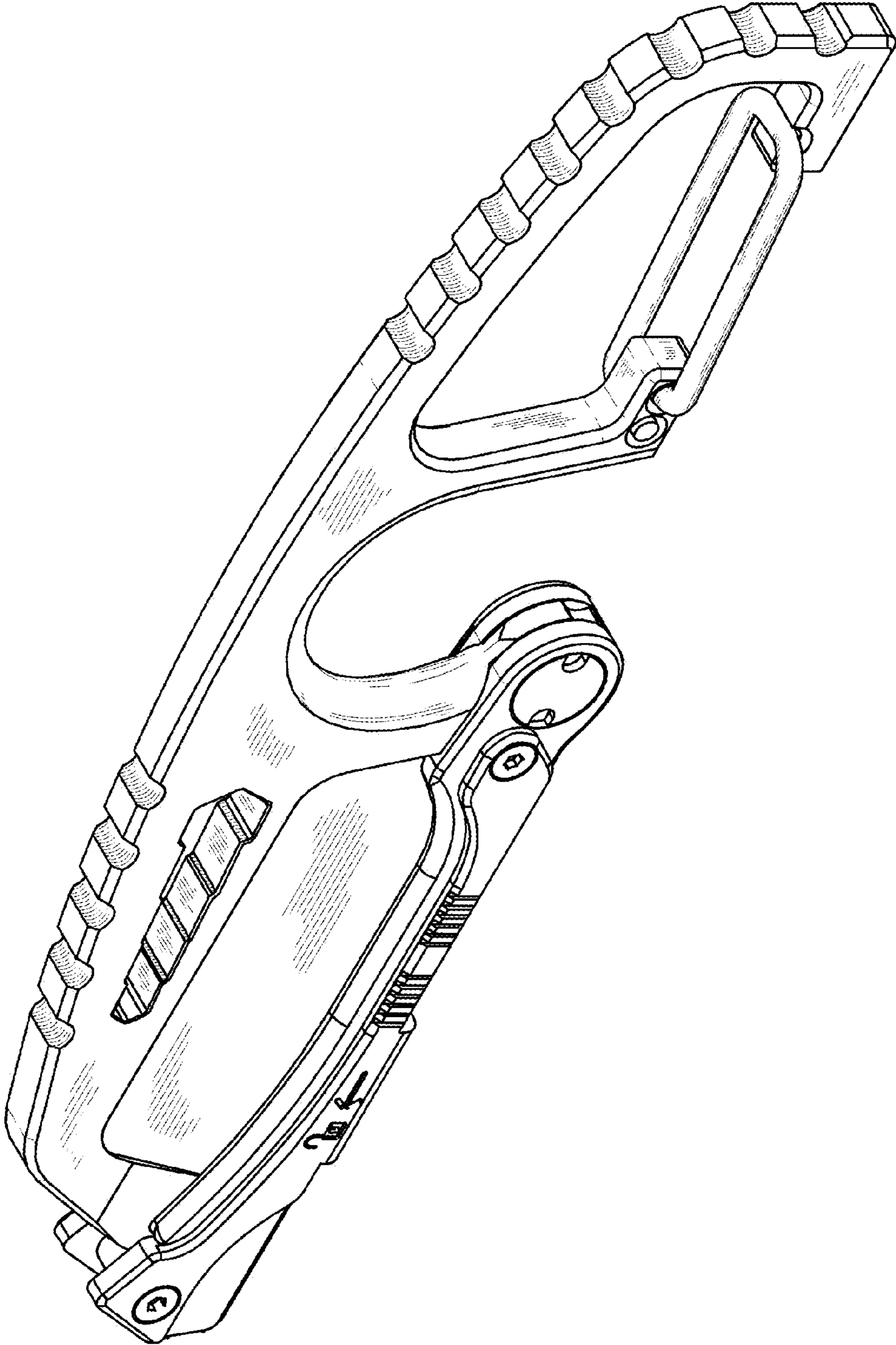


FIG. 1

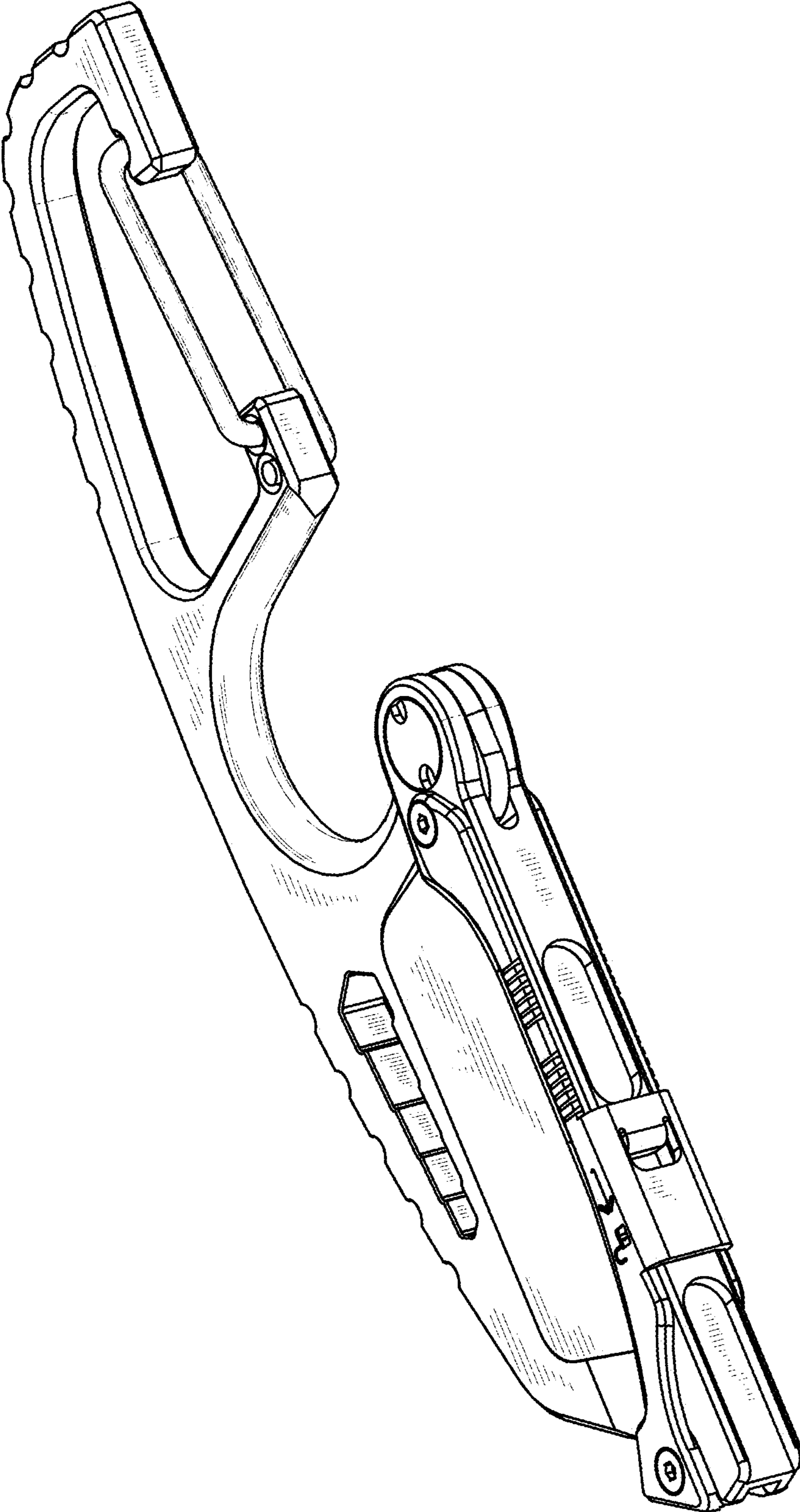


FIG. 2

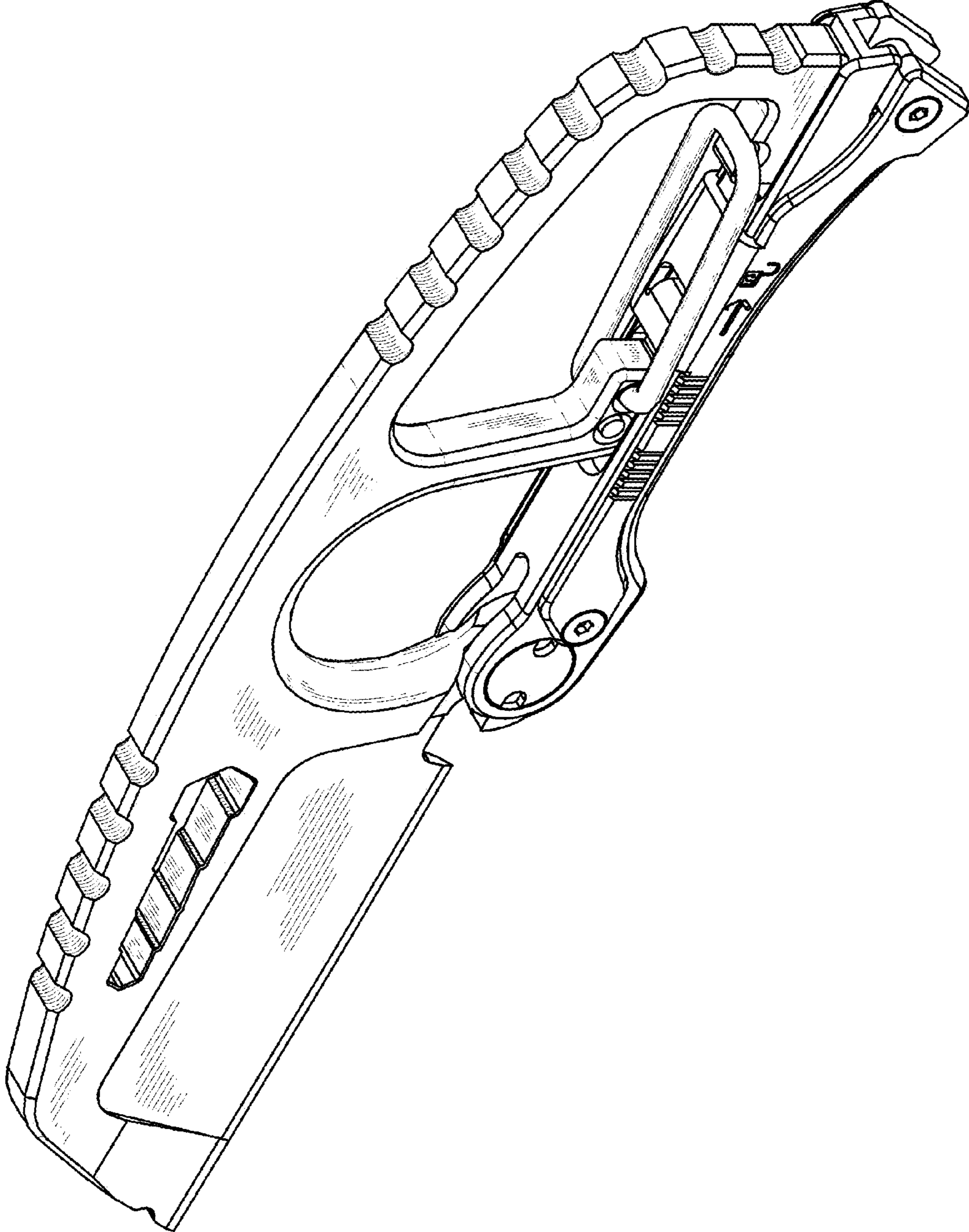


FIG. 3

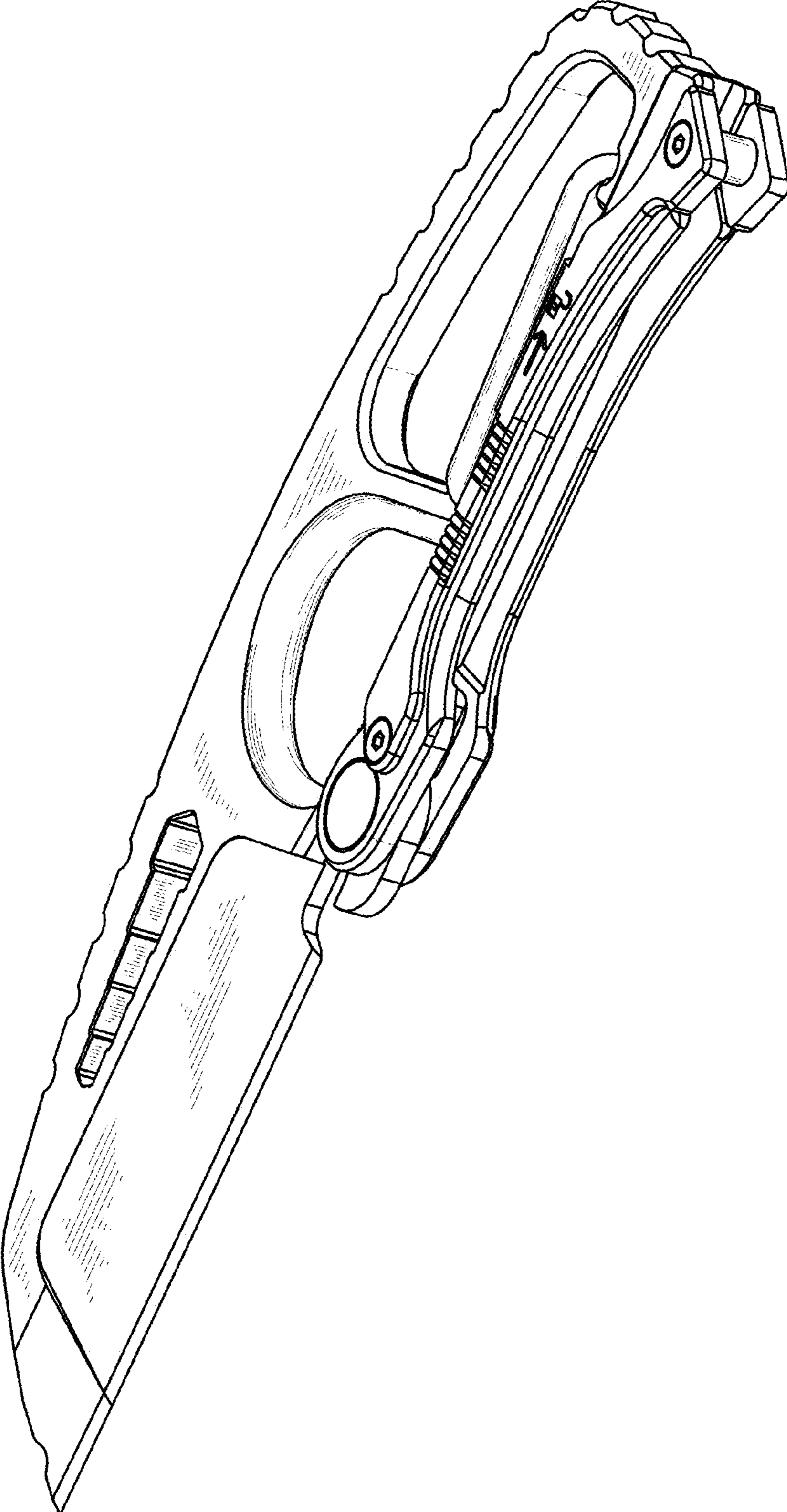


FIG. 4

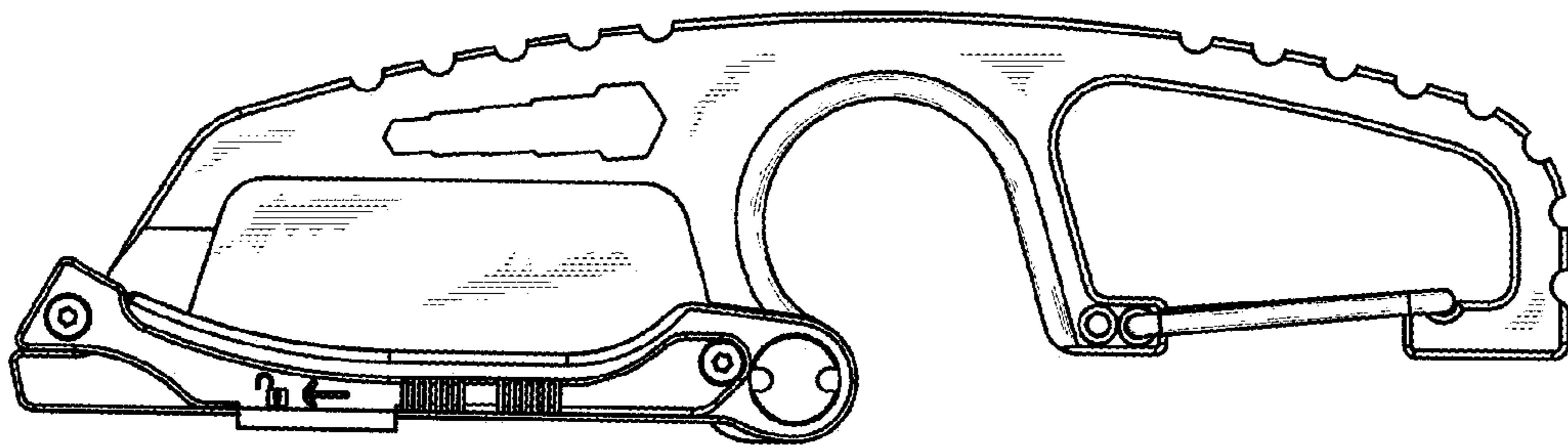


FIG. 5

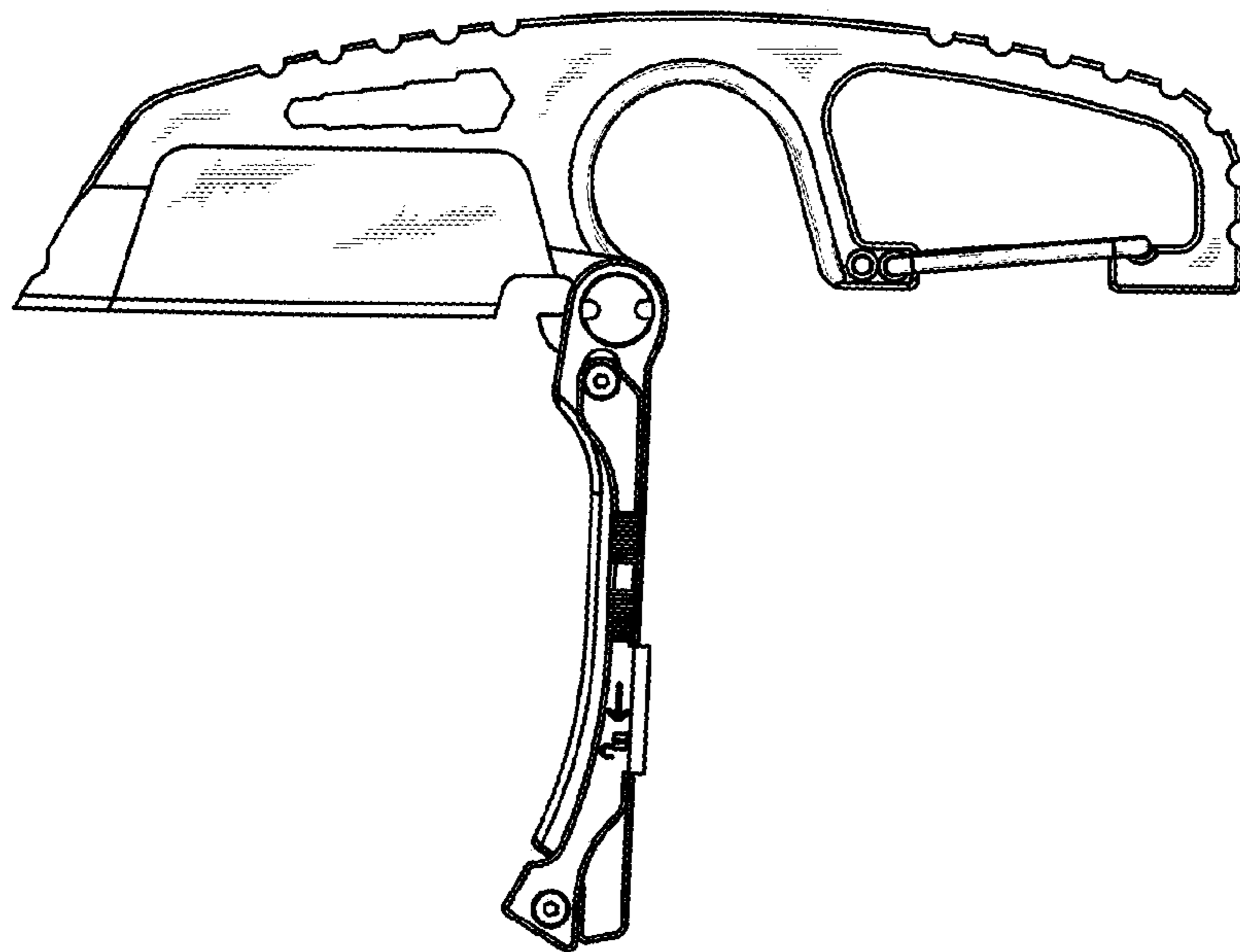


FIG. 6

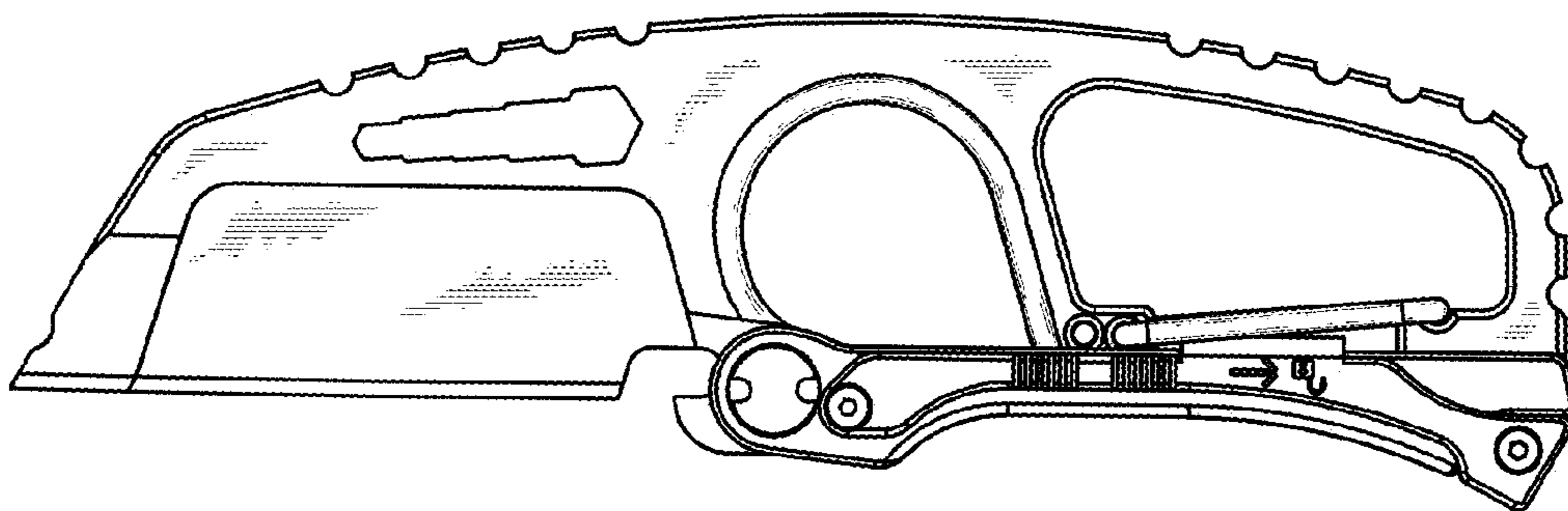


FIG. 7

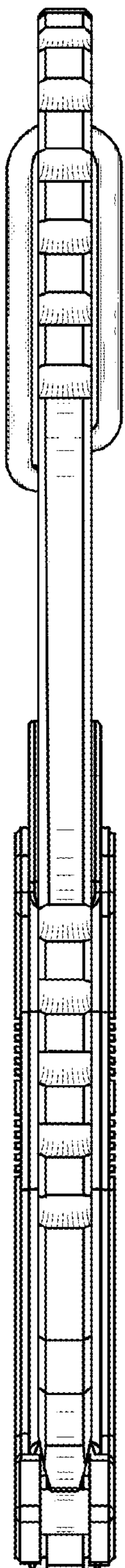


FIG. 8

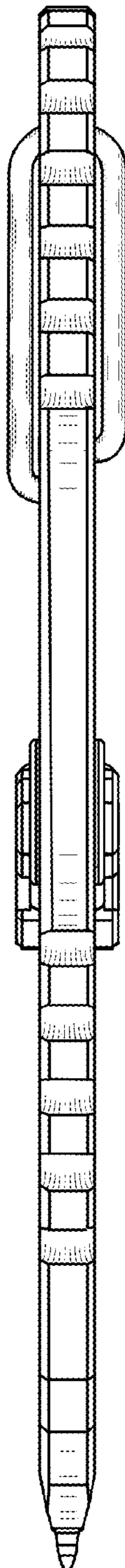


FIG. 9

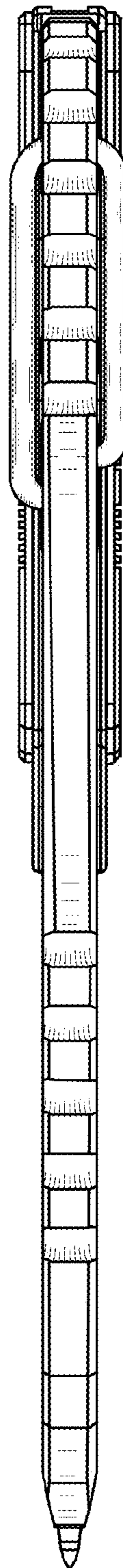


FIG. 10

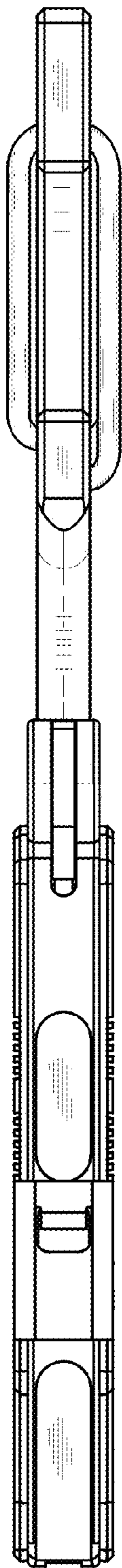


FIG. 11

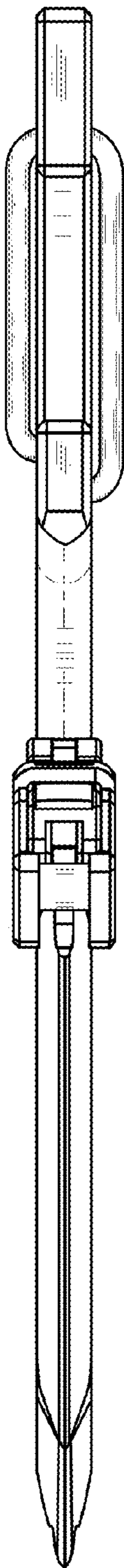


FIG. 12

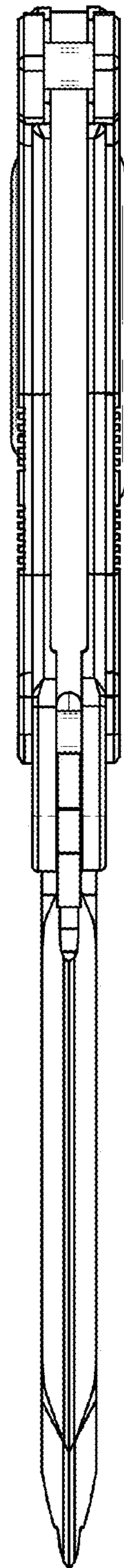


FIG. 13

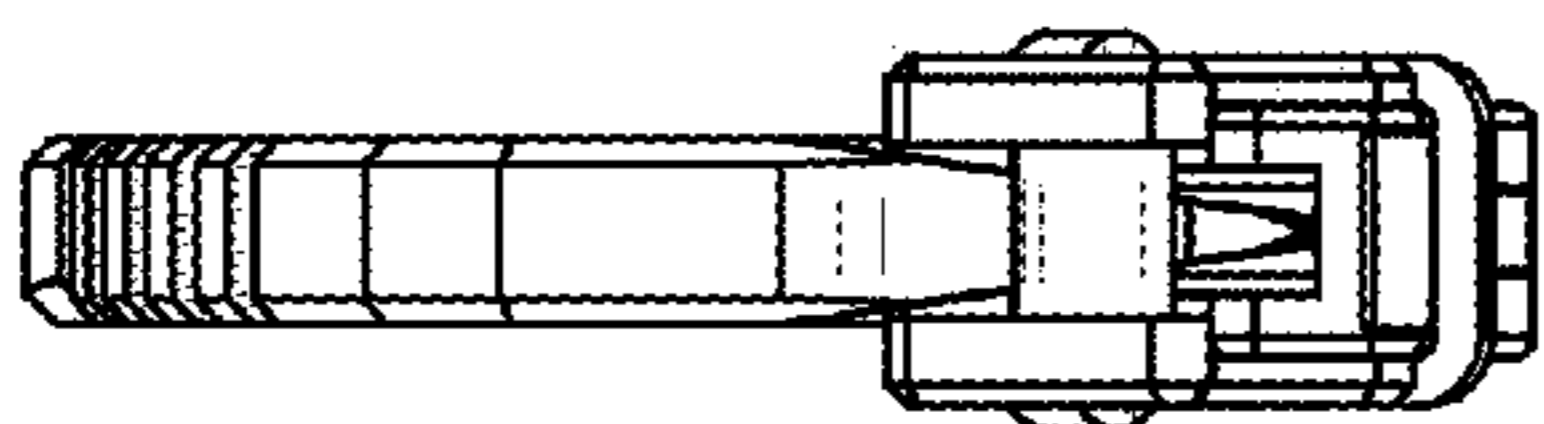
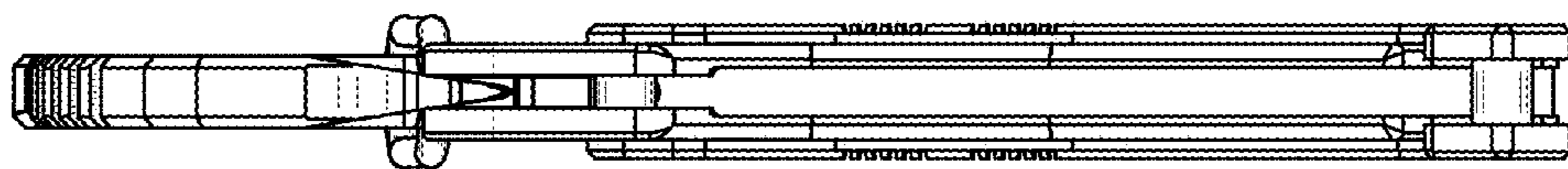
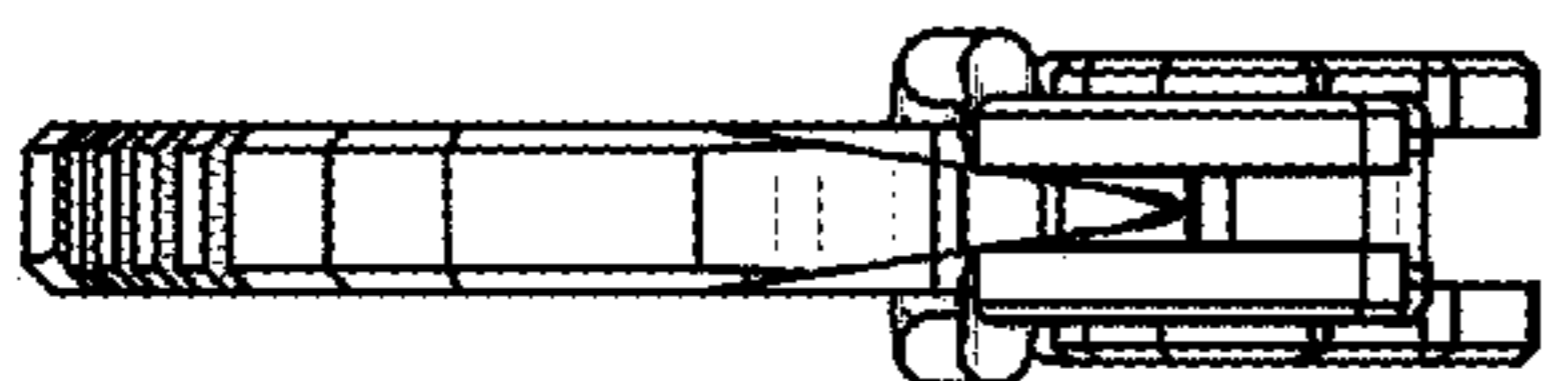


FIG. 16

FIG. 15

FIG. 14

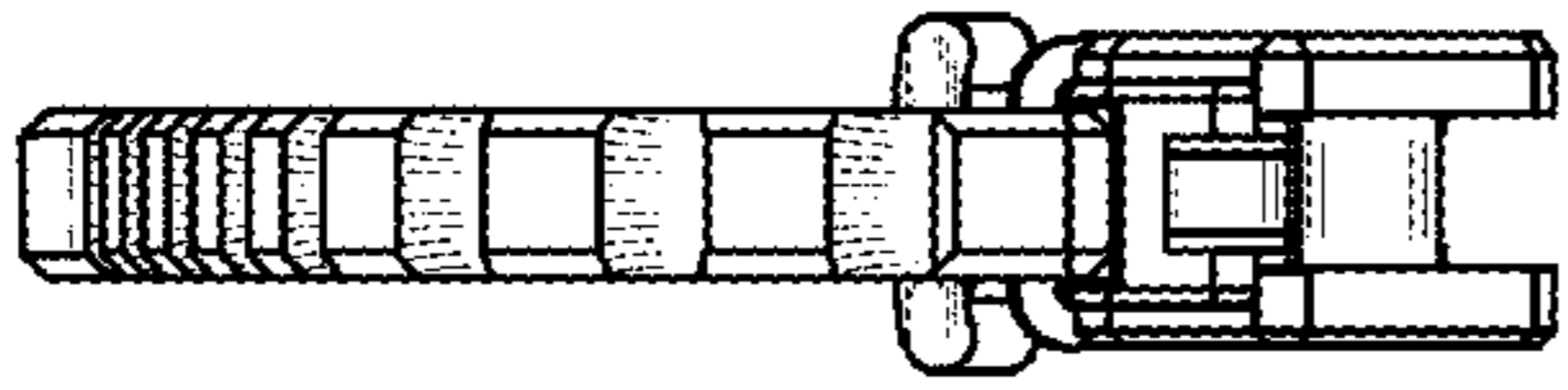


FIG. 17

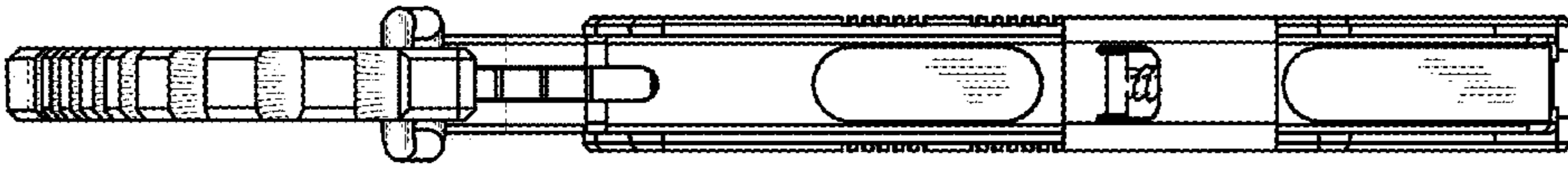


FIG. 18

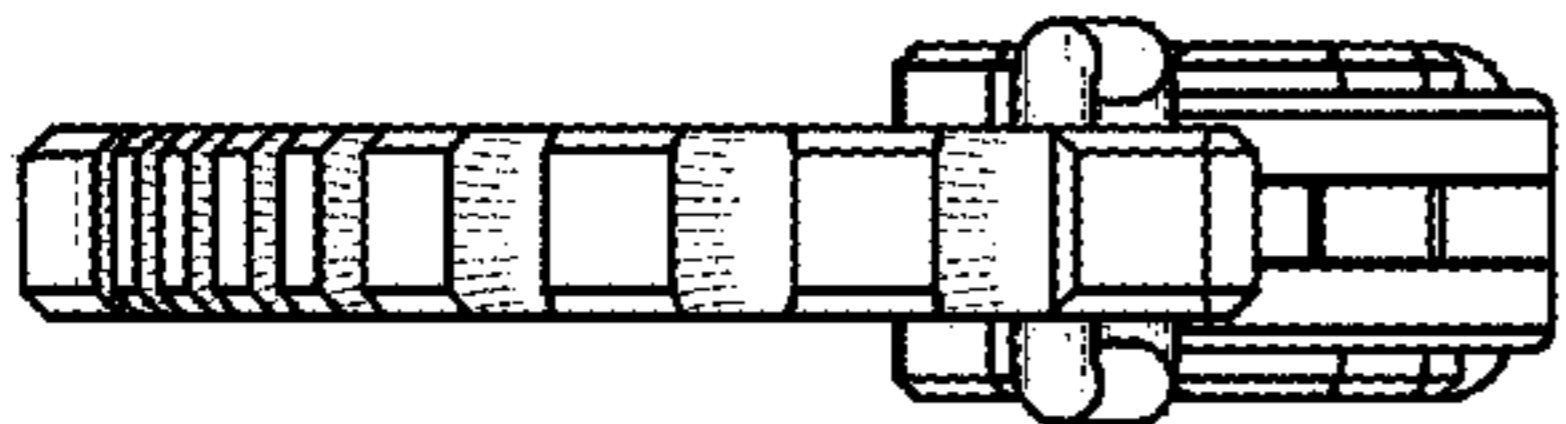


FIG. 19