



US00D746117S

(12) **United States Design Patent**  
**Hartshorn et al.**

(10) **Patent No.:** **US D746,117 S**

(45) **Date of Patent:** **\*\* Dec. 29, 2015**

(54) **SCISSORS**

(71) Applicant: **JOSEPH JOSEPH LTD**, London (GB)

(72) Inventors: **Richard Hartshorn**, London (GB);  
**Edward Goodwin**, London (GB)

(73) Assignee: **Joseph Joseph Ltd.**, London (GB)

(\*\*) Term: **14 Years**

(21) Appl. No.: **29/476,618**

(22) Filed: **Dec. 16, 2013**

(30) **Foreign Application Priority Data**

Aug. 5, 2013 (EM) ..... 002287029-0002

(51) **LOC (10) Cl.** ..... **08-03**

(52) **U.S. Cl.**  
USPC ..... **D8/57**

(58) **Field of Classification Search**  
USPC ..... D8/4, 5, 51-58, 105, 107; D21/532;  
D27/195; D28/44, 57; 30/131, 195,  
30/229, 194, 230-235, 268, 350, 254-258,  
30/262; 7/135, 136, 693  
CPC ..... B26B 13/14; B26B 13/16  
See application file for complete search history.

(56) **References Cited**

**U.S. PATENT DOCUMENTS**

D331,355 S \* 12/1992 Viemeister ..... D8/57  
5,168,629 A \* 12/1992 Willard ..... 30/231

D339,725 S \* 9/1993 Birkholz ..... D8/57  
5,659,959 A \* 8/1997 Parlowski ..... 30/232  
D460,333 S \* 7/2002 Carpenter et al. .... D8/57  
D484,761 S \* 1/2004 Levine et al. .... D8/57  
D536,940 S \* 2/2007 Peterson et al. .... D8/57  
D623,917 S \* 9/2010 Goetz et al. .... D8/57  
D642,878 S \* 8/2011 Bhasin ..... D7/693  
D651,493 S \* 1/2012 Bhasin ..... D8/57  
D718,593 S \* 12/2014 Roberts et al. .... D8/57  
D720,968 S \* 1/2015 Roberts et al. .... D8/5  
2007/0144015 A1 \* 6/2007 Peterson et al. .... 30/262

\* cited by examiner

*Primary Examiner* — Ian Simmons

*Assistant Examiner* — Harold Blackwell, II

(74) *Attorney, Agent, or Firm* — Millen, White, Zelano & Branigan, P.C.

(57) **CLAIM**

The ornamental design for a scissors, as shown and described.

**DESCRIPTION**

FIG. 1 is a perspective view of the scissors showing my new design.

FIG. 2 is a side view thereof.

FIG. 3 is another side view thereof.

FIG. 4 is another side view thereof.

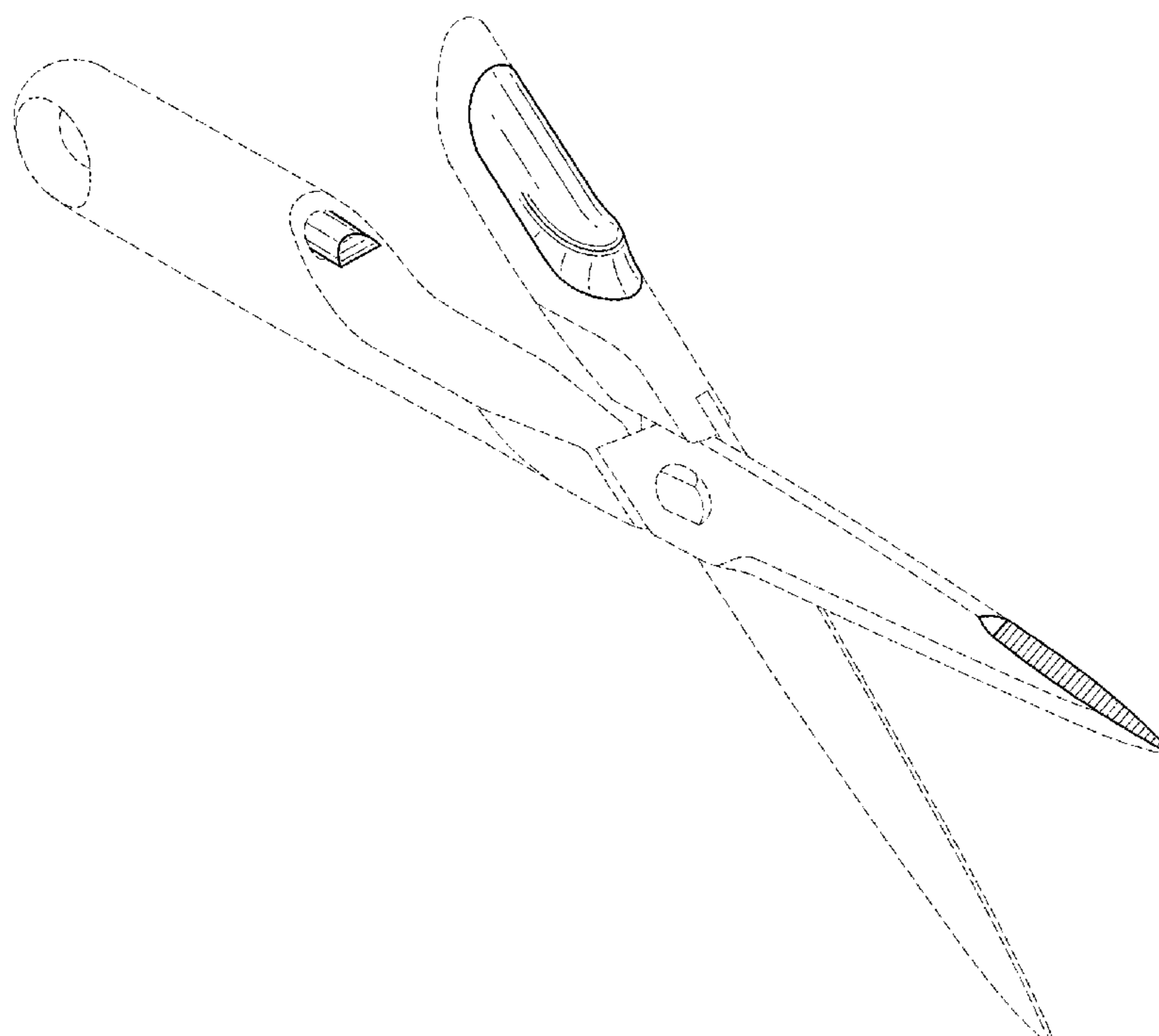
FIG. 5 is another side view thereof.

FIG. 6 is a top view thereof; and,

FIG. 7 is bottom view thereof.

The broken lines in the drawings illustrate portions of the scissors which form no part of the claimed design.

**1 Claim, 6 Drawing Sheets**



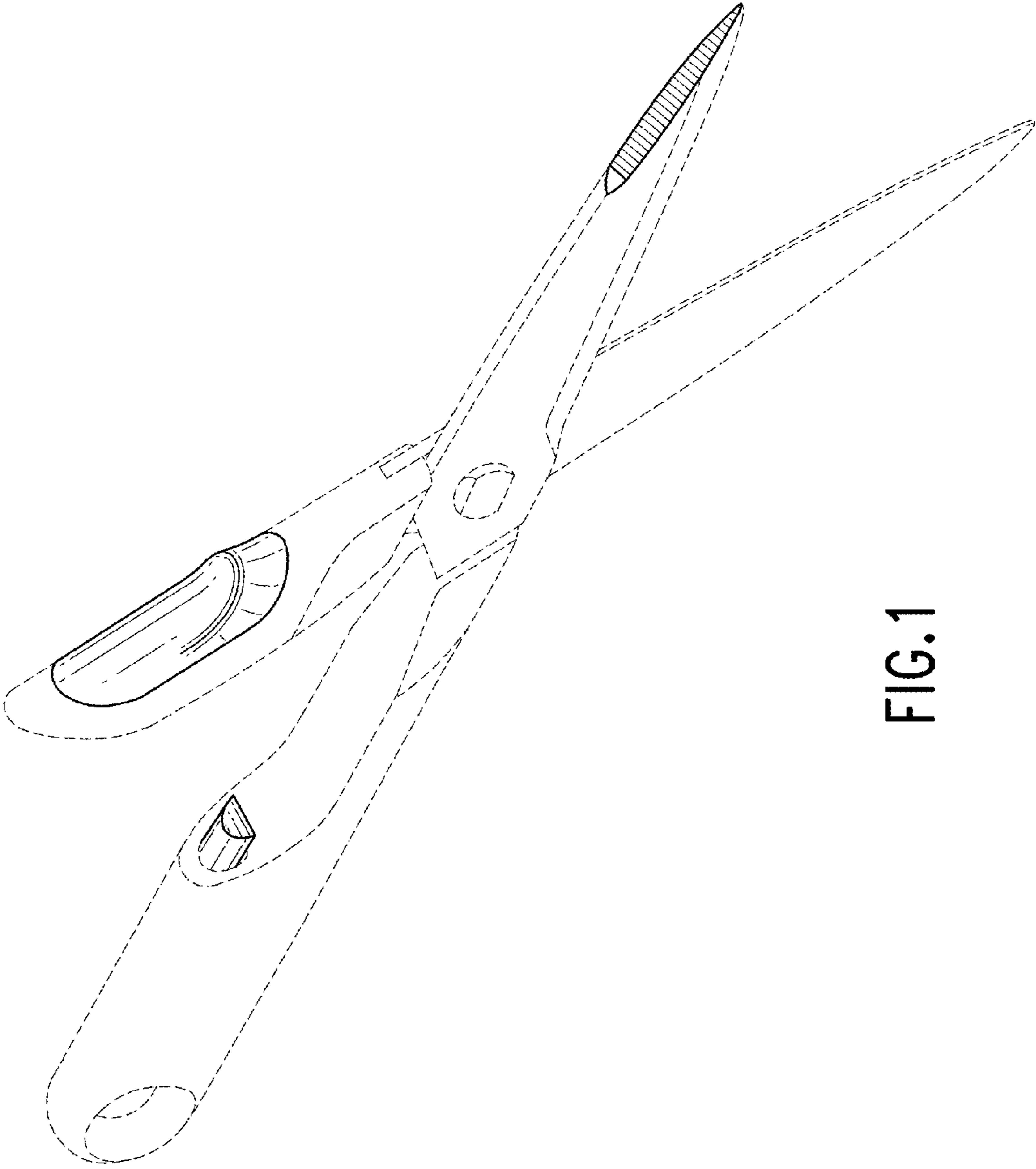


FIG. 1

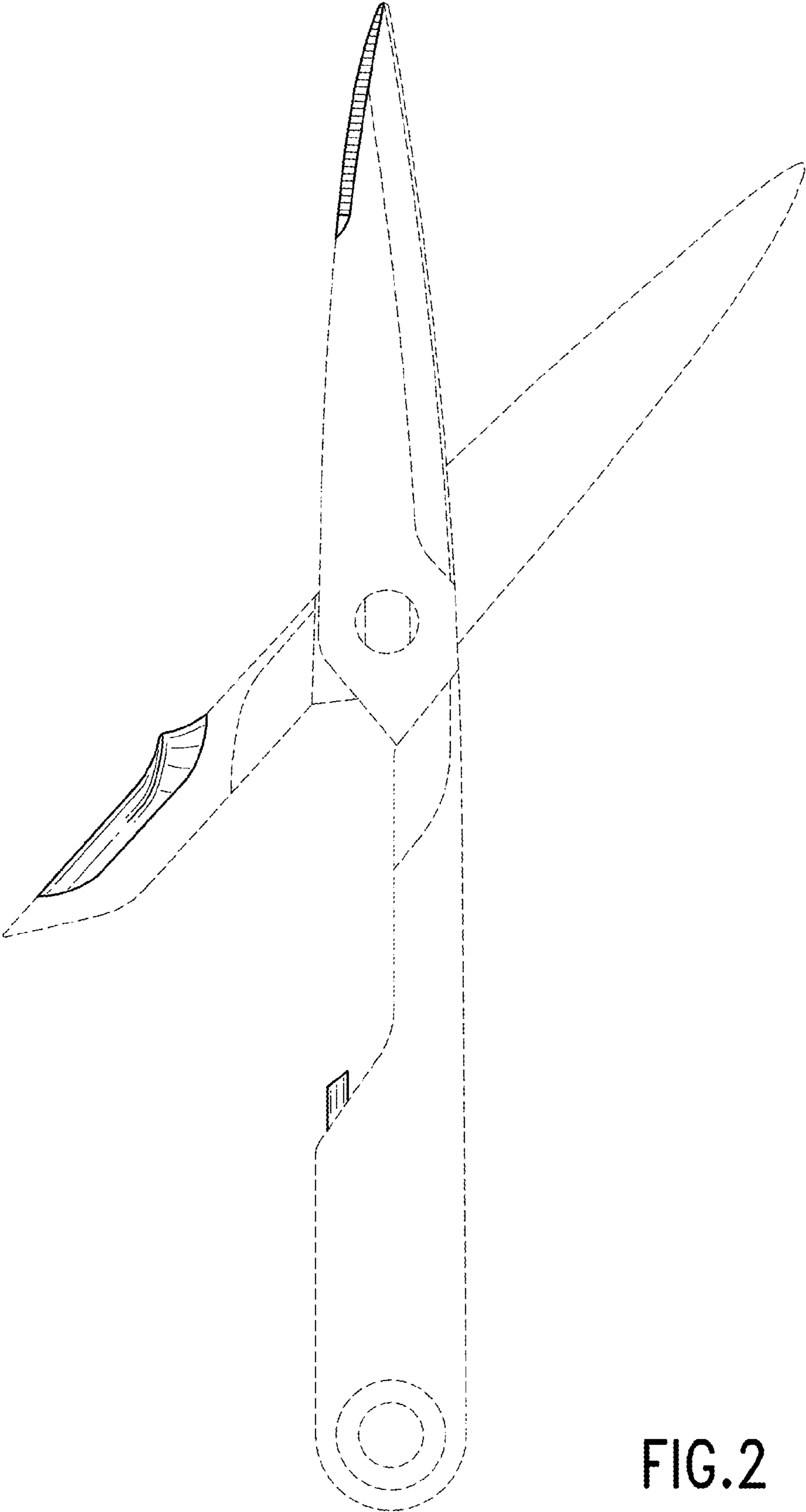


FIG.2

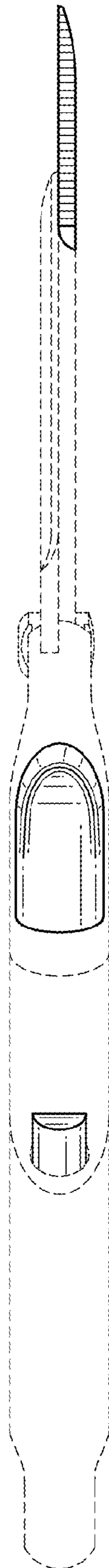


FIG. 3

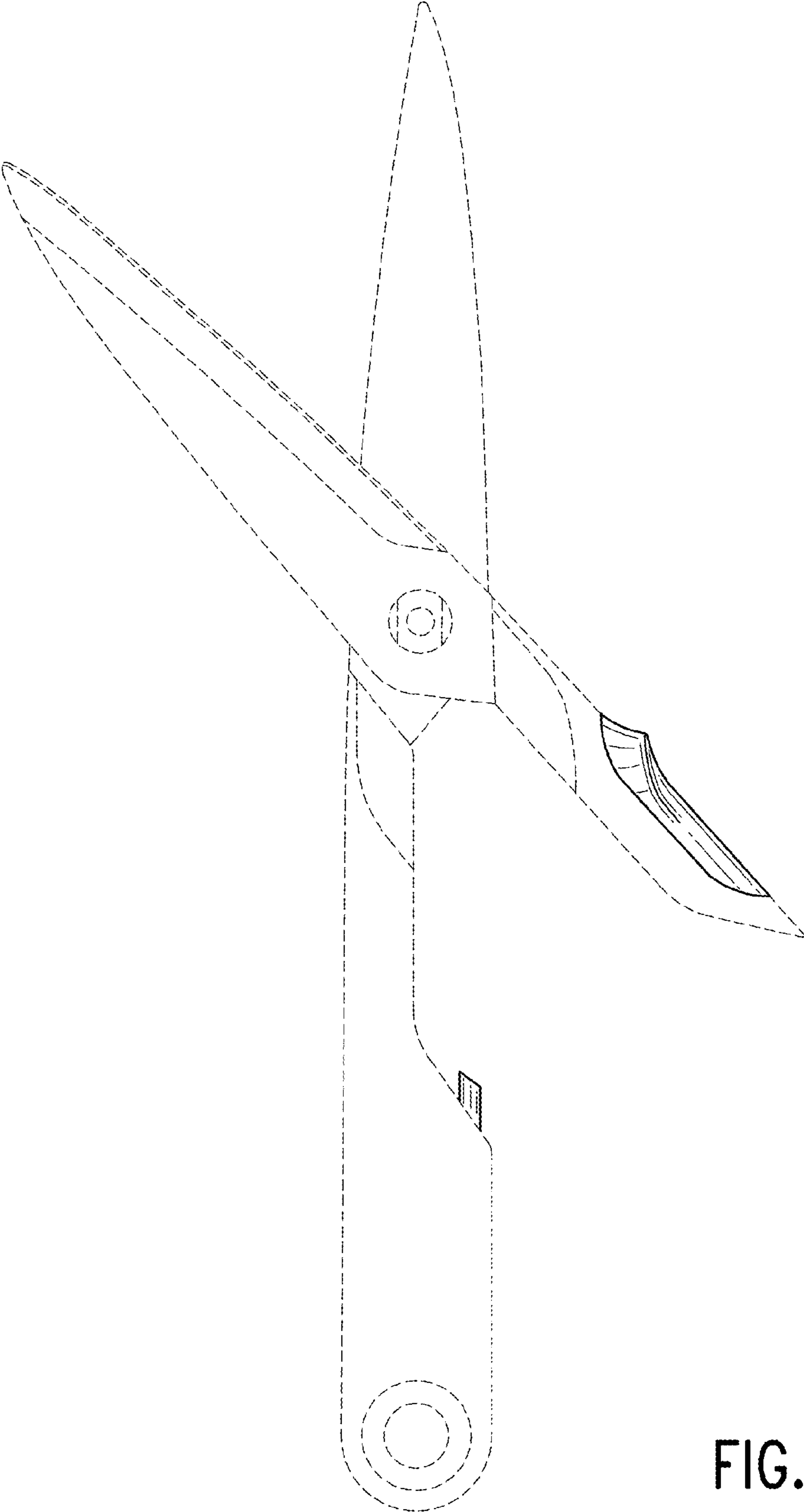


FIG. 4

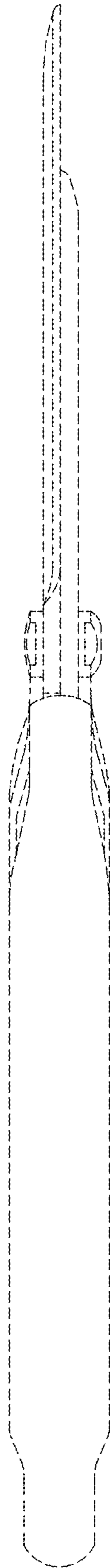


FIG.5

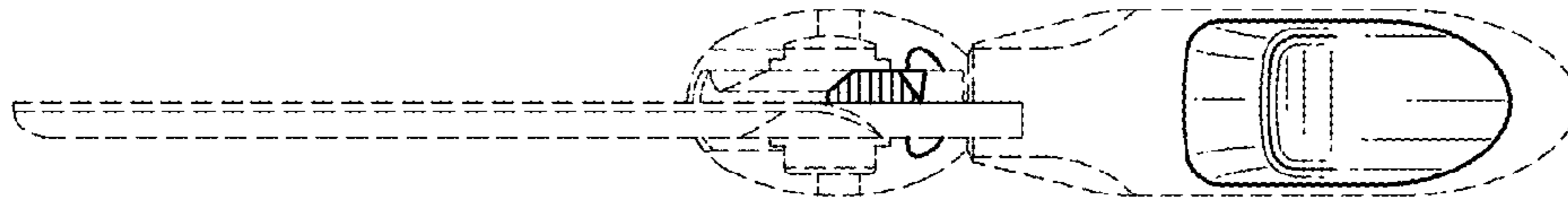


FIG. 6

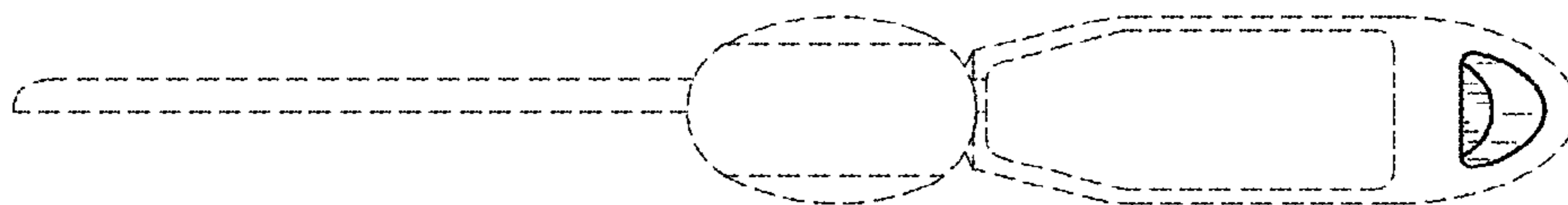


FIG. 7