



US00D746116S

(12) **United States Design Patent**
Ohno et al.

(10) **Patent No.:** **US D746,116 S**

(45) **Date of Patent:** **** *Dec. 29, 2015**

(54) **SHAFT ADAPTER**

(71) Applicant: **Kuroda Precision Industries Ltd.**,
Kawasaki-shi, Kanagawa (JP)

(72) Inventors: **Toshiaki Ohno**, Kimitsu (JP);
Katsuhiko Sato, Sagamihara (JP)

(73) Assignees: **Kuroda Precision Industries Ltd.**,
Kawasaki-shi, Kanagawa (JP); **Y.M.**
Laboratory Co., Ltd., Kawasaki-shi,
Kanagawa (JP)

(*) Notice: This patent is subject to a terminal dis-
claimer.

(**) Term: **14 Years**

(21) Appl. No.: **29/456,134**

(22) Filed: **May 29, 2013**

(30) **Foreign Application Priority Data**

Nov. 30, 2012 (JP) 2012-029262

(51) **LOC (10) Cl.** **08-05**

(52) **U.S. Cl.**
USPC **D8/51**

(58) **Field of Classification Search**
USPC D8/40, 44, 81, 86, 499, 51; 451/450,
451/177, 342, 359; 254/92, 101; 454/342
CPC F16H 25/20
See application file for complete search history.

(56) **References Cited**

U.S. PATENT DOCUMENTS

5,943,919 A * 8/1999 Babinski 74/665 GD
6,835,114 B2 * 12/2004 Sjolander 454/342
7,510,466 B1 * 3/2009 Norman 451/450

FOREIGN PATENT DOCUMENTS

WO WO 2014083597 A1 * 11/2012 F16H 25/20

* cited by examiner

Primary Examiner — Ian Simmons

Assistant Examiner — Harold Blackwell, II

(74) *Attorney, Agent, or Firm* — Marshall & Melhorn, LLC

(57) **CLAIM**

The ornamental design for a shaft adapter, as shown and
described.

DESCRIPTION

FIG. 1 is a left perspective view of a shaft adapter;
FIG. 2 is a right perspective view thereof;
FIG. 3 is a front view thereof;
FIG. 4 is a back view thereof;
FIG. 5 is a left side view thereof;
FIG. 6 is a right side view thereof;
FIG. 7 is a top view thereof;
FIG. 8 is a bottom view thereof;
FIG. 9 is a cross-sectional view thereof taken along line X-X
in FIG. 8; and
FIG. 10 is a cross-sectional view thereof taken along line
XI-XI in FIG. 8; and,
FIG. 11 is a left perspective view for showing the shaft
adapter in use with a ball screw.
The broken lines in the drawings illustrate portions of the
shaft adapter which form no part of the claimed design.

1 Claim, 11 Drawing Sheets

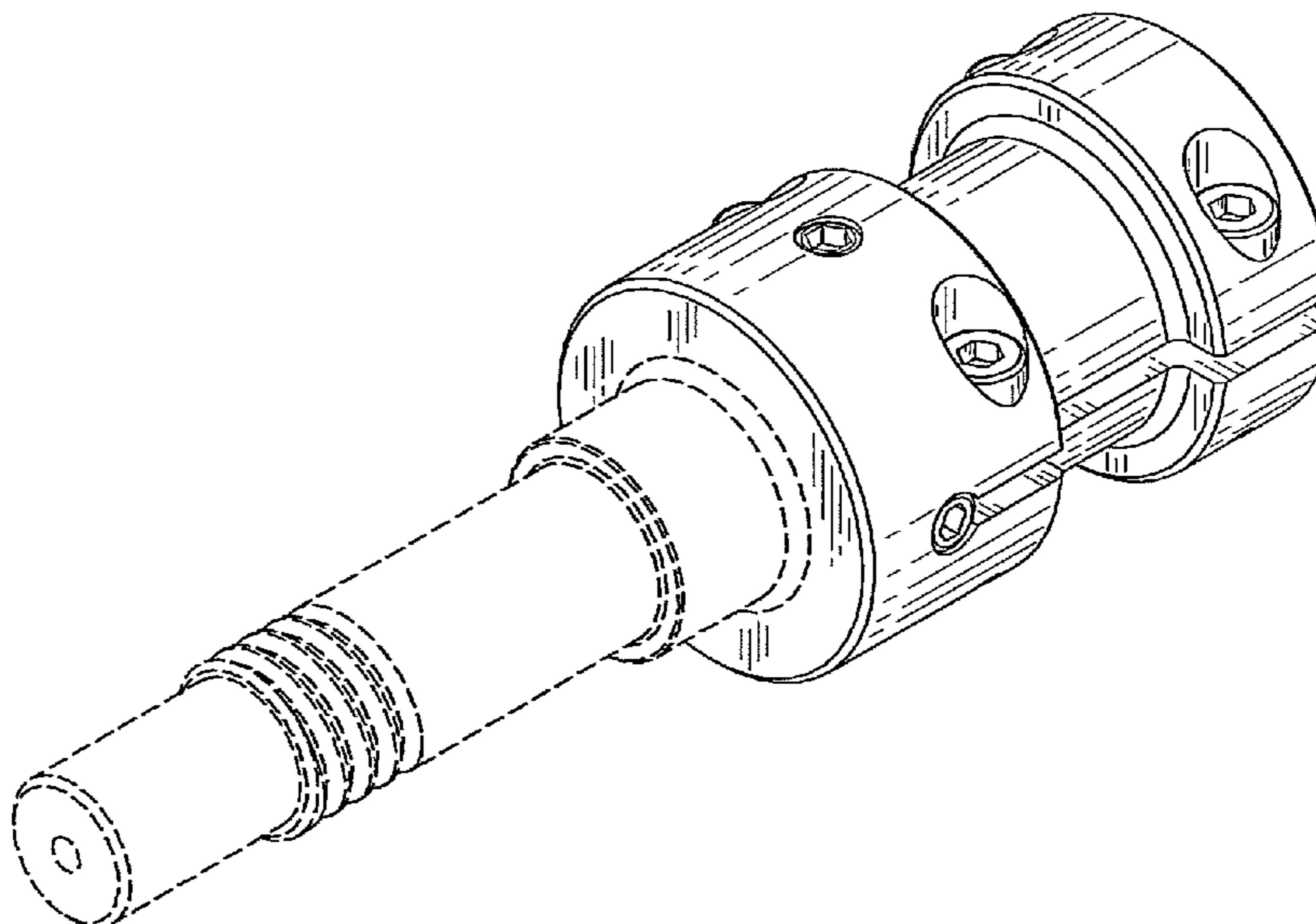


Fig.1

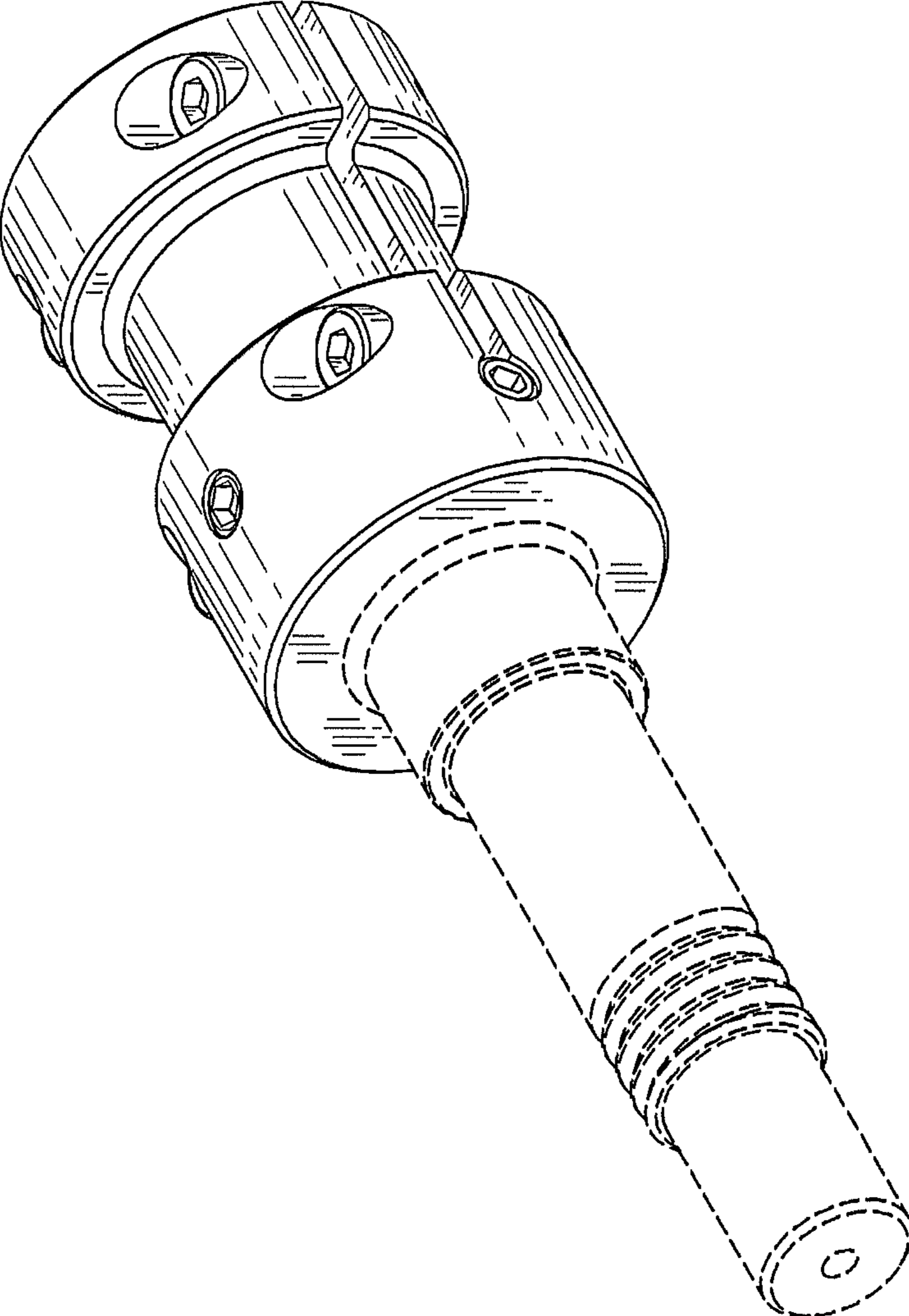


Fig. 2

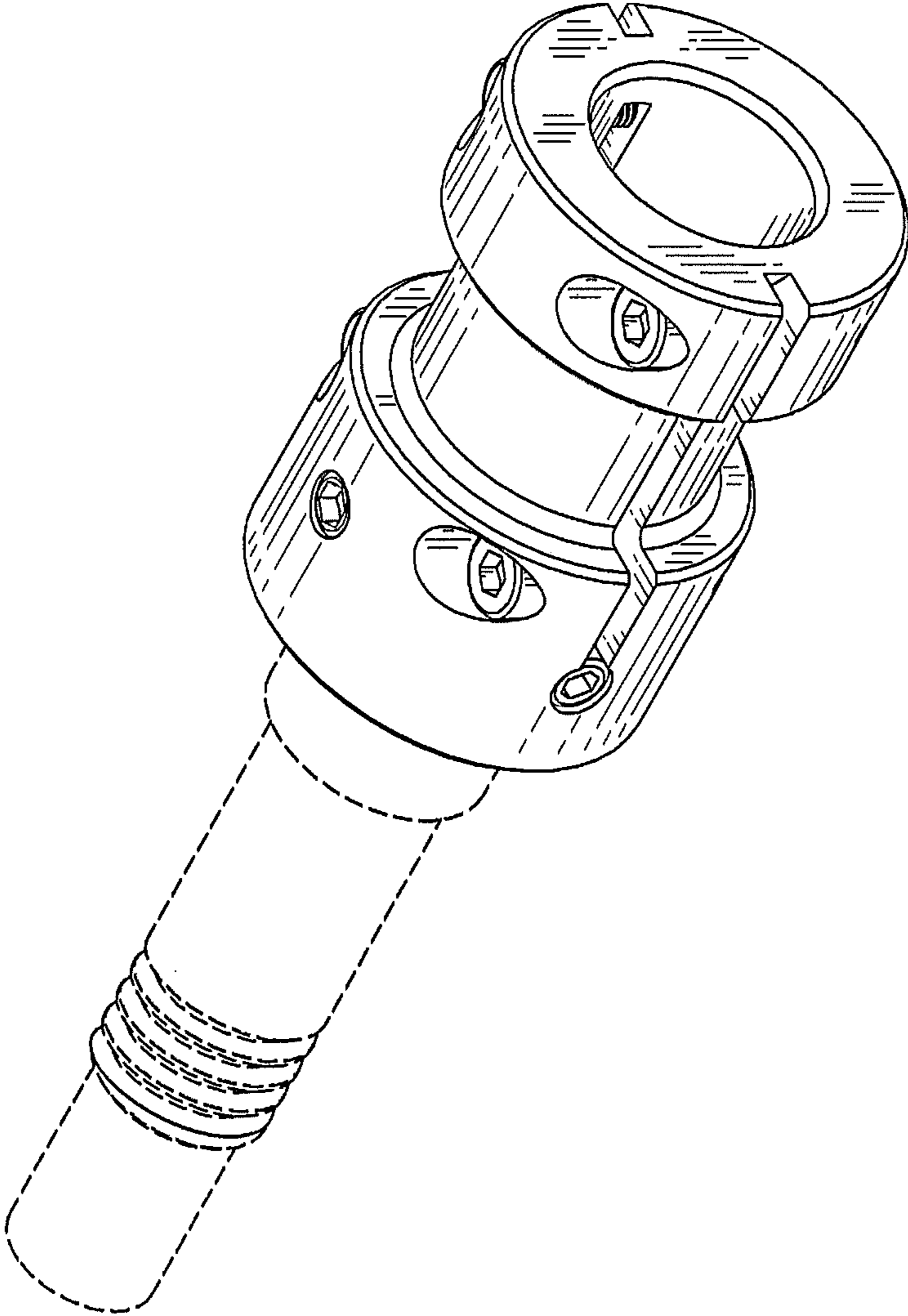


Fig.3

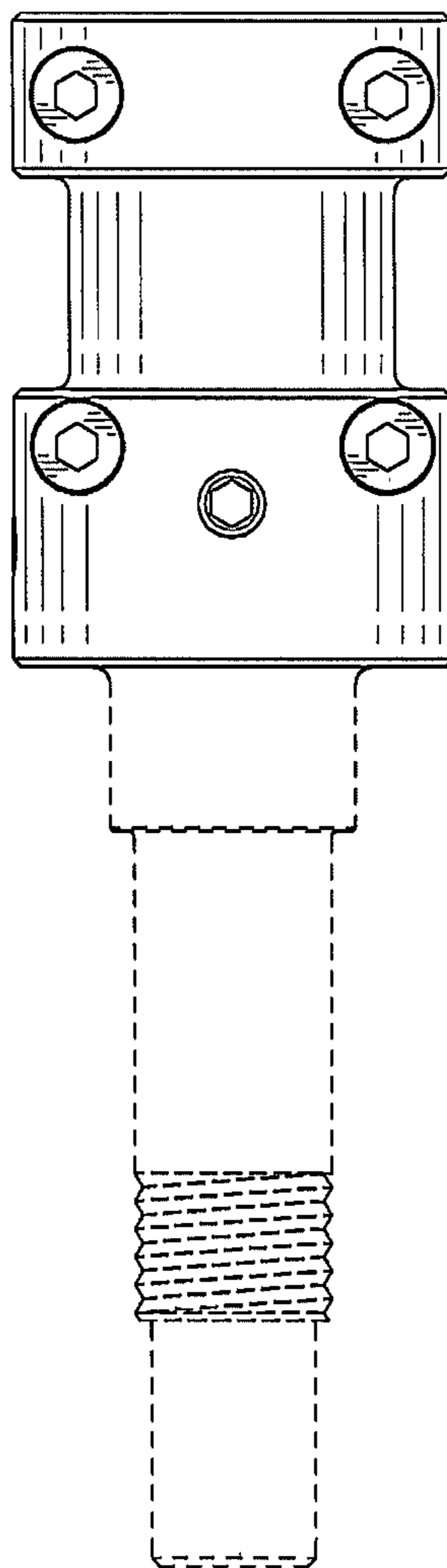


Fig. 4

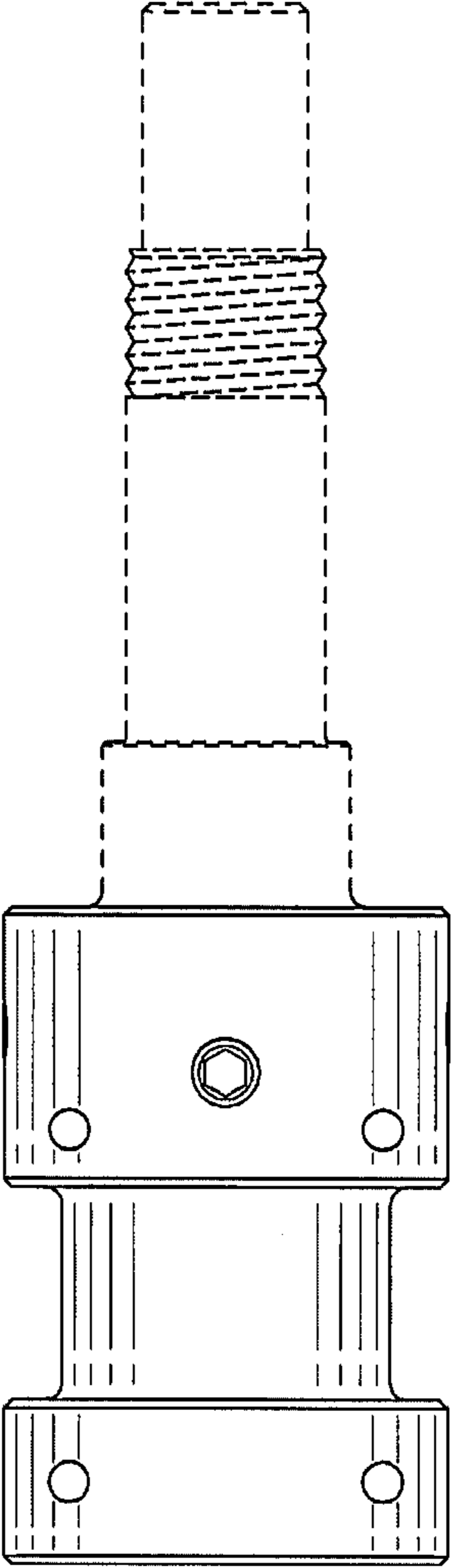


Fig.5

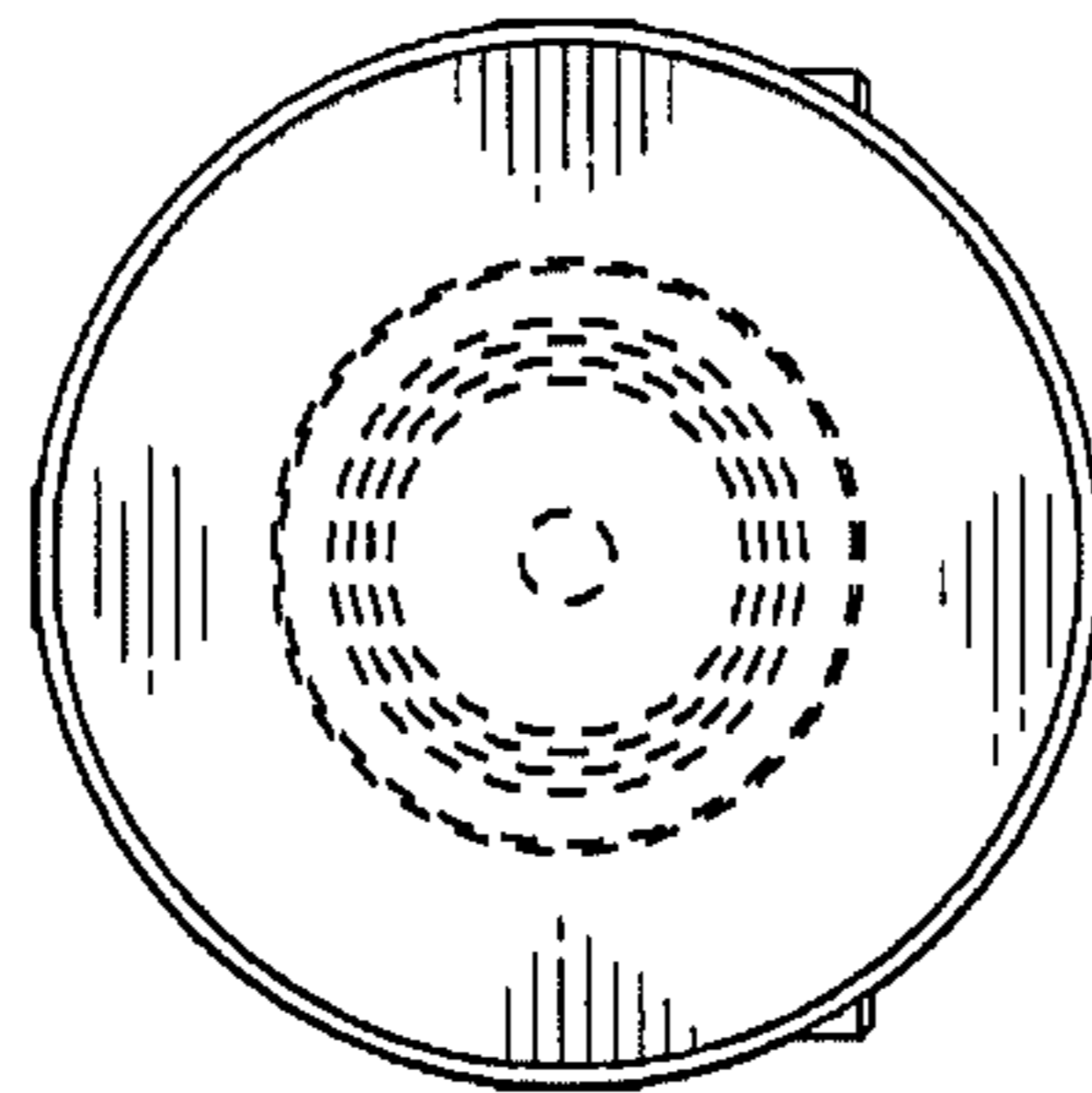


Fig.6

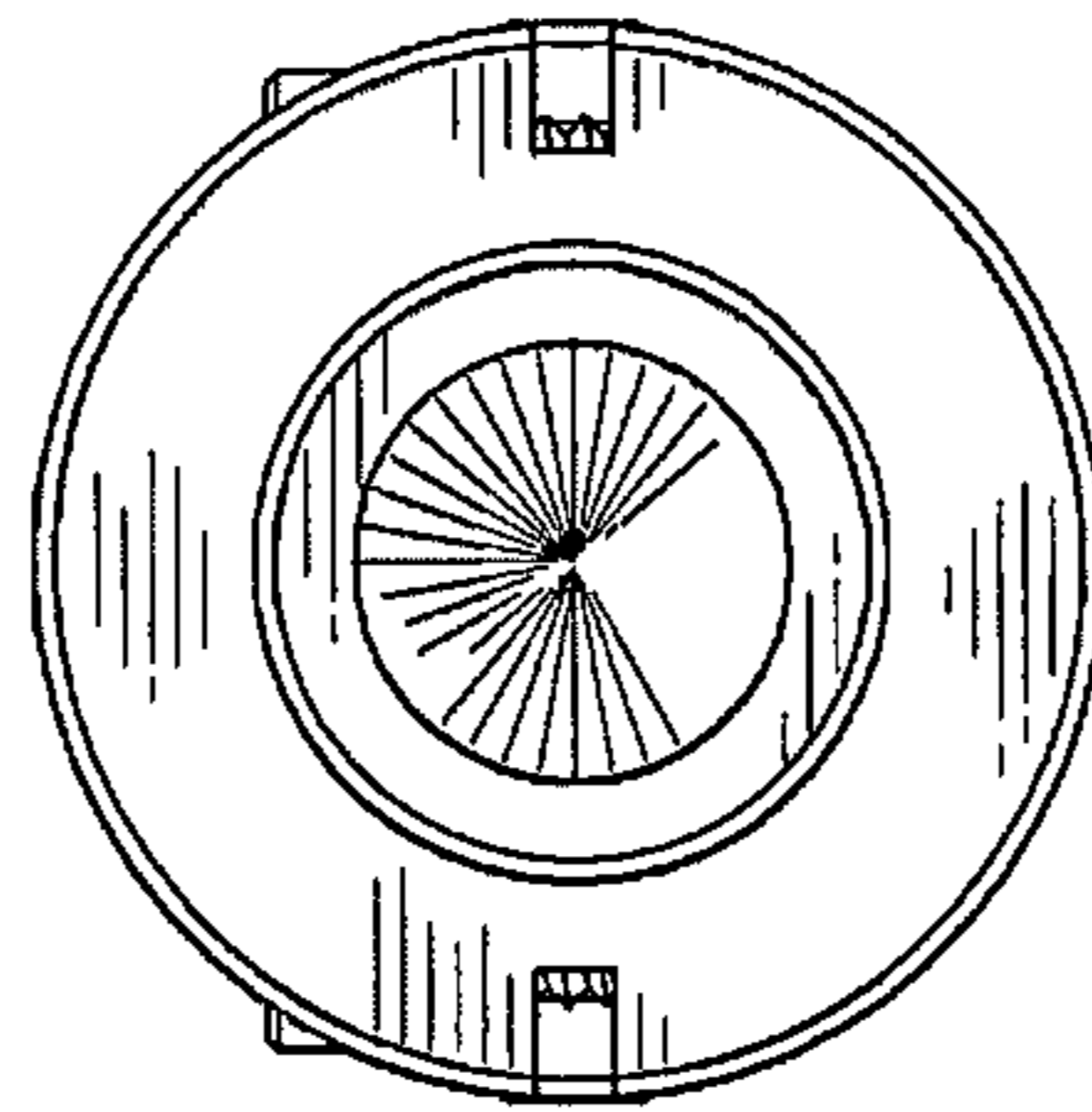


Fig. 7

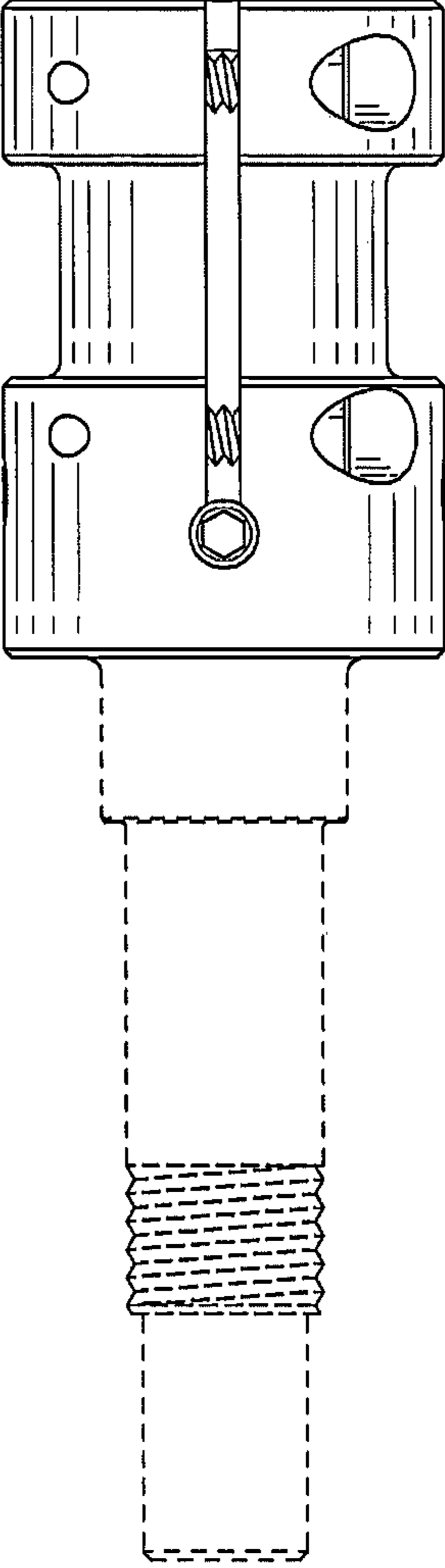


Fig. 8

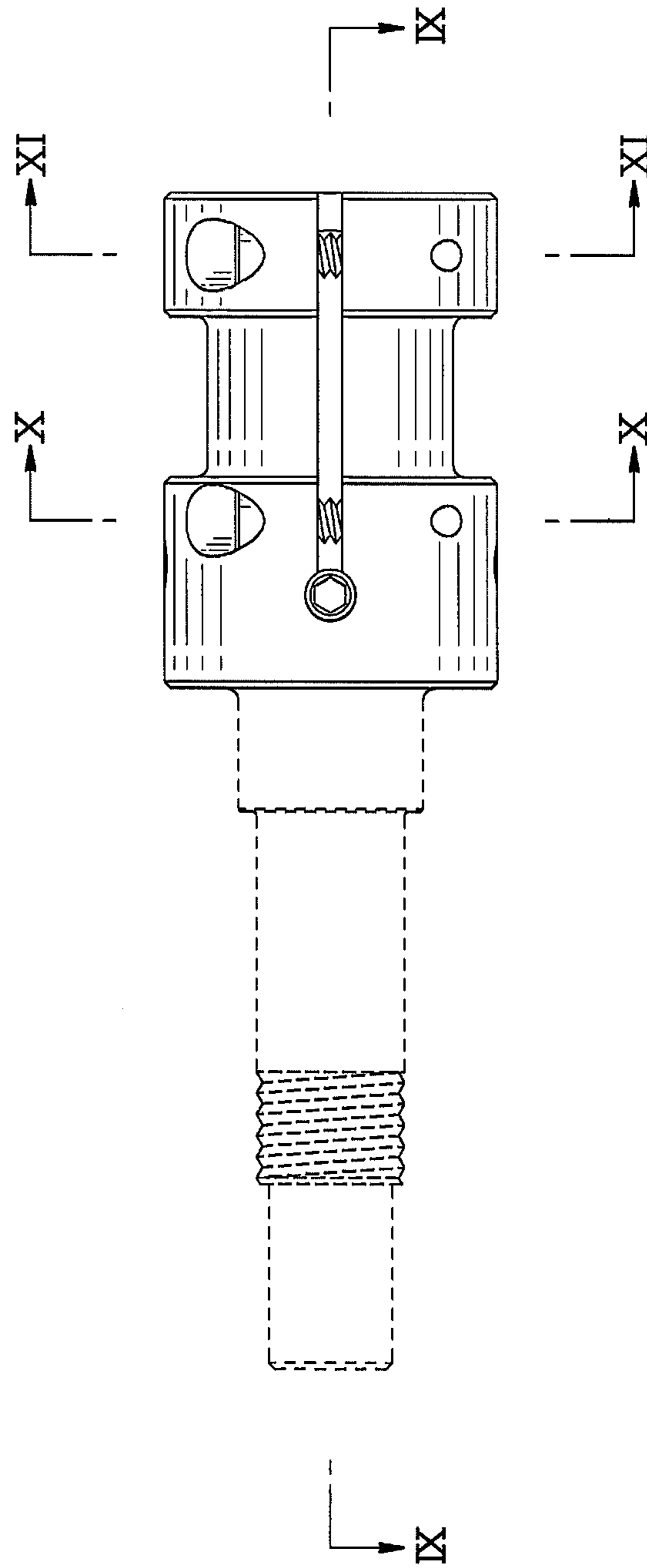


Fig. 9

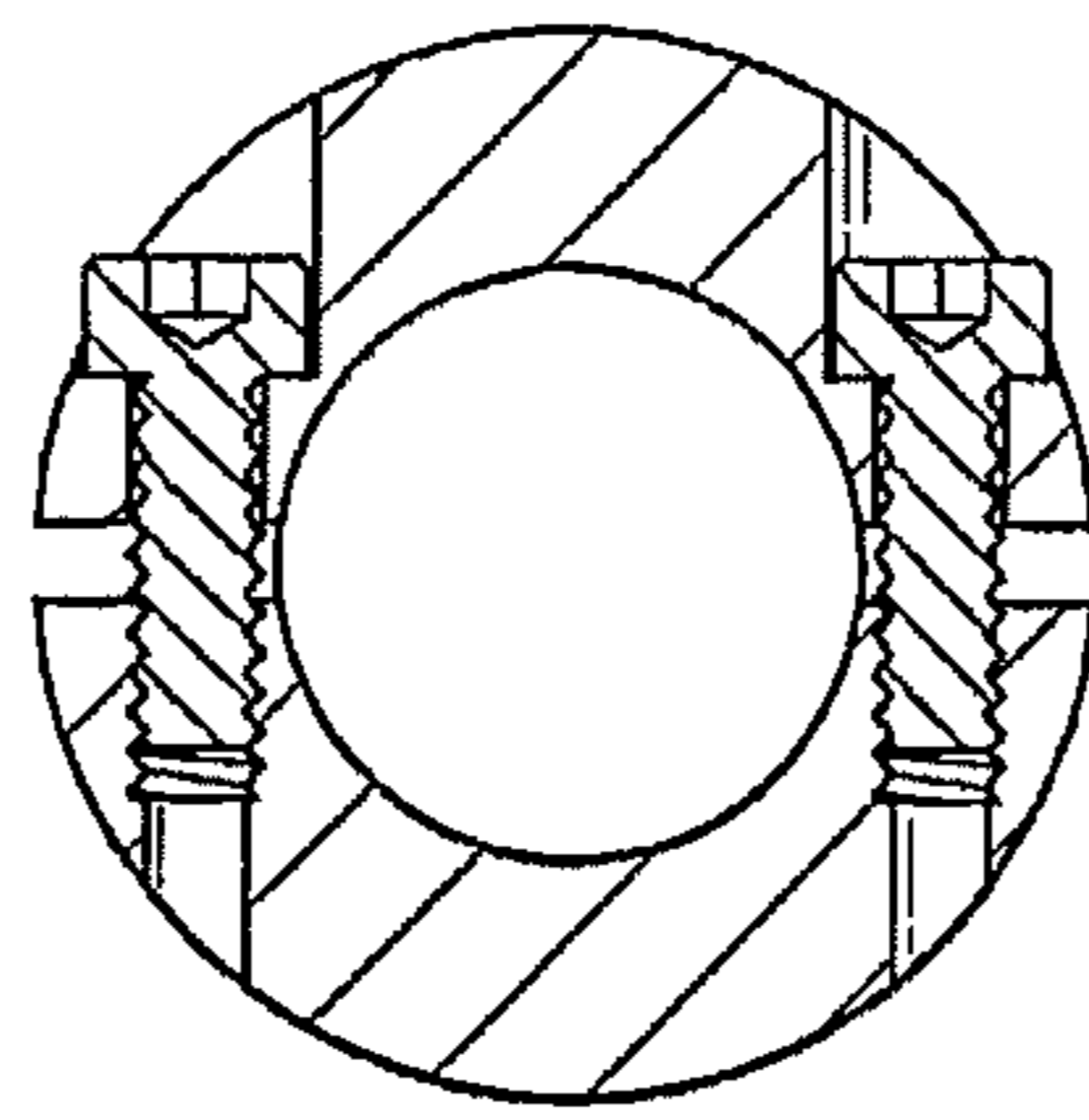


Fig. 10

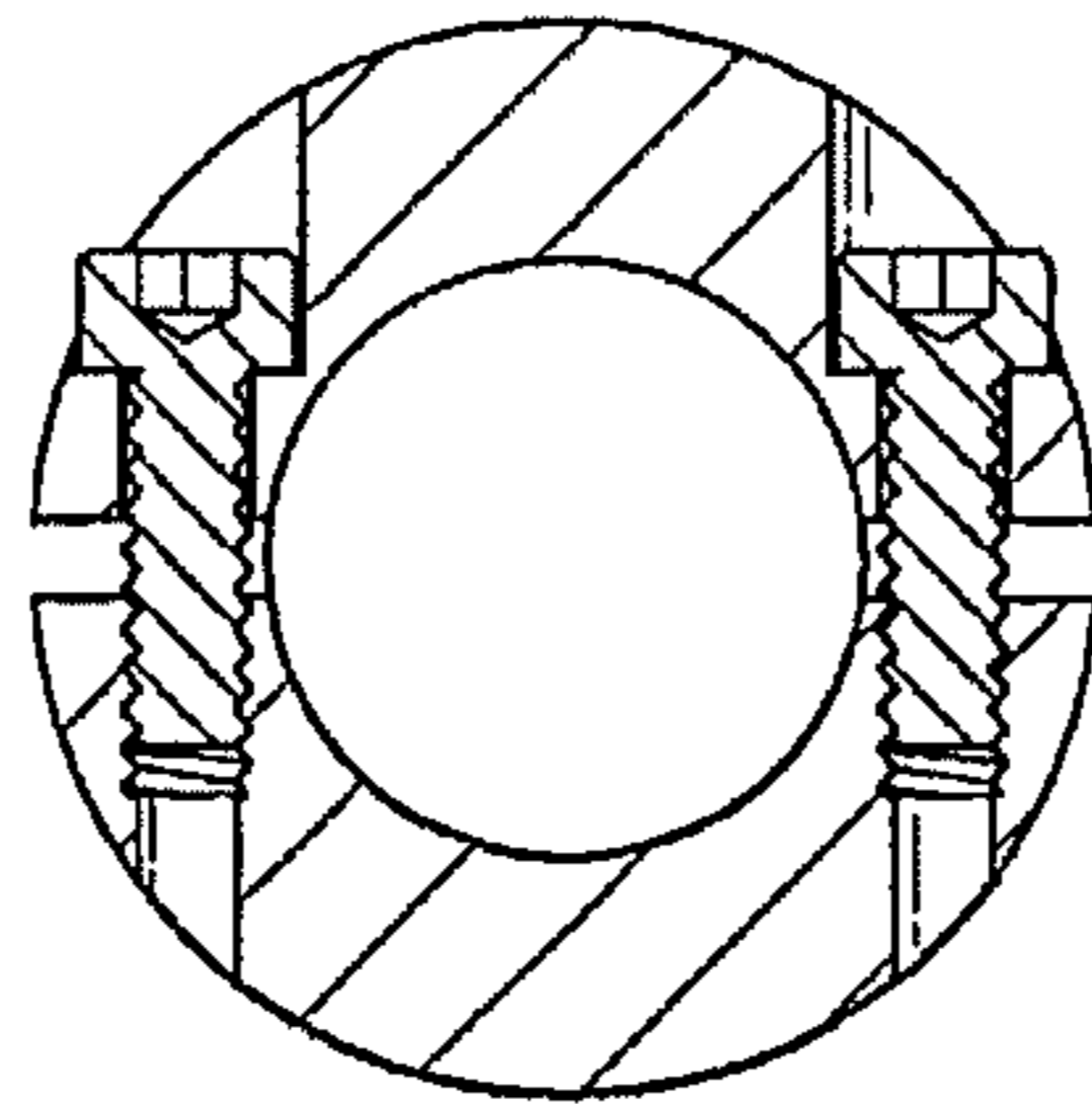


Fig. 11

