



US00D746114S

(12) **United States Design Patent**
Didion

(10) **Patent No.:** **US D746,114 S**

(45) **Date of Patent:** **** Dec. 29, 2015**

(54) **WINE RACK**

(71) Applicant: **Karen Didion**, Lake St. Louis, MO (US)

(72) Inventor: **Karen Didion**, Lake St. Louis, MO (US)

(**) Term: **14 Years**

(21) Appl. No.: **29/474,096**

(22) Filed: **May 30, 2014**

Related U.S. Application Data

(62) Division of application No. 29/463,194, filed on Sep. 3, 2013, now abandoned, which is a division of application No. 29/395,344, filed on Jan. 5, 2012, now Pat. No. Des. 693,656.

(51) **LOC (10) Cl.** **06-04**

(52) **U.S. Cl.**
USPC **D7/702**

(58) **Field of Classification Search**
USPC D7/701-708, 628, 606, 604;
D19/34.1-34.5; 206/457; 211/74,
211/71.01, 50, 42-43; D11/117, 125, 129,
D11/131, 134, 157, 160; 248/441.1;
473/578, 580, 582-586

See application file for complete search history.

(56) **References Cited**

U.S. PATENT DOCUMENTS

D257,806 S * 1/1981 Maune D19/34.3
D708,094 S * 7/2014 Dubow D11/157

* cited by examiner

Primary Examiner — Terry Wallace

(74) *Attorney, Agent, or Firm* — Paul M Denk

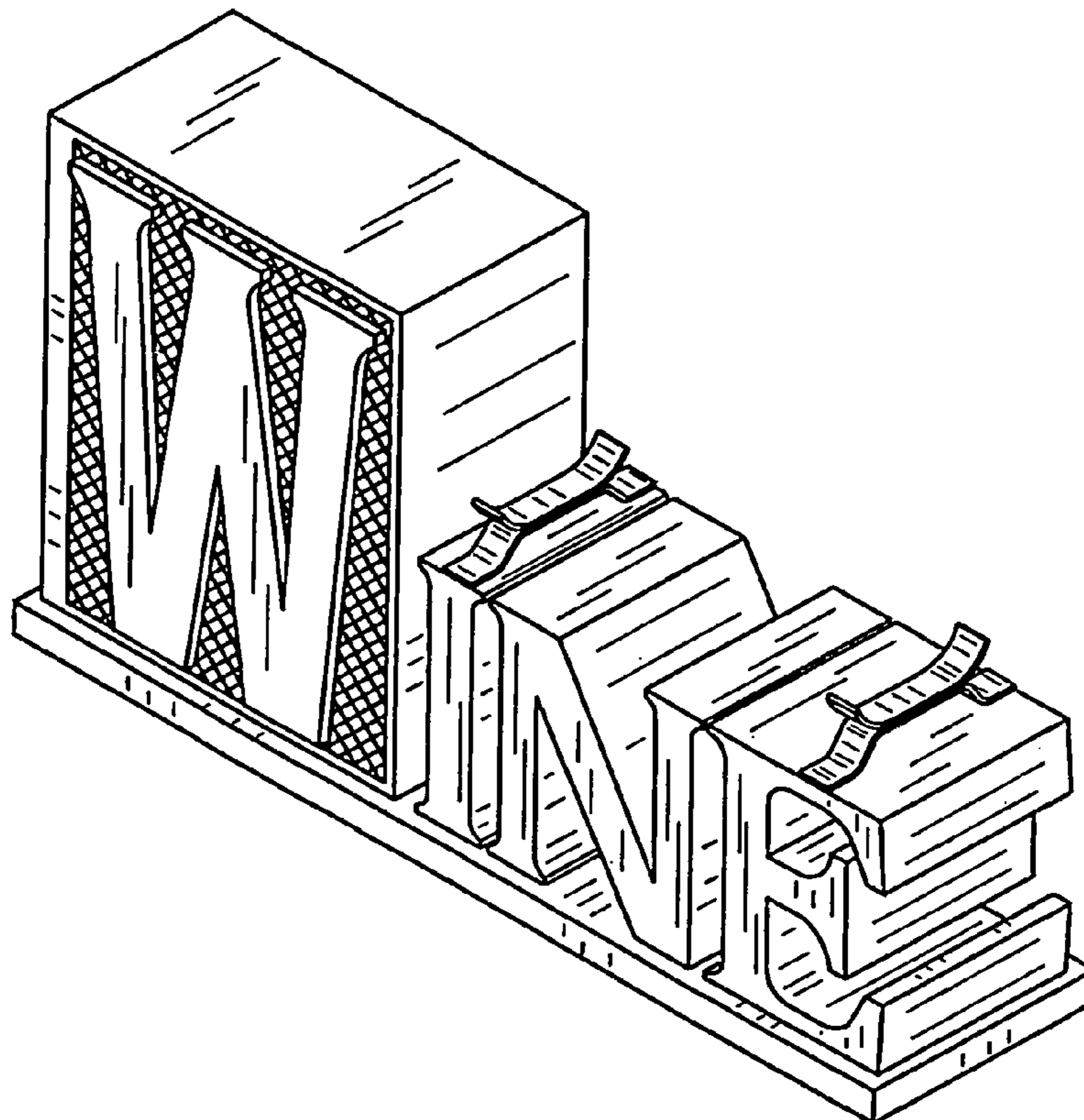
(57) **CLAIM**

The ornamental design for the wine rack, as shown and described.

DESCRIPTION

FIG. 1 is an isometric view of a wine rack;
FIG. 2 is a front view;
FIG. 3 is a back view;
FIG. 4 is a top view;
FIG. 5 is a bottom view;
FIG. 6 is a left side view; and,
FIG. 7 is a right side view.

1 Claim, 2 Drawing Sheets



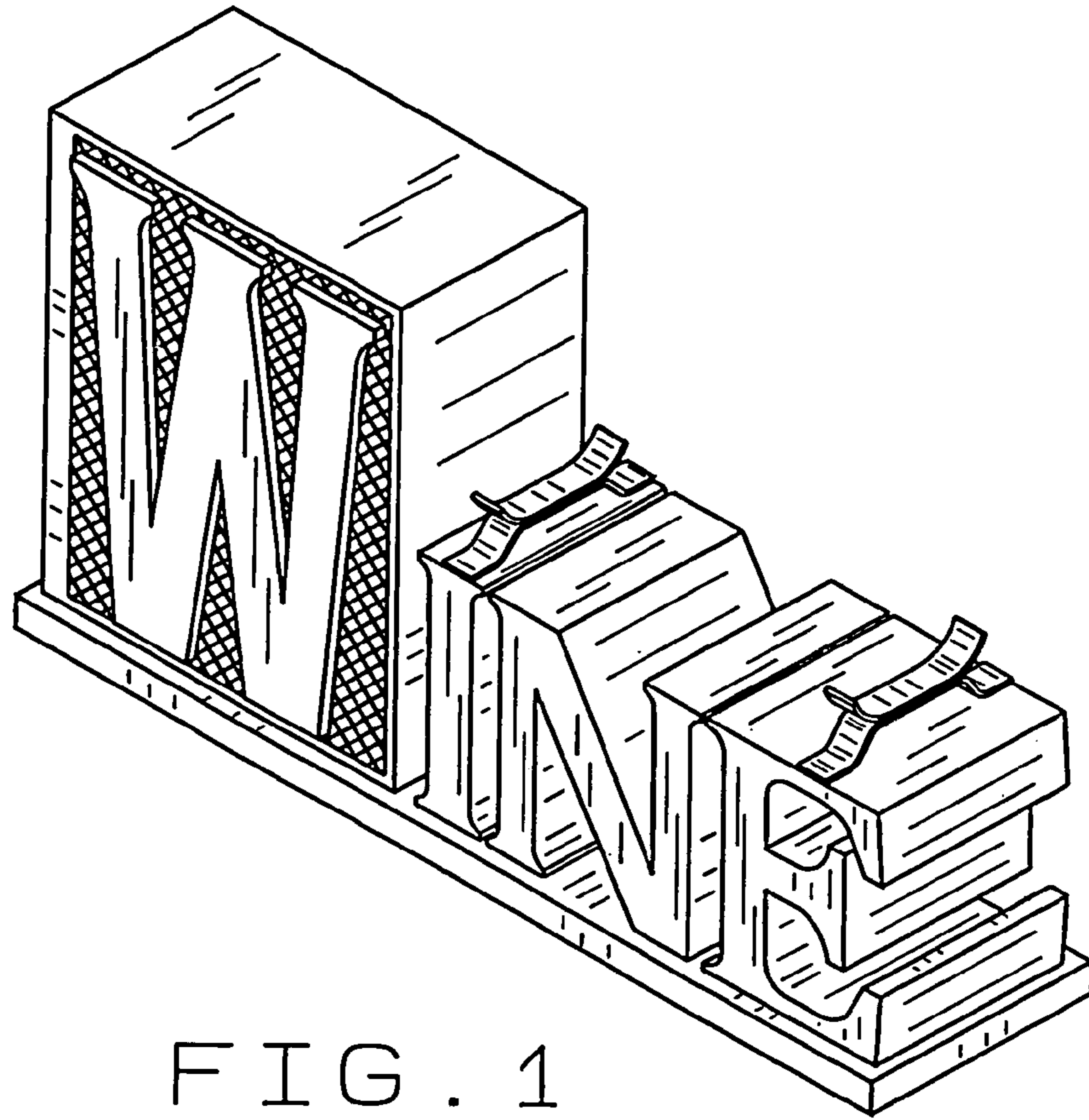


FIG. 1

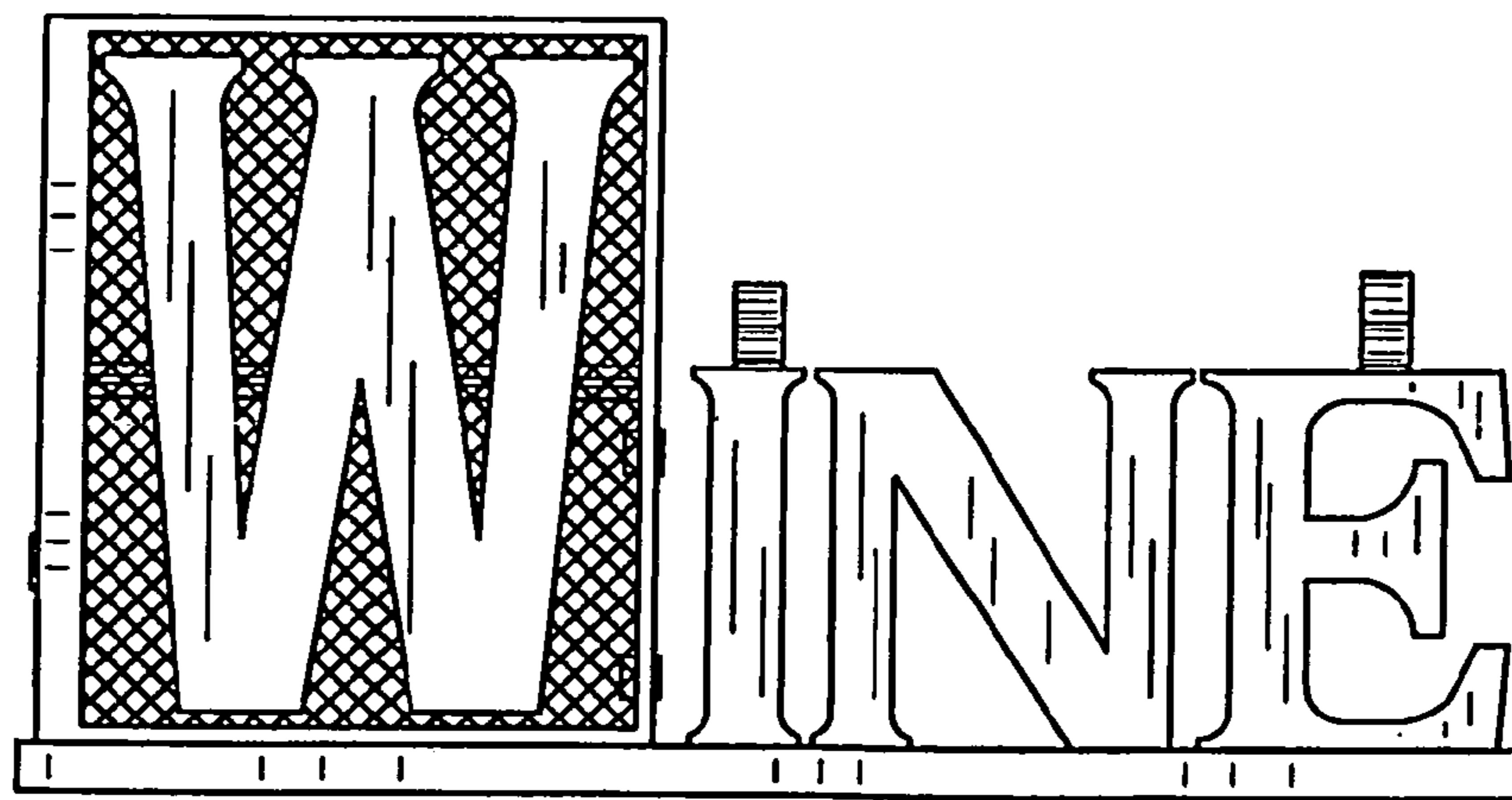


FIG. 2

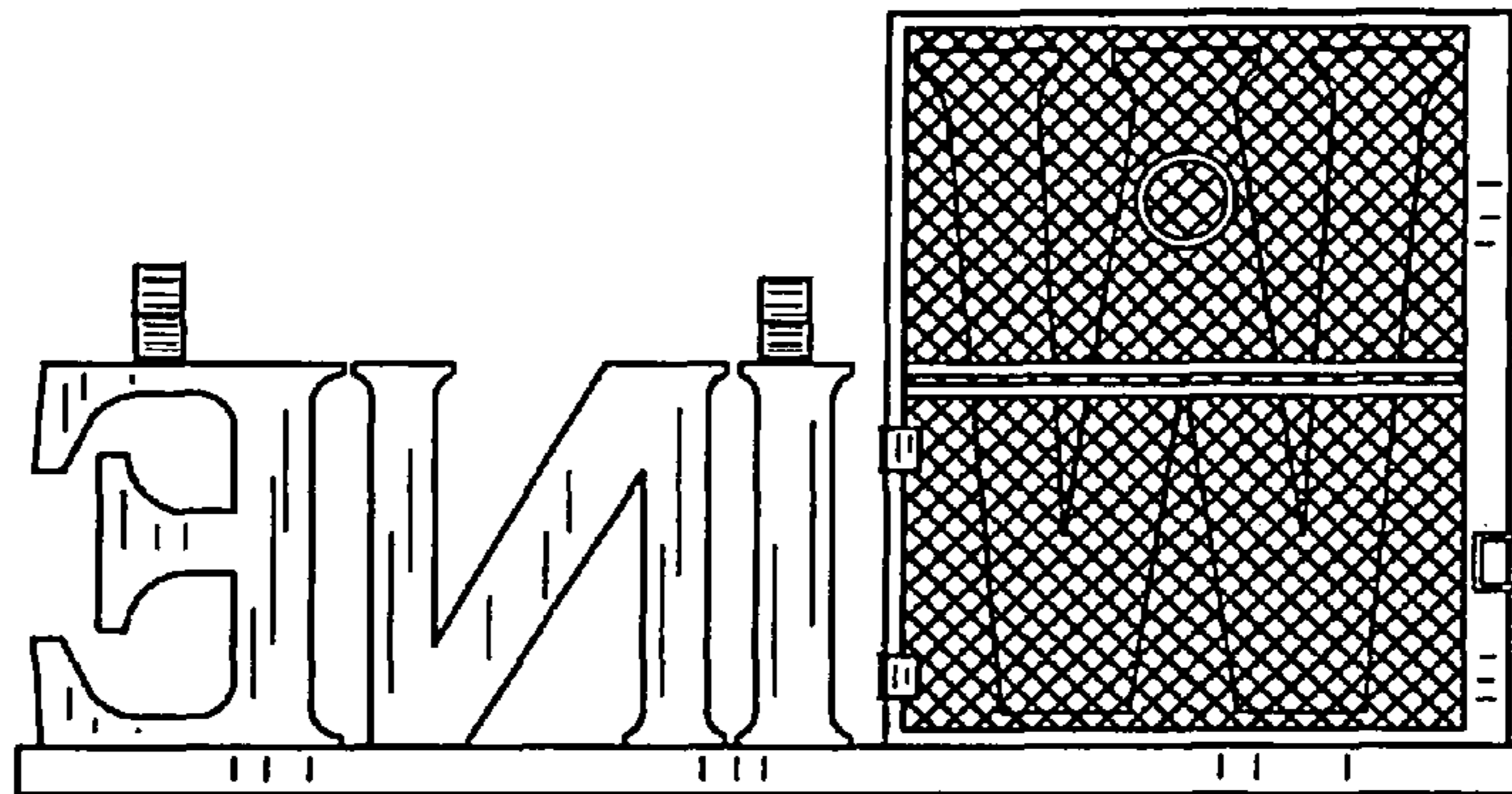


FIG. 3

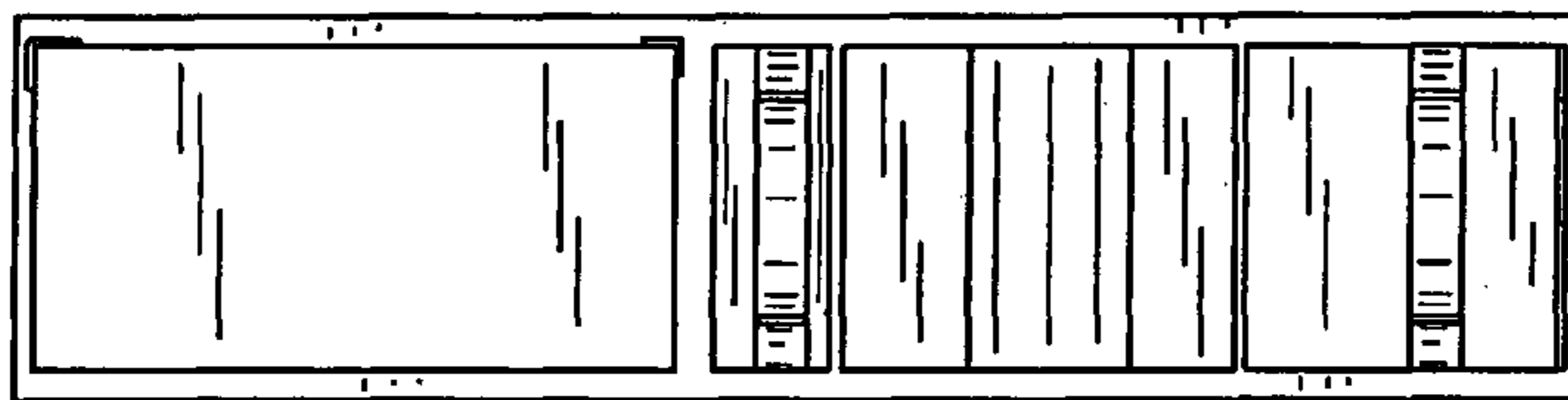


FIG. 4



FIG. 5

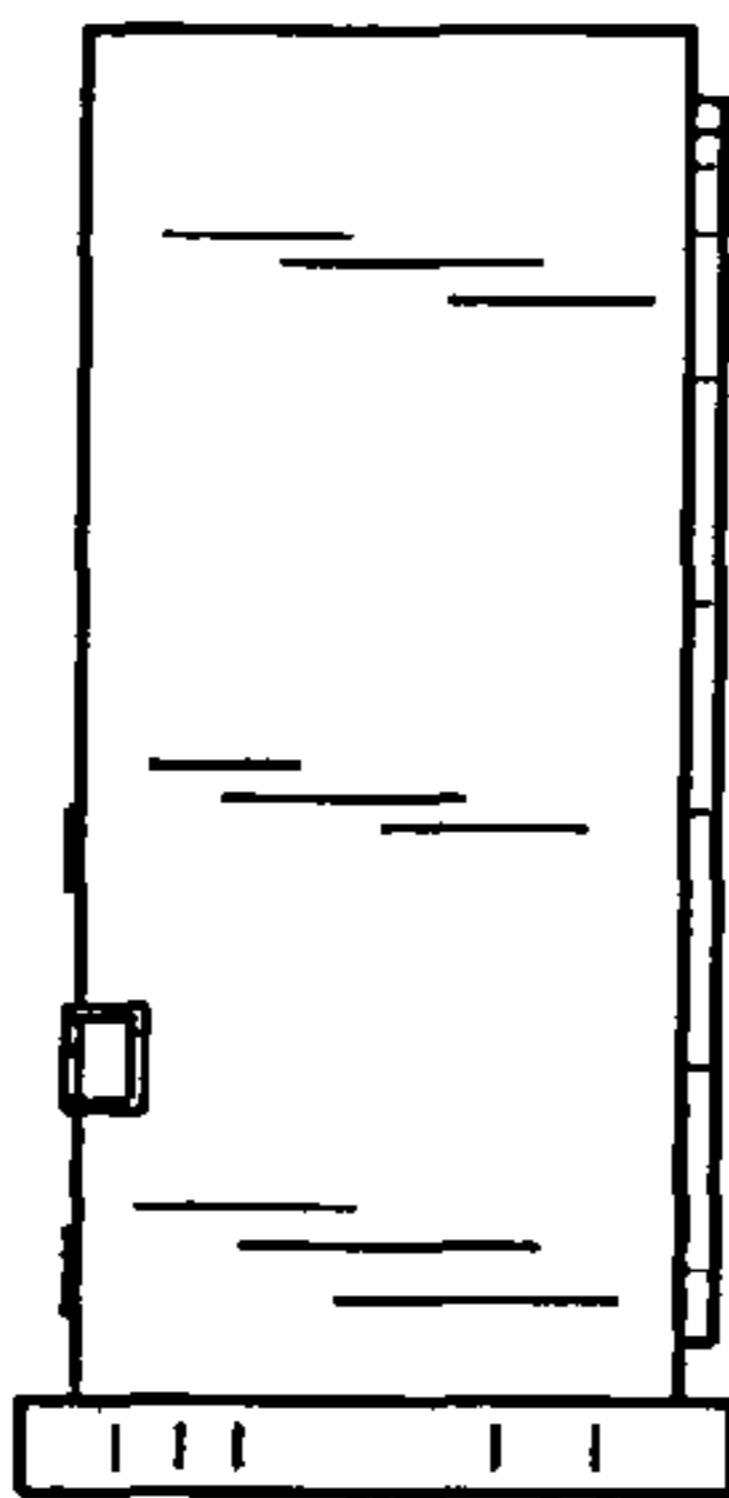


FIG. 6

FIG. 7

