



US00D746110S

(12) **United States Design Patent**  
**Randazzo**

(10) **Patent No.:** **US D746,110 S**

(45) **Date of Patent:** **\*\* Dec. 29, 2015**

(54) **HANDS FREE POPCORN BUCKET**

(71) Applicant: **Christopher W. Randazzo**, Fishers, IN  
(US)

(72) Inventor: **Christopher W. Randazzo**, Fishers, IN  
(US)

(\*\*) Term: **14 Years**

(21) Appl. No.: **29/509,811**

(22) Filed: **Nov. 21, 2014**

(51) **LOC (10) Cl.** ..... **07-01**

(52) **U.S. Cl.**  
USPC ..... **D7/584**

(58) **Field of Classification Search**  
USPC ..... D7/584, 500, 560, 554.3, 550.1, 538,  
D7/571, 587, 586, 551.2, 543, 545, 505,  
D7/566, 509, 555, 553.6; 220/574;  
D30/129; D3/304; D19/107, 135, 95;  
206/459.5  
CPC ..... A47G 19/02; A47G 19/06; A47G 23/06;  
A47G 19/12; A47G 19/00; B65D 1/34;  
A01K 5/0142; A01K 5/0114  
See application file for complete search history.

(56) **References Cited**

**U.S. PATENT DOCUMENTS**

D57,719	S *	4/1921	Pfeiffer, Sr.	.....	D7/584
5,082,140	A *	1/1992	Swenson	.....	A47G 19/02 220/574
D356,010	S *	3/1995	McEntee	.....	D30/130
D360,112	S *	7/1995	McEntee	.....	D7/545
D397,915	S *	9/1998	McNaughton	.....	D7/619.1
6,382,449	B1 *	5/2002	Kazmierski	.....	B65D 3/14 220/4.03
D488,741	S *	4/2004	Moya	.....	D11/143
D517,178	S *	3/2006	Bickford	.....	D23/293.1

D521,129	S *	5/2006	Bickford	.....	D23/293.1
D569,175	S *	5/2008	Mansfield	.....	D7/387
7,748,536	B2 *	7/2010	Cassese	.....	A47G 19/06 206/542
D631,699	S *	2/2011	Moreau	.....	D7/509
8,272,529	B2 *	9/2012	Mansfield	.....	A47G 19/2205 220/501
D737,098	S *	8/2015	Smith	.....	D7/501
D739,615	S *	9/2015	Robertson	.....	D30/129
2006/0021986	A1 *	2/2006	Mansfield	.....	A47G 19/2205 220/506

\* cited by examiner

*Primary Examiner* — Cynthia Underwood

(74) *Attorney, Agent, or Firm* — Woodard, Emhardt,  
Moriarty, McNett & Henry LLP

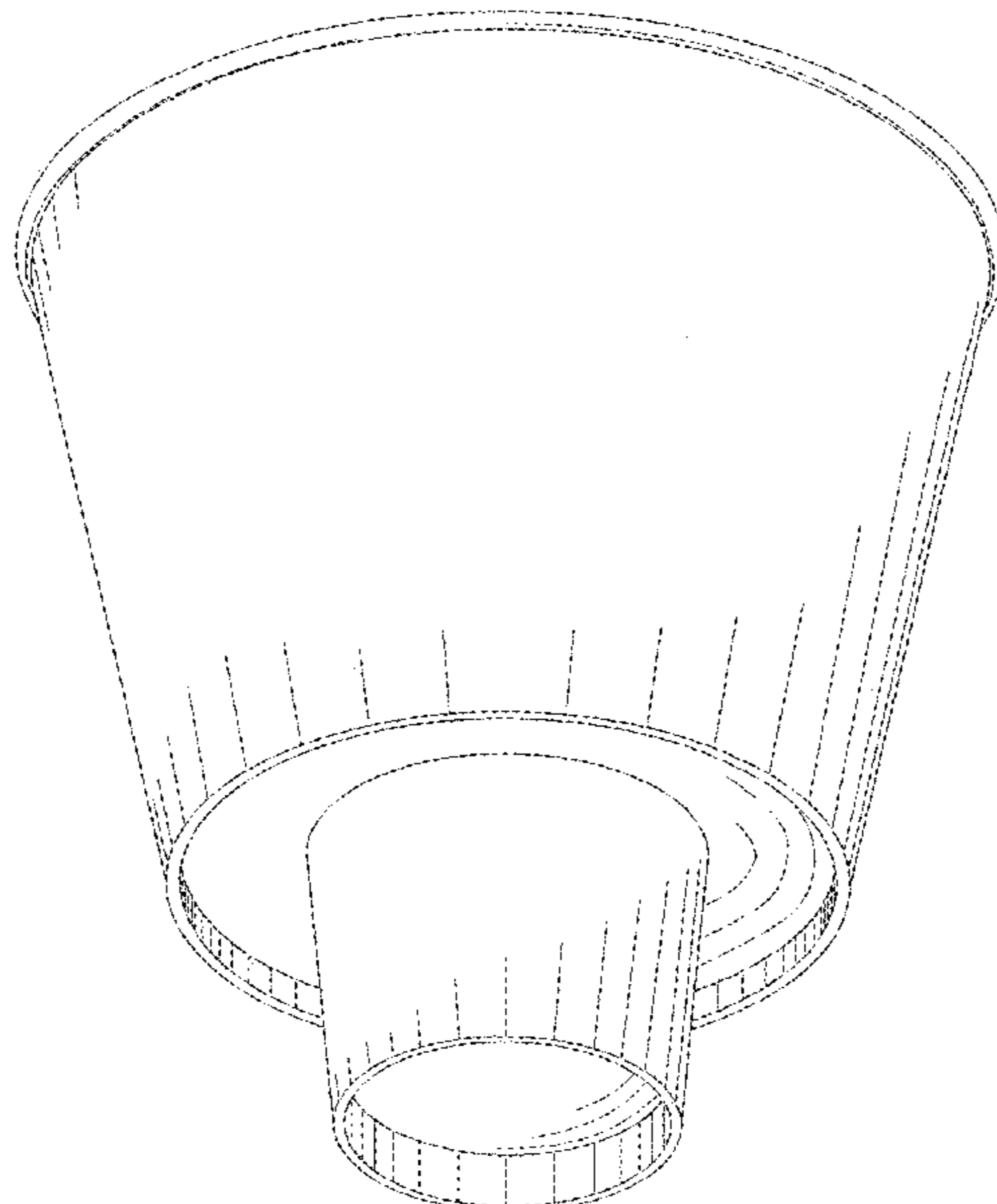
(57) **CLAIM**

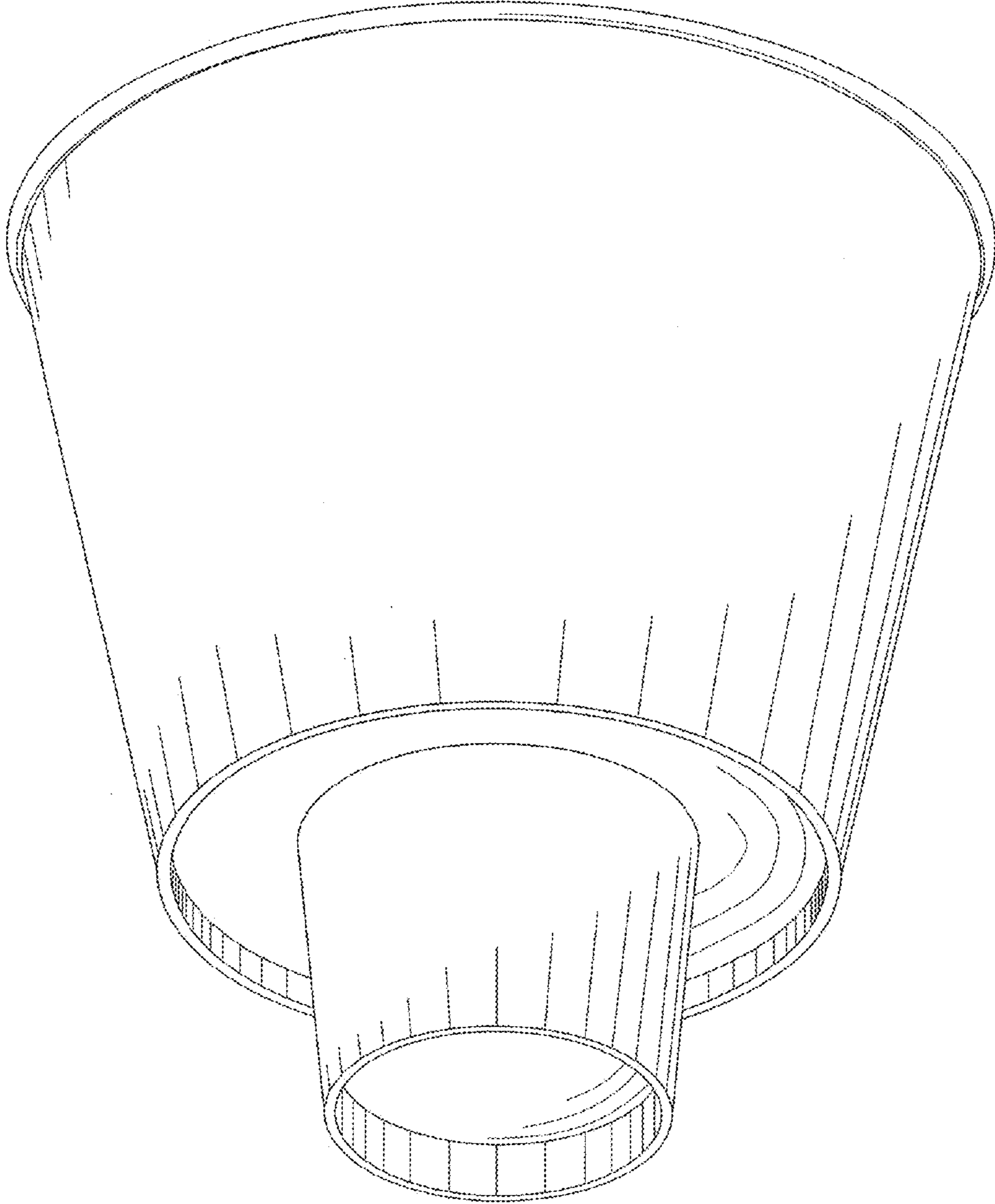
The ornamental design for a hands free popcorn bucket, as shown and described.

**DESCRIPTION**

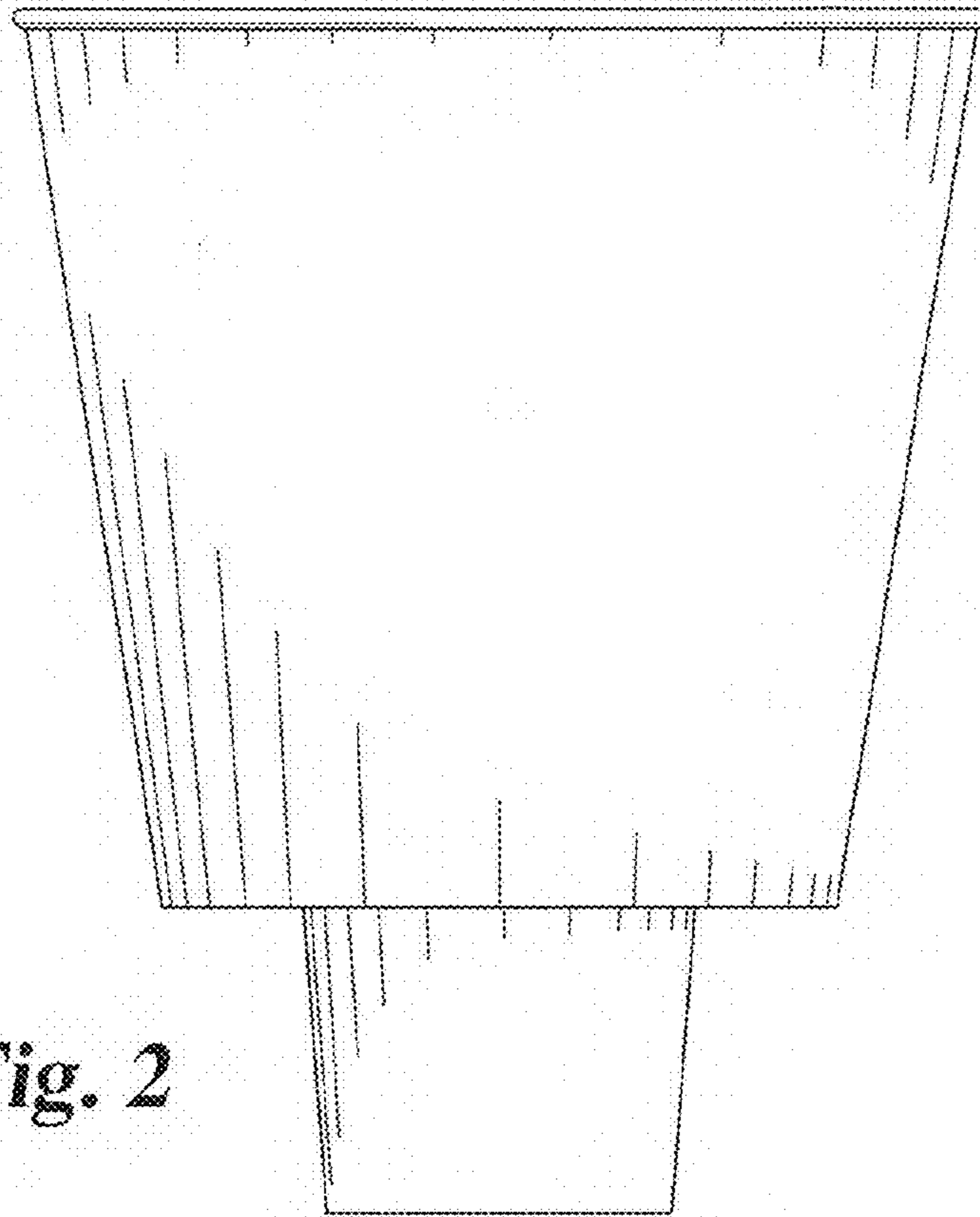
FIG. 1 is a bottom perspective view of the preferred embodiment of the bucket incorporating my new design;  
 FIG. 2 is a front view with the left side, right side, and rear side being identical thereto;  
 FIG. 3 is a top view thereof;  
 FIG. 4 is a bottom view thereof;  
 FIG. 5 is a cross sectional view thereof, taken from line 5-5 in FIG. 3;  
 FIG. 6 is a bottom perspective view of an alternate embodiment of the bucket;  
 FIG. 7 is a front view of the bucket of FIG. 6 with the left side, right side, and rear side being identical thereto;  
 FIG. 8 is a top view of the bucket of FIG. 6;  
 FIG. 9 is a bottom view of the bucket of FIG. 6; and,  
 FIG. 10 is a cross sectional view thereof, taken from line 10-10 in FIG. 8.

**1 Claim, 6 Drawing Sheets**

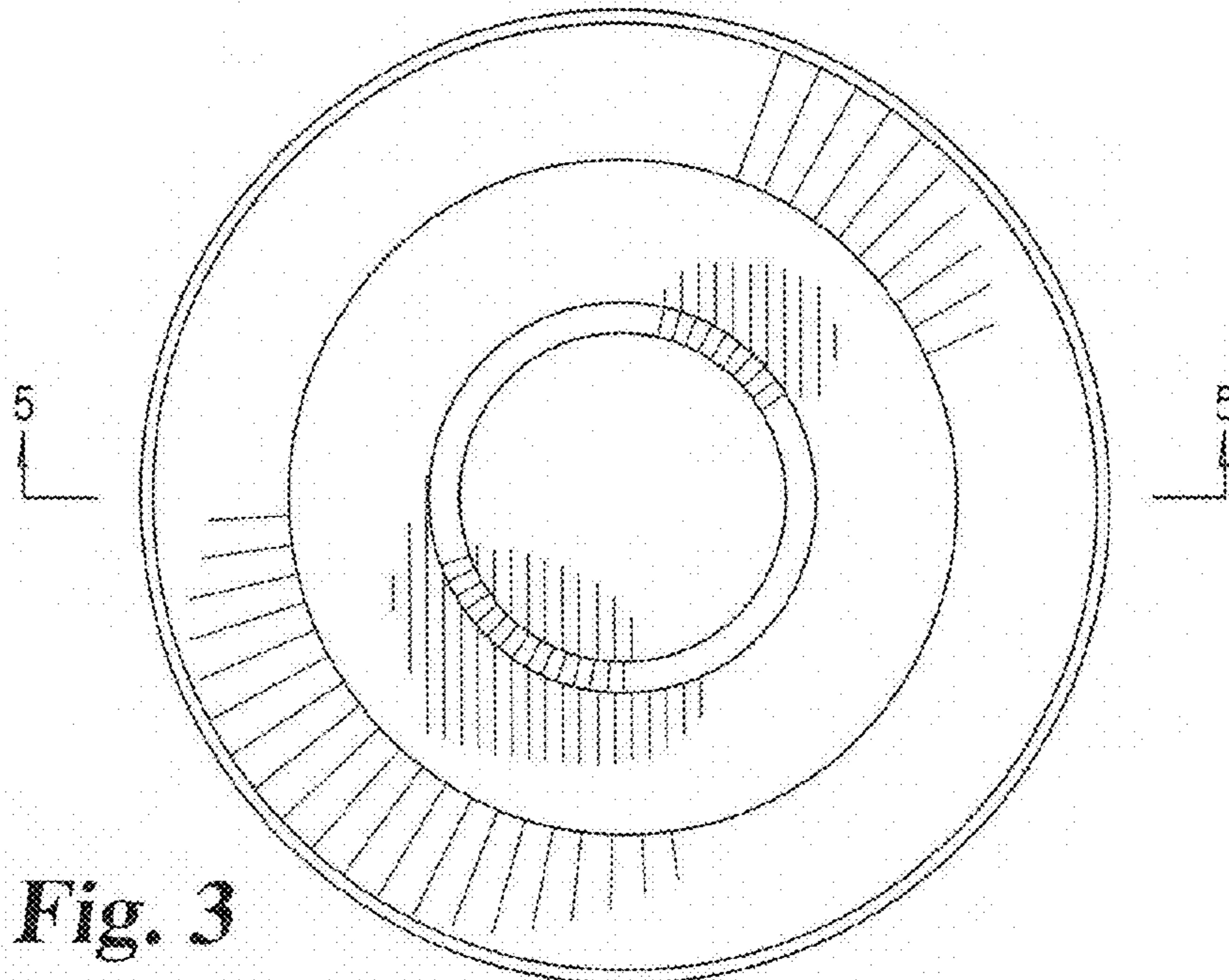




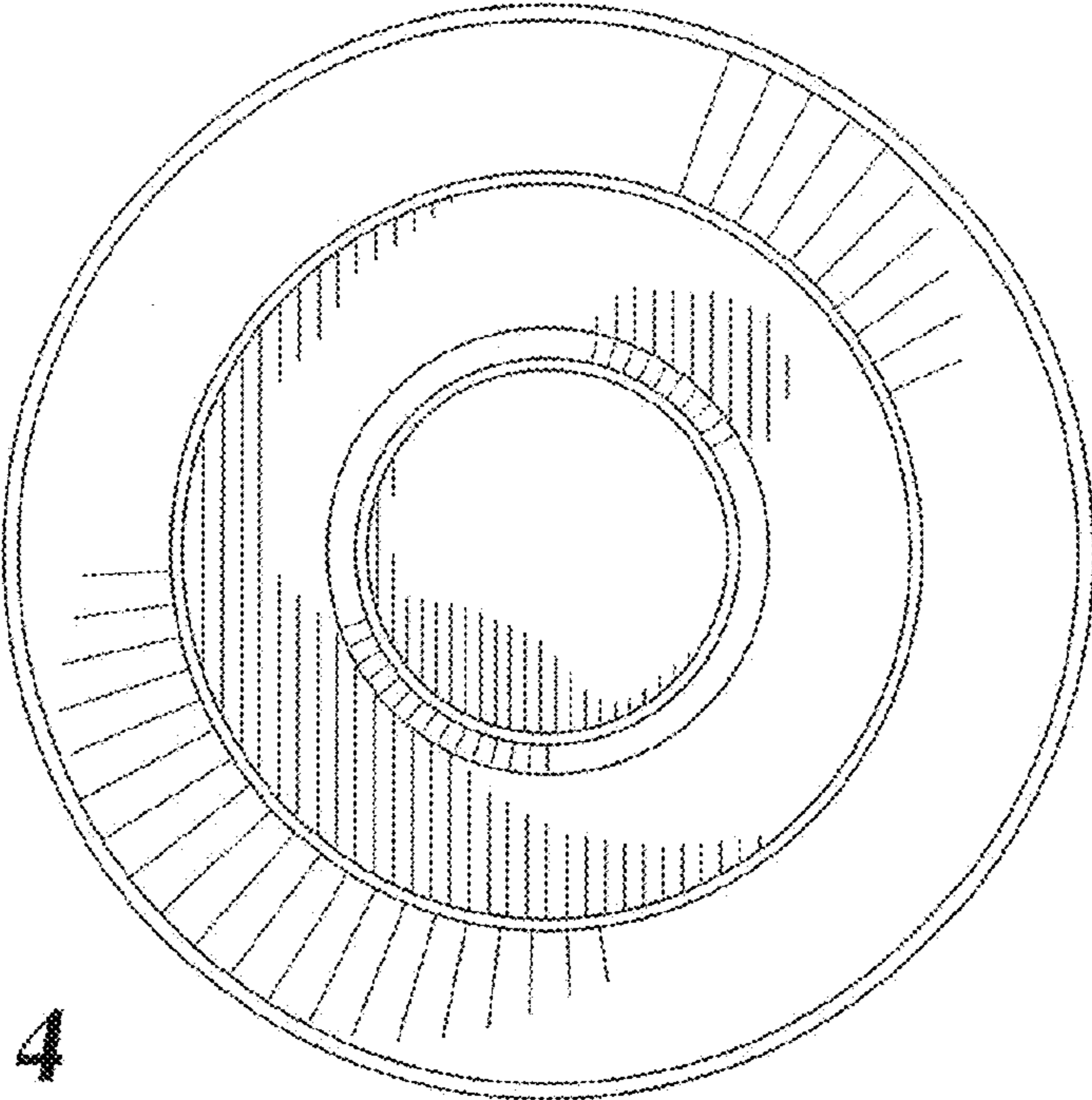
**Fig. 1**



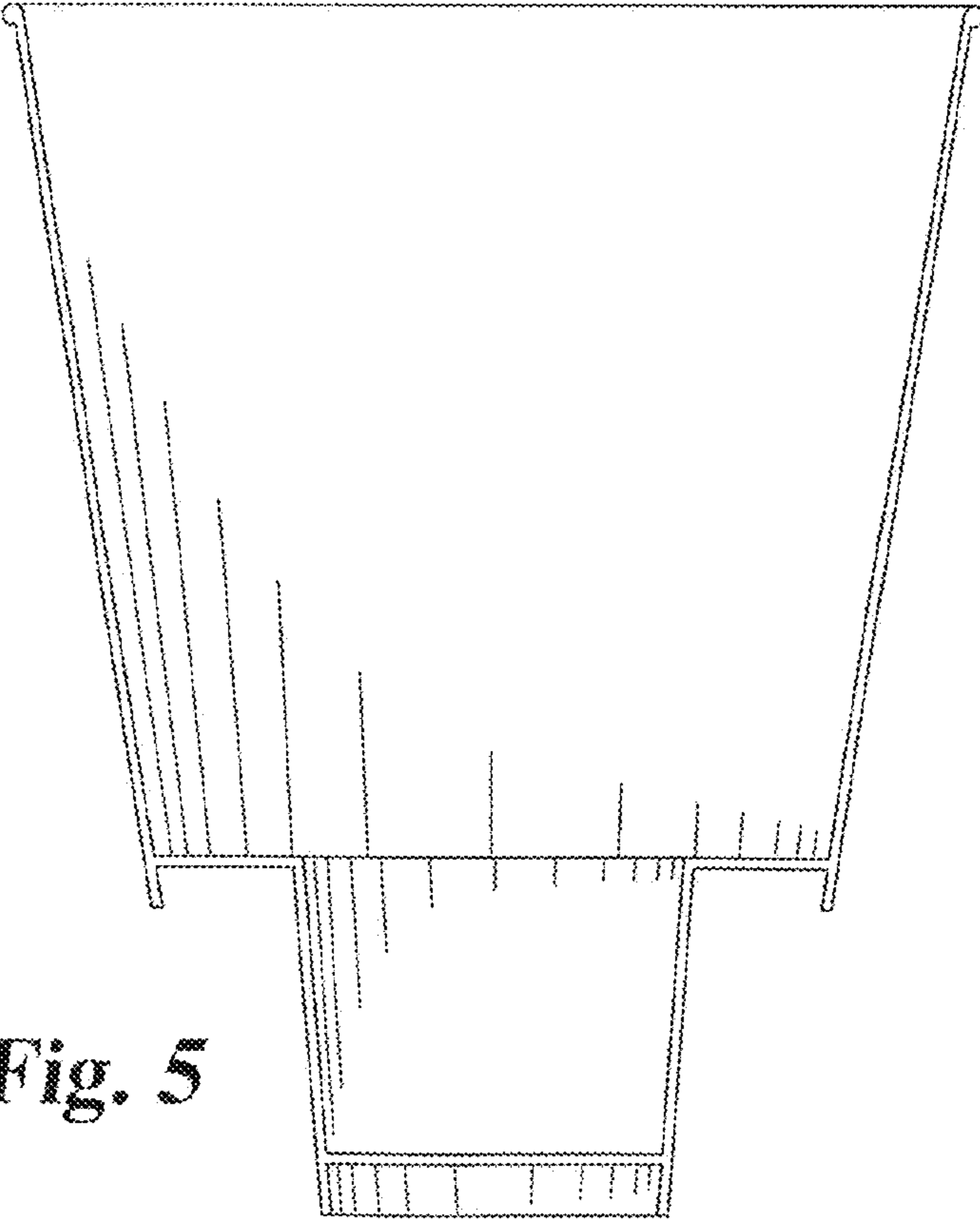
**Fig. 2**



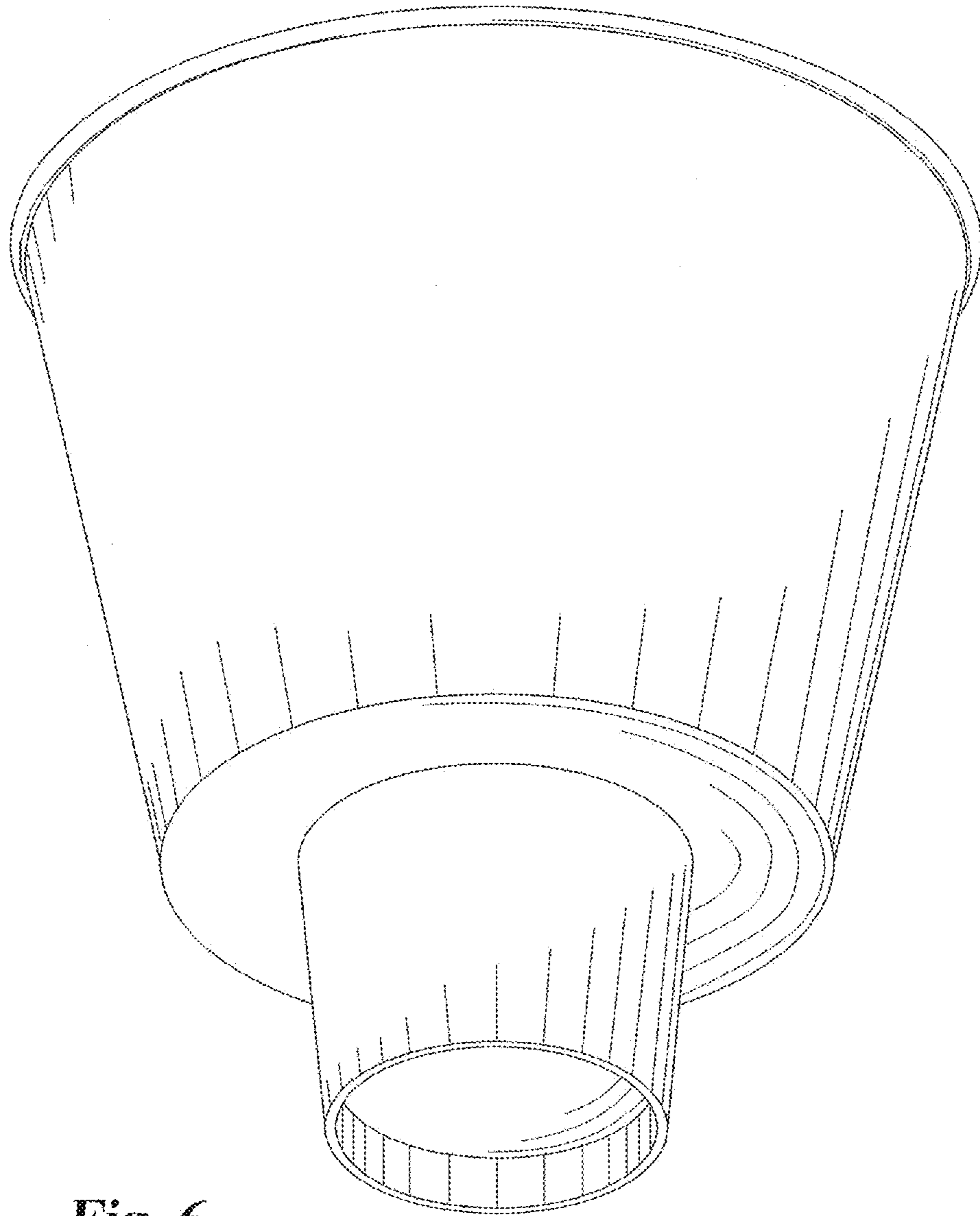
**Fig. 3**



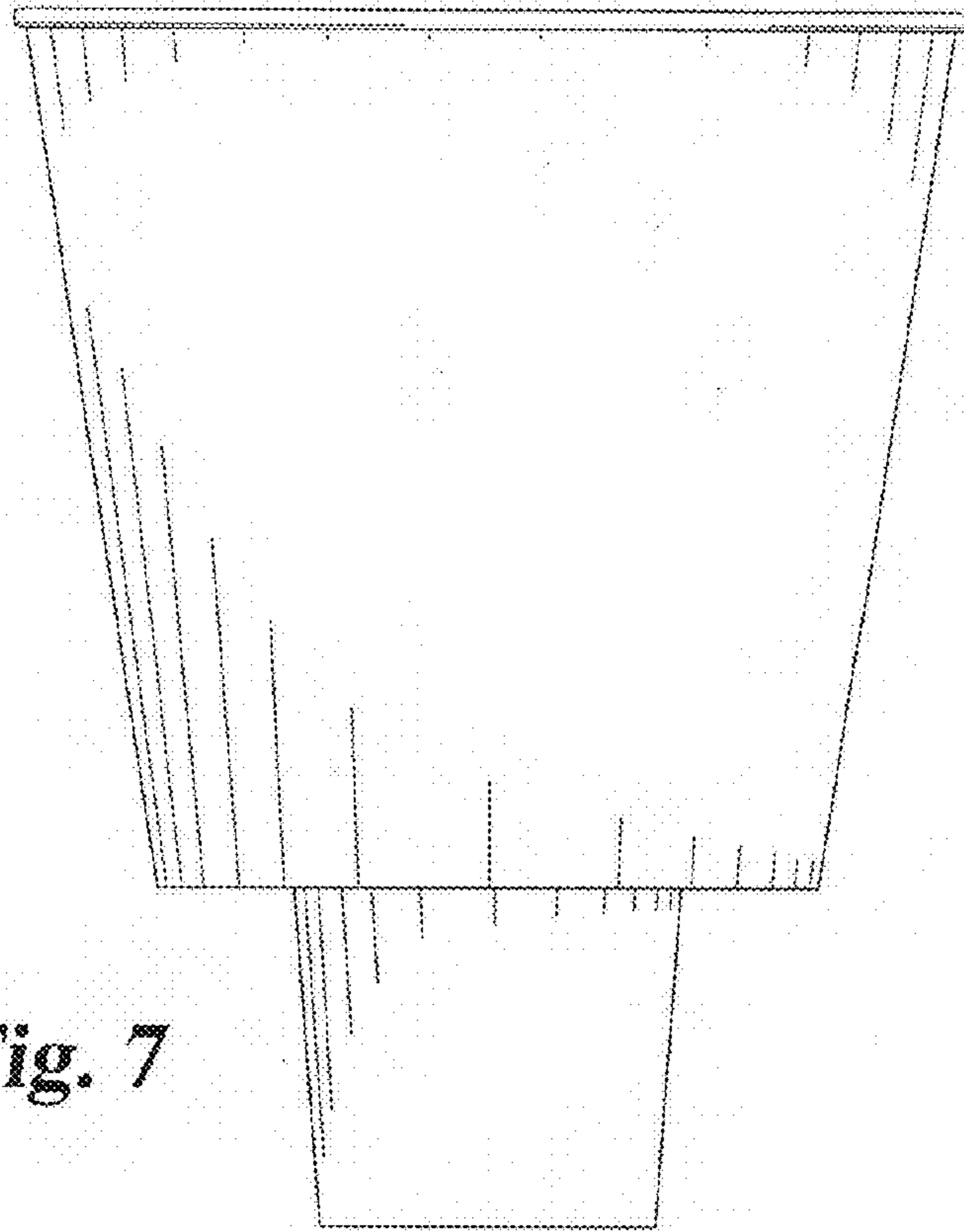
**Fig. 4**



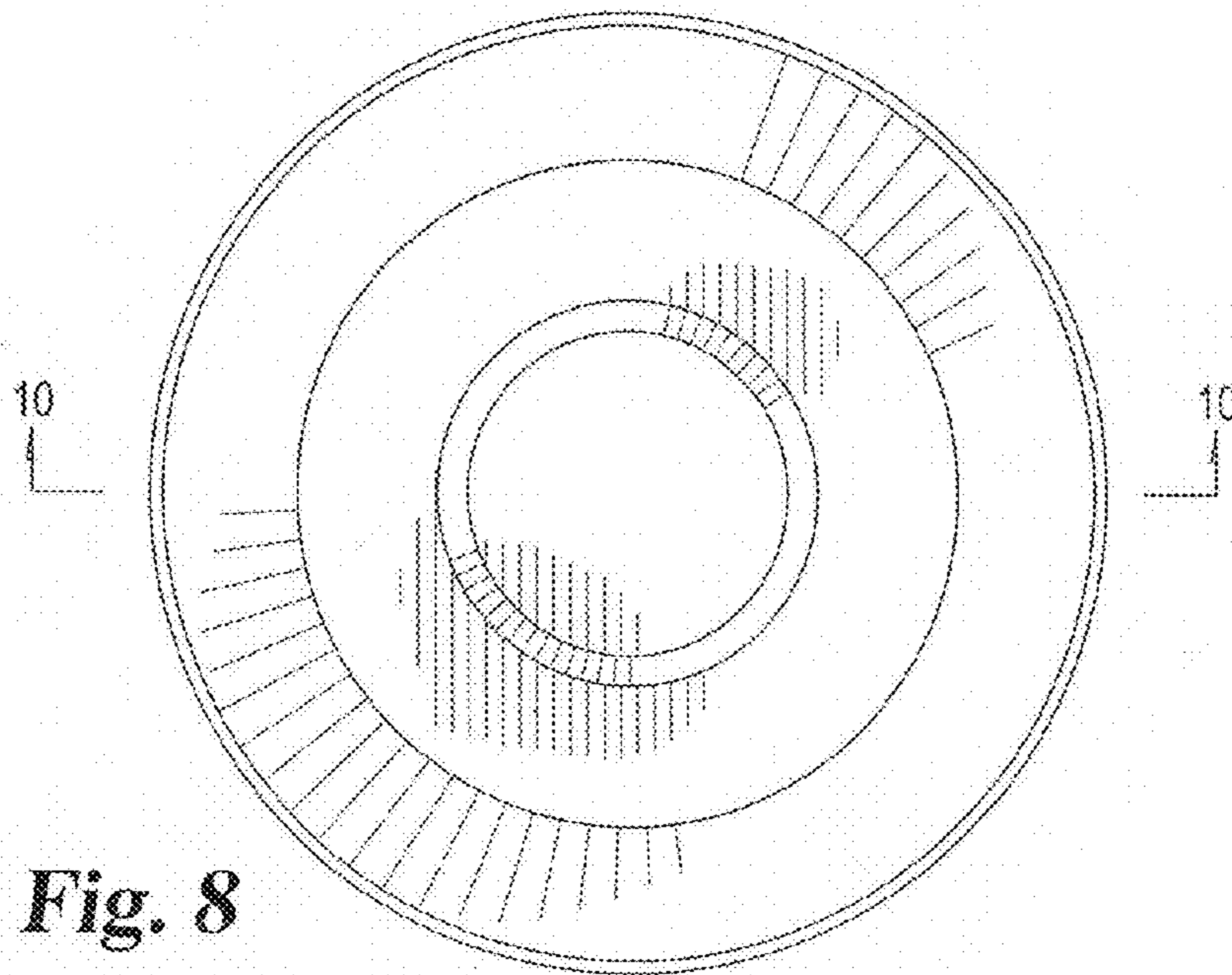
**Fig. 5**



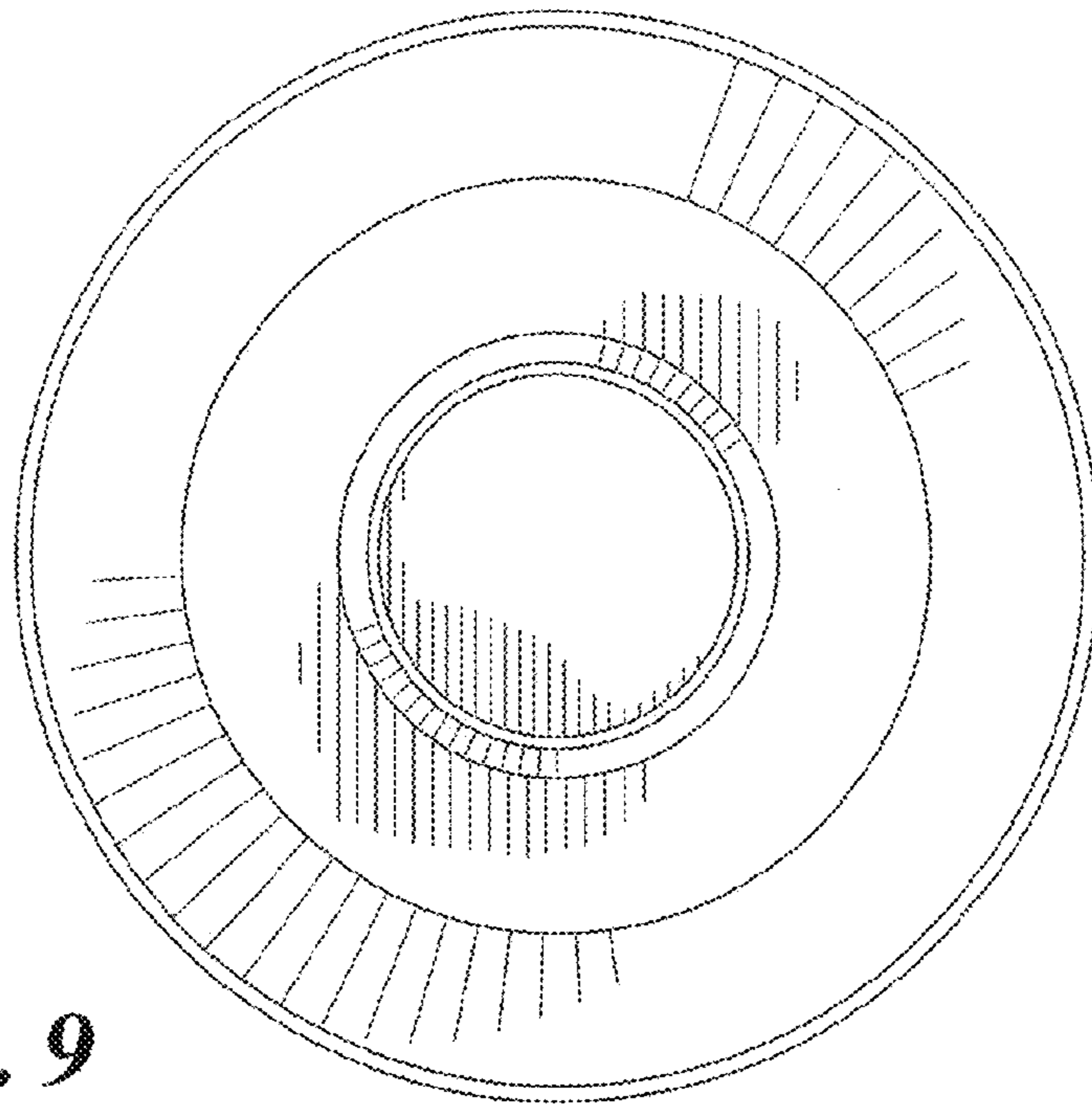
**Fig. 6**



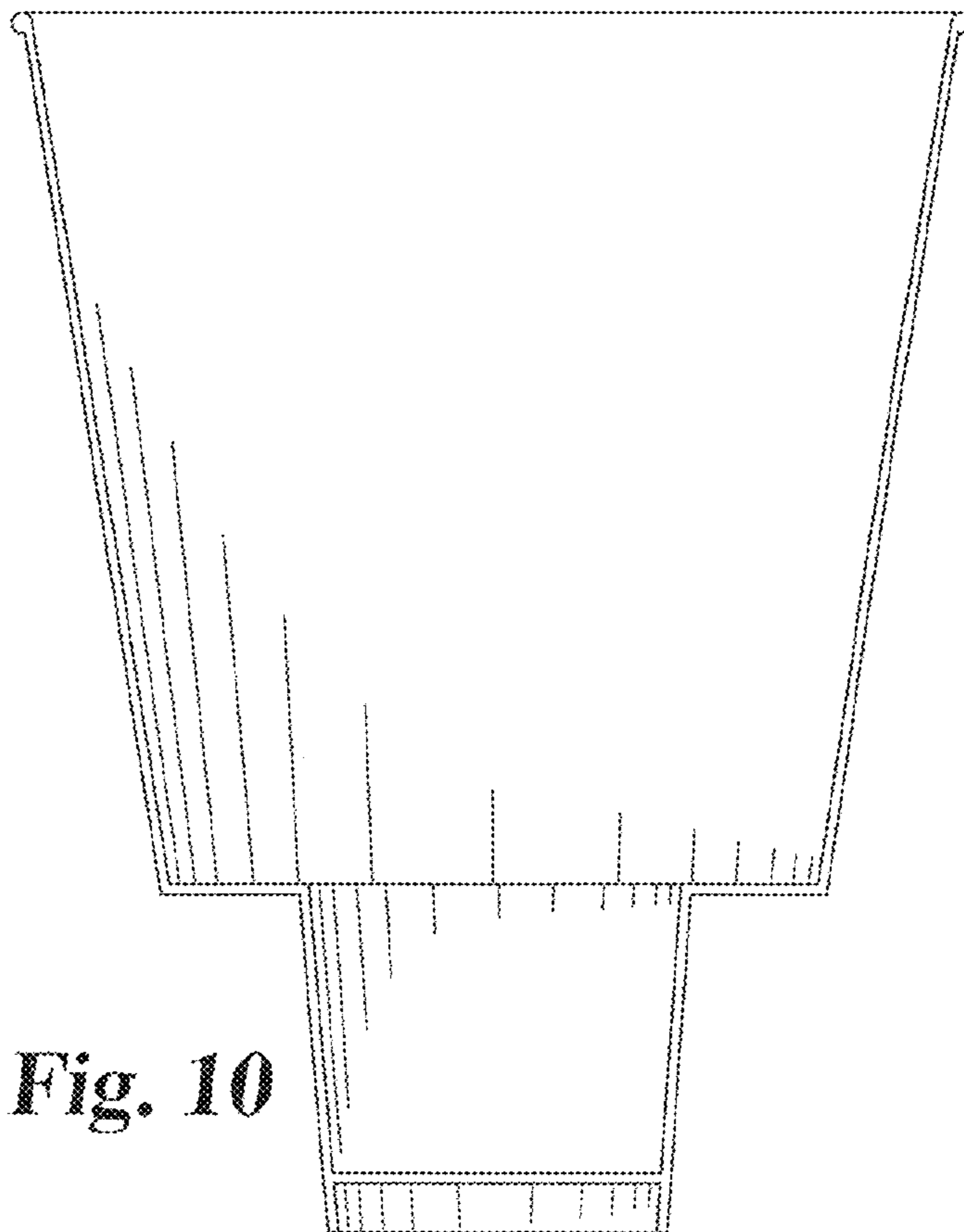
**Fig. 7**



**Fig. 8**



**Fig. 9**



**Fig. 10**