



US00D746109S

(12) **United States Design Patent**
Wilson et al.

(10) **Patent No.:** **US D746,109 S**
(45) **Date of Patent:** **** Dec. 29, 2015**

- (54) **CUP WITH HANDLES**
- (71) Applicant: **TARGET BRANDS, INC.**,
Minneapolis, MN (US)
- (72) Inventors: **Jessica Mary Wilson**, Minneapolis, MN
(US); **Monica R. Rush**, Minneapolis,
MN (US)
- (73) Assignee: **TARGET BRANDS, INC.**,
Minneapolis, MN (US)
- (**) Term: **14 Years**
- (21) Appl. No.: **29/501,871**
- (22) Filed: **Sep. 9, 2014**
- (51) **LOC (10) Cl.** **07-01**
- (52) **U.S. Cl.**
USPC **D7/534; D7/536**
- (58) **Field of Classification Search**
USPC D7/507, 509, 510, 513, 523, 532-537,
D7/524-528, 213, 396.4, 387, 389, 393,
D7/395, 668; D9/533, 740, 439, 741, 742,
D9/743, 747, 440, 436, 417; 220/592.16,
220/592.17, 592.2, 592.26, 592.27, 703,
220/4.26, 4.27; 215/387, 388, 400;
D24/196, 197
CPC A47G 19/22; A47G 19/2205; A47G
19/2266; A47G 19/2272; A47G 19/23;
A61J 7/0046; B29L 2031/7132; B65D 1/265
See application file for complete search history.

(56) **References Cited**

U.S. PATENT DOCUMENTS

- D19,162 S * 6/1889 King D7/523
- 604,514 A 5/1898 Belden
- D53,247 S 4/1919 Lewis
- D59,219 S 10/1921 Haviland
- D70,329 S 6/1926 Johnson
- D70,369 S 6/1926 Johnson
- D78,171 S * 4/1929 Stern D7/536
- D165,834 S 2/1952 Gardner

- 2,893,583 A * 7/1959 Achtziger A47G 19/23
215/10
- 3,101,857 A 8/1963 Freedman
- 3,128,029 A * 4/1964 Price B29C 67/221
220/DIG. 14
- D207,786 S * 5/1967 Benes D7/319
- D216,829 S * 3/1970 Colato D7/536
- D217,781 S 6/1970 Stone
- D224,797 S * 9/1972 Thrush D7/523
- D233,972 S * 12/1974 Juhlin 220/713
- D239,151 S 3/1976 Lundin

(Continued)

OTHER PUBLICATIONS

“Espresso Cup with Saucer,” www.crateandbarrel.com/kitchen-and-food/coffee-mugs-teacups/espresso-cup-with-saucer/s269983, available at least as early as Sep. 18, 2010 per www.internetarchive.org (2 pages).

(Continued)

Primary Examiner — Marianne Pandozzi

Assistant Examiner — Jae Liang

(74) *Attorney, Agent, or Firm* — Griffiths & Seaton PLLC;
JoAnn M. Seaton

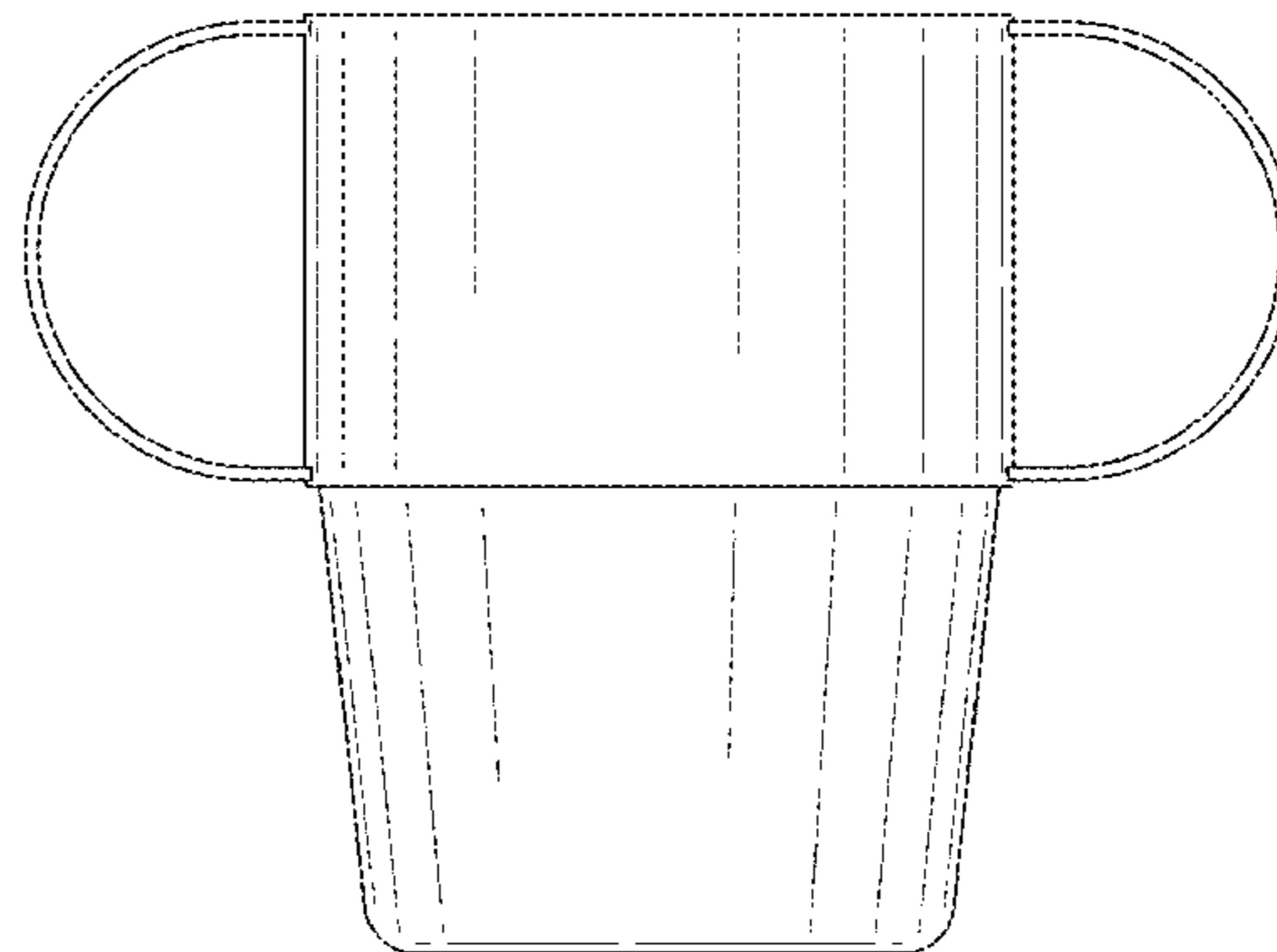
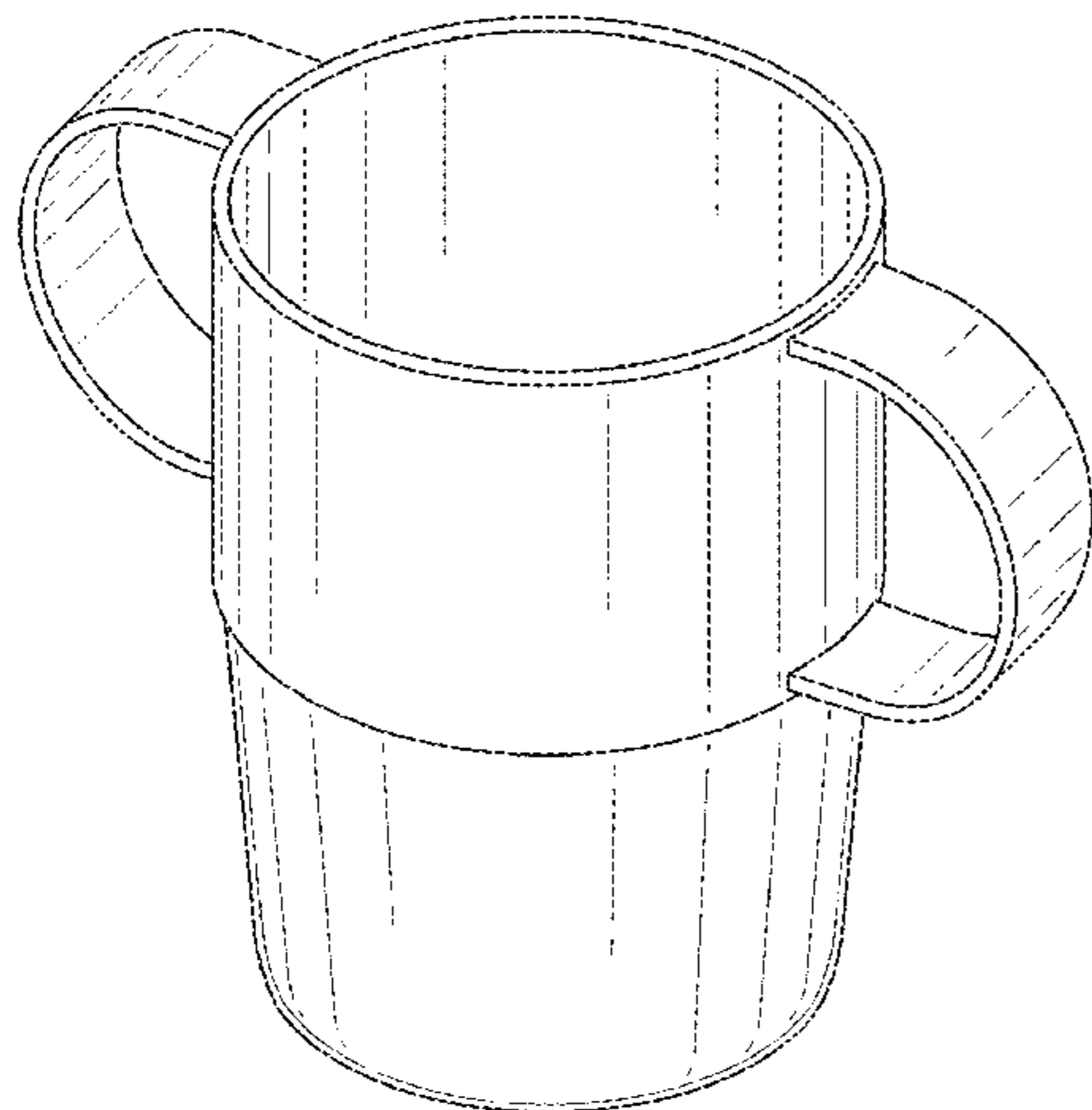
(57) **CLAIM**

The ornamental design for a cup with handles, as shown and described.

DESCRIPTION

FIG. 1 is a front perspective view of a cup with handle showing our new design;
FIG. 2 is a front view thereof, the rear view being a mirror image of the front view;
FIG. 3 is a right side view thereof, the left side view being a mirror image of the right side view;
FIG. 4 is a top view thereof; and,
FIG. 5 is a bottom view thereof.
The broken line shown in the figure drawings are included for the purpose of illustration and form no part of the claimed design.

1 Claim, 4 Drawing Sheets



(56)

References Cited

U.S. PATENT DOCUMENTS

D239,358 S 3/1976 Kjellqvist
 D240,284 S 6/1976 Sarpaneva
 4,027,779 A * 6/1977 De Long A47G 19/22
 206/501
 4,039,435 A 8/1977 Narva
 4,061,782 A 12/1977 Baxter
 4,074,849 A * 2/1978 Davidsson B65D 3/06
 229/117.13
 D255,531 S * 6/1980 Daenen D10/46.2
 D256,077 S * 7/1980 Brockman D24/136
 4,210,141 A * 7/1980 Brockman A61J 7/0046
 220/703
 D256,645 S * 9/1980 Keough D7/523
 D258,796 S 4/1981 Paulides
 D287,086 S 12/1986 Meier et al.
 D290,324 S * 6/1987 Ritman D7/536
 D293,293 S 12/1987 Isles
 D312,745 S * 12/1990 Daenen D7/317
 D322,196 S * 12/1991 Ohnuki D7/510
 D327,818 S * 7/1992 Haralson D24/197
 D328,006 S * 7/1992 Unger D7/533
 D343,546 S * 1/1994 Zimmerman D7/316
 D343,763 S 2/1994 Zimmerman
 D354,416 S * 1/1995 Cautereels D7/507
 D363,415 S 10/1995 Carlson
 D364,319 S 11/1995 Schaeppi
 D366,988 S * 2/1996 Nowak D7/534
 D379,740 S * 6/1997 Miller D7/312
 D383,038 S 9/1997 Willbrandt
 D421,878 S * 3/2000 Roehrig D7/510
 D433,866 S * 11/2000 Cautereels D7/316
 D454,755 S * 3/2002 Jørgensen D7/510
 D460,322 S * 7/2002 Orr D7/510
 D464,234 S * 10/2002 Miller D7/533
 D479,096 S 9/2003 Webb
 D479,692 S * 9/2003 Nilsson D10/46.2
 D482,572 S * 11/2003 Mountain D7/536
 6,640,992 B1 * 11/2003 Berger A47G 19/2261
 220/603

D484,361 S 12/2003 Jeung
 D530,852 S * 10/2006 Zheng D27/148
 D552,932 S * 10/2007 Carlson D7/509
 D581,738 S * 12/2008 Bodum D7/509
 D595,541 S * 7/2009 Haas D7/509
 D616,706 S * 6/2010 Bofinger D24/197
 D647,199 S * 10/2011 Kroiss D24/123
 D658,922 S 5/2012 Fallon et al.
 D668,914 S * 10/2012 Riedel D7/510
 D675,877 S * 2/2013 Thomas D7/510
 D676,709 S * 2/2013 Thomas D7/510
 D688,098 S 8/2013 Miller et al.
 D730,695 S * 6/2015 Lin D7/516
 D736,035 S * 8/2015 Wang D7/510
 2011/0084084 A1 * 4/2011 Berg A47G 19/2272
 220/703
 2013/0233870 A1 * 9/2013 Miller A47G 19/22
 220/719

OTHER PUBLICATIONS

“Heller Dinnerware Set,” first publicly offered for sale 1964 (1 page).
 “Honey Brown Floral Mugs Japan Set of Two 1970s Retro Stacking
 Coffee Cups Vintage Kitchen Ware,” printed from www.flickr.com/photos/herroyalmajesty/5726651165/, on Jan. 24, 2012 (2 pages).
 “Safe Kids Walk This Way Stackable Mug Set,” printed from www.cafepress.com/safekidsusa.509962097, on Jan. 24, 2012 (2 pages).
 “Stackable Ceramic Mug for Christmas Gift Mug,” printed from www.alibaba.com/product-gs/455375884/Stackable_Ceramic_Mug_for_Christmas_Gift.html, on Jan. 24, 2012 (4 pages).
 Photograph of Tupperware Mugs; (1 page).
 “Independence Cups and Mugs”, printed from www.caregiverproducts.com/independence-cups-mugs.html, publicly available at least as early as Dec. 5, 2012 (3 pages).
 “10 oz Mug, Double Handle, BPA Free, Ivory”, printed from www.katom.com/284-SN1031V.html, publicly available at least as early as Jun. 23, 2014 (2 pages).
 Office Action from Canadian Patent Application No. 159,581, mailed Mar. 20, 2015 (2 pages).

* cited by examiner

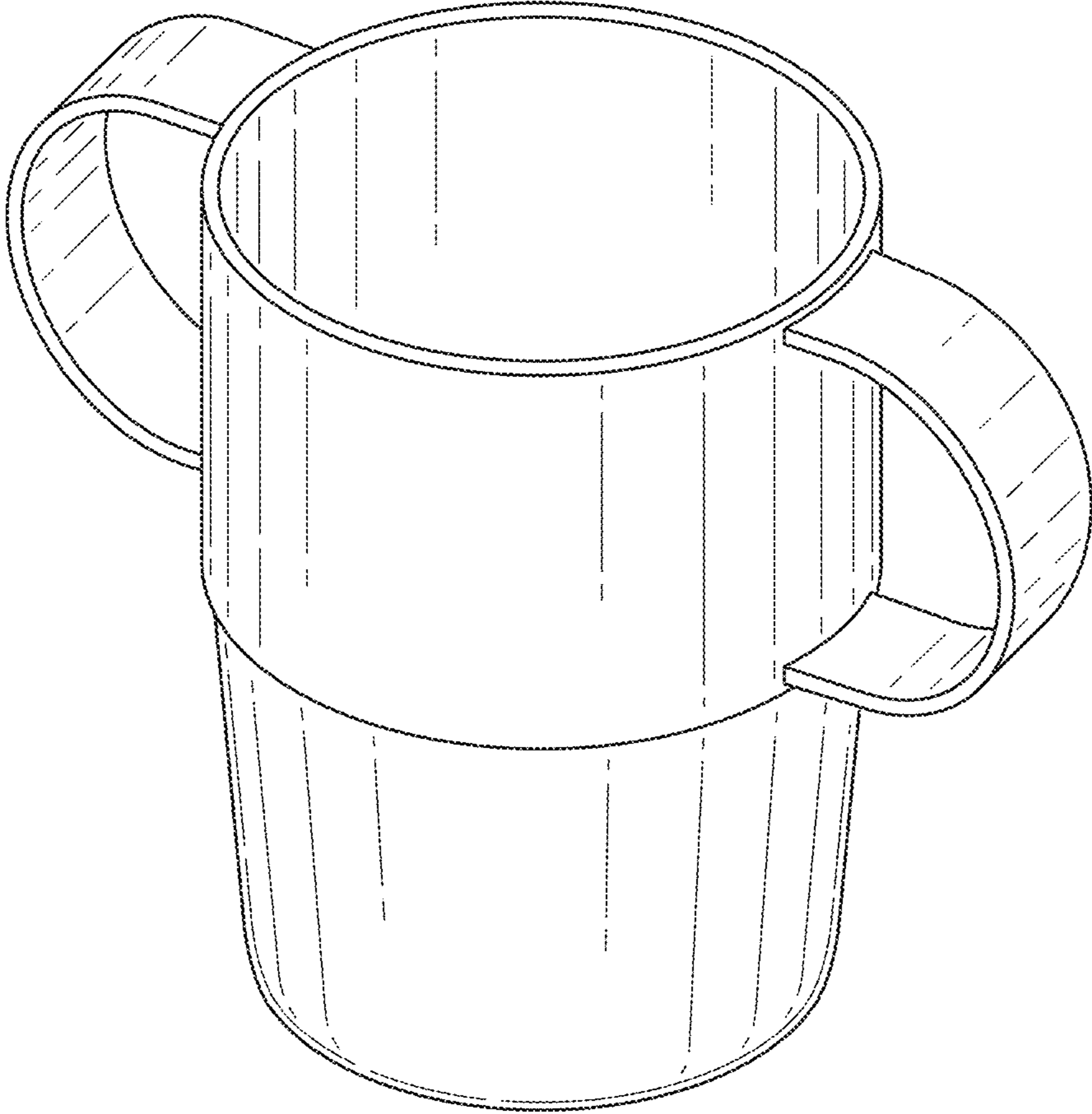


FIG. 1

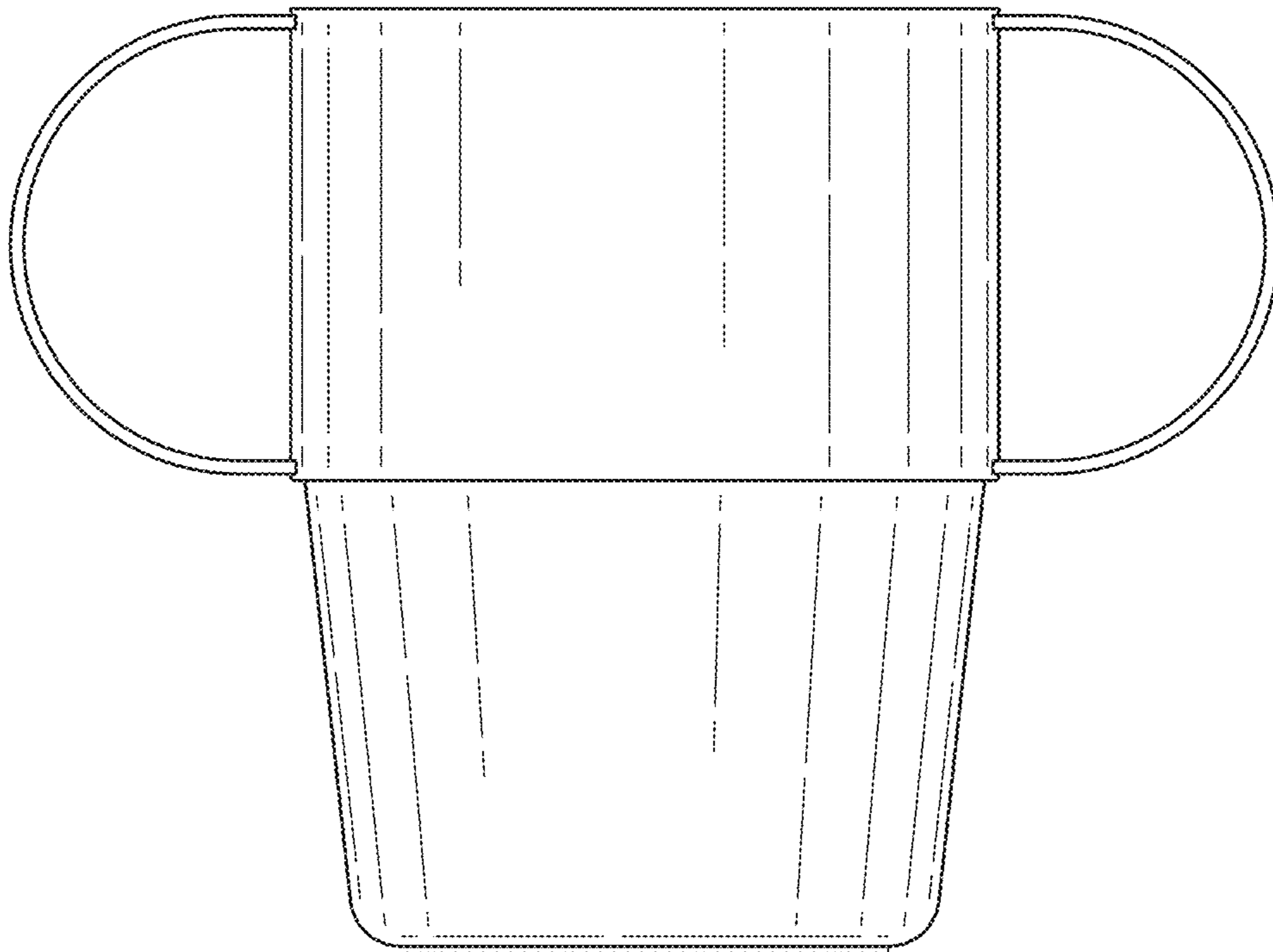


FIG. 2

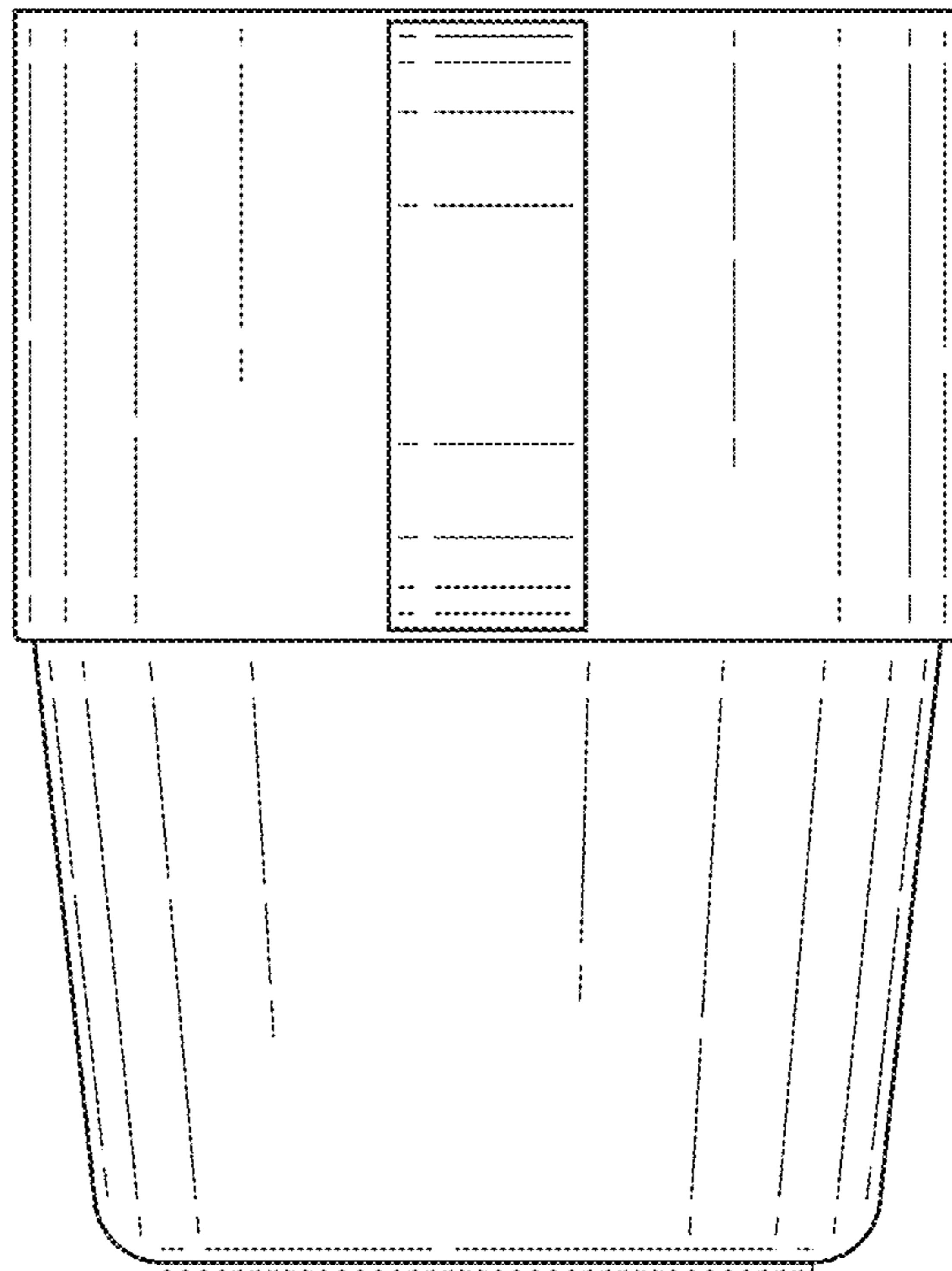


FIG. 3

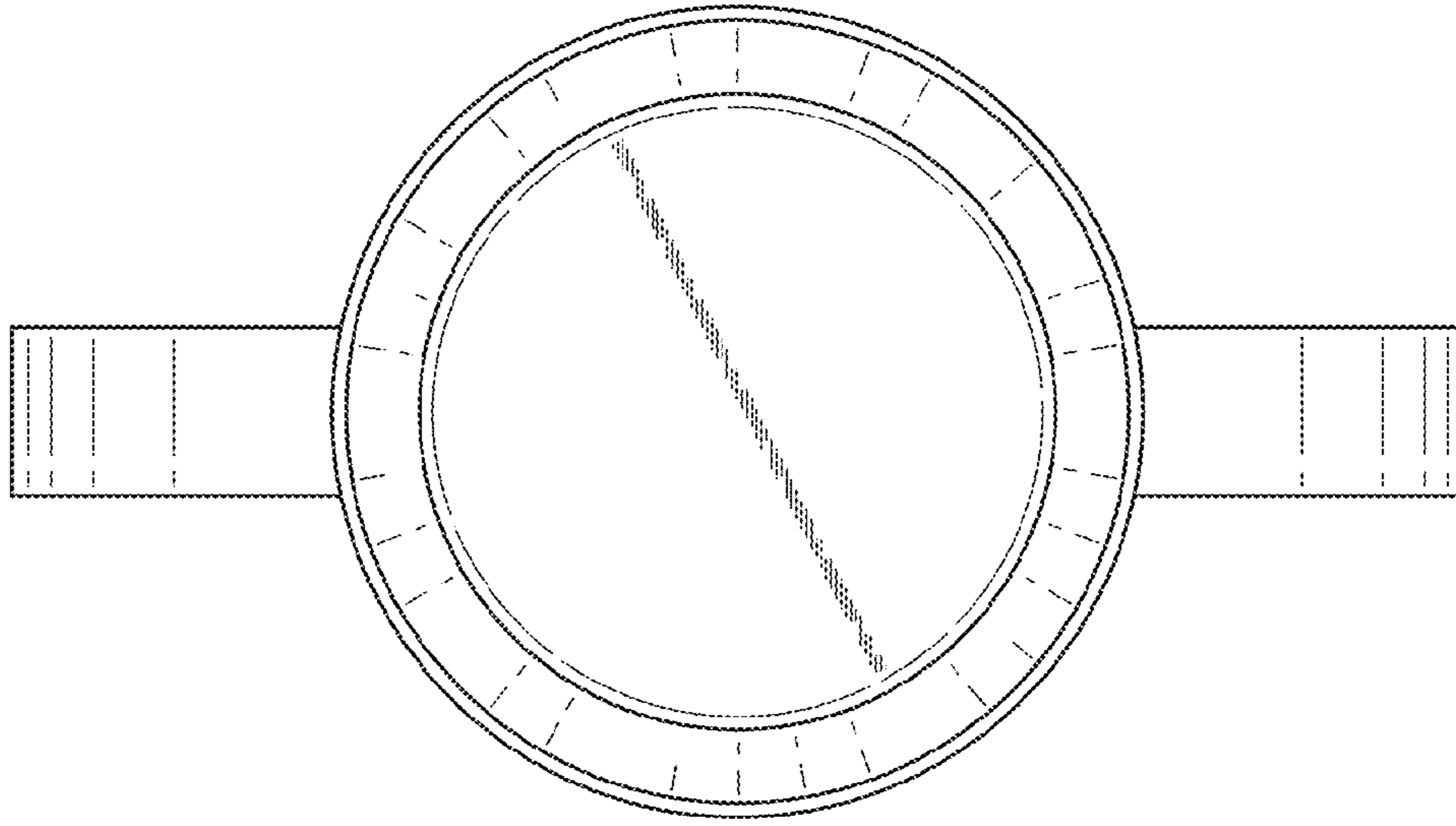


FIG. 4

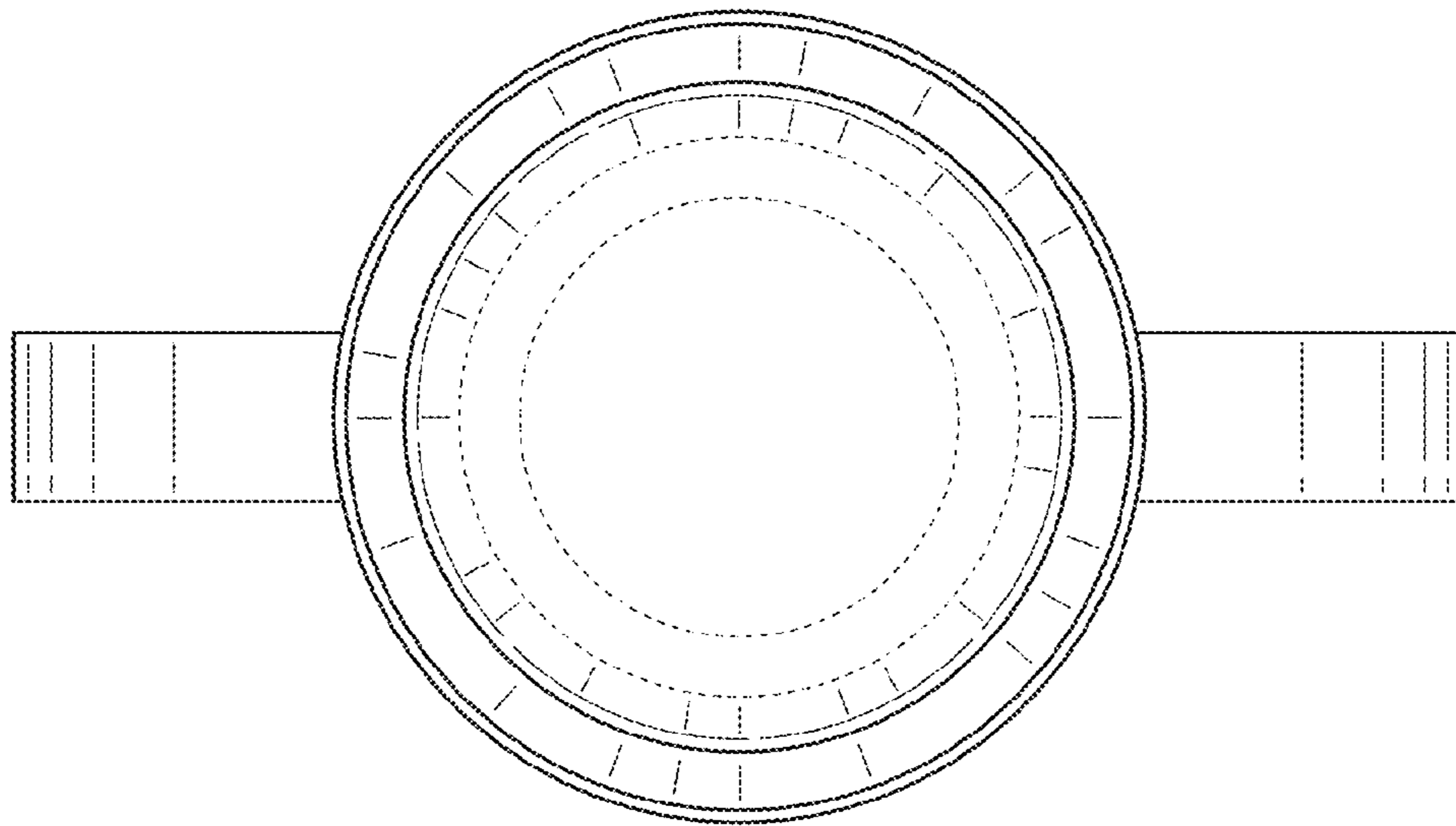


FIG. 5