



US00D746106S

(12) **United States Design Patent**
Chan

(10) **Patent No.:** **US D746,106 S**
(45) **Date of Patent:** **** Dec. 29, 2015**

- (54) **LEAF SHAPED TEA INFUSER**
- (71) Applicant: **Kikkerland Design, Inc.**, New York, NY (US)
- (72) Inventor: **Jang Him Chan**, Iksan (KR)
- (73) Assignee: **Kikkerland Design, Inc.**, New York, NY (US)
- (**) Term: **14 Years**
- (21) Appl. No.: **29/507,404**
- (22) Filed: **Oct. 27, 2014**
- (51) **LOC (10) Cl.** **07-99**
- (52) **U.S. Cl.**
USPC **D7/400; D7/399; D7/667; D7/647**
- (58) **Field of Classification Search**
USPC **D7/400, 399, 667, 647, 300.2, 401, 213, D7/700; 99/323; D23/209**
CPC **A47J 31/00; A47G 19/14; B65D 85/808**
See application file for complete search history.

- 4,314,724 A * 2/1982 Barna A47G 19/16 294/99.2
- D264,171 S * 5/1982 Velasco D7/647
- 6,168,816 B1 * 1/2001 Hammond A23F 3/18 426/433
- D439,799 S * 4/2001 Kwok D7/400
- 6,595,110 B1 * 7/2003 Huang A47G 19/16 206/216
- D482,597 S * 11/2003 Brass D8/354
- D506,633 S * 6/2005 Dick-Read D7/300.2
- D511,933 S * 11/2005 Abrams D7/400
- 7,779,751 B2 * 8/2010 Gilbert A47J 31/20 99/284
- D683,195 S * 5/2013 Walker D7/667
- 8,701,550 B2 * 4/2014 Teng A47G 19/16 99/323
- D730,688 S * 6/2015 Teng D7/399

* cited by examiner

Primary Examiner — Marianne Pandozzi
(74) *Attorney, Agent, or Firm* — Cascio & Zervas

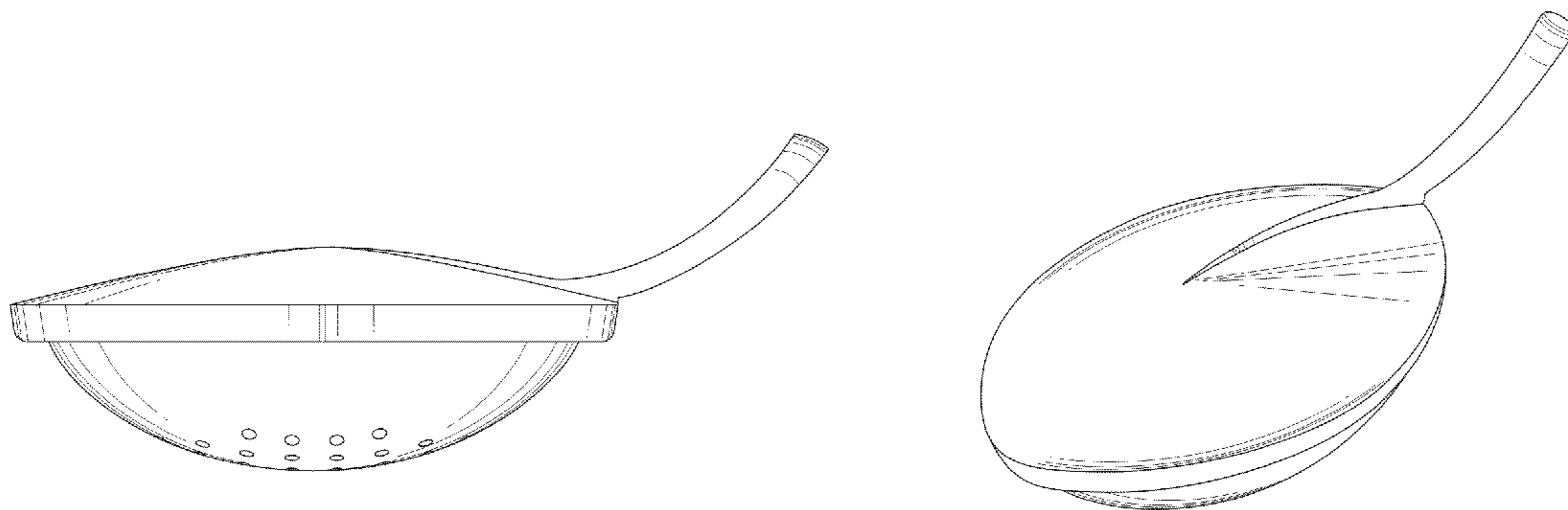
(57) **CLAIM**
The ornamental design for a leaf shaped tea infuser, as shown and described.

DESCRIPTION

FIG. 1 is a right side elevational view of a leaf shaped tea infuser showing my new design;
FIG. 2 is a left side elevational view thereof;
FIG. 3 is a front elevational view thereof;
FIG. 4 is a rear elevational view thereof;
FIG. 5 is a top plan view thereof;
FIG. 6 is a bottom plan view thereof;
FIG. 7 is a front perspective view thereof; and,
FIG. 8 is an exploded front perspective view thereof.

1 Claim, 2 Drawing Sheets

- (56) **References Cited**
U.S. PATENT DOCUMENTS
- 915,055 A * 3/1909 Hunt A47J 43/25 210/470
- 1,247,906 A * 11/1917 Tully B65D 85/808 426/84
- 1,648,906 A * 11/1927 Lubrano A47G 19/16 294/26.5
- 3,354,812 A * 11/1967 Gorton, Jr. A47G 19/16 99/323
- 3,755,895 A * 9/1973 Claasen A47G 19/16 30/326



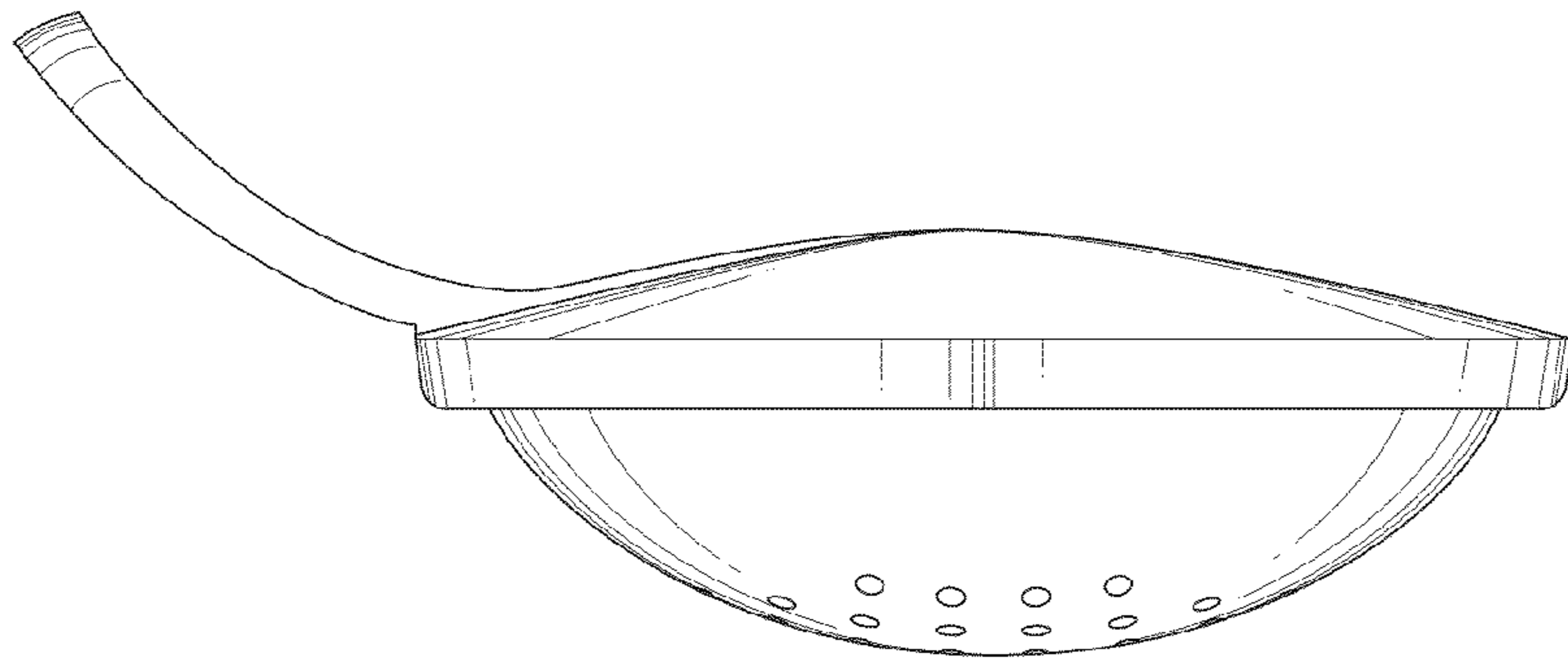


FIG. 1

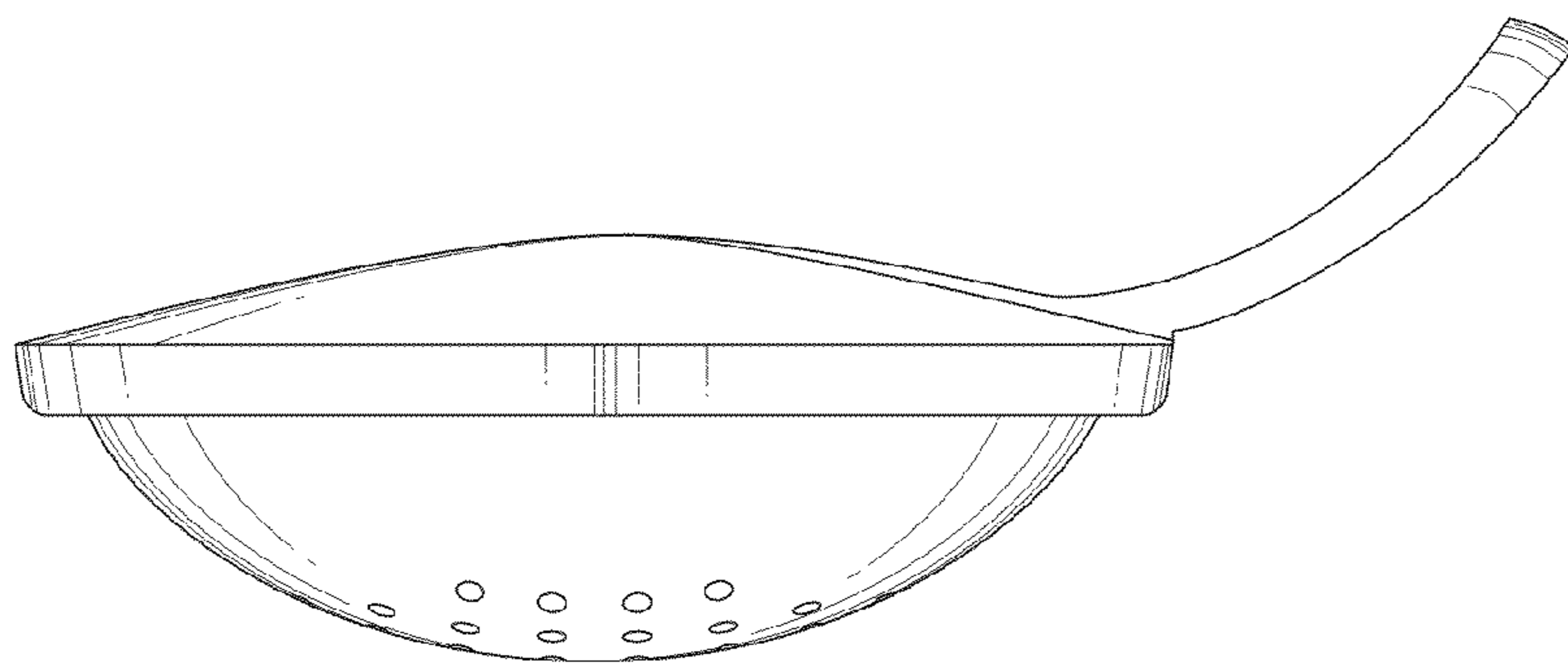


FIG. 2

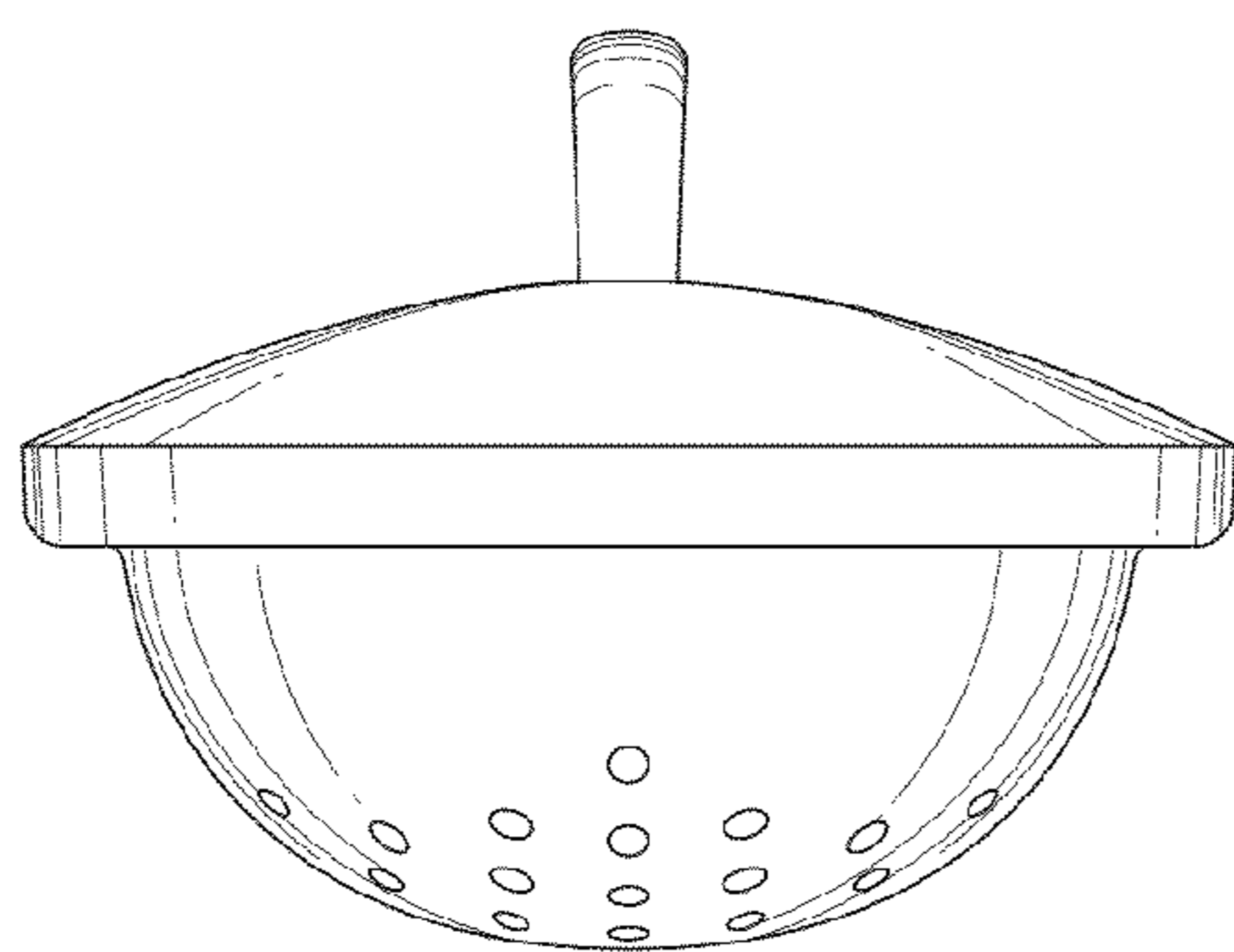


FIG. 3

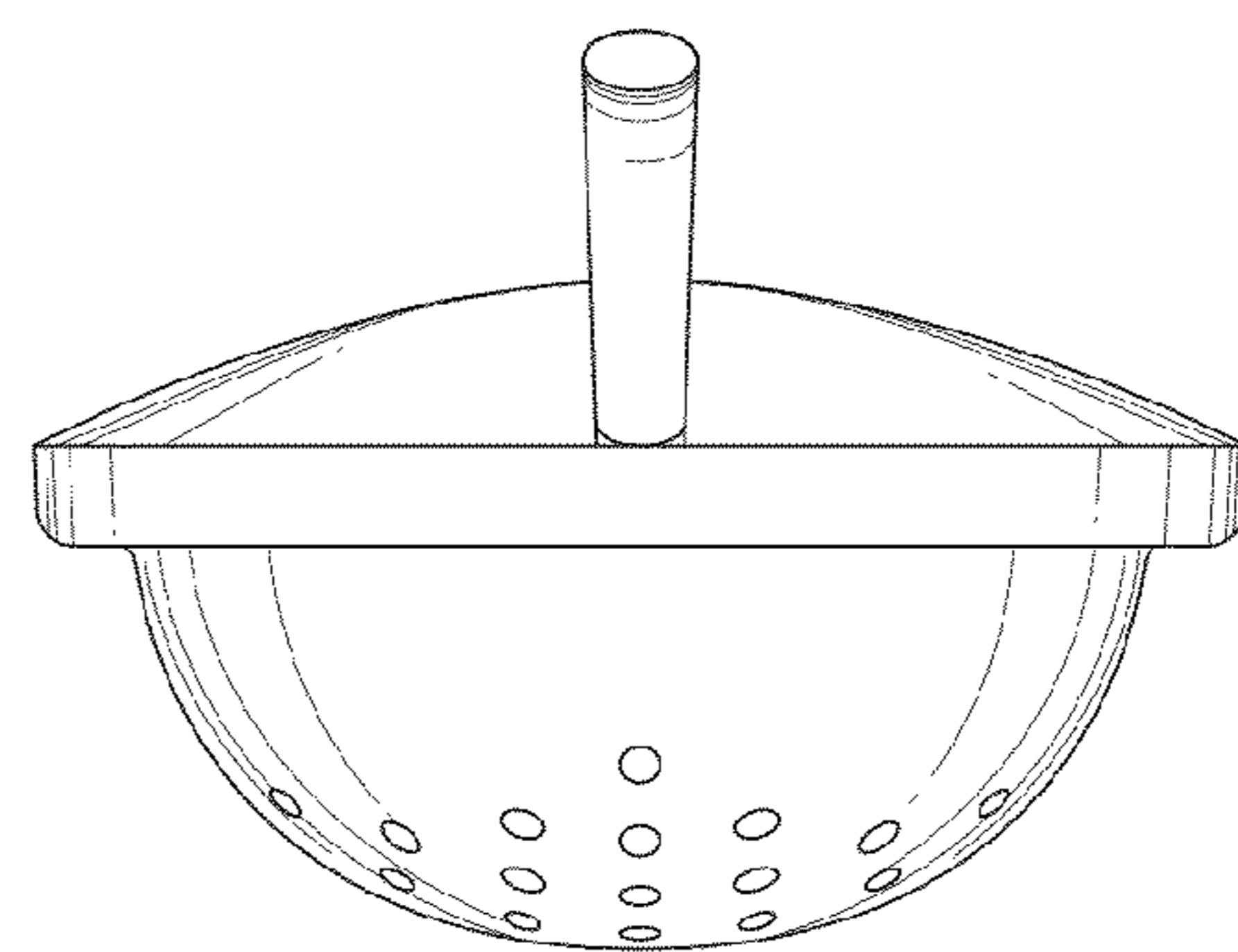


FIG. 4

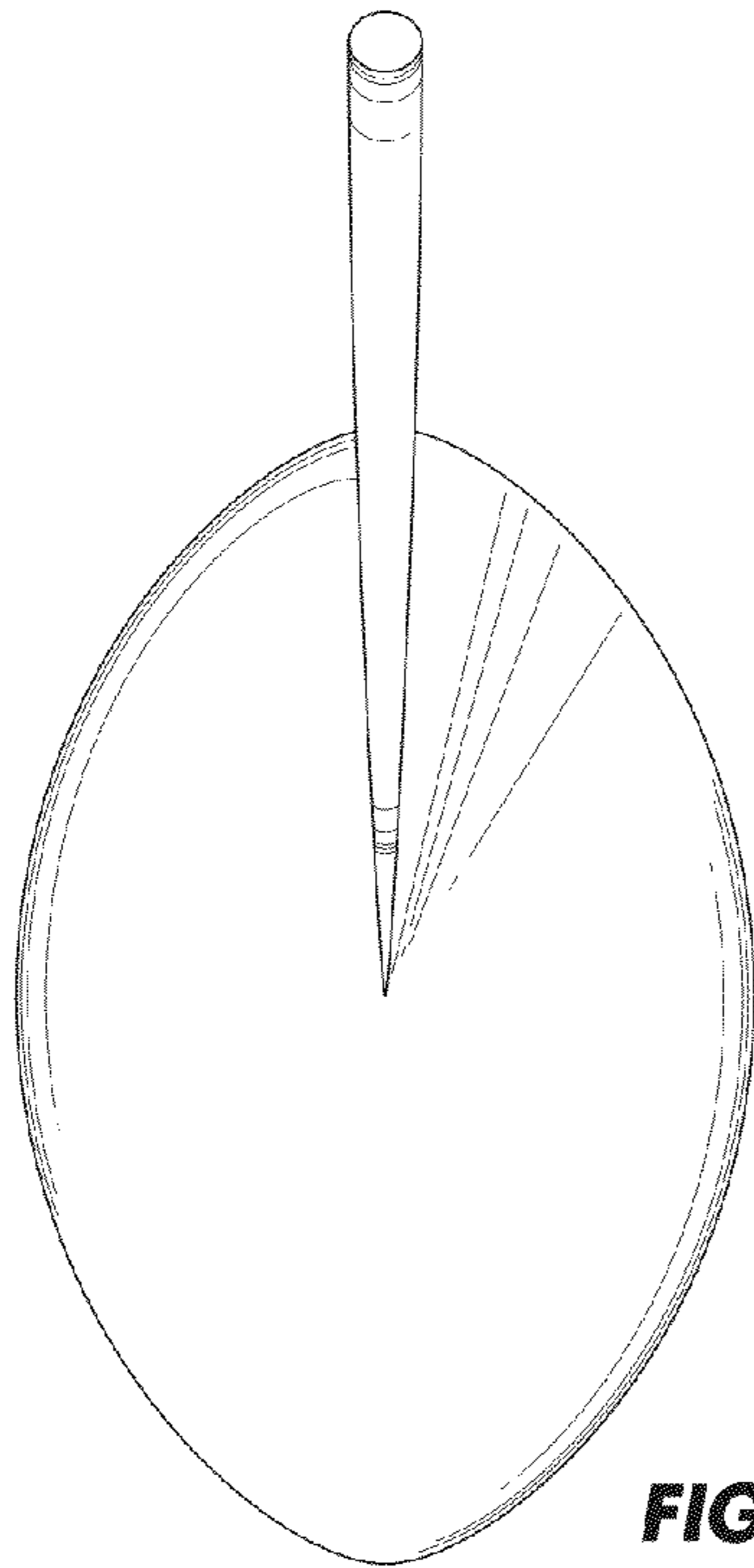


FIG. 5

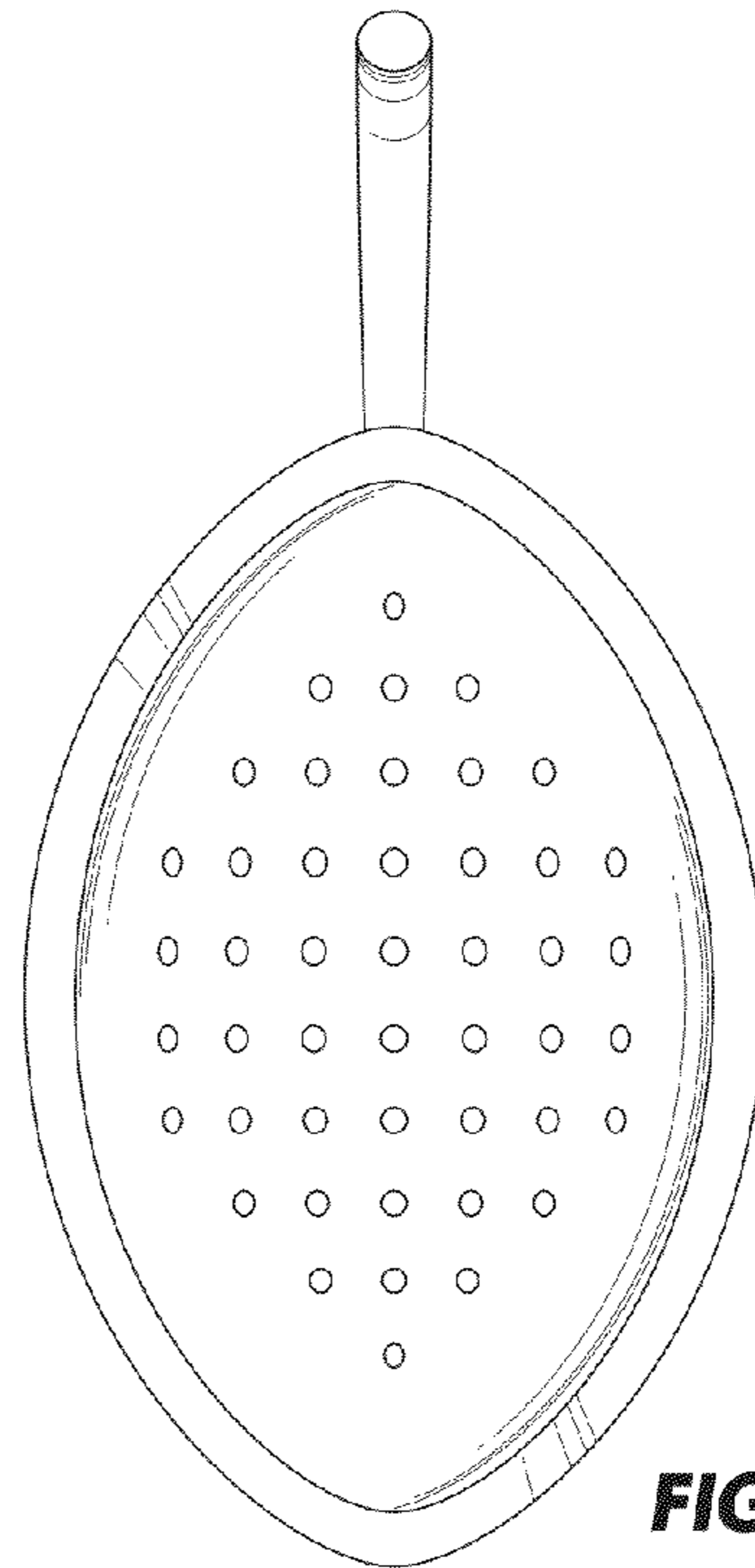


FIG. 6

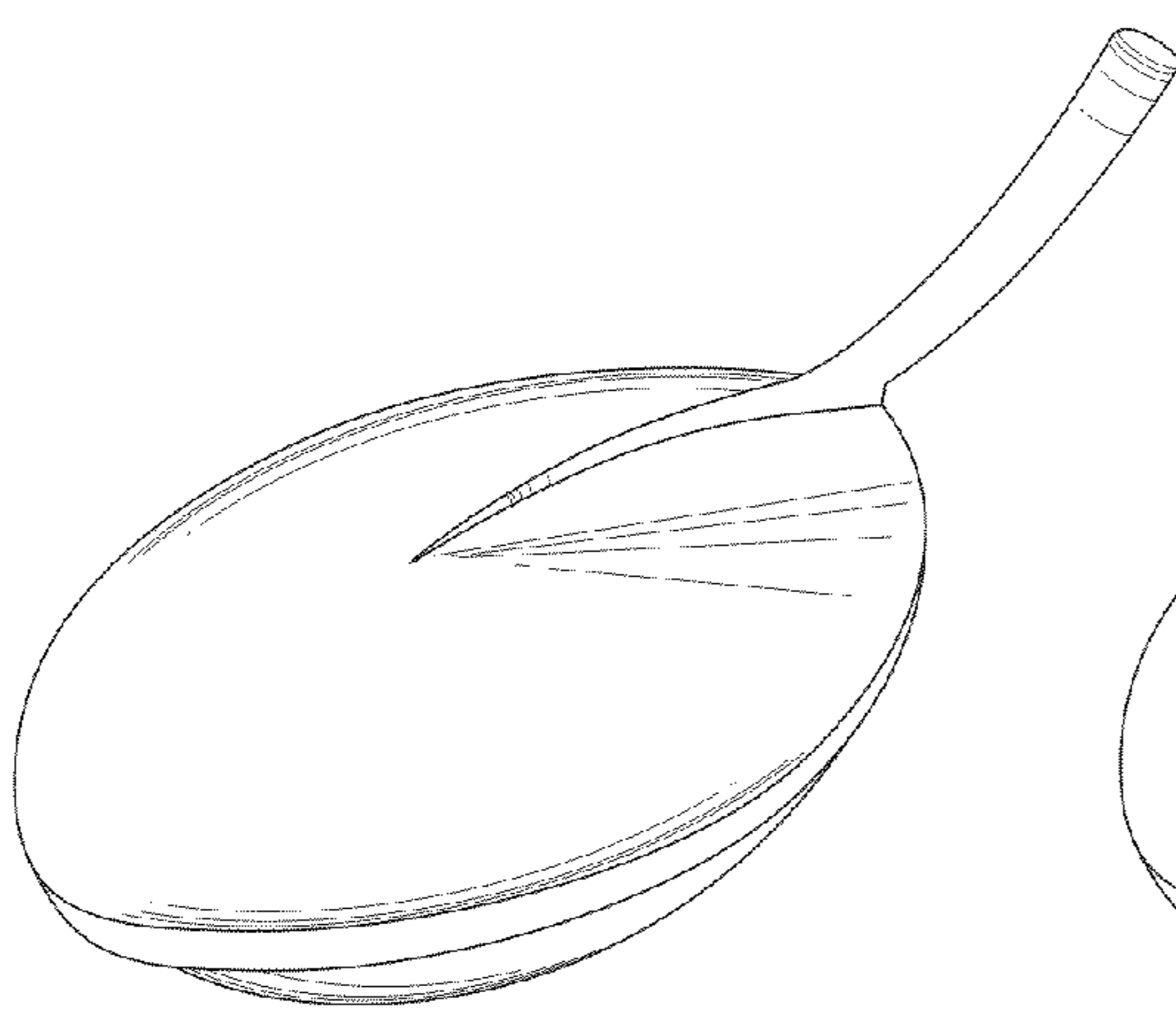


FIG. 7

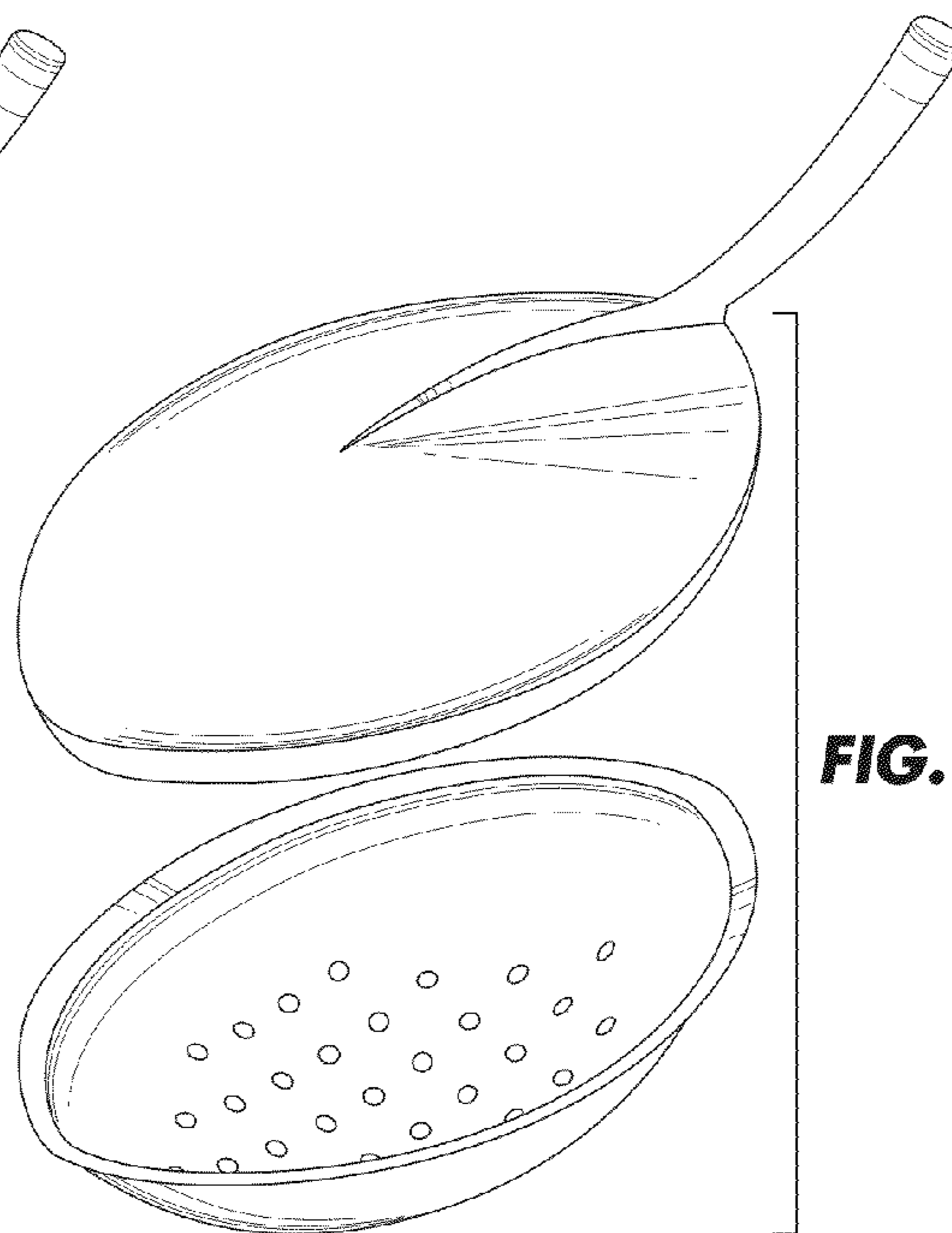


FIG. 8