



US00D746105S

(12) **United States Design Patent**  
**de Neufville**

(10) **Patent No.:** **US D746,105 S**  
(45) **Date of Patent:** **\*\* Dec. 29, 2015**

(54) **COMPACT COFFEE BREWER**  
(71) Applicant: **David de Neufville**, Califon, NJ (US)  
(72) Inventor: **David de Neufville**, Califon, NJ (US)  
(\*\*) Term: **14 Years**  
(21) Appl. No.: **29/474,223**  
(22) Filed: **Jul. 14, 2014**  
(51) **LOC (10) Cl.** ..... **31-00**  
(52) **U.S. Cl.**  
USPC ..... **D7/399; D7/400; D7/401**  
(58) **Field of Classification Search**  
USPC ..... D7/400, 396.2, 523, 387, 391, 392,  
D7/392.1, 393, 396.1, 396.3, 397, 398,  
D7/399, 401, 401.1, 213, 700, 667, 601,  
D7/602, 603, 671, 672, 675, 589;  
D10/46.2; D9/434, 435, 436, 439, 440,  
D9/444, 447; 220/709, 23.89, 229, 212.5;  
D3/203.1, 203.2, 302; D23/209, 268;  
215/397  
CPC ... B29C 33/50; B29C 33/0038; A47J 31/005;  
A47J 31/06; A47J 31/00; A47J 31/10; A47J  
31/02; A47J 31/14; A47G 19/2222; A47G  
19/2272; B65D 21/0233  
See application file for complete search history.

206/0.5  
D333,759 S \* 3/1993 Ferrin ..... D7/672  
D339,028 S \* 9/1993 Bannigan ..... D7/399  
D340,382 S \* 10/1993 Bannigan ..... D7/400  
D354,795 S \* 1/1995 Heligman ..... D23/209  
D359,451 S \* 6/1995 Dees ..... D9/443  
D373,704 S \* 9/1996 Doxey ..... D7/391  
D380,349 S \* 7/1997 Indekeu ..... D7/359  
D406,725 S \* 3/1999 Joergensen ..... D7/400  
D421,697 S \* 3/2000 Hollinger ..... D7/624.1  
D449,873 S \* 10/2001 Bronson ..... D23/261  
6,305,832 B1 \* 10/2001 Huang ..... A47G 21/00  
362/120  
D476,531 S \* 7/2003 Rangel ..... D6/681.2  
D521,329 S \* 5/2006 Bodum ..... D7/400  
D551,918 S \* 10/2007 Laib ..... D10/46.2  
D557,989 S \* 12/2007 Deeds ..... D7/589  
7,437,990 B2 \* 10/2008 Duch ..... A47J 31/005  
99/297  
D592,011 S \* 5/2009 Fujimoto ..... D7/316  
D618,500 S \* 6/2010 Hardaway ..... D7/396.2  
D625,956 S \* 10/2010 Goddard-Clark ..... D7/543

(Continued)

*Primary Examiner* — Marianne Pandozzi  
*Assistant Examiner* — Jae Liang

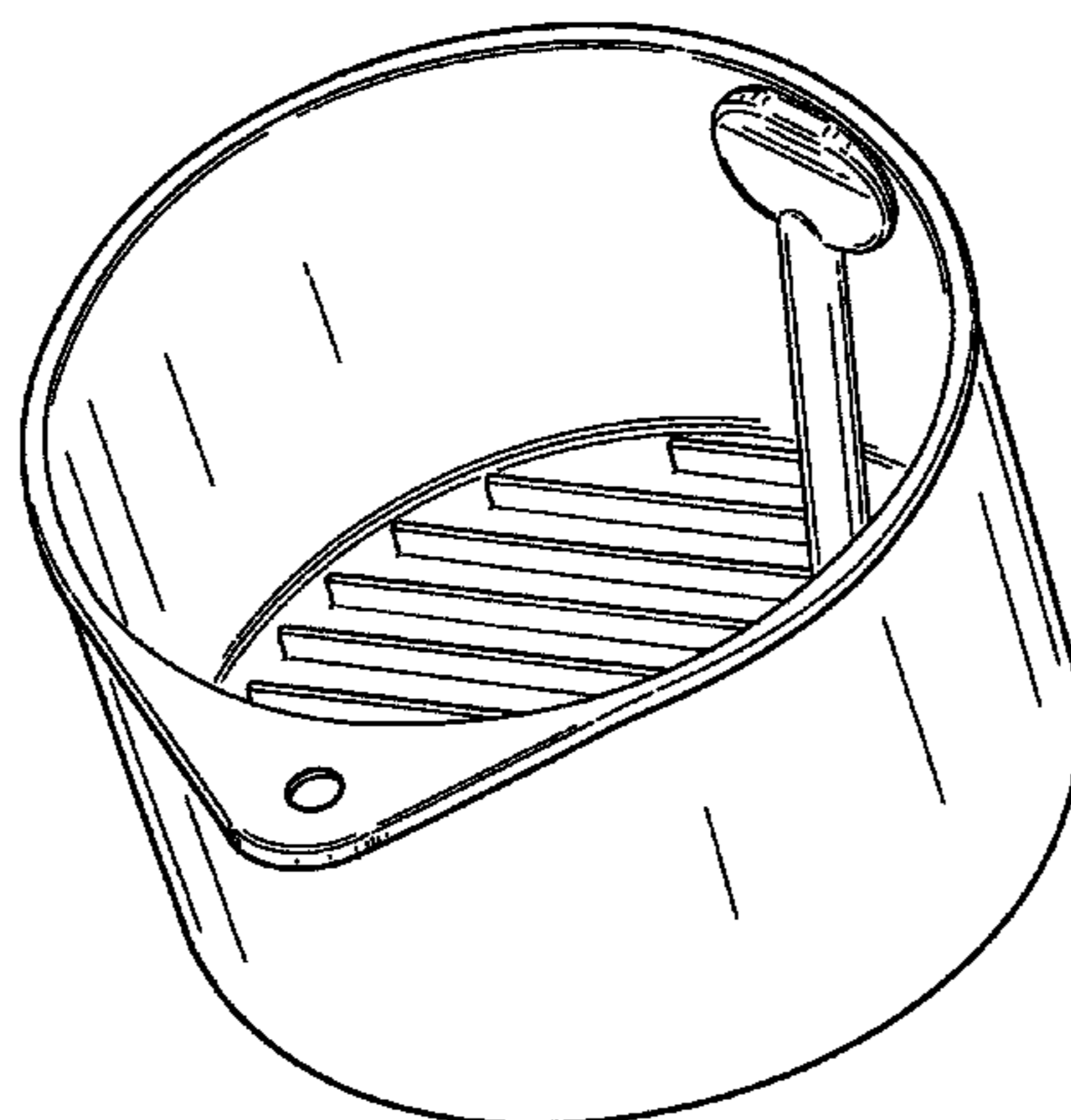
(57) **CLAIM**  
The ornamental design for a compact coffee brewer, as shown and described.

**DESCRIPTION**

FIG. 1 is a top perspective view of a compact coffee brewer with the plug portion removed for ease of illustration showing my new design;  
FIG. 2 is a front view thereof;  
FIG. 3 is a left side view thereof;  
FIG. 4 is a top view thereof;  
FIG. 5 is a bottom view thereof;  
FIG. 6 is a top perspective view of a compact coffee brewer with the cup portion removed for ease of illustration;  
FIG. 7 is a front view thereof;  
FIG. 8 is a top view thereof;  
FIG. 9 is a left side view thereof; and,  
FIG. 10 is a perspective view of a compact coffee brewer.

**1 Claim, 7 Drawing Sheets**

(56) **References Cited**  
U.S. PATENT DOCUMENTS  
1,303,890 A \* 5/1919 Gustafson ..... B67C 11/066  
141/204  
1,369,557 A \* 2/1921 Shaw ..... A47J 31/06  
210/479  
1,870,254 A \* 8/1932 Kircher ..... A47J 31/02  
99/306  
2,723,111 A \* 11/1955 Lawrence ..... A47J 43/27  
416/71  
3,221,955 A \* 12/1965 Banaszak ..... B65D 25/48  
220/701  
D204,310 S \* 4/1966 Scheurn ..... D10/83  
D210,848 S \* 4/1968 Robb ..... D7/213  
D270,513 S \* 9/1983 Wallsten ..... D7/400  
4,828,850 A \* 5/1989 Davis ..... A47J 31/02



(56)

References Cited

U.S. PATENT DOCUMENTS

D659,465 S *	5/2012	Burns	.....	D7/300.2				
D660,077 S *	5/2012	Burns	.....	D7/300.2				
D660,645 S *	5/2012	Zandona	.....	D7/400				
D669,309 S *	10/2012	de Klein	.....	D7/399				
D671,379 S *	11/2012	Lion	.....	D7/700				
D673,809 S *	1/2013	Burns	.....	D7/300.2				
D677,126 S *	3/2013	Montgomery	.....	D7/213				
D705,592 S *	5/2014	Burns	.....	D7/300.2				
D707,490 S *	6/2014	Hertaus	.....	D7/397				
D717,110 S *	11/2014	De Leo	.....	D7/399				
D733,491 S *	7/2015	Gluck	.....	D7/392.1				
					D735,528 S *	8/2015	Hubert	..... D7/213
					D736,080 S *	8/2015	Lavender	..... D9/434
					2005/0284874 A1 *	12/2005	Lucks	..... B65D 47/121 220/712
					2006/0172041 A1 *	8/2006	Farrell	..... A23L 2/50 426/95
					2007/0095833 A1 *	5/2007	Burns	..... B65D 39/0005 220/254.7
					2007/0251395 A1 *	11/2007	Wu	..... A47J 31/10 99/279
					2008/0217345 A1 *	9/2008	Hansen	..... A47G 19/127 220/703
					2011/0185913 A1 *	8/2011	Webster	..... A47J 31/02 99/316

\* cited by examiner

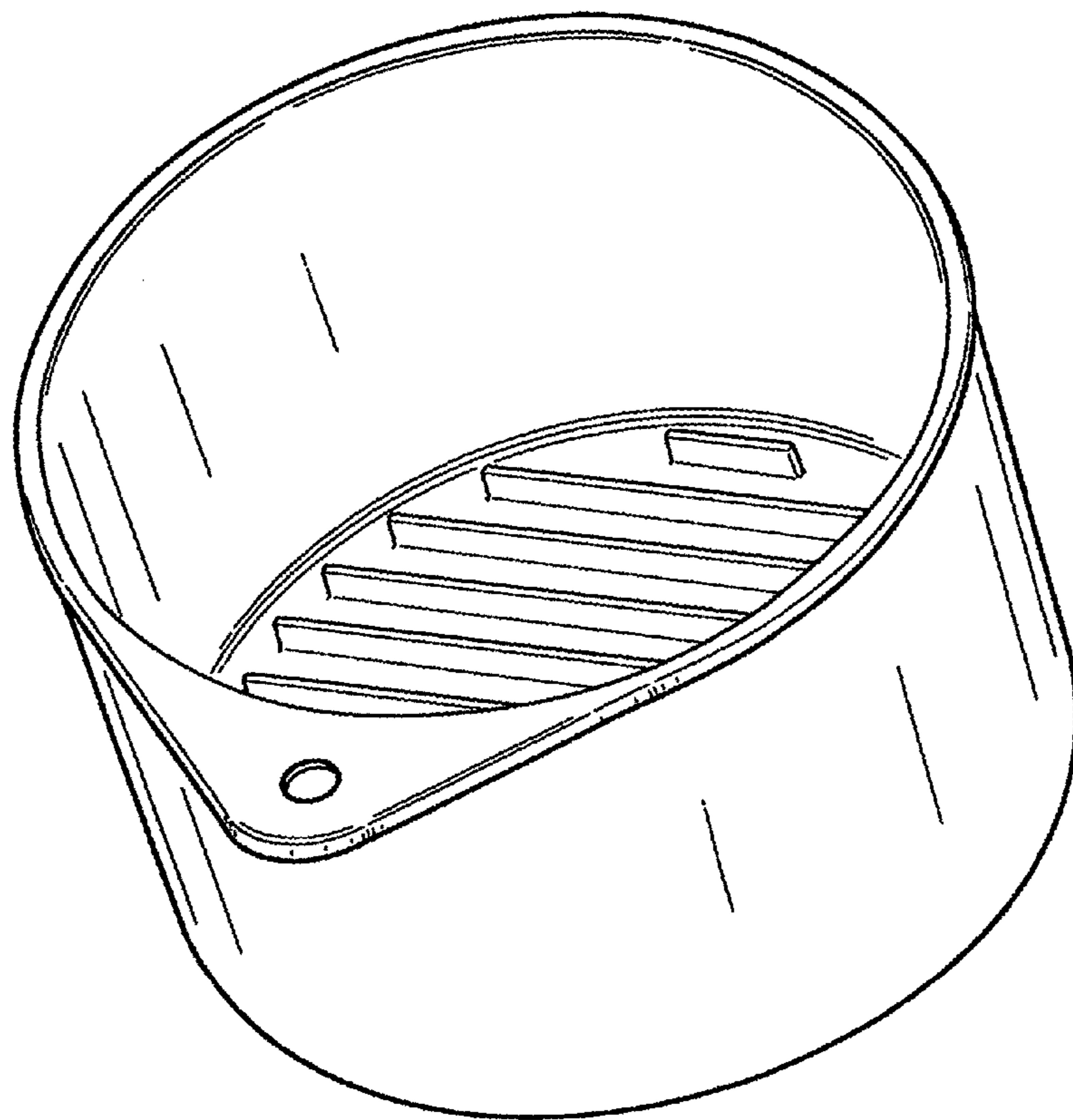
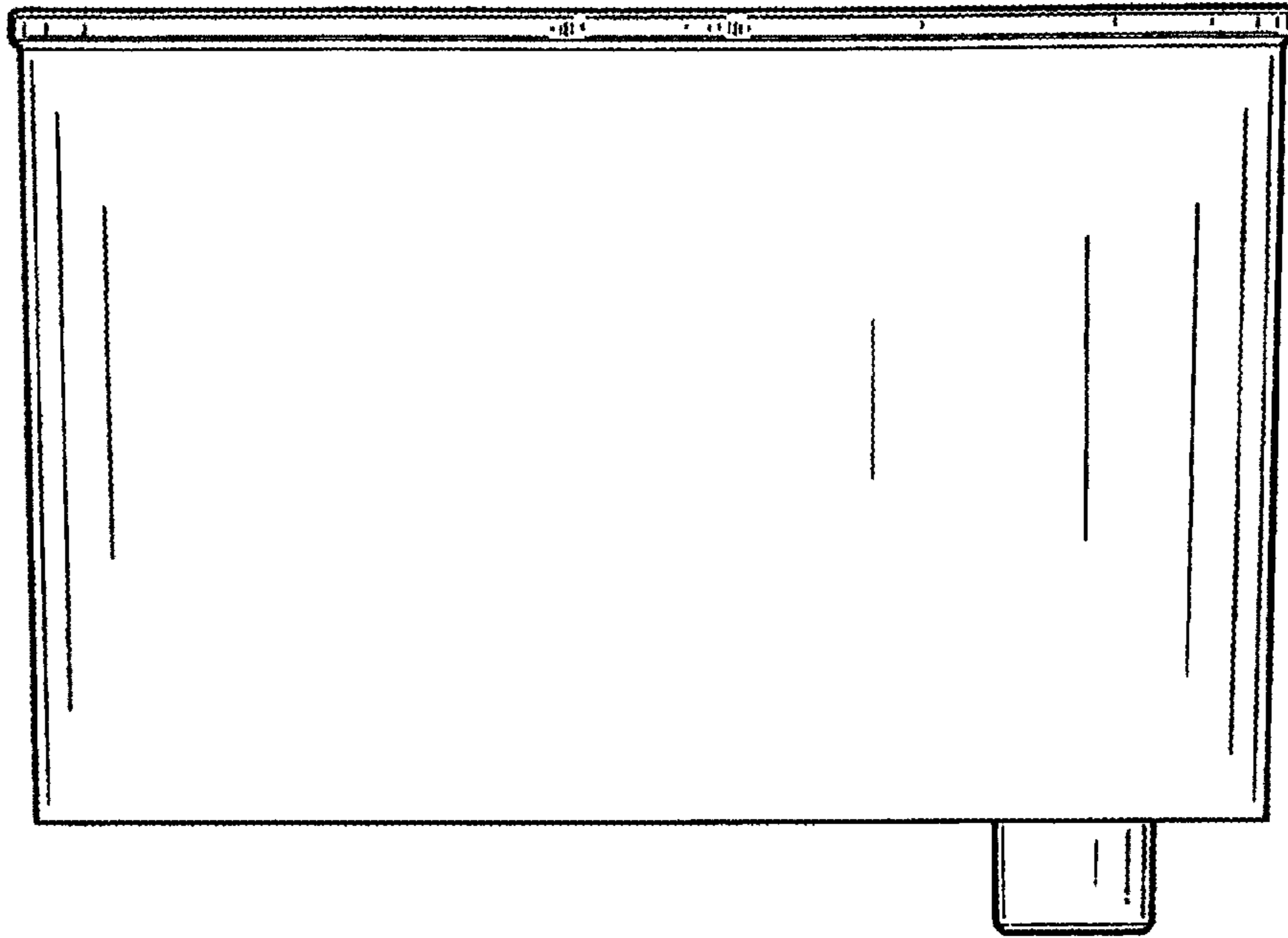
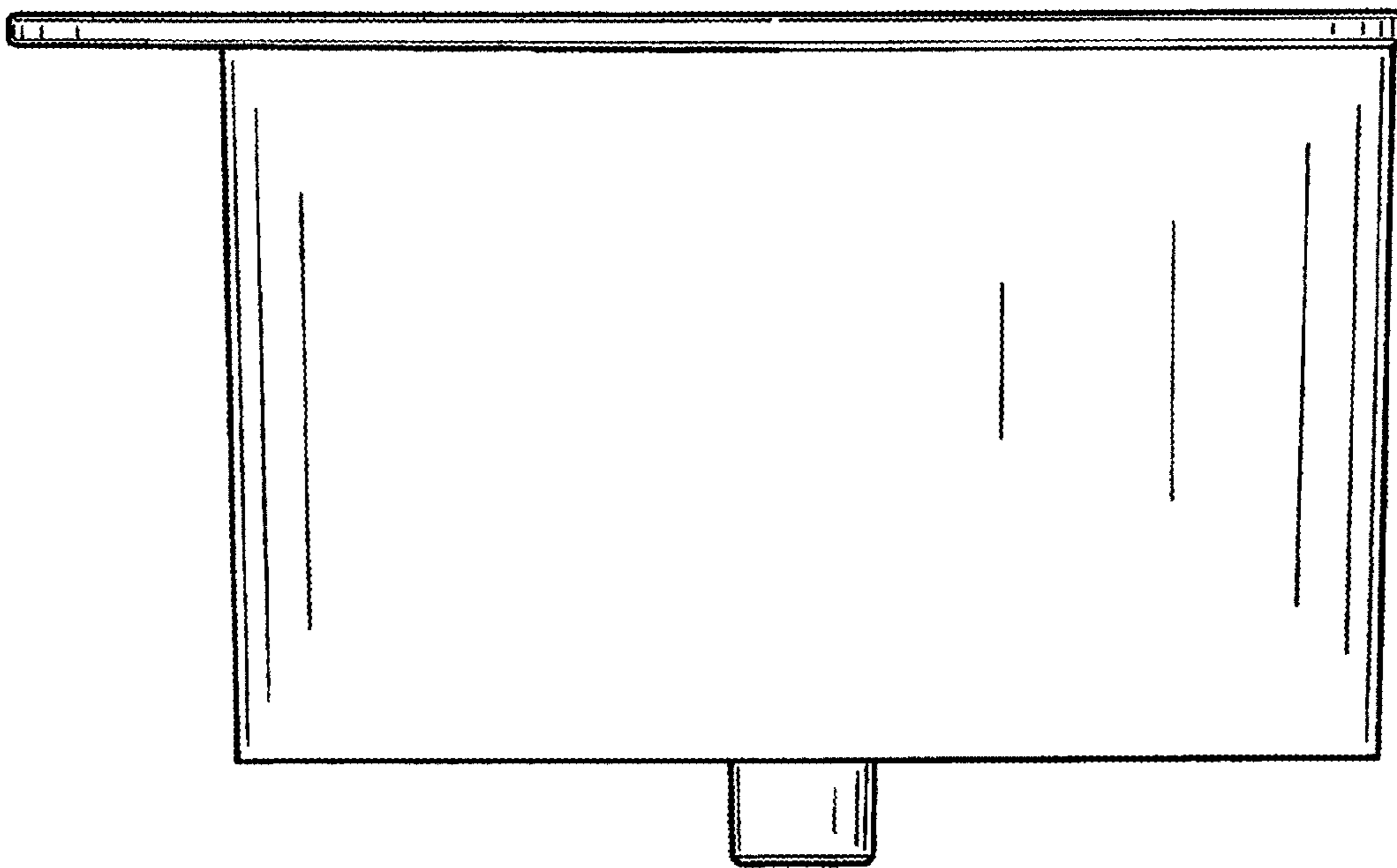


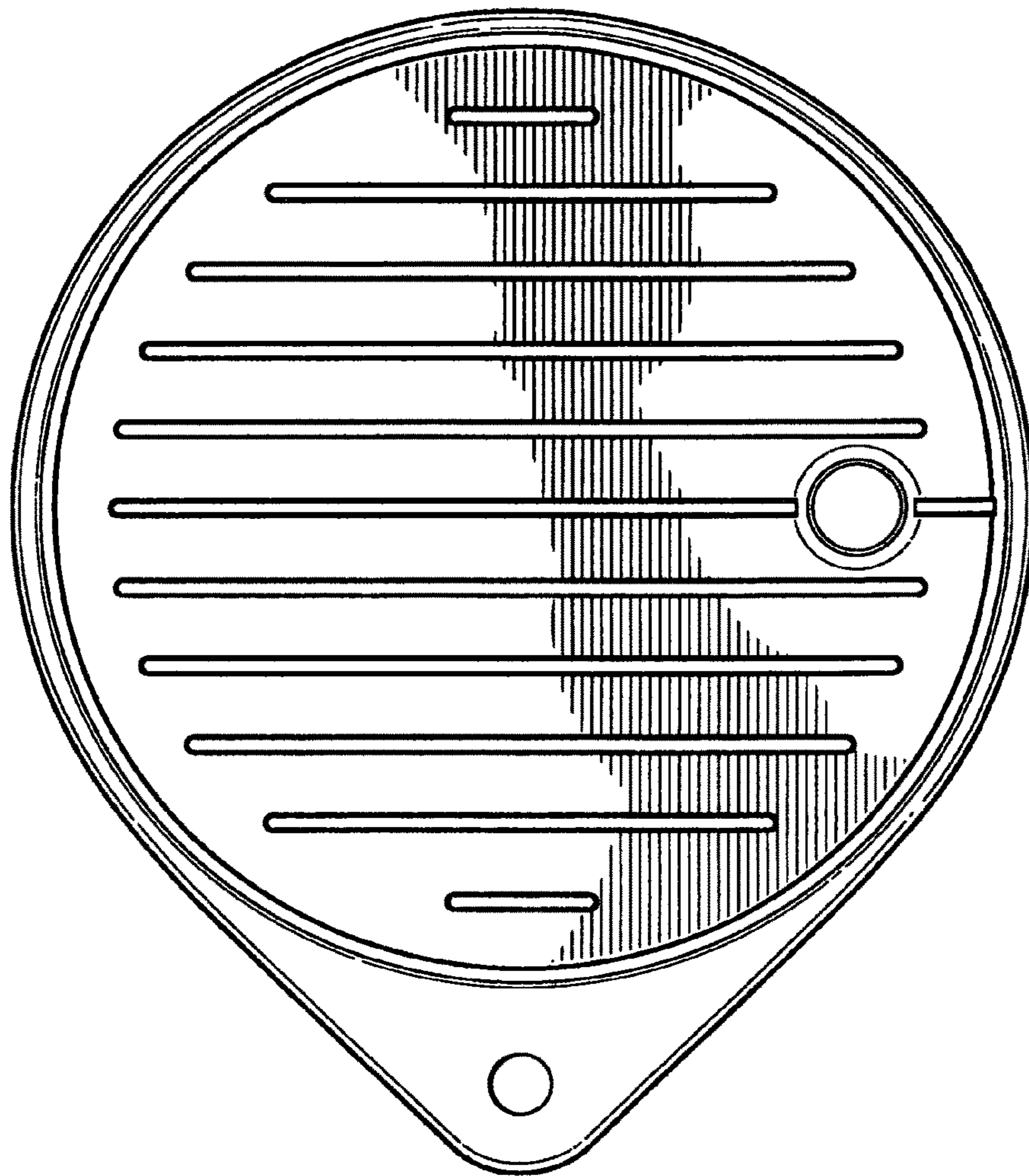
FIG. 1



**FIG. 2**



**FIG. 3**



**FIG. 4**

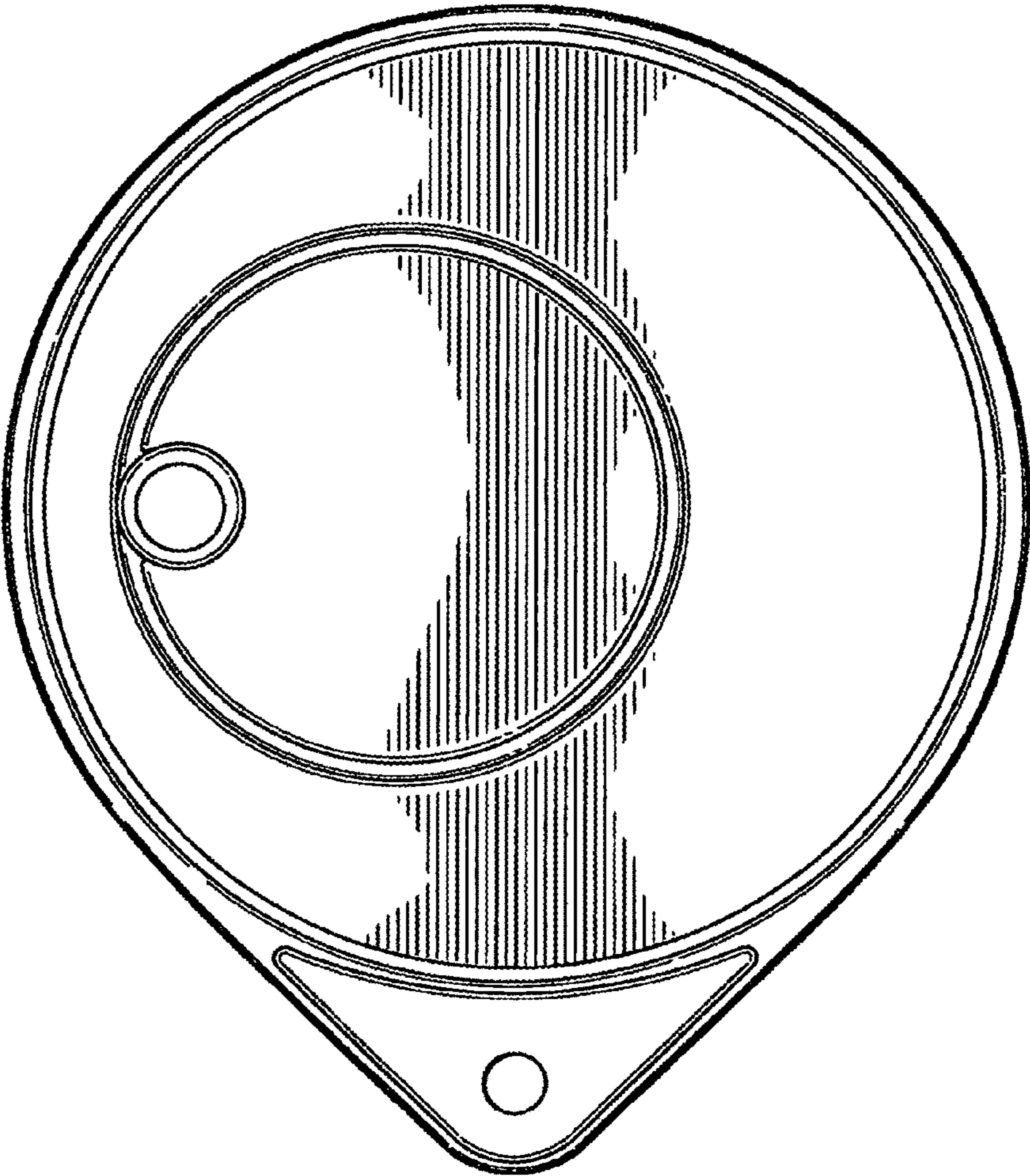
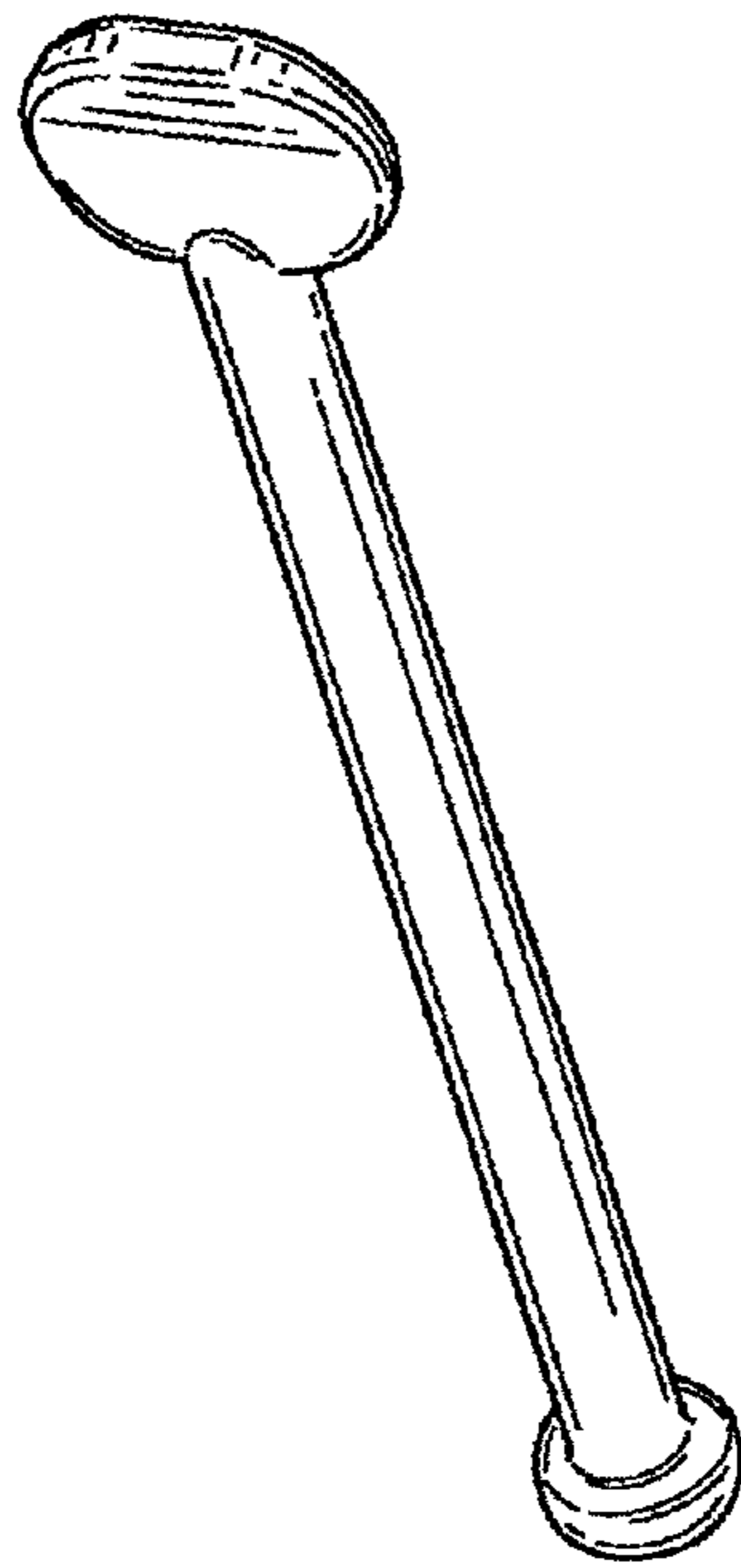
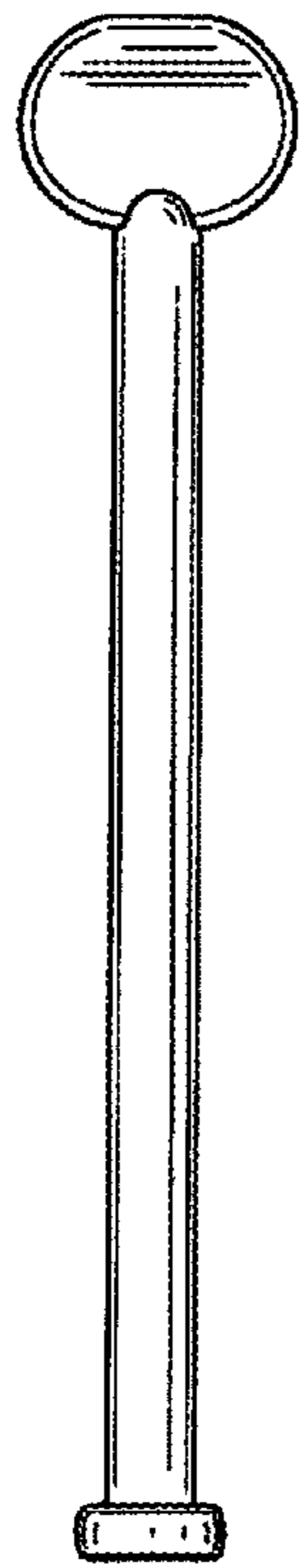


FIG. 5



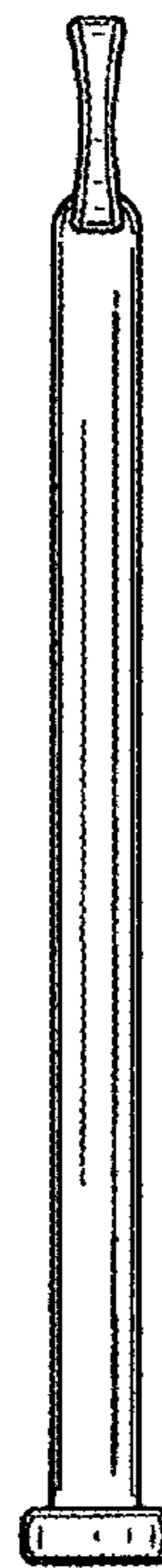
**FIG. 6**



**FIG. 7**

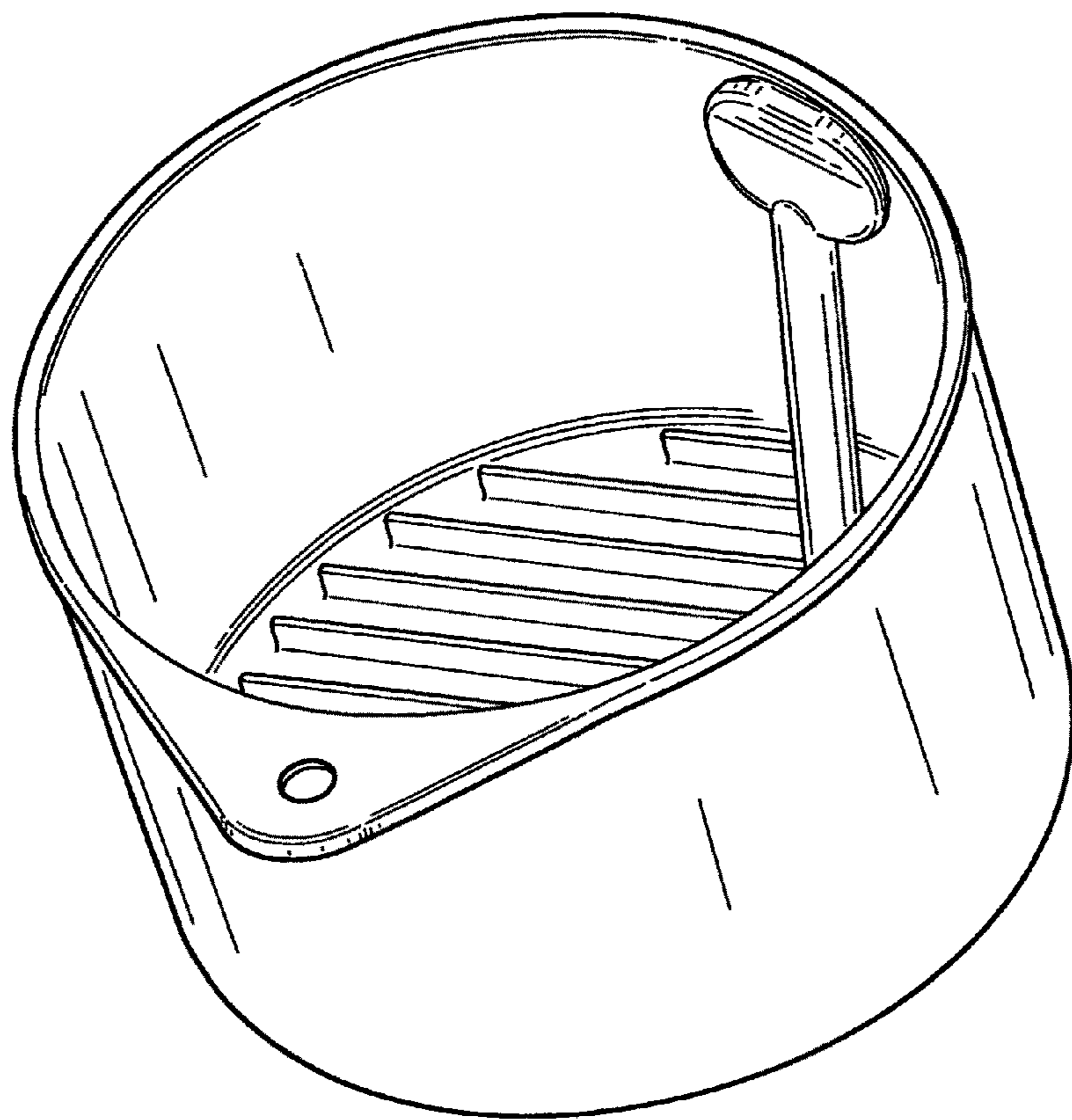


**FIG. 8**



**FIG. 9**





**FIG. 10**