



US00D746093S

(12) **United States Design Patent**  
**Bazzicalupo et al.**

(10) **Patent No.:** **US D746,093 S**

(45) **Date of Patent:** **\*\* Dec. 29, 2015**

(54) **TOASTER**

(71) Applicants: **Matteo Bazzicalupo**, Iseo (IT);  
**Raffaella Mangiarotti**, Milan (IT)

(72) Inventors: **Matteo Bazzicalupo**, Iseo (IT);  
**Raffaella Mangiarotti**, Milan (IT)

(73) Assignee: **SMEG S.p.A.** (IT)

(\*\*) Term: **14 Years**

(21) Appl. No.: **29/487,793**

(22) Filed: **Apr. 11, 2014**

(30) **Foreign Application Priority Data**

Oct. 11, 2013 (EM) ..... 002324962

(51) **LOC (10) Cl.** ..... **07-02**

(52) **U.S. Cl.**  
USPC ..... **D7/330**

(58) **Field of Classification Search**

USPC ..... D7/323, 328-330, 390  
CPC ..... A21B 2/00; A47J 37/00; A47J 37/06;  
A47J 37/0611; A47J 37/08; A47J 37/0807;  
A47J 37/0814; A47J 37/0835; A47J 37/0842;  
A47J 37/085; A47J 37/0864; A47J 37/0878;  
A47J 37/0885; A47J 37/0892; F24C 15/10;  
F24C 15/102

See application file for complete search history.

(56) **References Cited**

**U.S. PATENT DOCUMENTS**

D428,759 S	*	8/2000	Hughes	.....	D7/330
D472,421 S	*	4/2003	To	.....	D7/330
D473,093 S	*	4/2003	To	.....	D7/330
D509,702 S	*	9/2005	Picozza et al.	.....	D7/330
D520,801 S	*	5/2006	Cuffaro et al.	.....	D7/330
D548,512 S	*	8/2007	Nakatani	.....	D7/330
D567,570 S	*	4/2008	O'Loughlin	.....	D7/330

(Continued)

*Primary Examiner* — Ricky Pham

(74) *Attorney, Agent, or Firm* — The Belles Group, P.C.

(57) **CLAIM**

The ornamental design for a toaster, as shown and described.

**DESCRIPTION**

FIG. 1 is a front-right perspective view of a domestic appliance in accordance with a first embodiment of the present invention;

FIG. 2 is a right-side plan view thereof;

FIG. 3 is a front plan view thereof;

FIG. 4 is a left-side plan view thereof;

FIG. 5 is a rear plan view thereof;

FIG. 6 is a top plan view thereof;

FIG. 7 is a bottom plan view thereof;

FIG. 8 is a front-right perspective view of a domestic appliance in accordance with a second embodiment of the present invention;

FIG. 9 is a right-side plan view thereof;

FIG. 10 is a front plan view thereof;

FIG. 11 is a left-side plan view thereof;

FIG. 12 is a rear plan view thereof;

FIG. 13 is a top plan view thereof;

FIG. 14 is a bottom plan view thereof;

FIG. 15 is a front-right perspective view of a domestic appliance in accordance with a third embodiment of the present invention;

FIG. 16 is a right-side plan view thereof;

FIG. 17 is a front plan view thereof;

FIG. 18 is a left-side plan view thereof;

FIG. 19 is a rear plan view thereof;

FIG. 20 is a top plan view thereof;

FIG. 21 is a bottom plan view thereof;

FIG. 22 is a front-right perspective view of a domestic appliance in accordance with a fourth embodiment of the present invention;

FIG. 23 is a right-side plan view thereof;

FIG. 24 is a front plan view thereof;

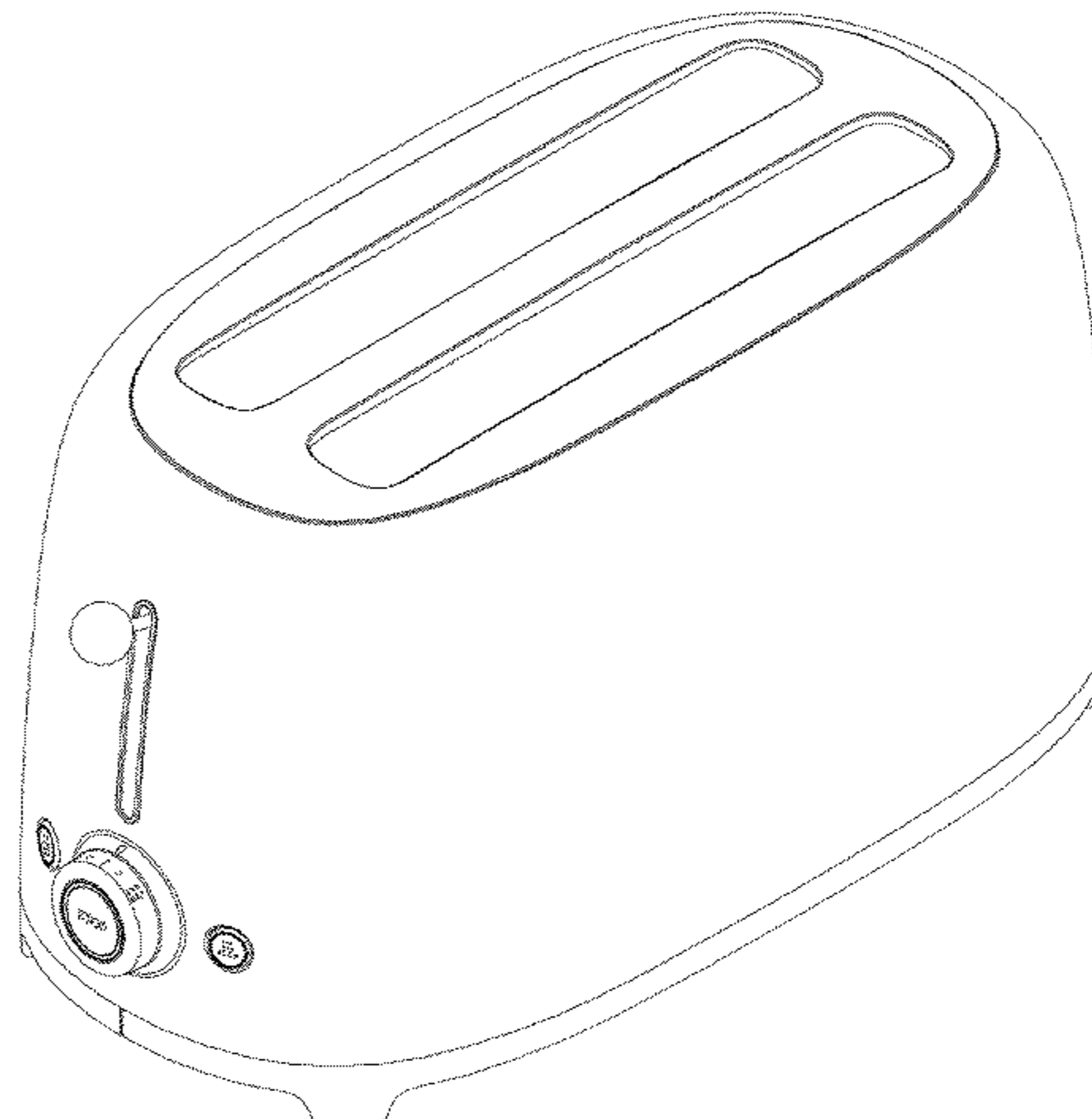
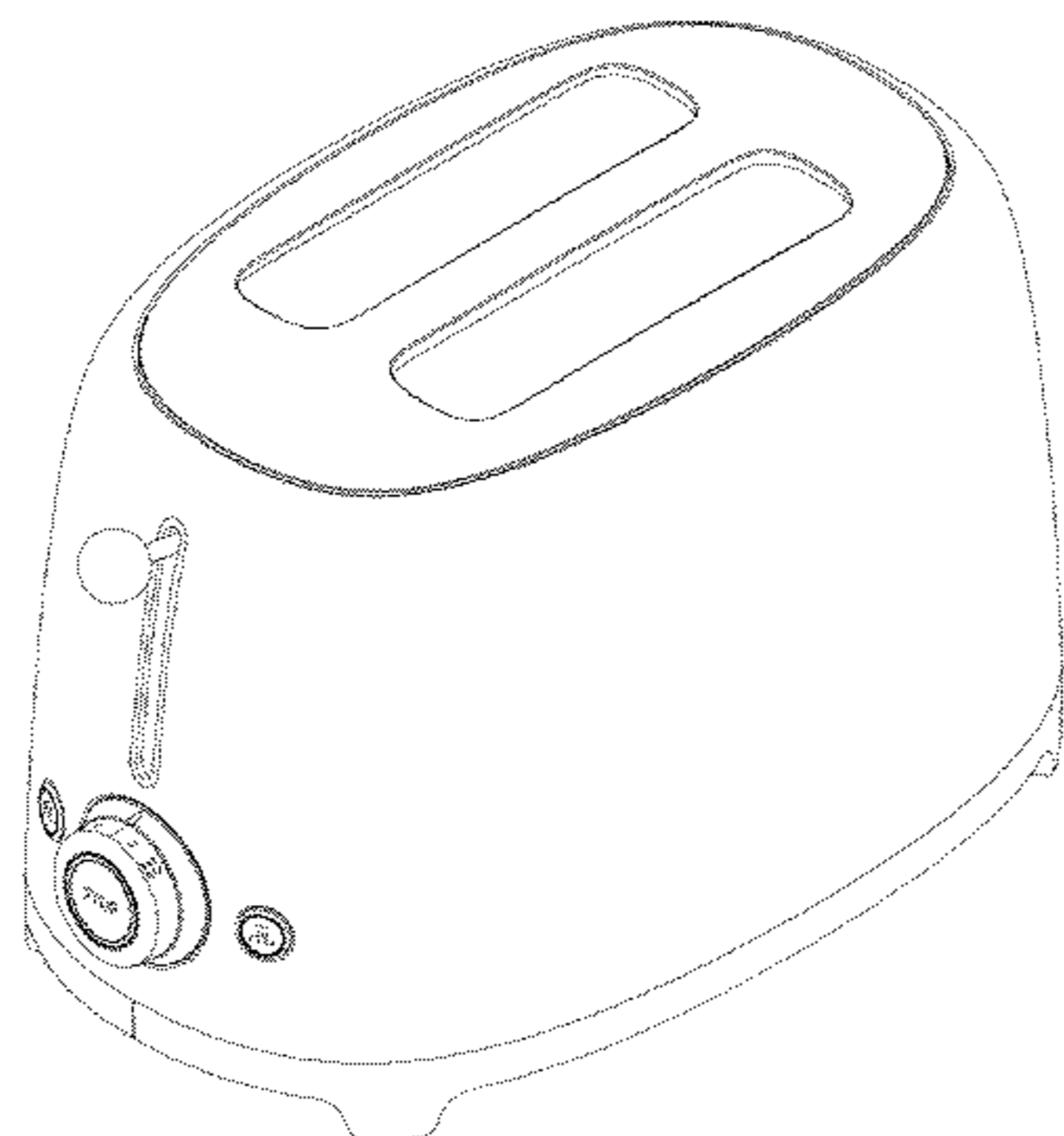
FIG. 25 is a left-side plan view thereof;

FIG. 26 is a rear plan view thereof;

FIG. 27 is a top plan view thereof; and,

FIG. 28 is a bottom plan view thereof.

**1 Claim, 28 Drawing Sheets**



# US D746,093 S

Page 2

---

(56)

## References Cited

### U.S. PATENT DOCUMENTS

D593,357 S \* 6/2009 Picozza et al. .... D7/330  
D640,893 S \* 7/2011 Lindquist et al. .... D7/330  
D644,473 S \* 9/2011 Pantaleo et al. .... D7/330

D688,509 S \* 8/2013 Carlson ..... D7/330  
D701,720 S \* 4/2014 Palermo et al. .... D7/330  
D724,885 S \* 3/2015 Kunz ..... D7/330

\* cited by examiner

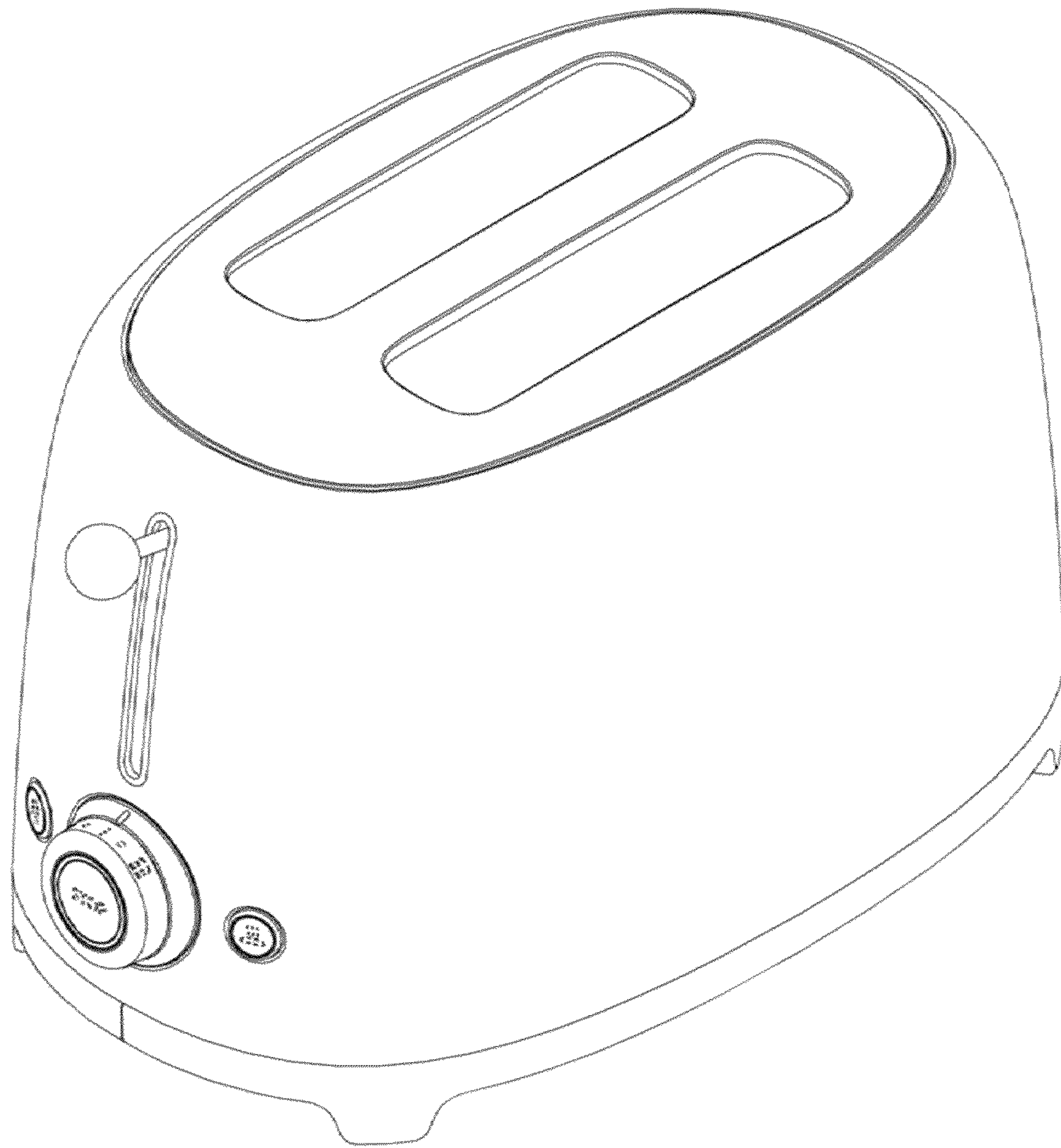


FIG. 1

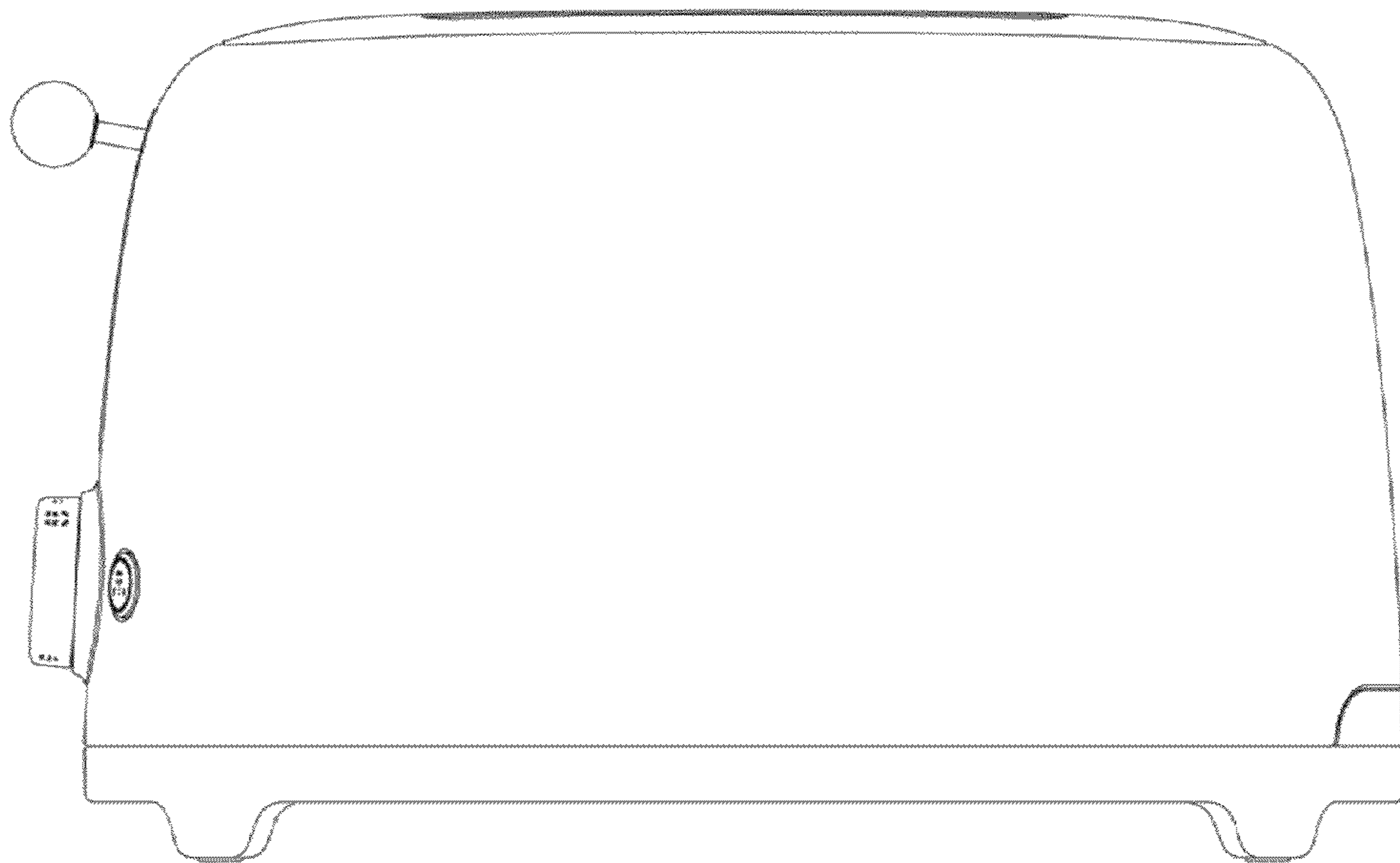


FIG. 2

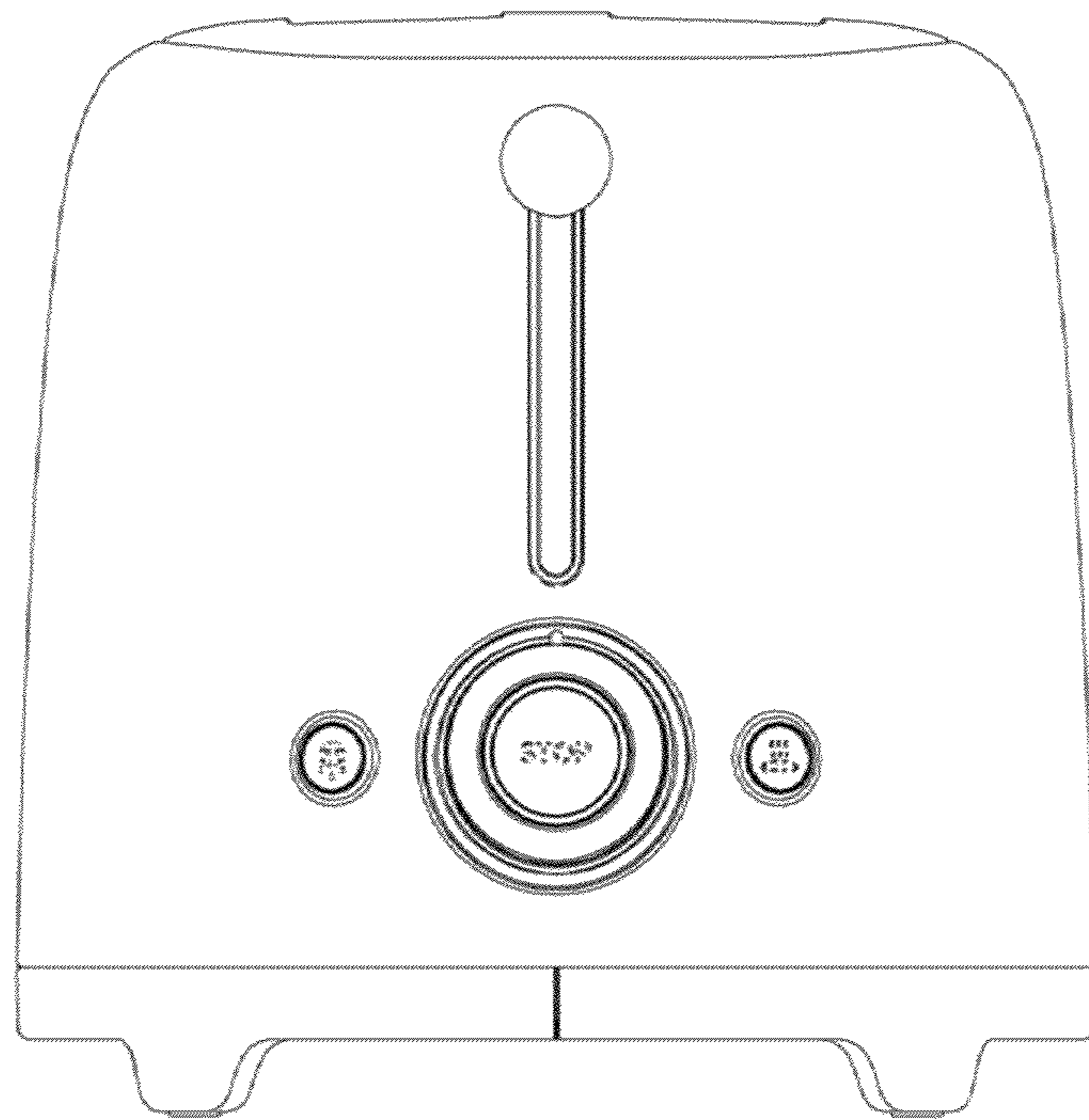


FIG. 3

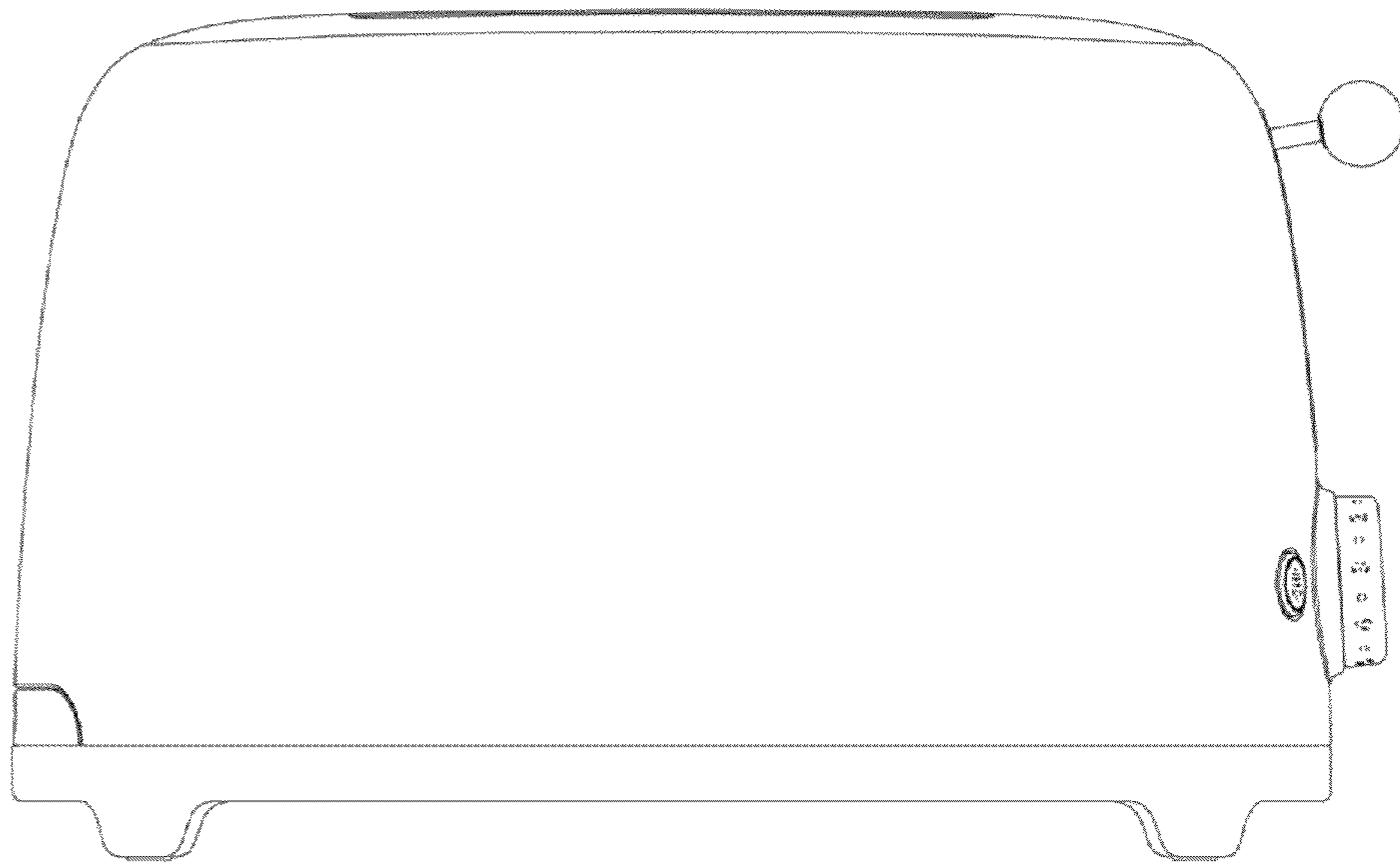


FIG. 4

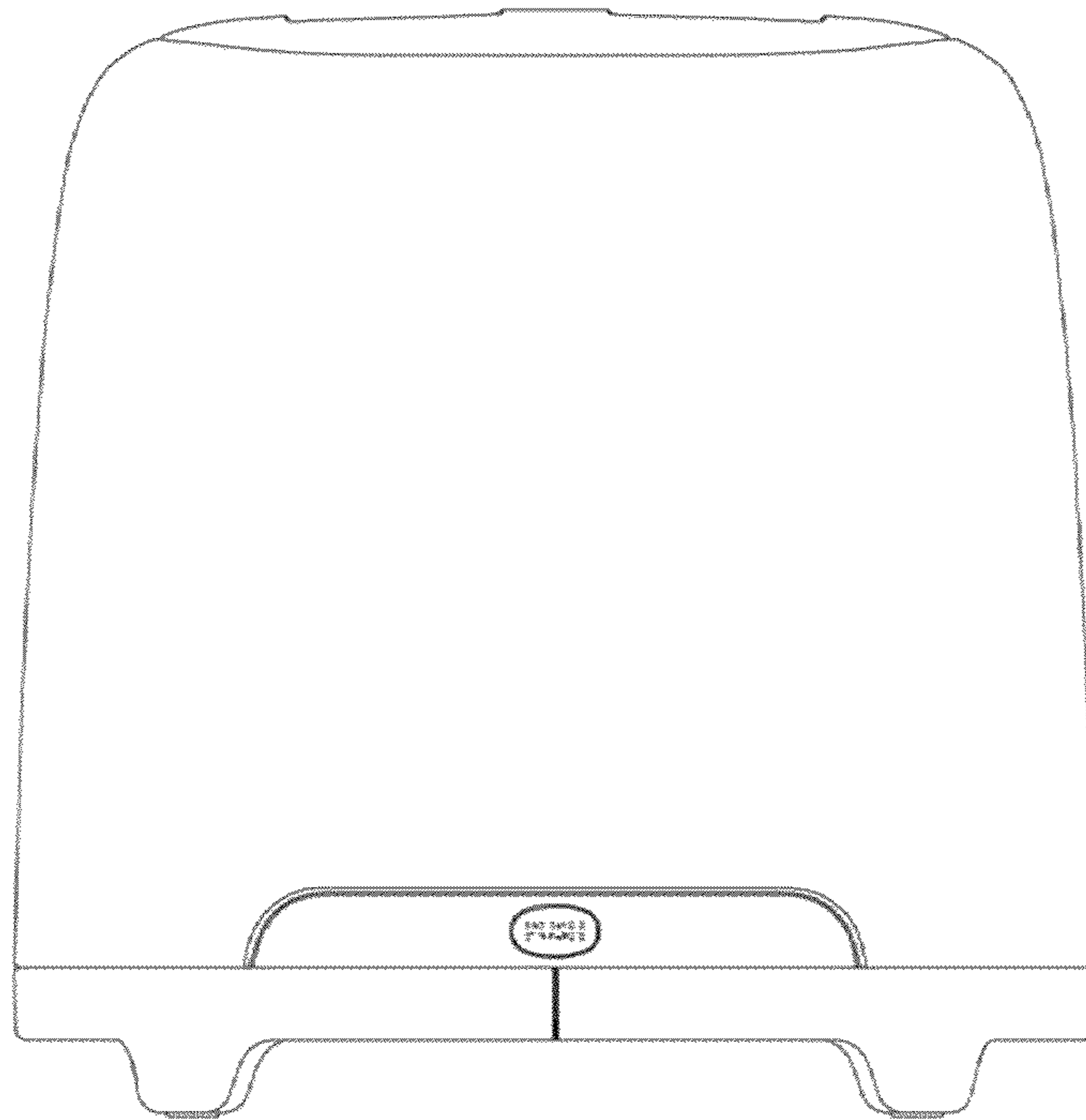


FIG. 5

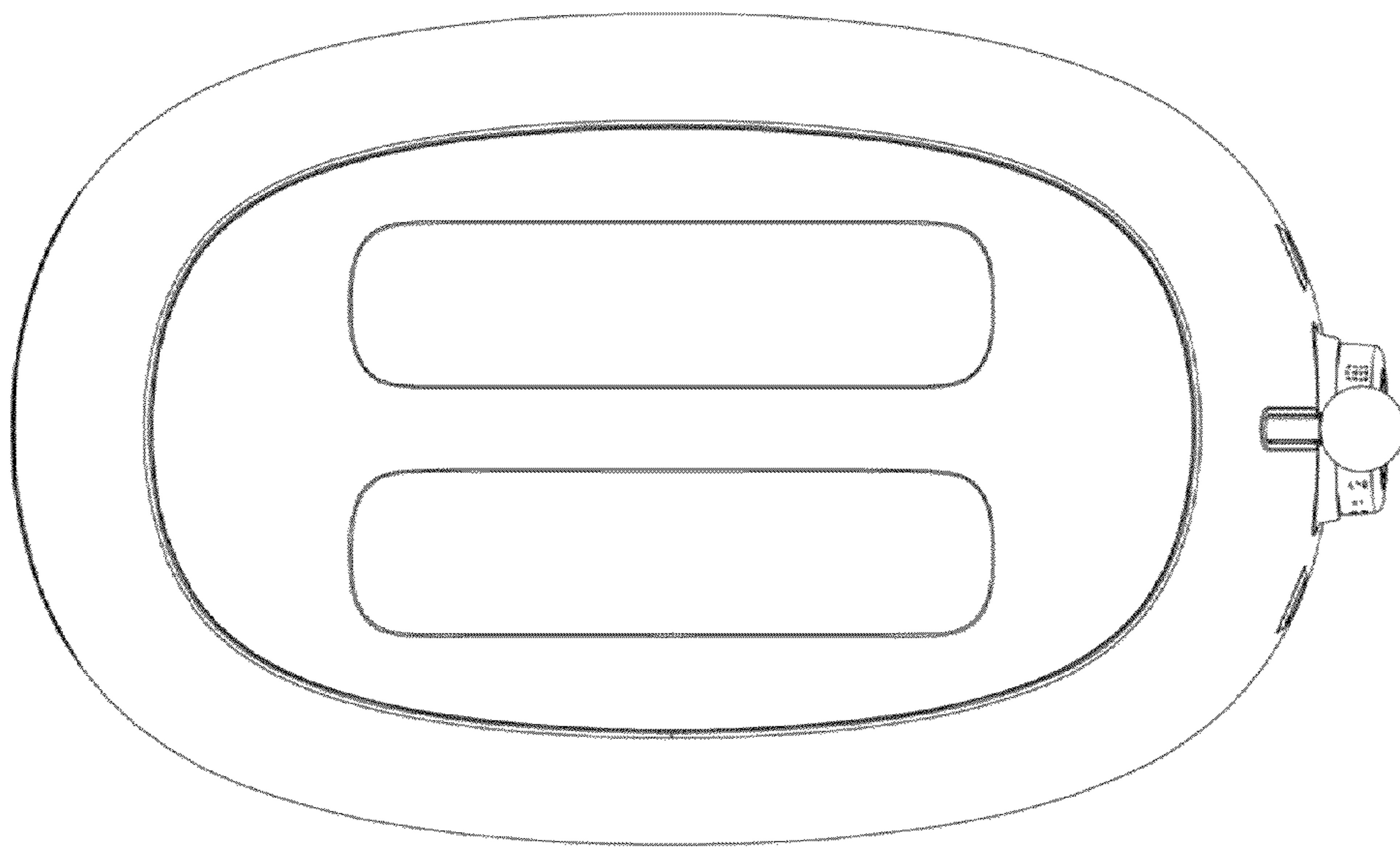


FIG. 6



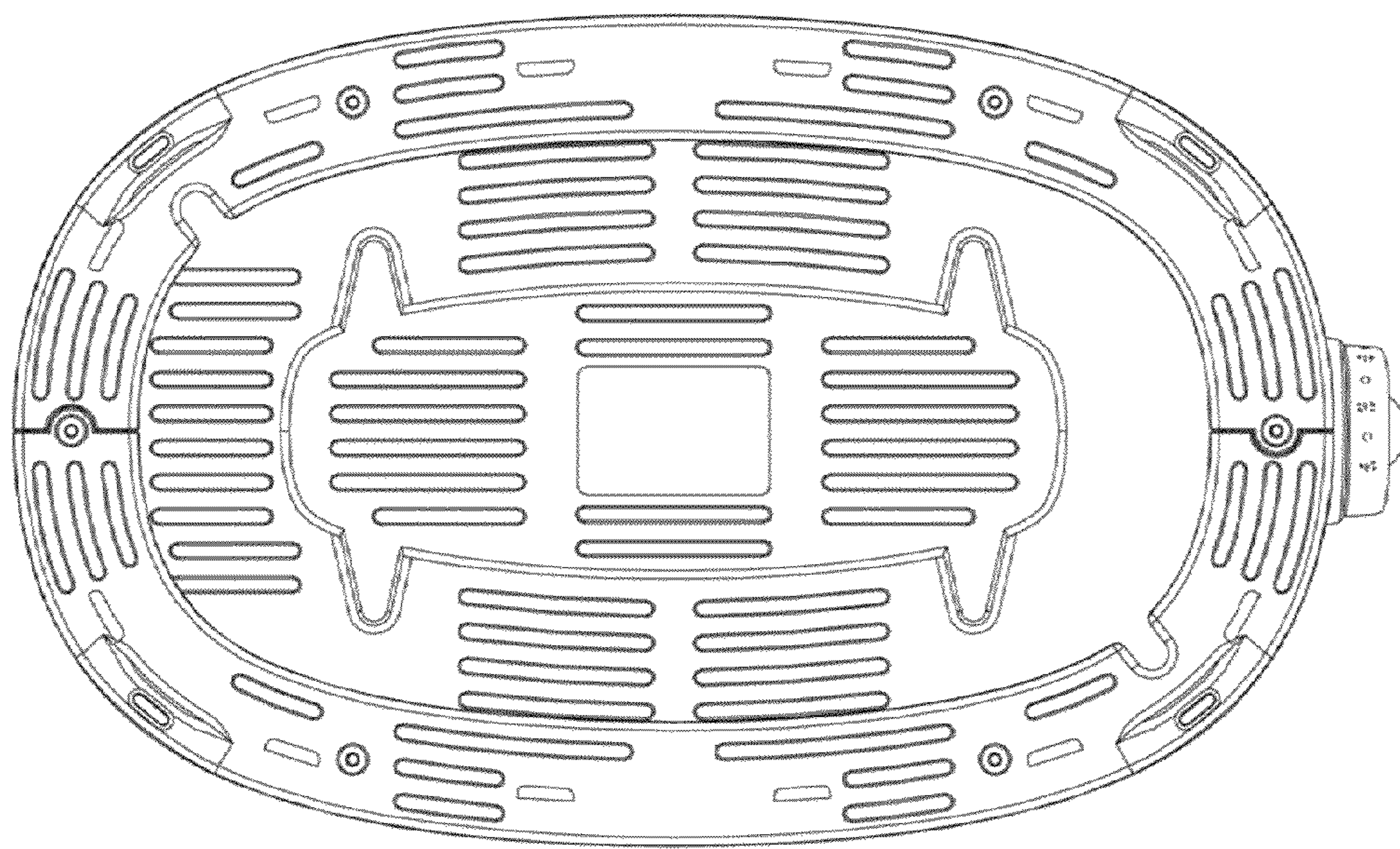


FIG. 7



FIG. 8



FIG. 9



FIG. 10



FIG. 11



FIG. 12

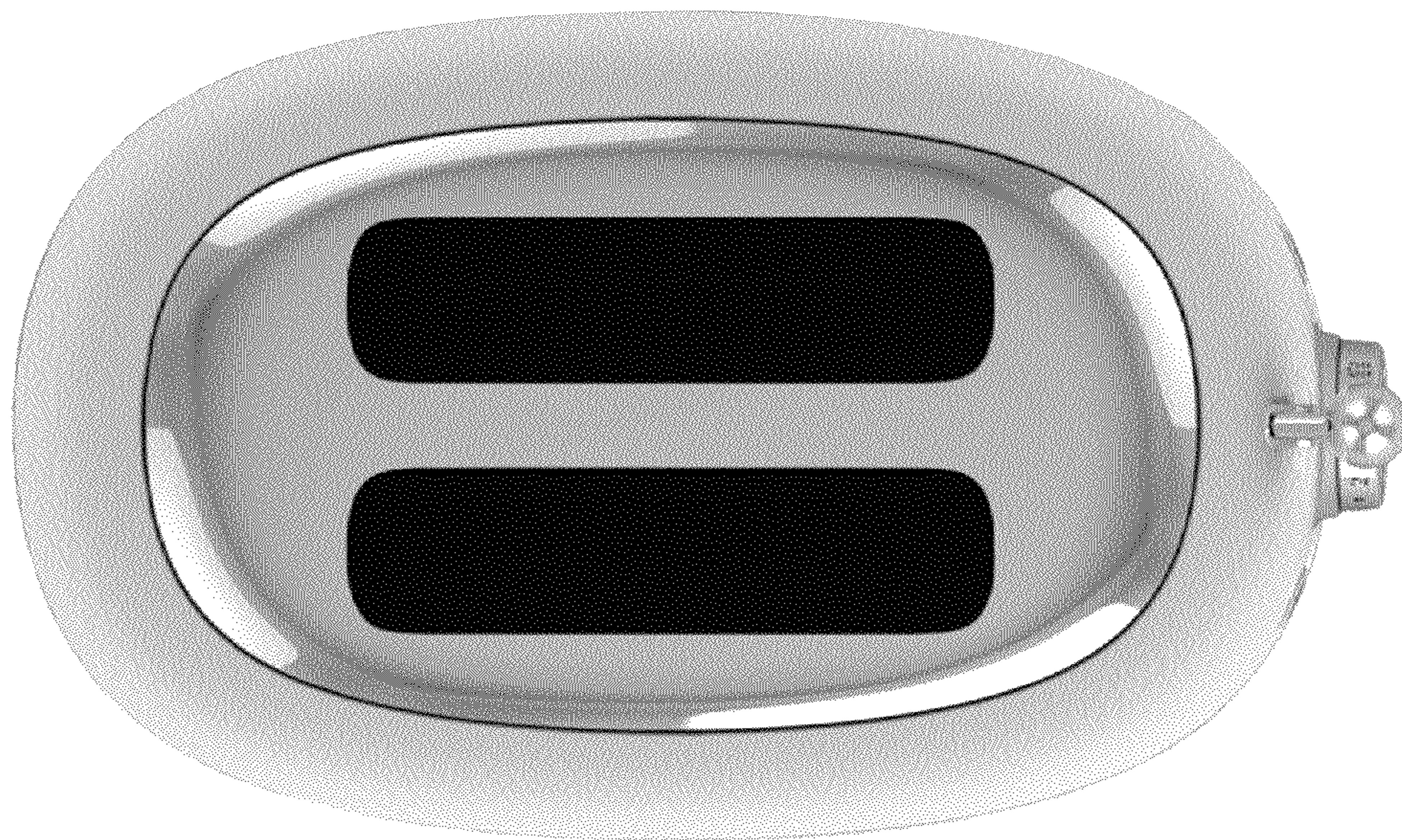


FIG. 13

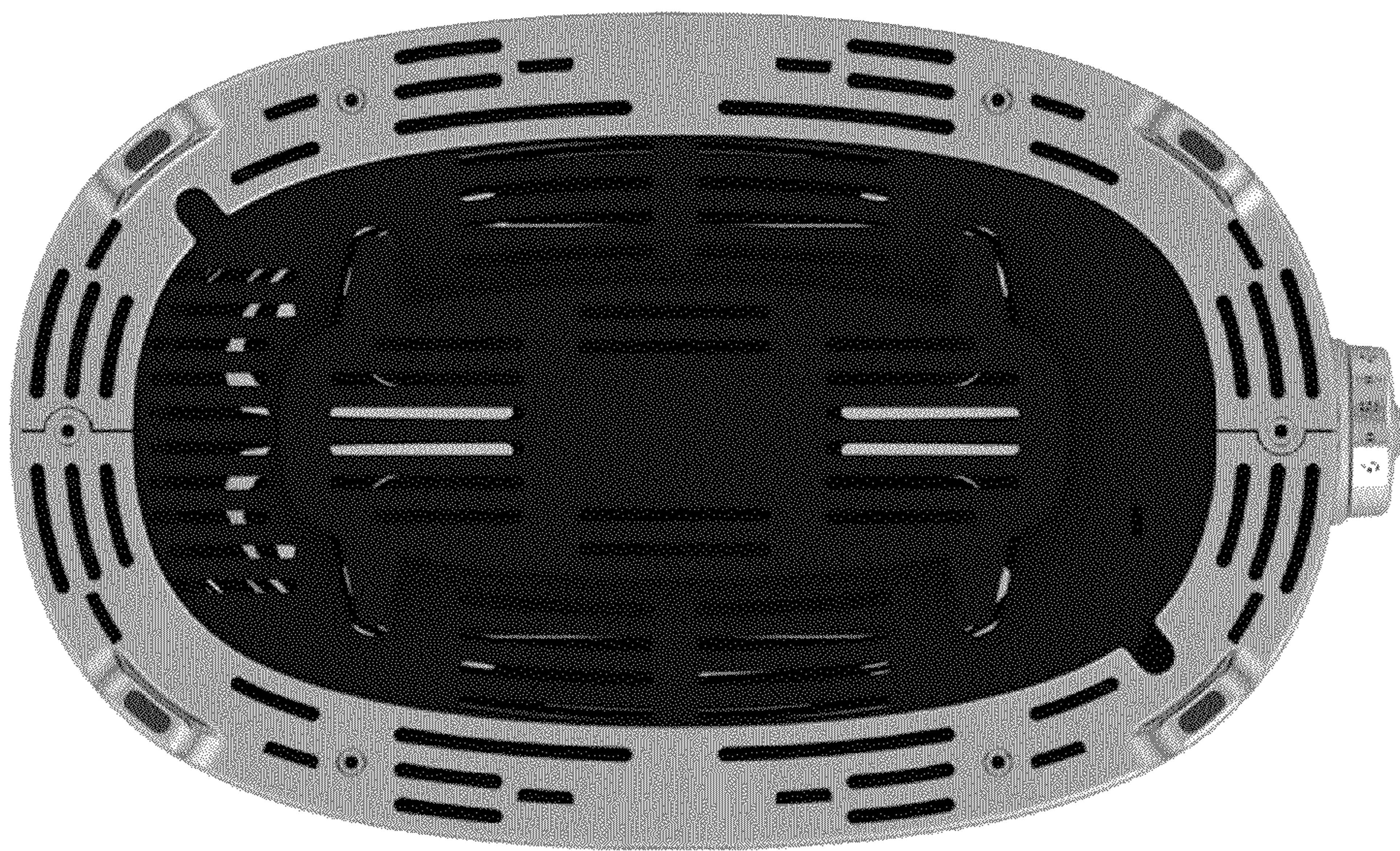


FIG. 14



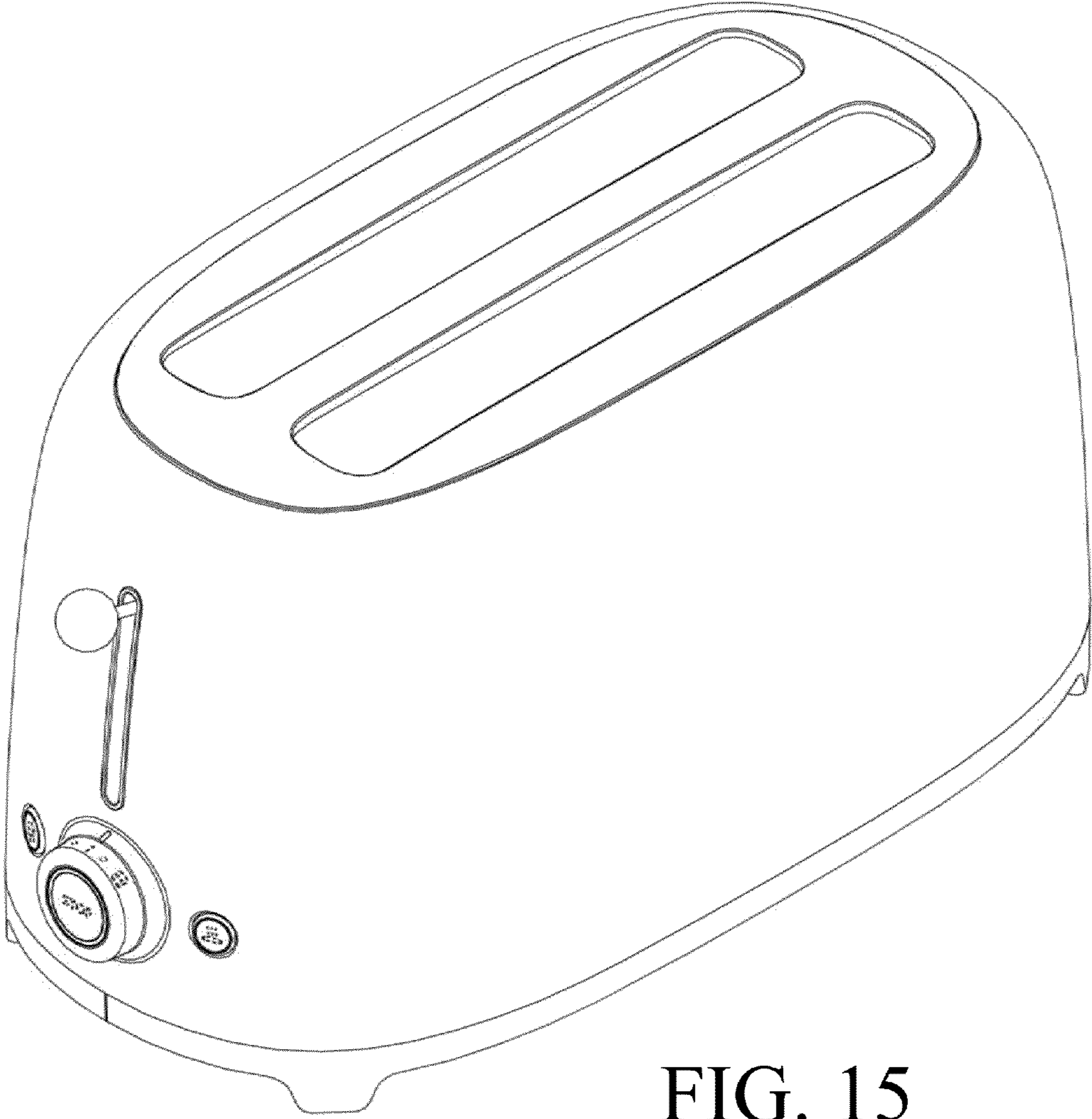


FIG. 15

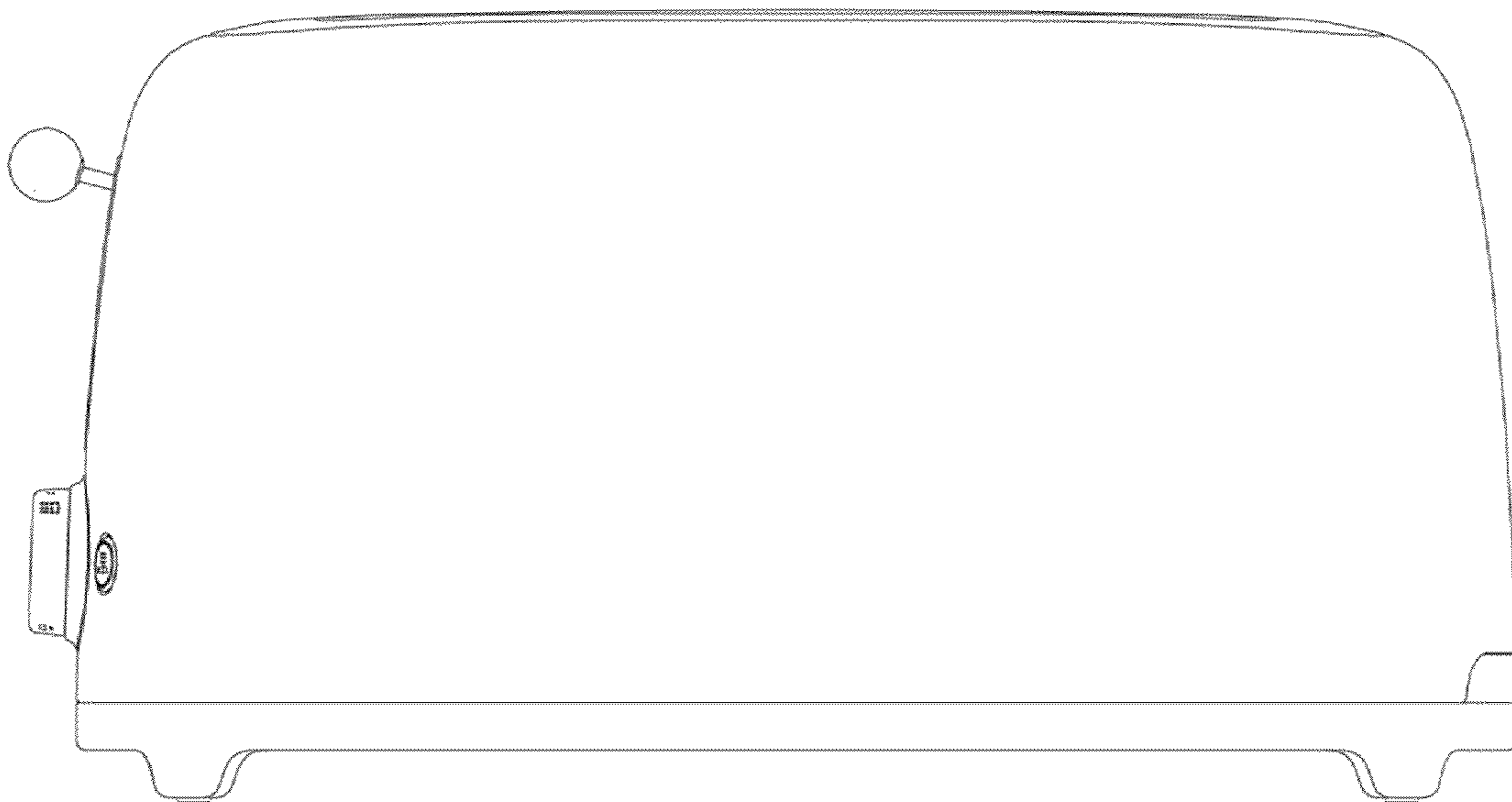


FIG. 16

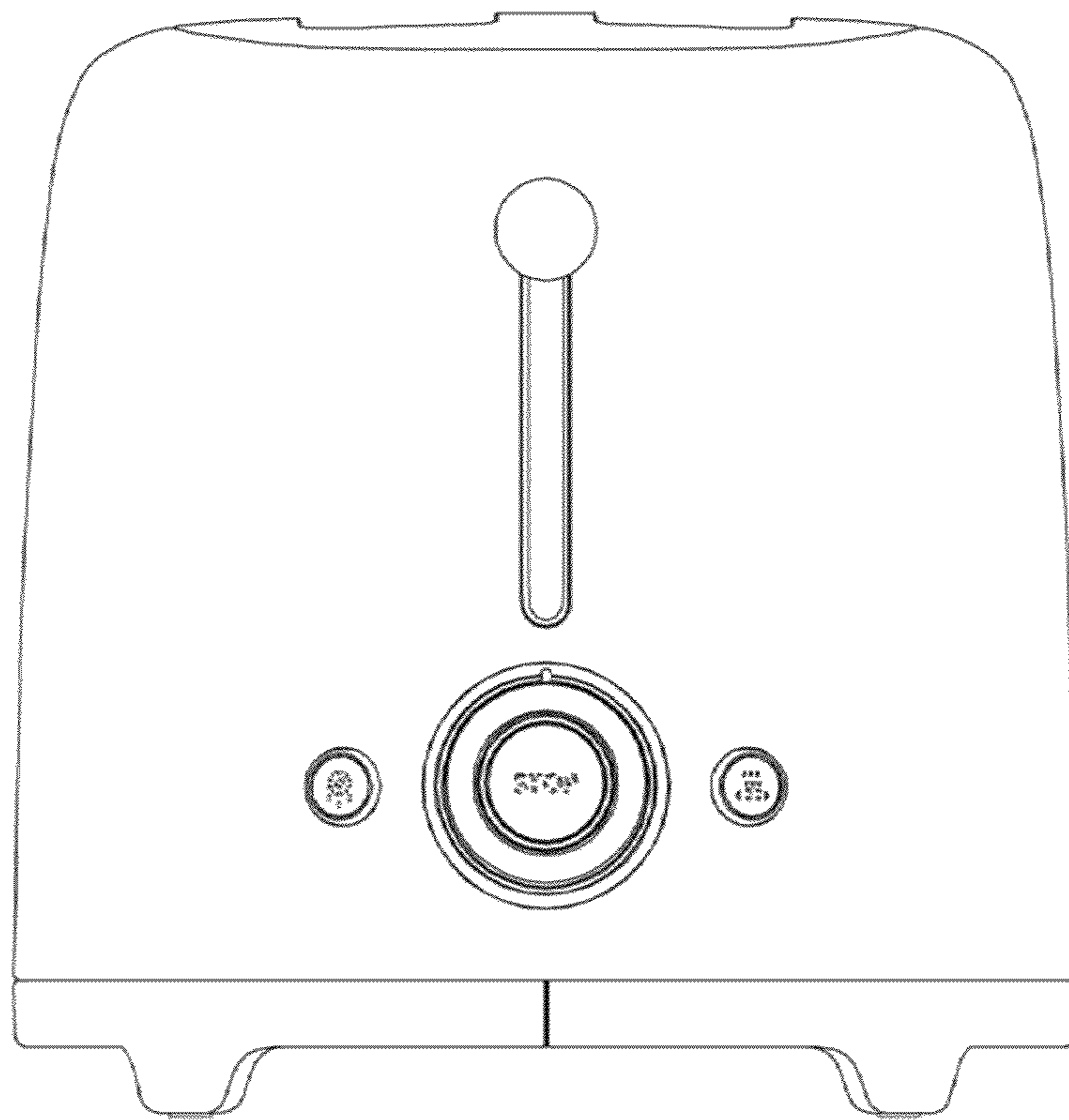


FIG. 17

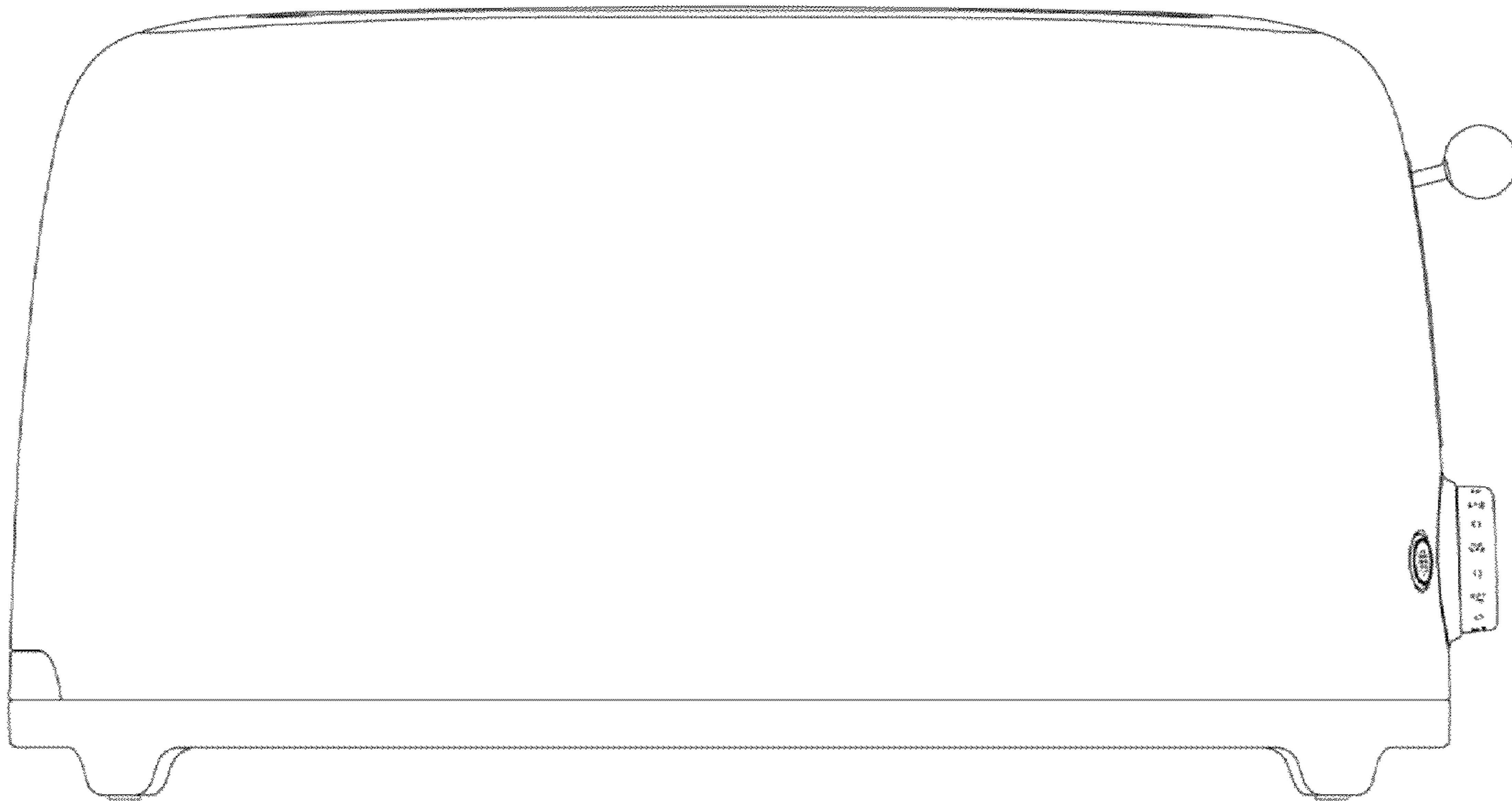


FIG. 18

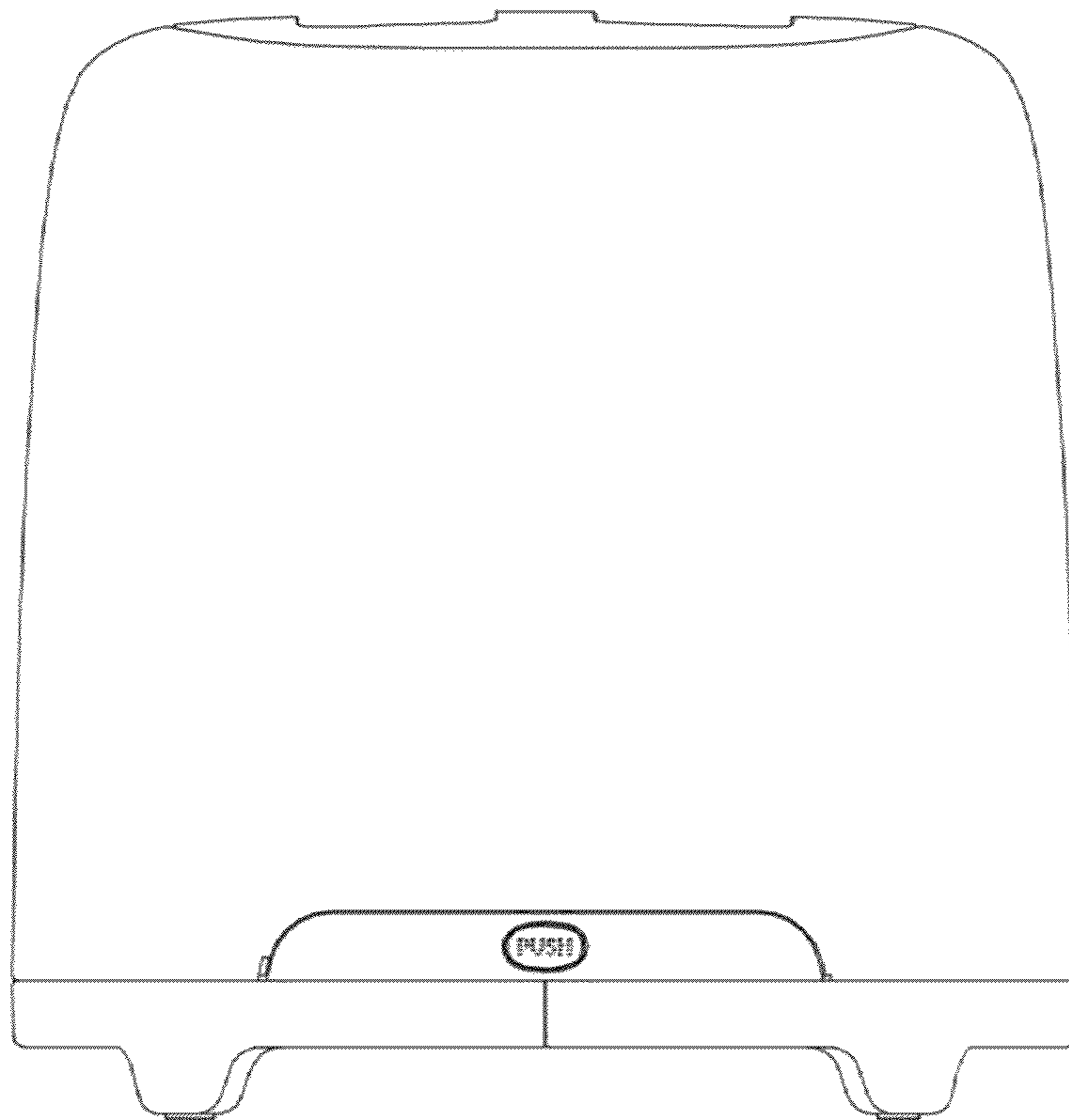


FIG. 19

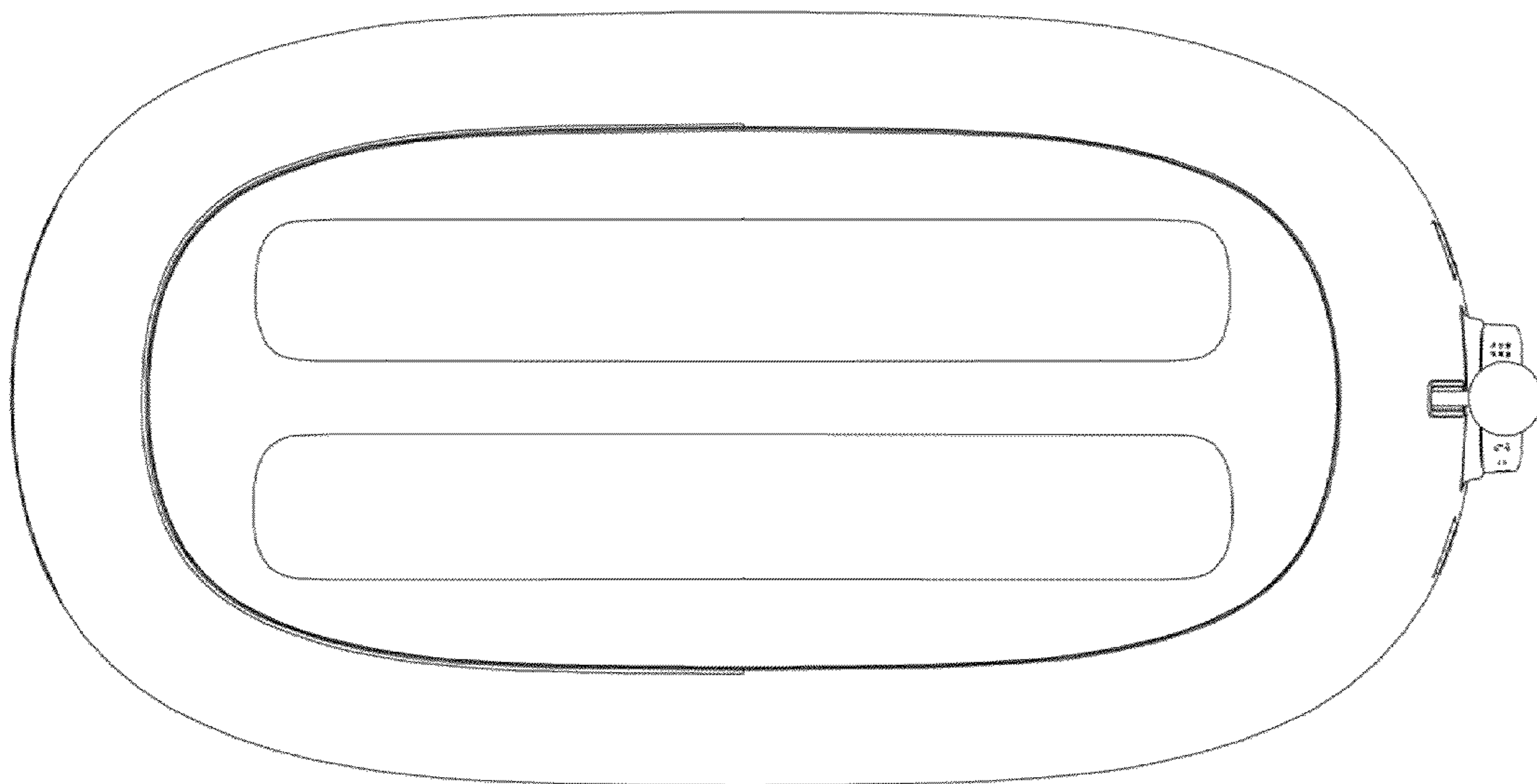


FIG. 20

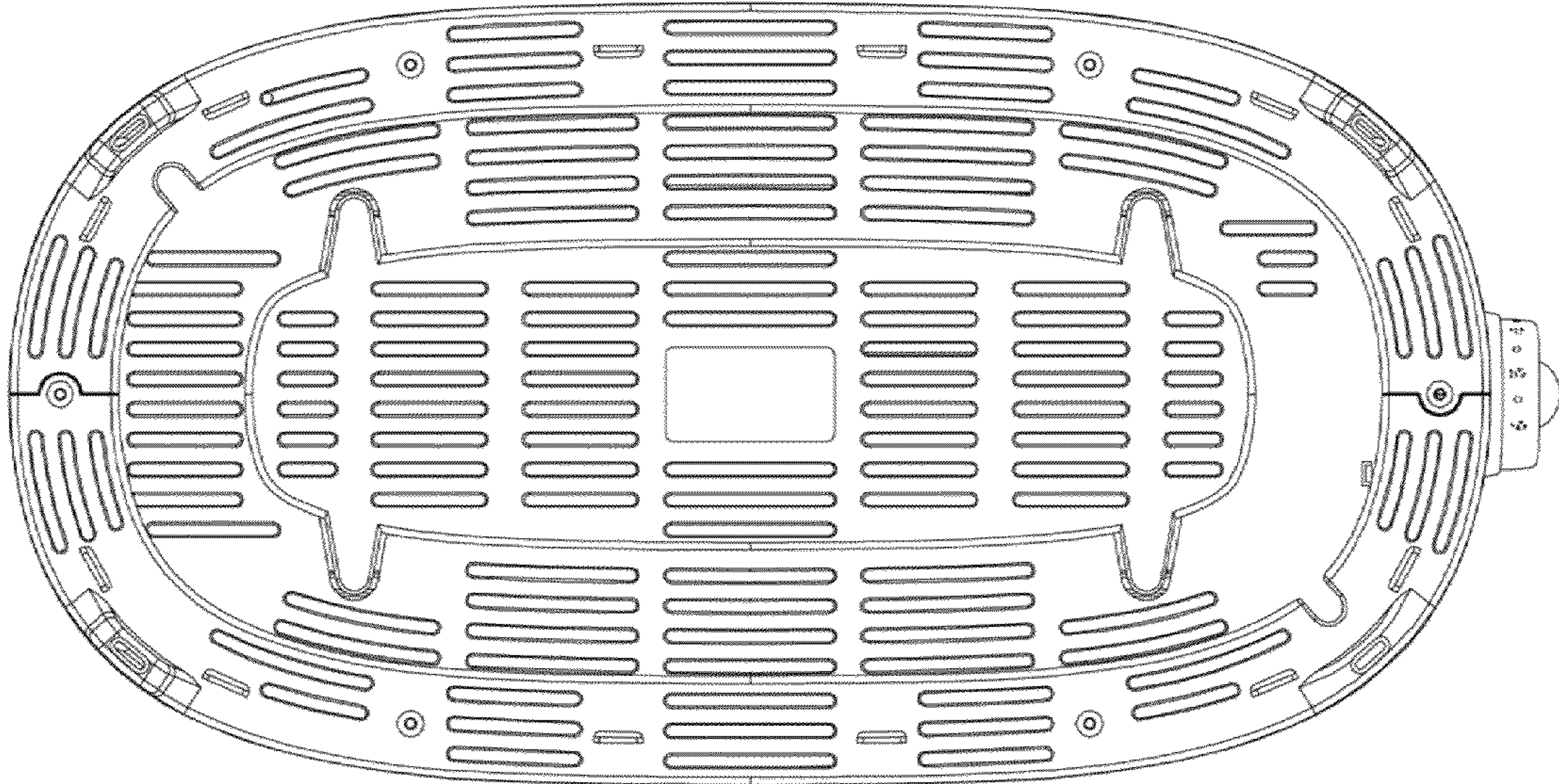


FIG. 21



FIG. 22





FIG. 23



FIG. 24



FIG. 25



FIG. 26

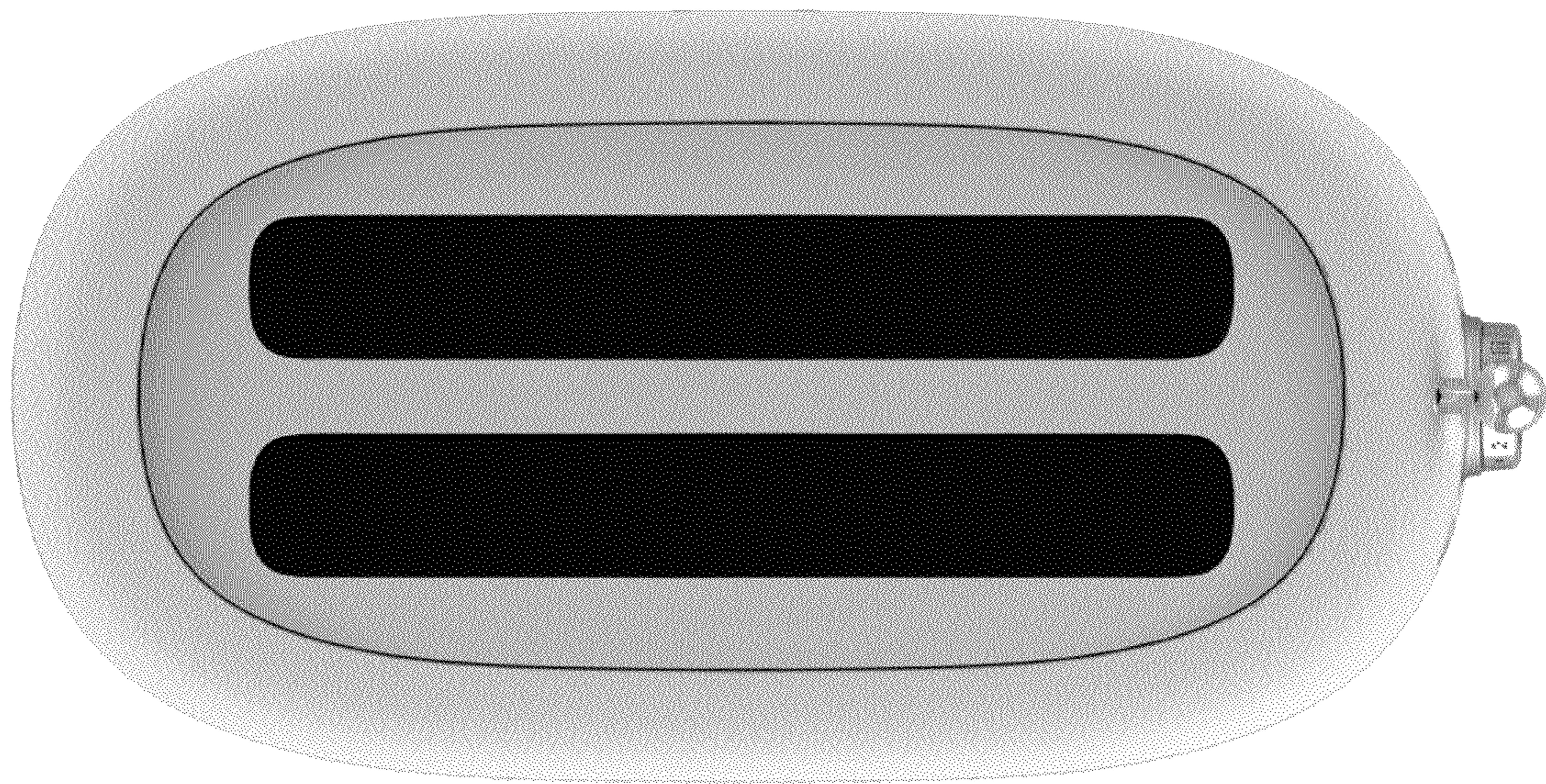


FIG. 27

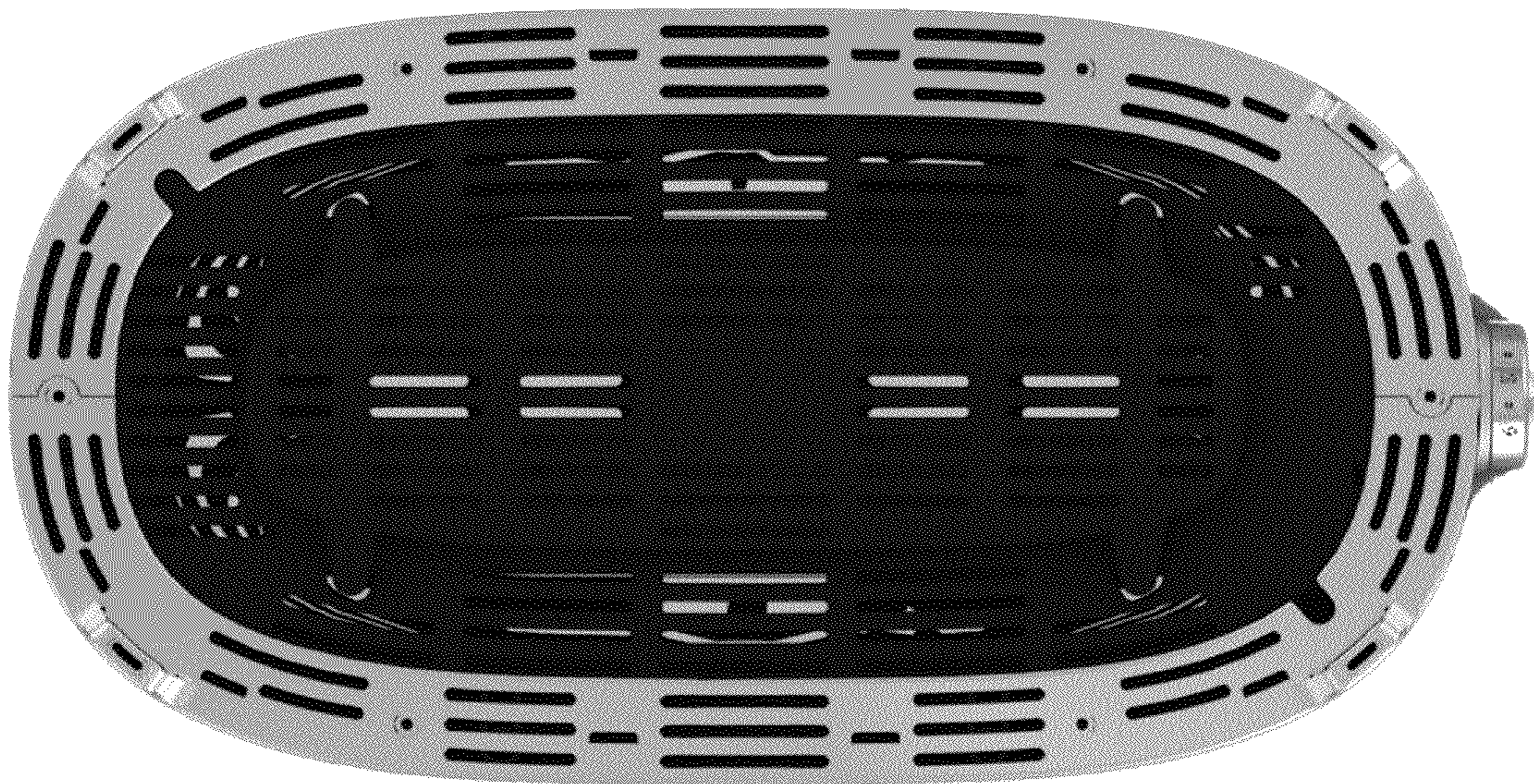


FIG. 28

UNITED STATES PATENT AND TRADEMARK OFFICE  
**CERTIFICATE OF CORRECTION**

PATENT NO. : D746,093 S  
APPLICATION NO. : 29/487793  
DATED : December 29, 2015  
INVENTOR(S) : Bazzicalupo et al.

Page 1 of 1

It is certified that error appears in the above-identified patent and that said Letters Patent is hereby corrected as shown below:

On the Title Page

At (71), "Applicants:", please replace "Matteo" with "Leopoldo"

At (72), "Inventors:", please replace "Matteo" with "Leopoldo"

Signed and Sealed this  
Twelfth Day of April, 2022



Drew Hirshfeld  
*Performing the Functions and Duties of the  
Under Secretary of Commerce for Intellectual Property and  
Director of the United States Patent and Trademark Office*