



US00D746091S

(12) **United States Design Patent**  
**Chen**

(10) **Patent No.:** **US D746,091 S**

(45) **Date of Patent:** **\*\* Dec. 29, 2015**

(54) **BABY BASSINET ROCKING CRADLE**

(71) Applicant: **Ting-Yu Chen**, Tainan (TW)

(72) Inventor: **Ting-Yu Chen**, Tainan (TW)

(\*\*) Term: **14 Years**

(21) Appl. No.: **29/483,886**

(22) Filed: **Mar. 4, 2014**

(51) **LOC (10) Cl.** ..... **06-06**

(52) **U.S. Cl.**  
USPC ..... **D6/715; D6/385; D6/718**

(58) **Field of Classification Search**  
USPC ..... D6/385, 386, 348, 390, 708.19, 708.16,  
D6/715

CPC ..... A47D 9/02; A47D 13/10; A47C 3/029;  
A47C 3/02

See application file for complete search history.

(56) **References Cited**

**U.S. PATENT DOCUMENTS**

D429,585 S \* 8/2000 Huang ..... D6/718.26  
6,416,123 B1 \* 7/2002 Bell ..... 297/133

6,679,779 B2 \* 1/2004 Tai et al. .... 472/95  
7,100,975 B1 \* 9/2006 Zheng ..... 297/32  
2011/0018314 A1 \* 1/2011 Isaacson ..... 297/59

\* cited by examiner

*Primary Examiner* — Janice Seeger

(74) *Attorney, Agent, or Firm* — Rosenberg, Klein & Lee

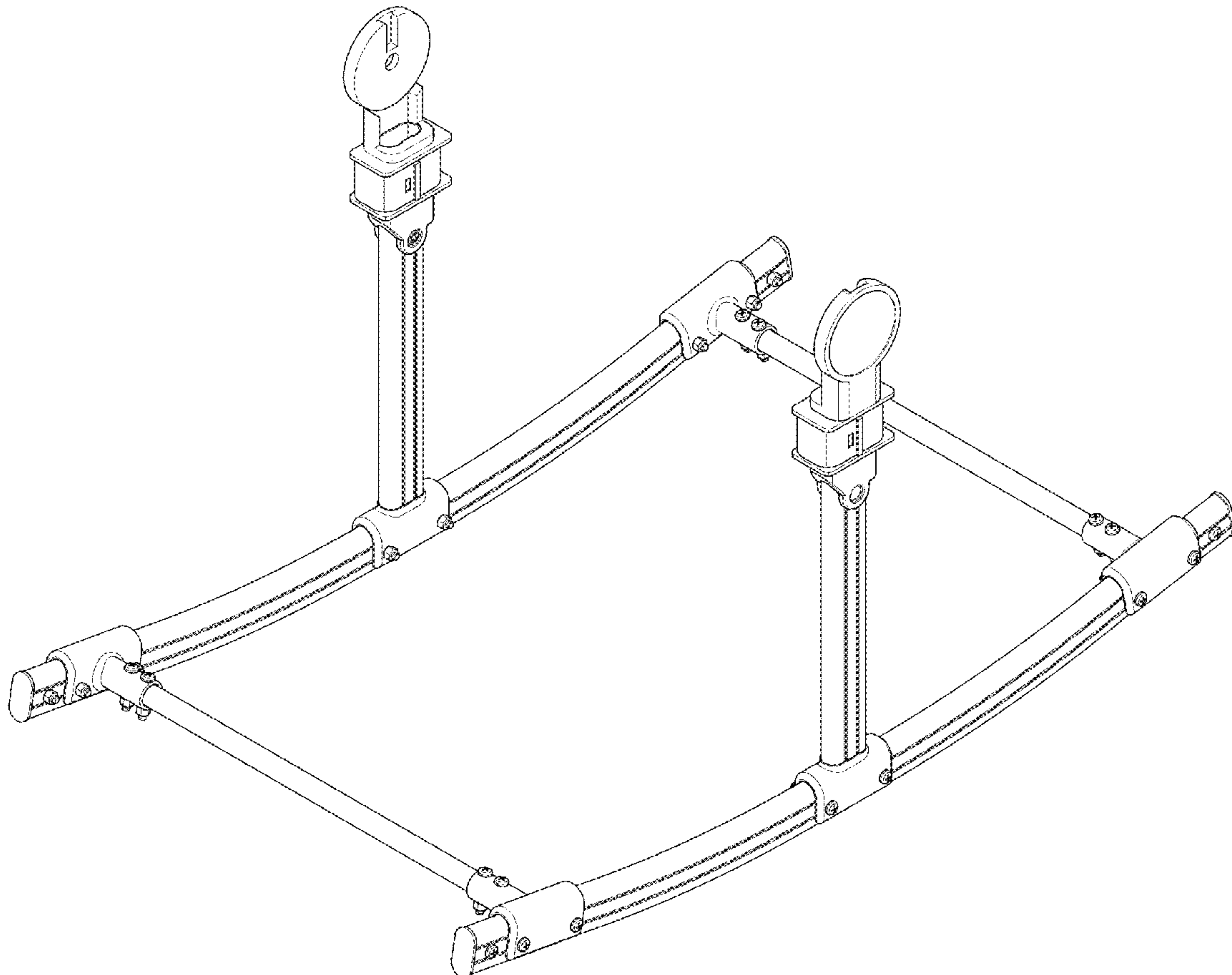
(57) **CLAIM**

The ornamental design for a baby bassinet rocking cradle, as shown and described.

**DESCRIPTION**

FIG. 1 is a perspective view of the baby bassinet rocking cradle showing my new design;  
FIG. 2 is a front elevational view thereof;  
FIG. 3 is a rear front elevational view thereof;  
FIG. 4 is a left side elevational view thereof;  
FIG. 5 is a right side elevational view thereof;  
FIG. 6 is a top plan view thereof; and,  
FIG. 7 is a bottom plan view thereof.  
Any broken line illustration of environmental structure in the drawing is not part of the design.

**1 Claim, 7 Drawing Sheets**



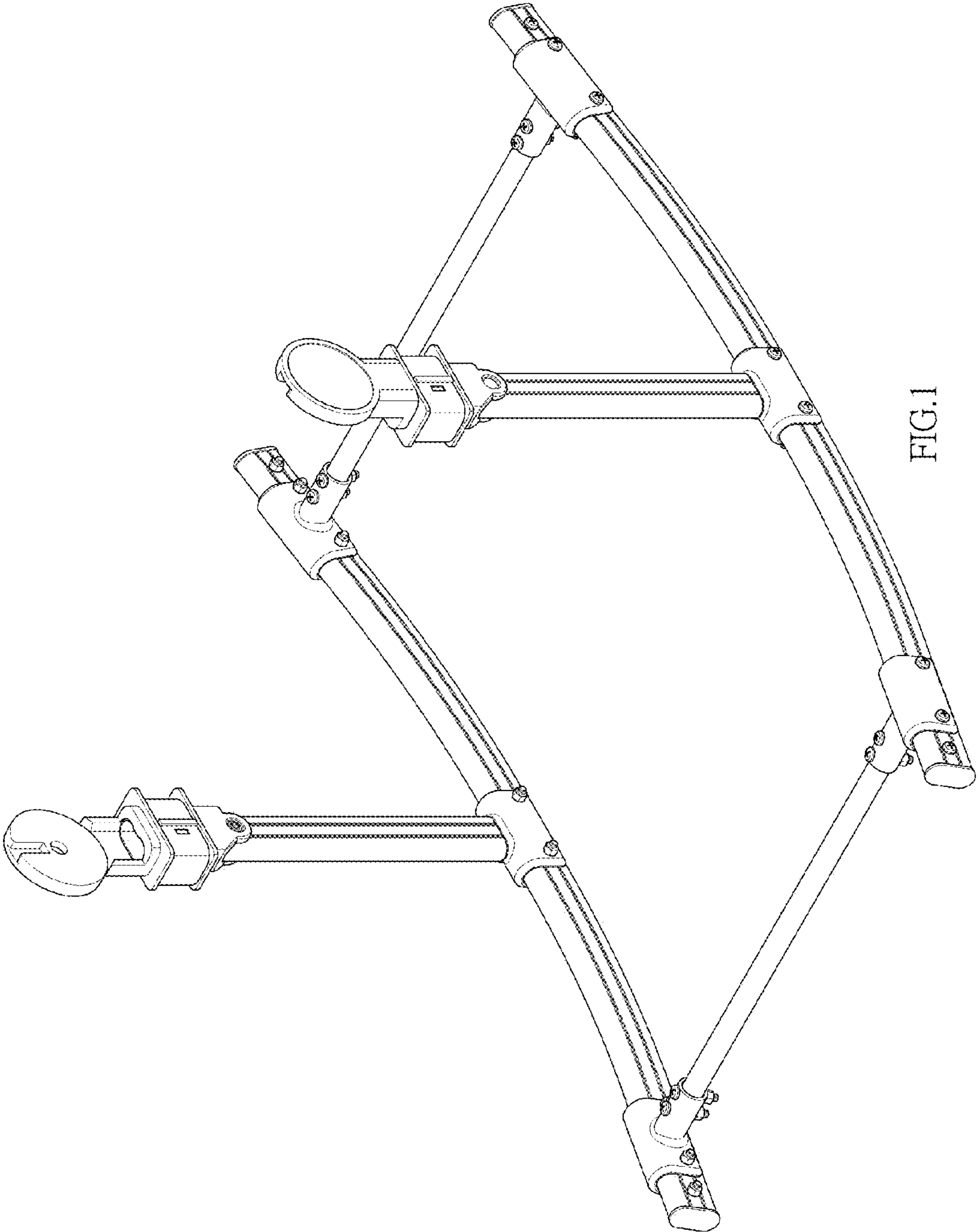


FIG. 1

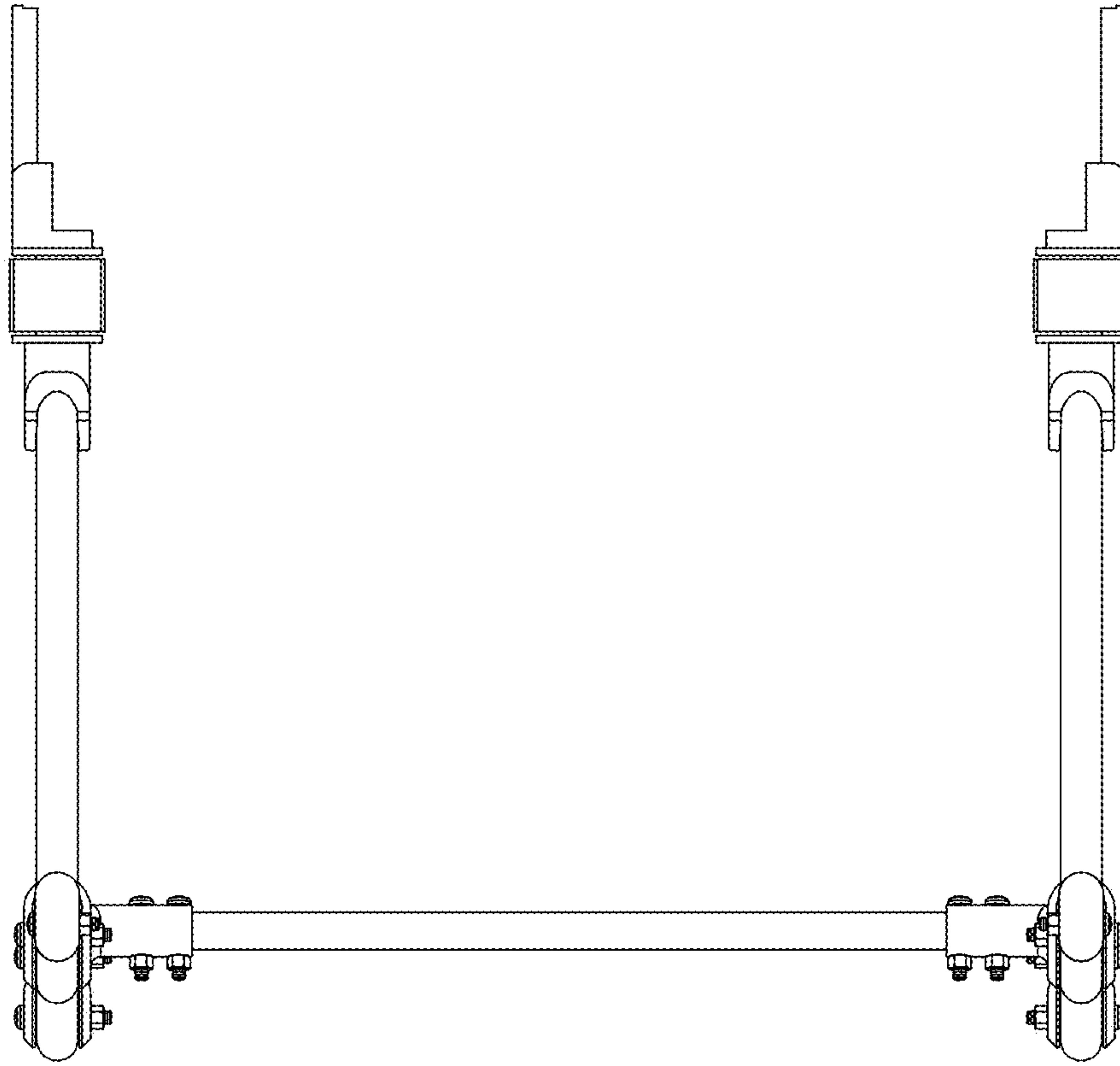


FIG.2

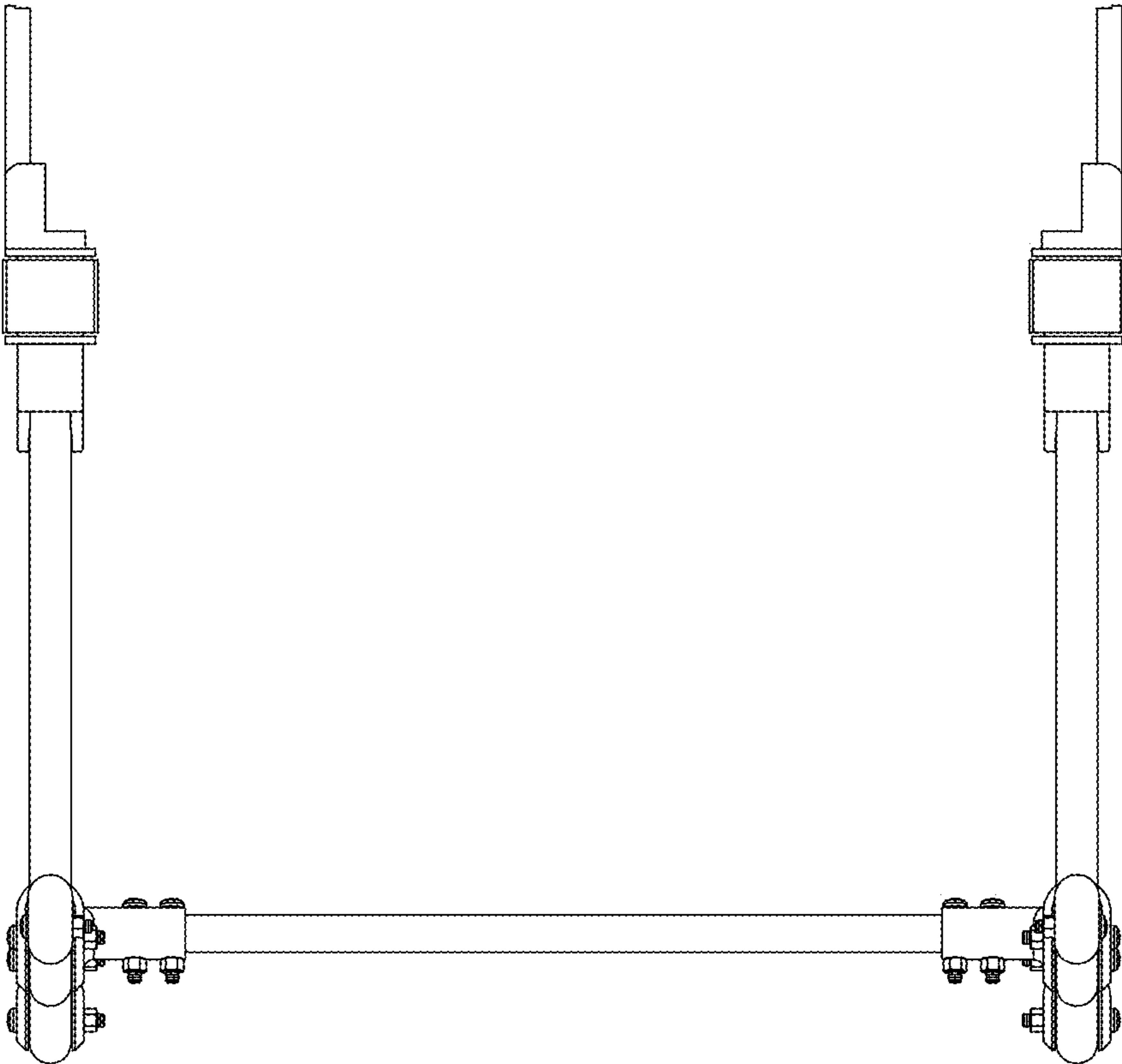


FIG.3

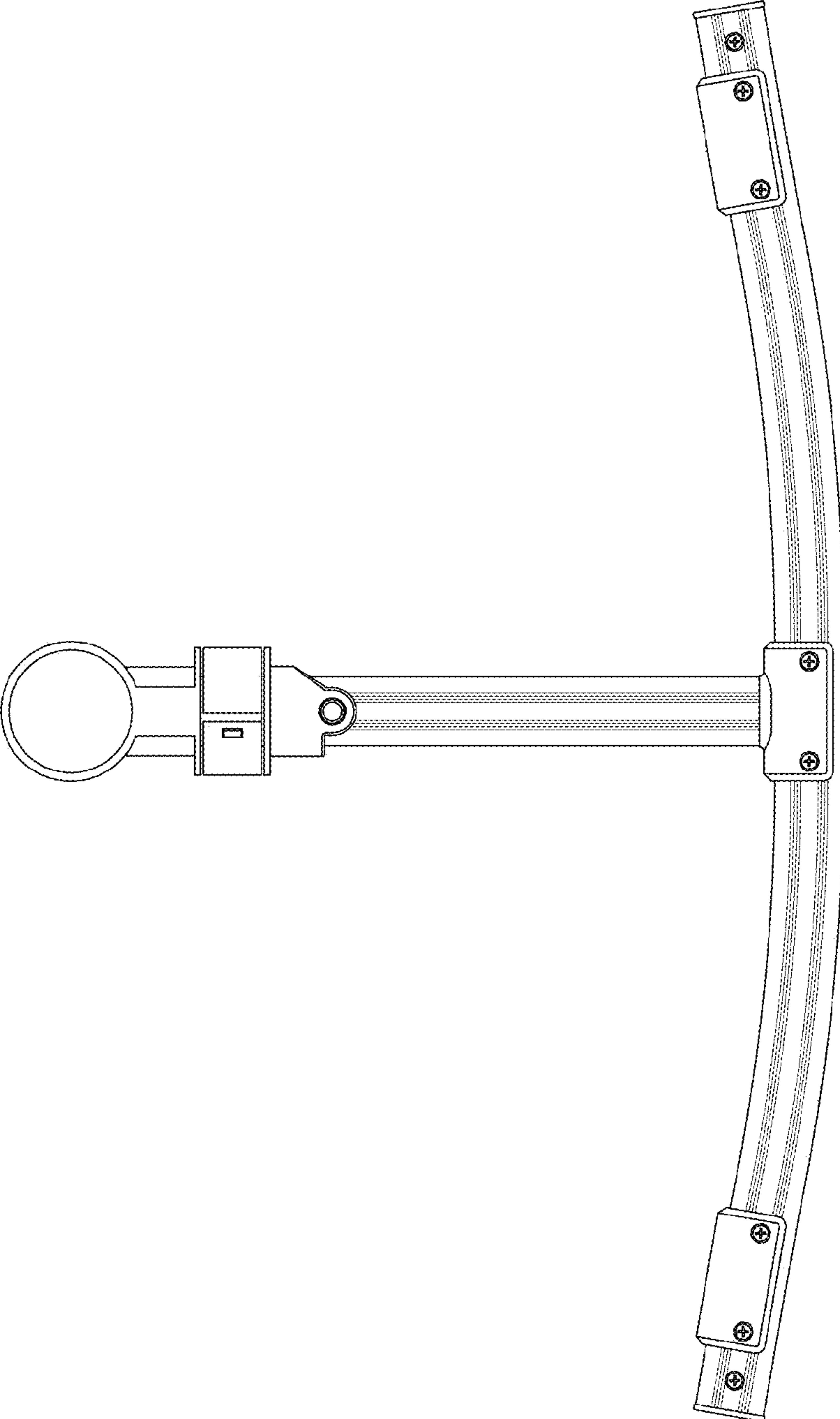


FIG.4

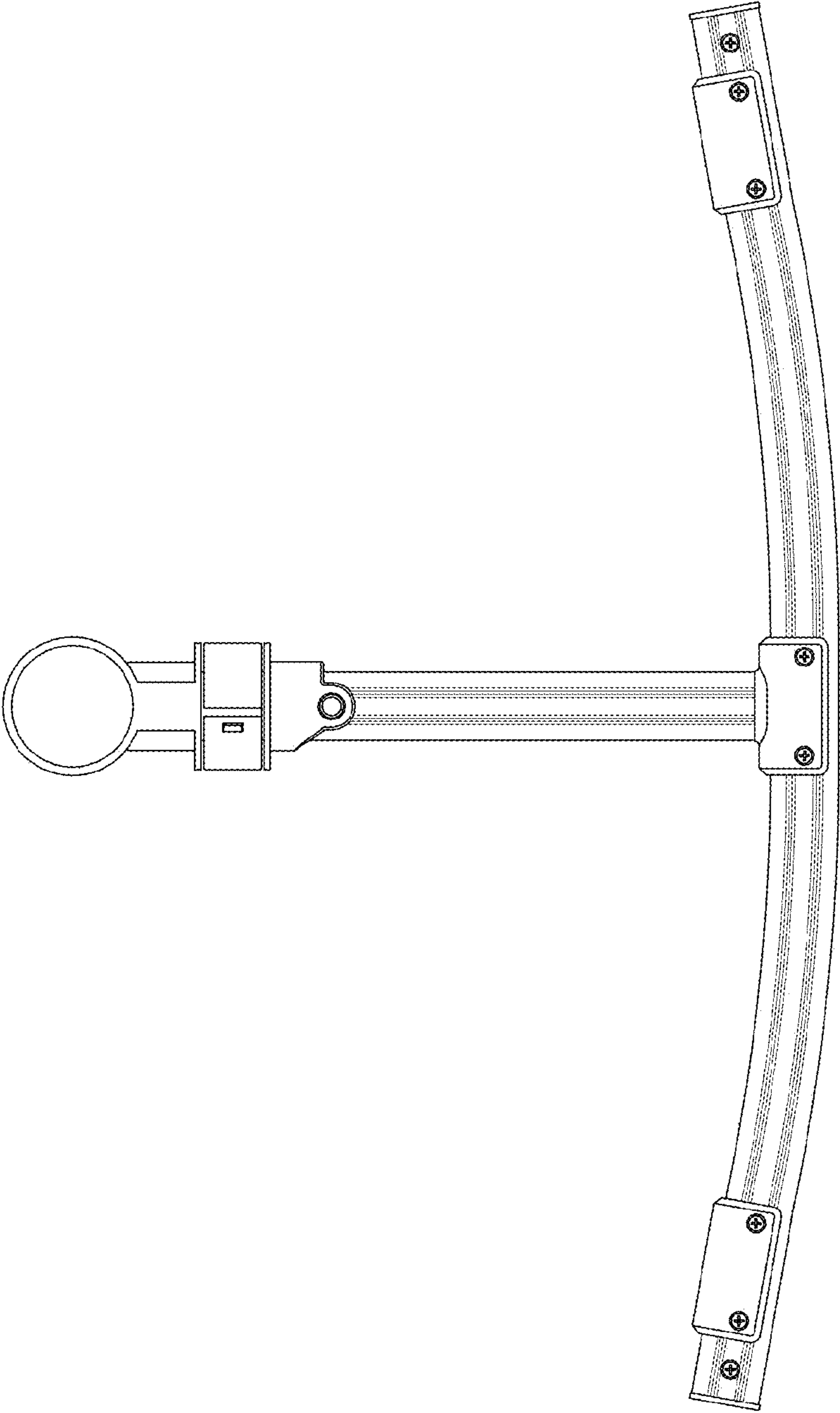


FIG.5

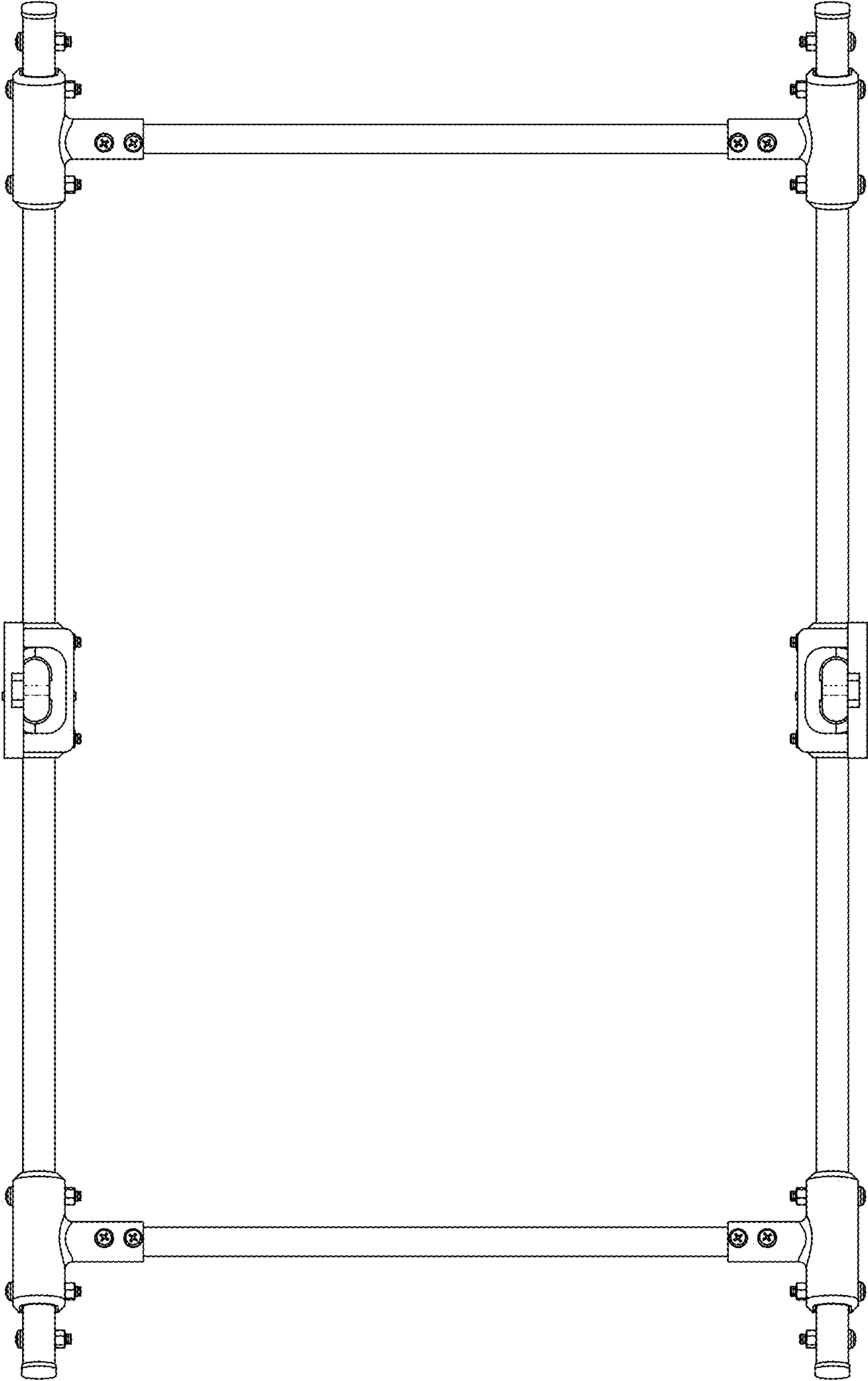


FIG.6



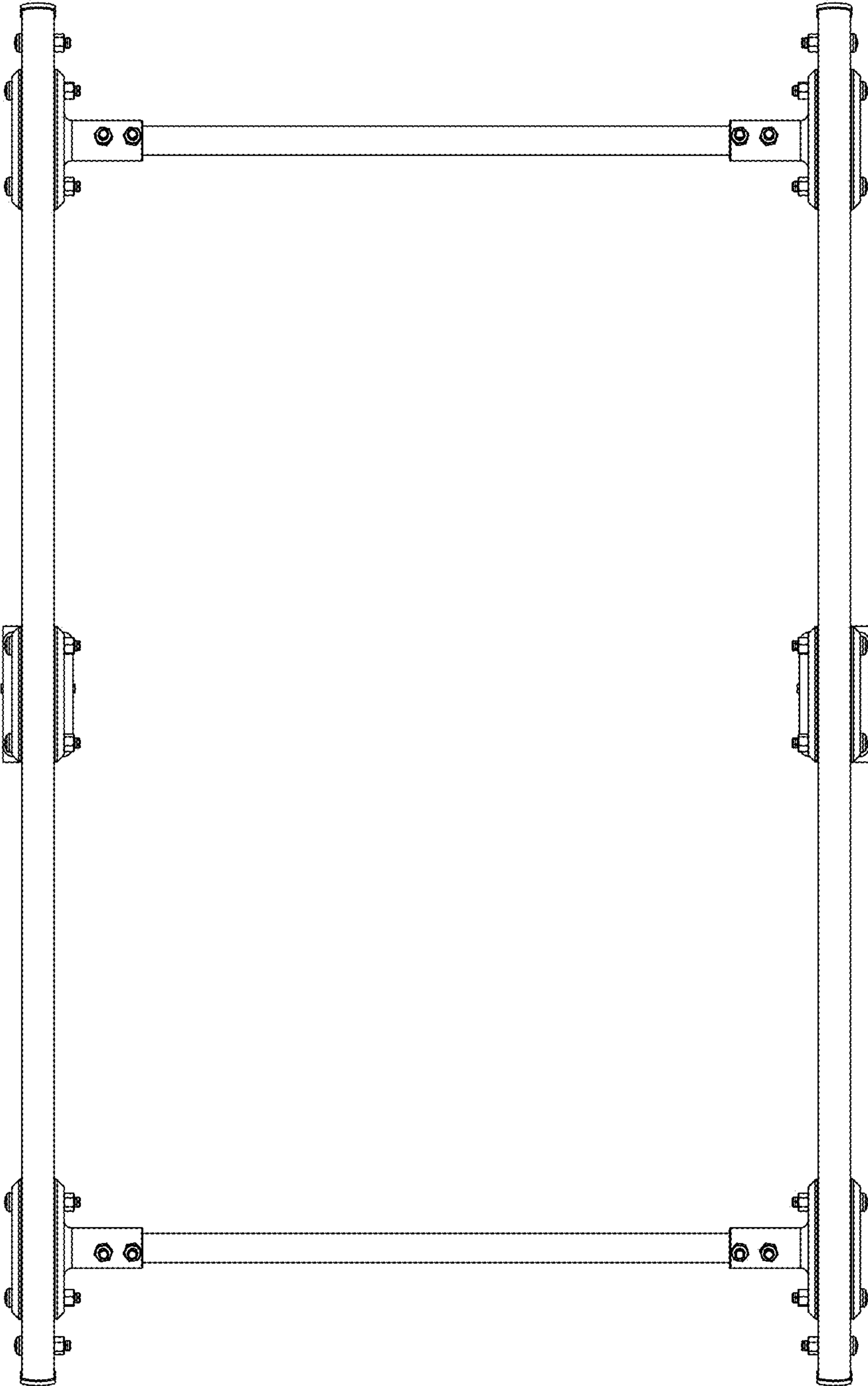


FIG.7