



US00D746087S

(12) **United States Design Patent**
Dart et al.

(10) **Patent No.:** **US D746,087 S**

(45) **Date of Patent:** **** Dec. 29, 2015**

(54) **ADJUSTABLE SHELF**

(71) Applicants: **Dedee Dart**, Mapleton, UT (US); **Phillip Dietz**, St. George, UT (US); **Bart Storrs**, Highland, UT (US); **Douglas J. Fowkes**, Springville, UT (US); **Zachary Snyder**, Hawthorne, NY (US)

(72) Inventors: **Dedee Dart**, Mapleton, UT (US); **Phillip Dietz**, St. George, UT (US); **Bart Storrs**, Highland, UT (US); **Douglas J. Fowkes**, Springville, UT (US); **Zachary Snyder**, Hawthorne, NY (US)

(73) Assignee: **Dedee Dart**, Mapleton, UT (US)

(**) Term: **14 Years**

(21) Appl. No.: **29/483,660**

(22) Filed: **Feb. 28, 2014**

(51) **LOC (10) Cl.** **06-06**

(52) **U.S. Cl.**
USPC **D6/678.1**

(58) **Field of Classification Search**
USPC D6/382–383, 396–397, 406.1–406.5,
D6/439, 445, 448–450, 476, 509–511, 654,
D6/654.1, 685, 704, 705, 705.1, 707;
211/119.003, 134–135, 148, 153, 189;
D19/90–92, 22; 108/108, 111
CPC A47B 57/04; A47B 57/12
See application file for complete search history.

(56) **References Cited**

U.S. PATENT DOCUMENTS

774,117 A	11/1904	Tandy	
905,737 A	12/1908	McCombe	
1,043,950 A	11/1912	Martin	
1,747,628 A	2/1930	Hagel	
2,023,901 A *	12/1935	Rhodes	4/254
2,122,336 A	6/1938	Berry	
2,216,621 A	10/1940	Mackinga	
2,347,821 A	5/1944	Goldner	
2,427,767 A	9/1947	Drake	

2,520,490 A 8/1950 Boward
2,643,931 A 6/1953 Anderson
2,657,810 A 11/1953 Garrick
3,441,146 A 4/1969 Summers

(Continued)

Primary Examiner — Kelley Donnelly

(74) *Attorney, Agent, or Firm* — Morris O'Bryant Compagni, PC

(57)

CLAIM

The ornamental design for the adjustable shelf, as shown and described.

DESCRIPTION

FIG. 1 is a perspective front side view of a first embodiment of an adjustable shelf of the present invention.

FIG. 2 is a top side view of the first embodiment of the adjustable shelf.

FIG. 3 is a bottom side view of the first embodiment of the adjustable shelf.

FIG. 4 is a back side view of the first embodiment of the adjustable shelf.

FIG. 5 is a front side view of the first embodiment of the adjustable shelf.

FIG. 6 is a left side view of the first embodiment of the adjustable shelf.

FIG. 7 is a right side view of the first embodiment of the adjustable shelf.

FIG. 8 is a perspective front side view of a second embodiment of the adjustable shelf of the present invention.

FIG. 9 is a top side view of the second embodiment of the adjustable shelf.

FIG. 10 is a bottom side view of the second embodiment of the adjustable shelf.

FIG. 11 is a back side view of the second embodiment of the adjustable shelf.

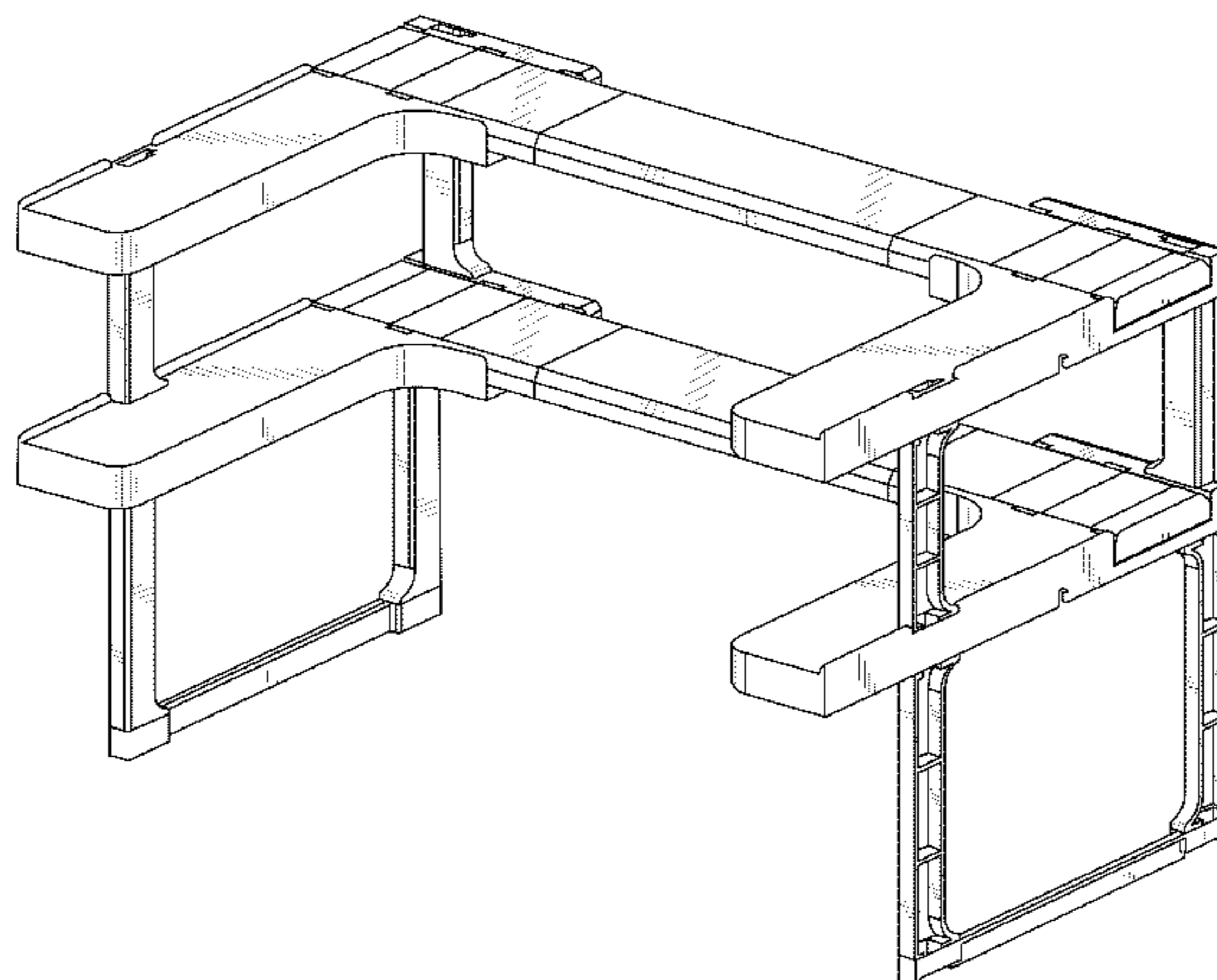
FIG. 12 is a front side view of the second embodiment of the adjustable shelf.

FIG. 13 is a left side view of the second embodiment of the adjustable shelf; and,

FIG. 14 is a right side view of the second embodiment of the adjustable shelf.

Portions in the drawings shown in dashed lines do not form part of the claimed invention.

1 Claim, 14 Drawing Sheets



(56)

References Cited

U.S. PATENT DOCUMENTS

3,919,950 A 11/1975 Frazelle
 4,025,137 A 5/1977 Wyler
 4,036,369 A 7/1977 Eisenberg
 4,155,312 A 5/1979 Thorkildson
 4,286,525 A 9/1981 Willmore
 4,469,231 A 9/1984 Hehn
 4,500,146 A 2/1985 Peterson
 4,713,949 A 12/1987 Wilcox
 4,760,800 A 8/1988 Hanson
 4,975,997 A 12/1990 Misiura
 D332,717 S 1/1993 Wolfe
 5,291,700 A 3/1994 Chew
 5,415,472 A 5/1995 Brise
 5,478,145 A 12/1995 Kamachi
 D372,822 S 8/1996 O'Brien
 5,564,962 A 10/1996 Navarrete
 D393,316 S 4/1998 Simon
 D398,458 S 9/1998 Martell
 5,964,360 A 10/1999 Hwang
 6,019,331 A * 2/2000 Hoogland et al. 248/250
 6,036,286 A 3/2000 Krumholz
 D423,840 S * 5/2000 Carville et al. D6/511
 D443,434 S 6/2001 Tinsley
 6,450,349 B2 9/2002 Lee
 D474,920 S 5/2003 Holt
 6,591,762 B1 7/2003 Haghayegh
 6,623,956 B1 9/2003 Cecchi

D510,821 S 10/2005 Madison
 D518,979 S 4/2006 Petitclerc
 7,204,569 B2 4/2007 Walburn
 7,237,686 B2 7/2007 Bertrand
 D609,500 S 2/2010 Fieldhouse
 D627,989 S * 11/2010 Geoffrey D6/464
 D629,222 S * 12/2010 Kay D6/349
 D629,627 S * 12/2010 Mylet D6/349
 D630,459 S 1/2011 Millspaugh
 7,987,799 B2 8/2011 Lange
 D652,222 S * 1/2012 Edwards D6/349
 8,316,486 B2 11/2012 Tipperreiter
 8,333,158 B2 12/2012 Wise
 D677,478 S * 3/2013 Edwards et al. D6/349
 D677,960 S 3/2013 Kullman
 D678,887 S 3/2013 Stravitz
 D691,404 S * 10/2013 Baum D6/705.7
 D696,540 S 12/2013 Dart et al.
 D698,163 S * 1/2014 Edwards D6/349
 D716,065 S * 10/2014 Hubbard, Jr. D6/349
 2001/0052505 A1 12/2001 Lee
 2004/0094143 A1 5/2004 Bartley
 2004/0159622 A1 8/2004 Craft
 2004/0164655 A1 8/2004 Wood
 2008/0053940 A1 3/2008 Whalen
 2009/0230070 A1 9/2009 Anderson
 2010/0264104 A1 10/2010 Winter
 2012/0037583 A1 2/2012 Wise
 2012/0180302 A1 7/2012 Lopez, Jr.
 2012/0223038 A1 9/2012 Bean

* cited by examiner

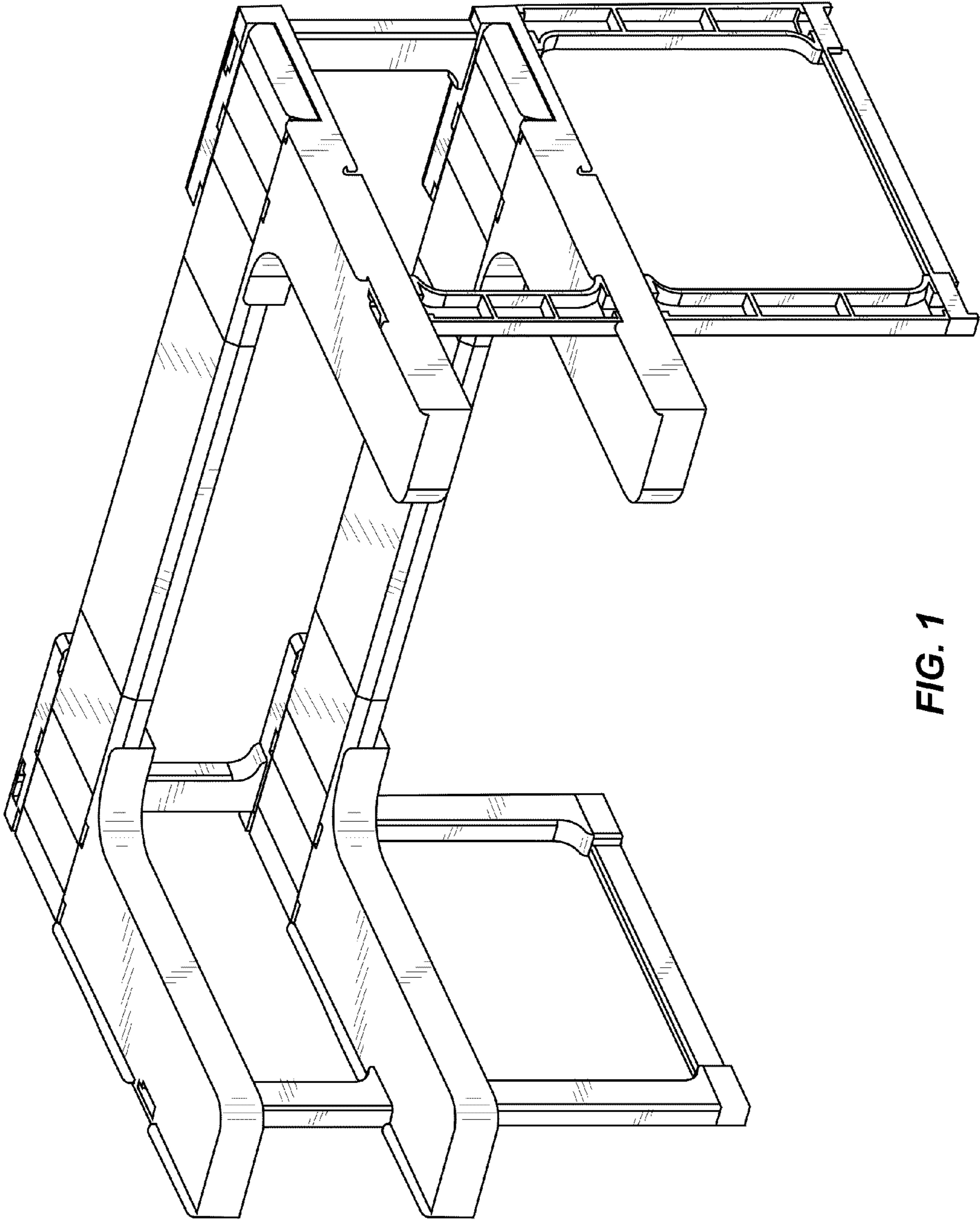


FIG. 1

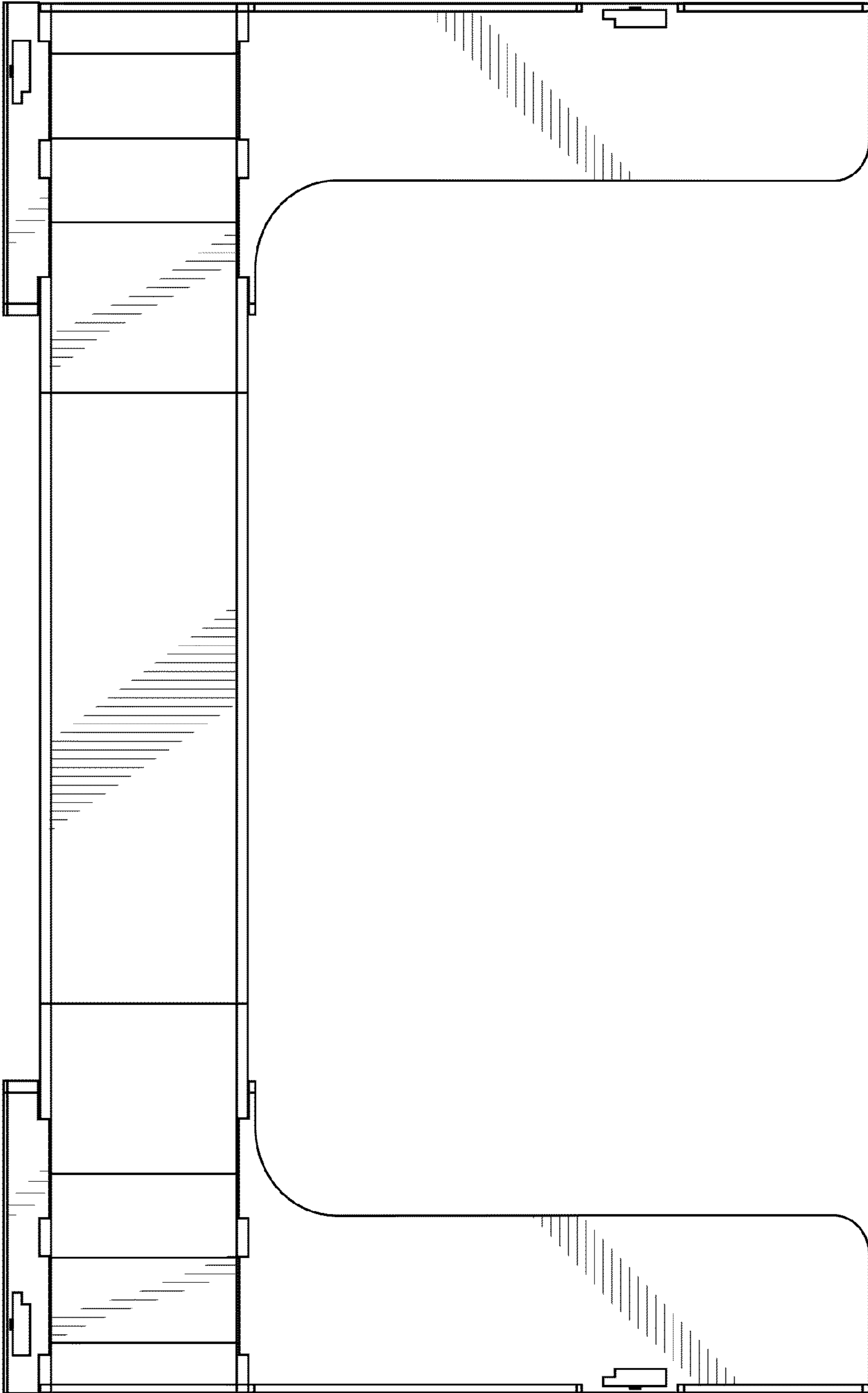


FIG. 2

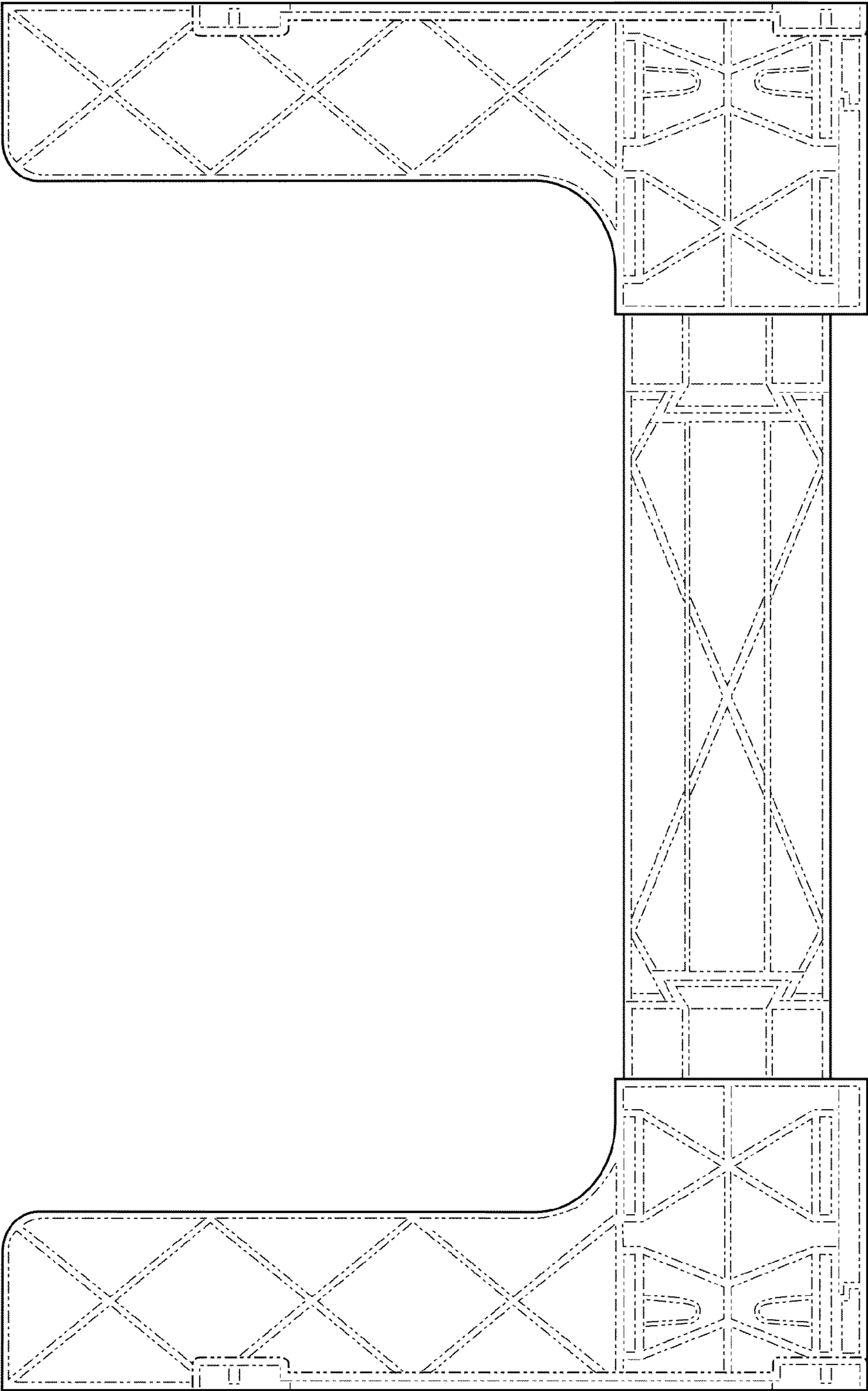


FIG. 3

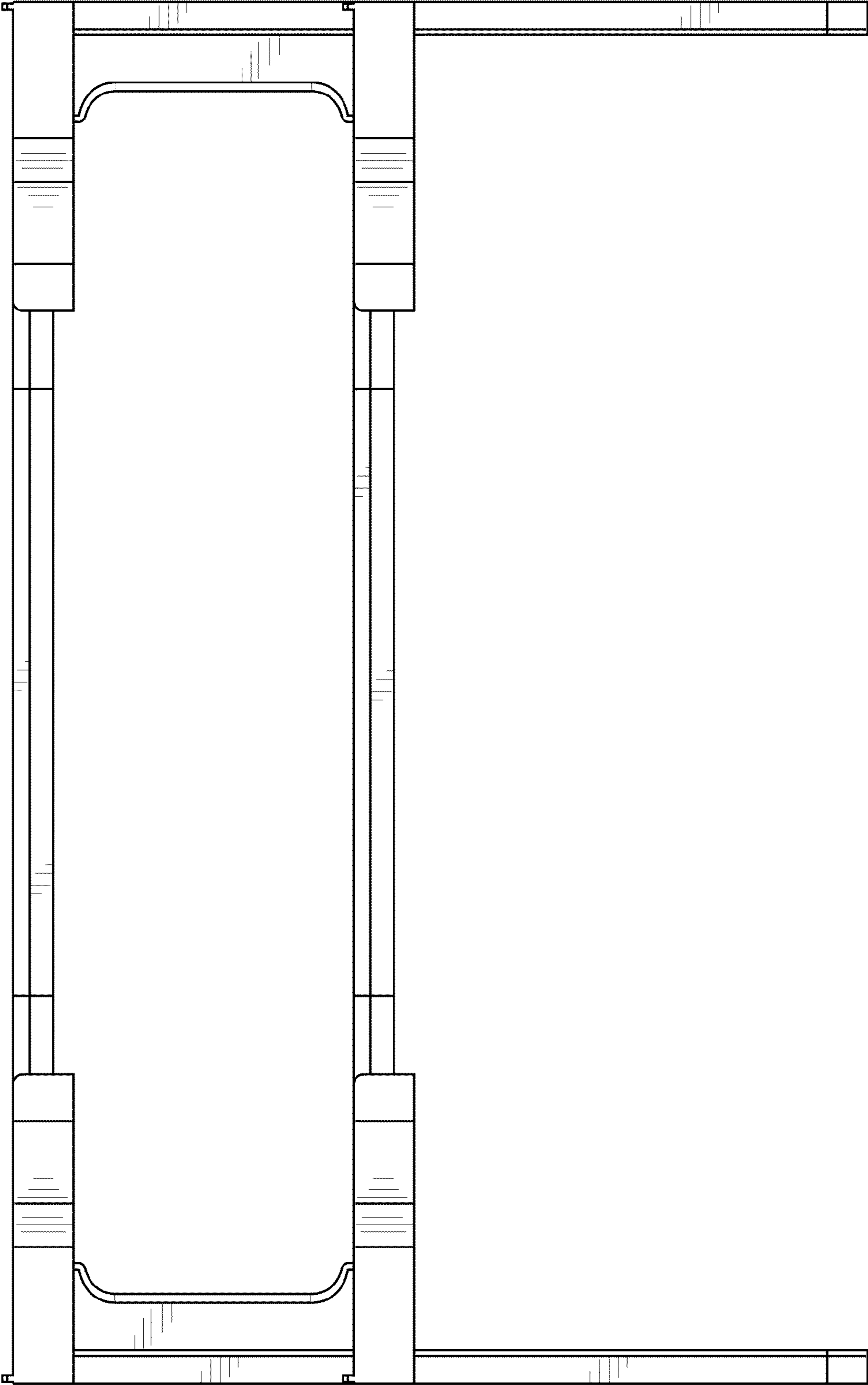


FIG. 4

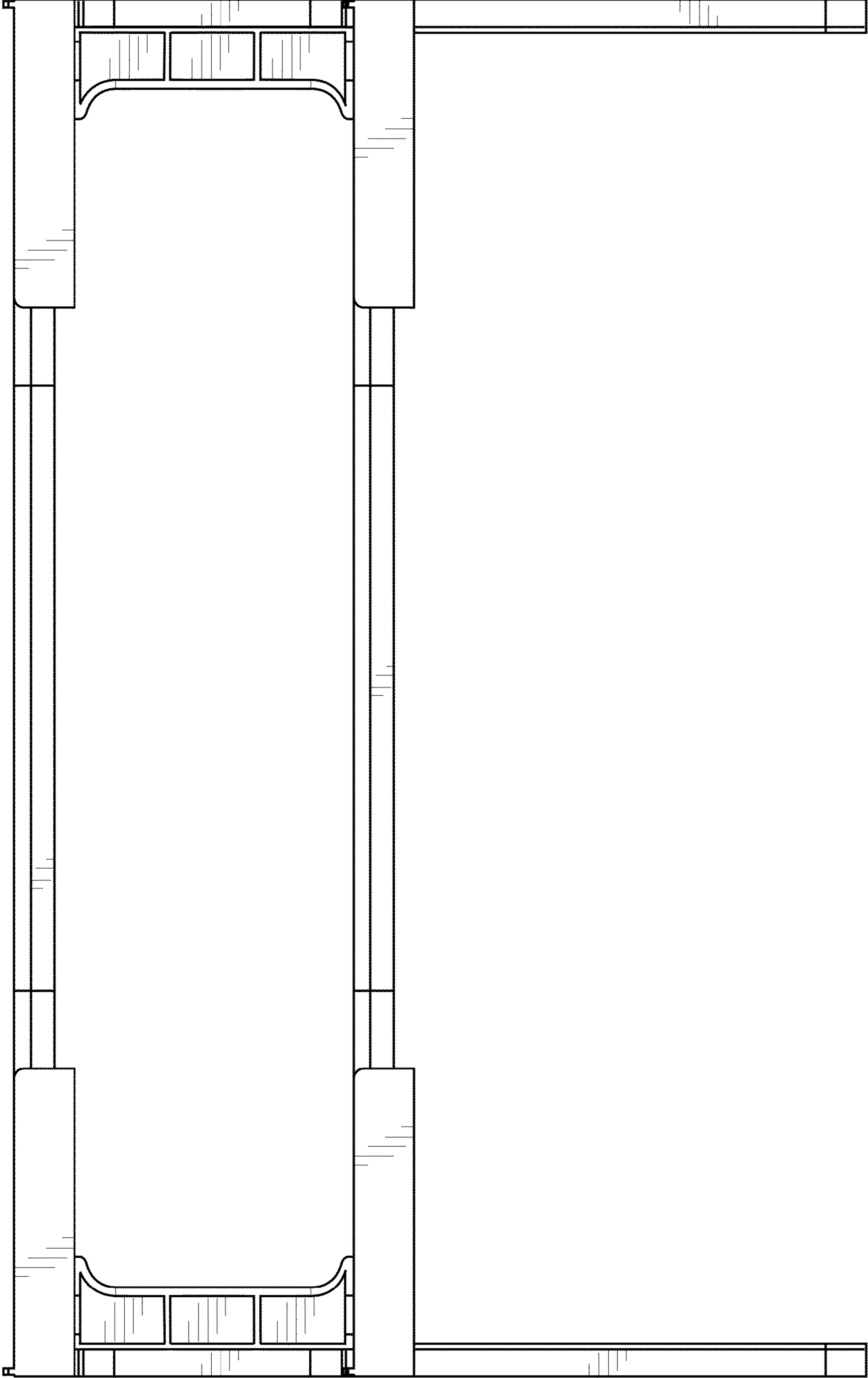


FIG. 5

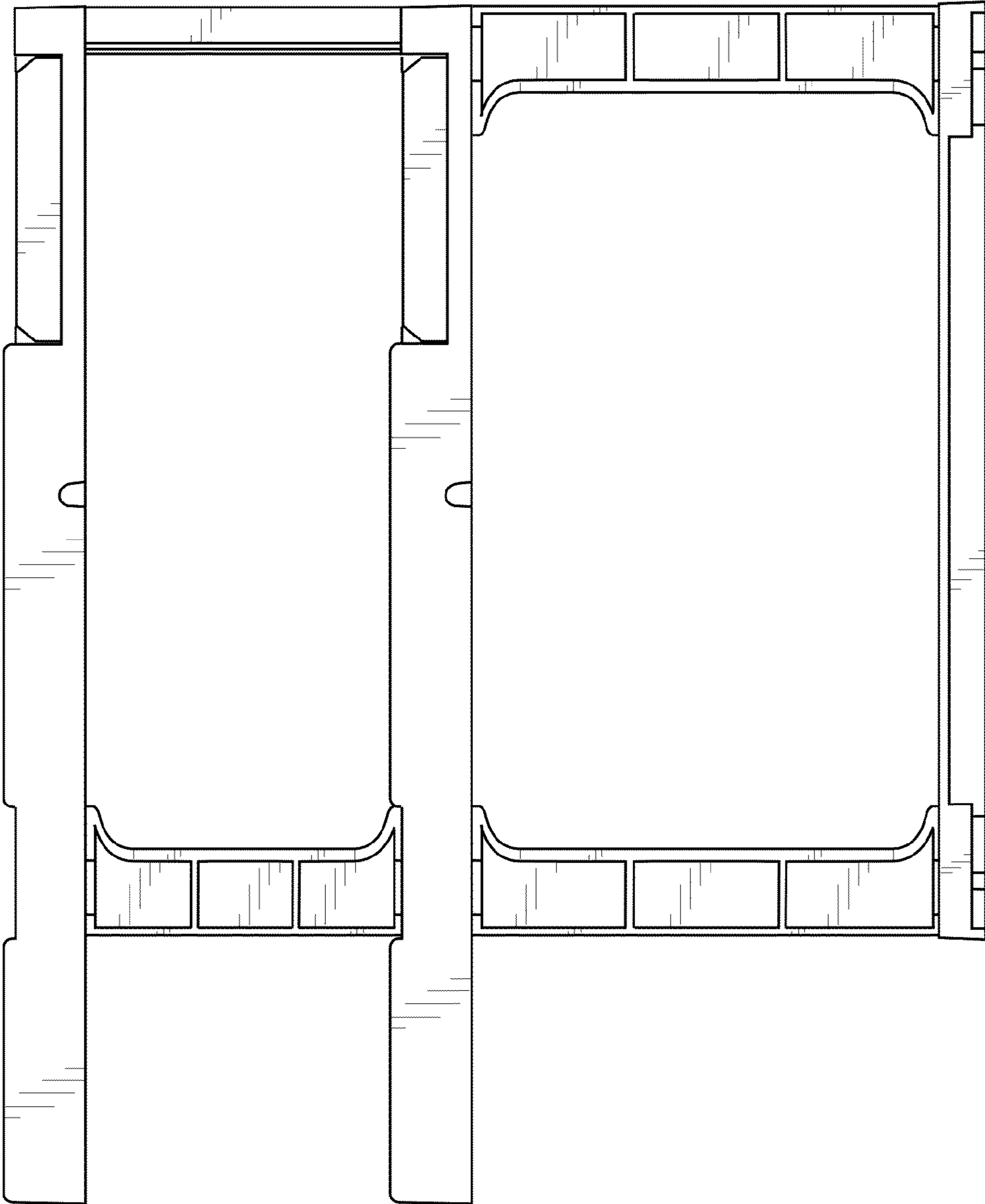


FIG. 6

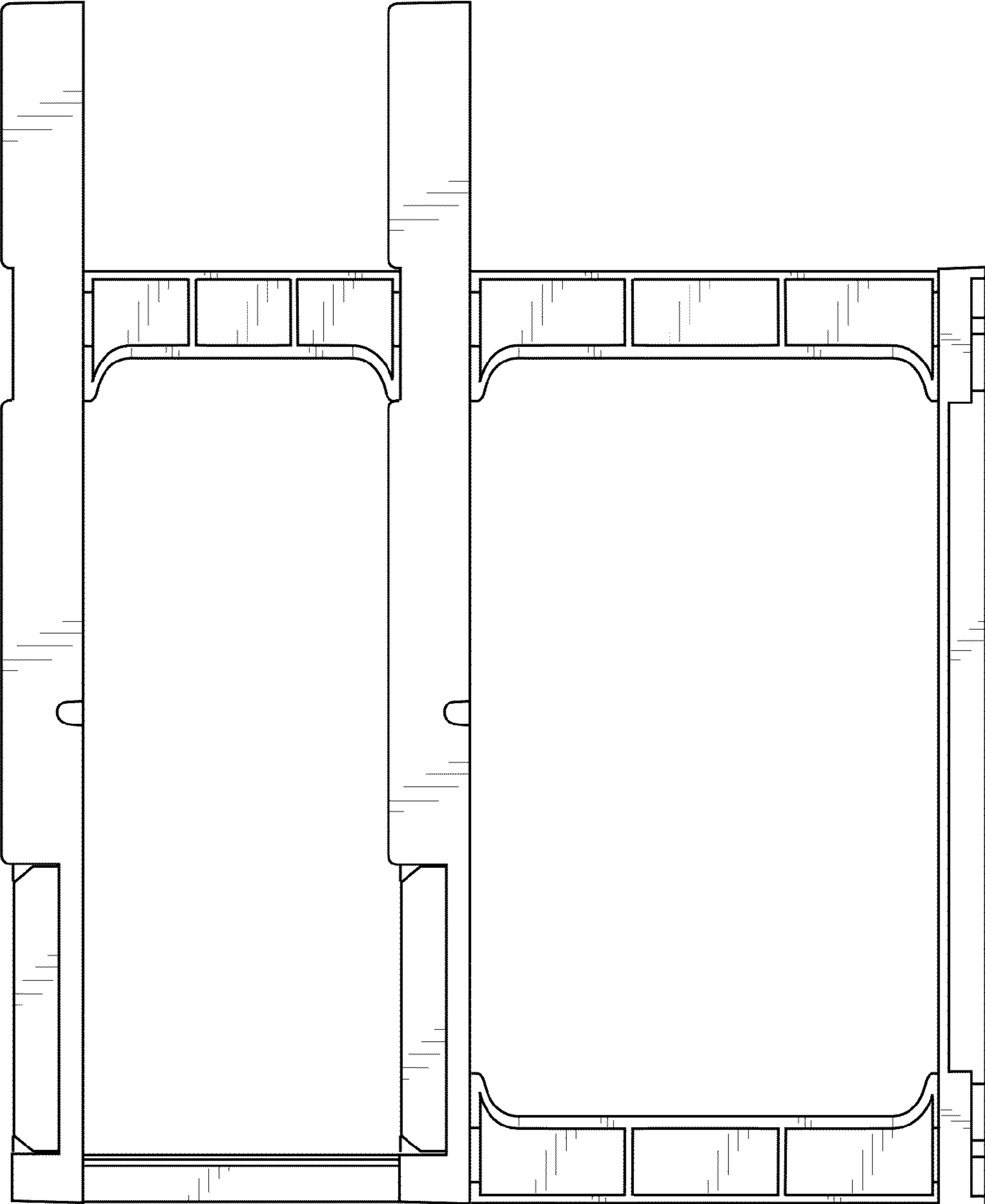


FIG. 7

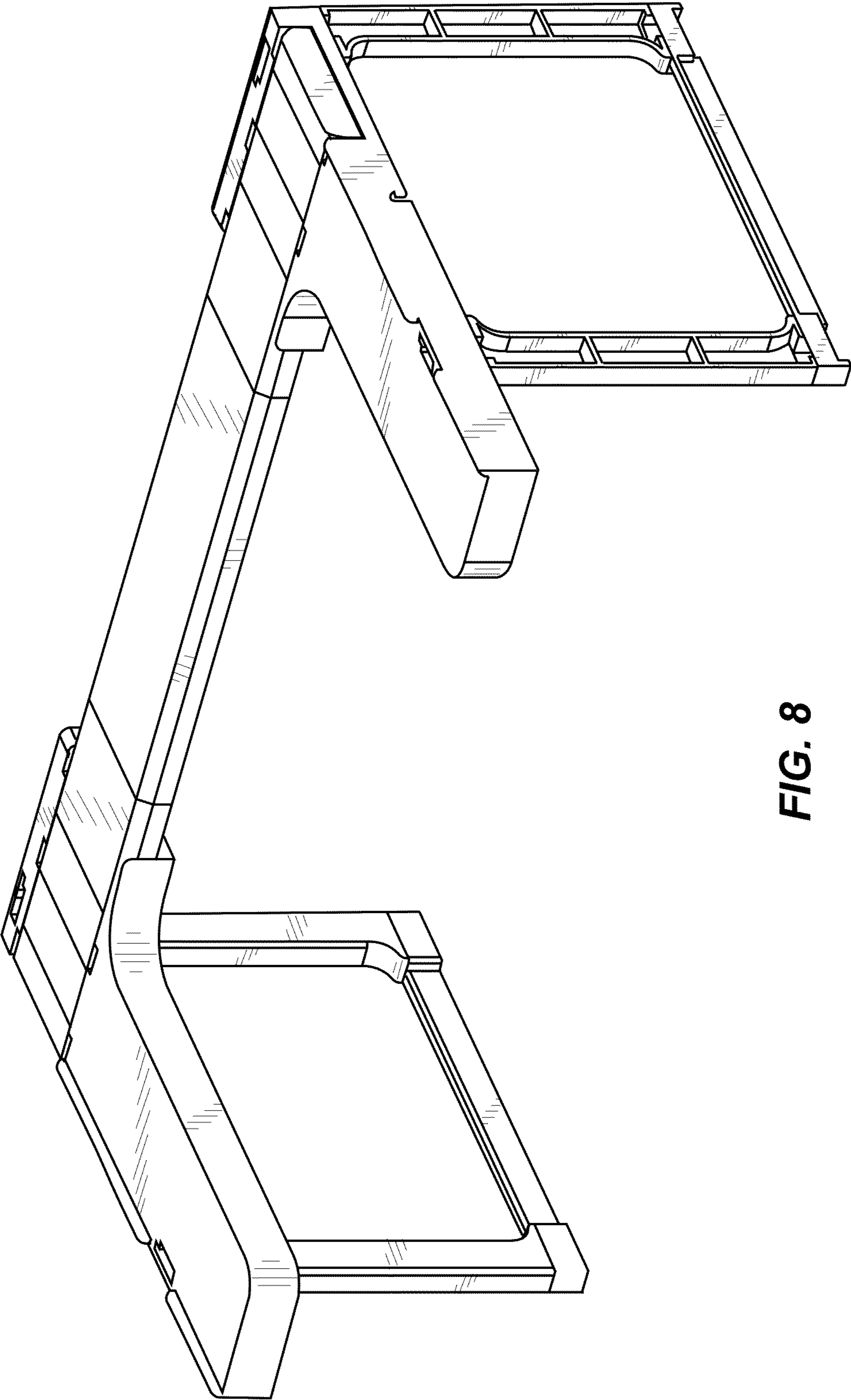


FIG. 8

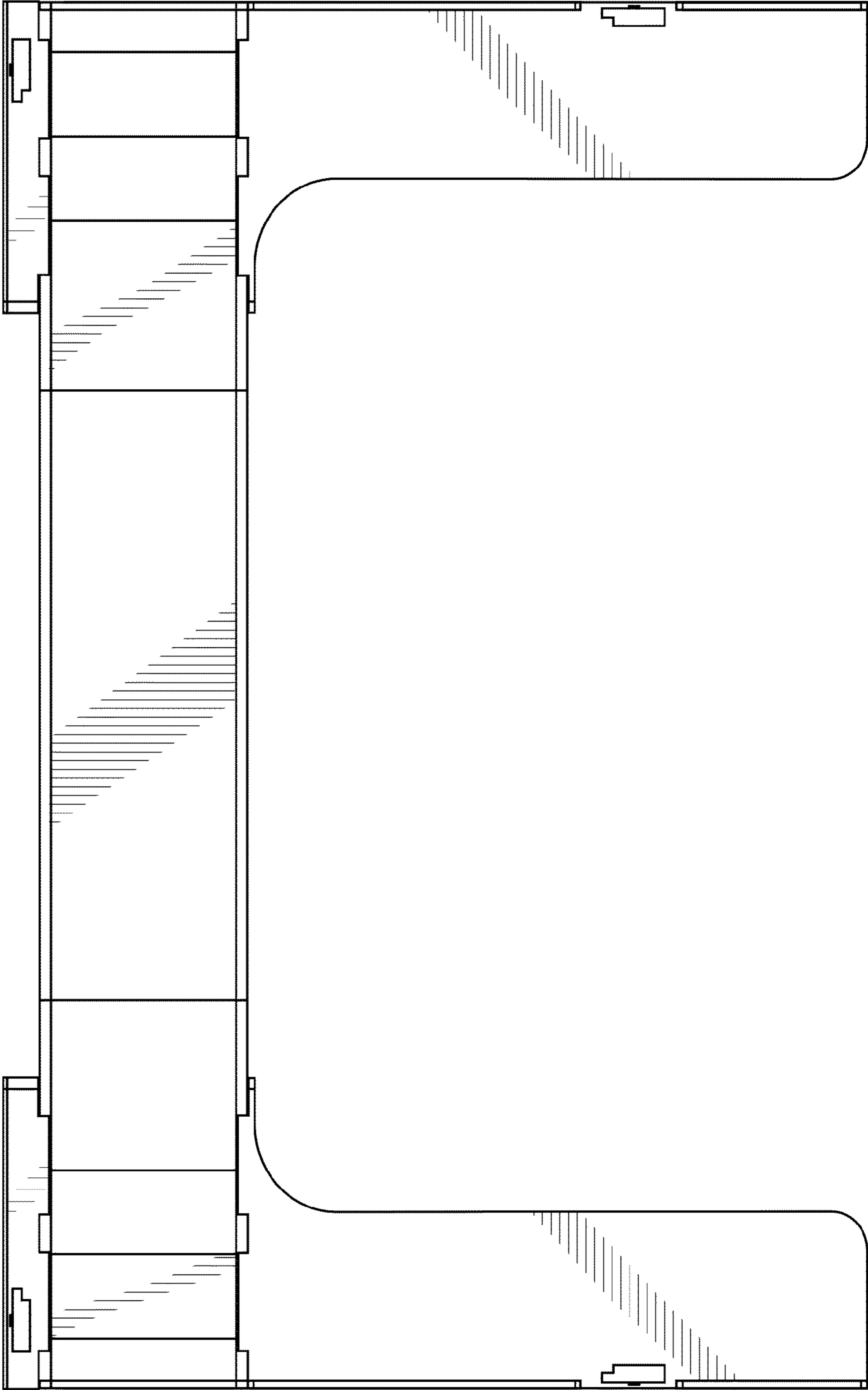


FIG. 9

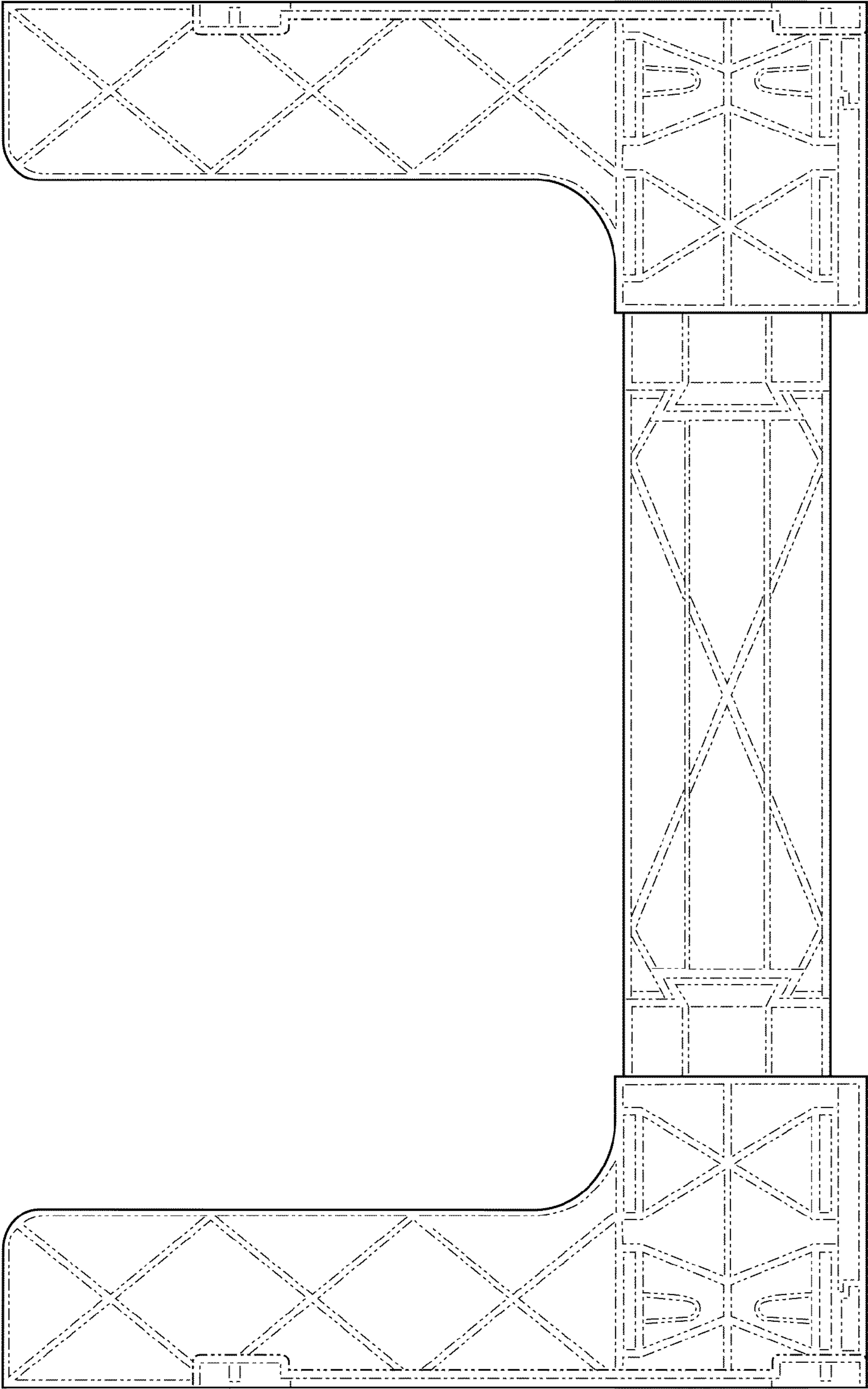


FIG. 10

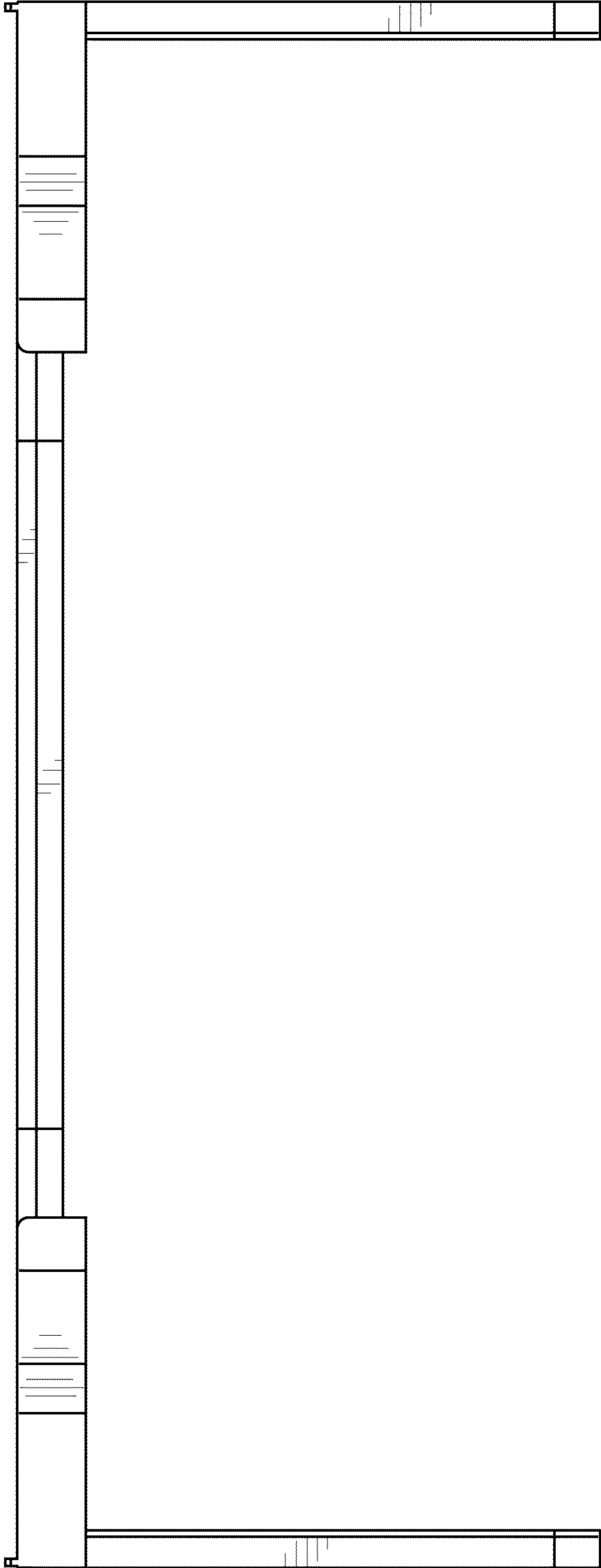


FIG. 11

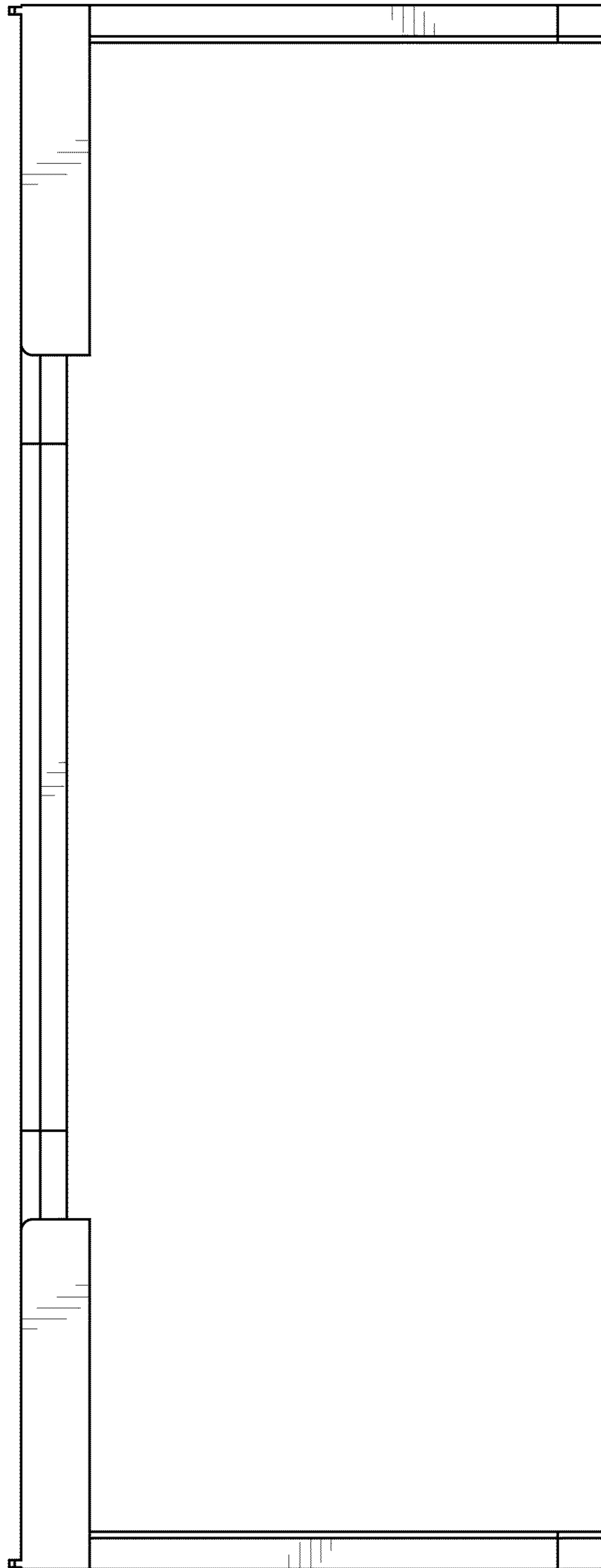


FIG. 12

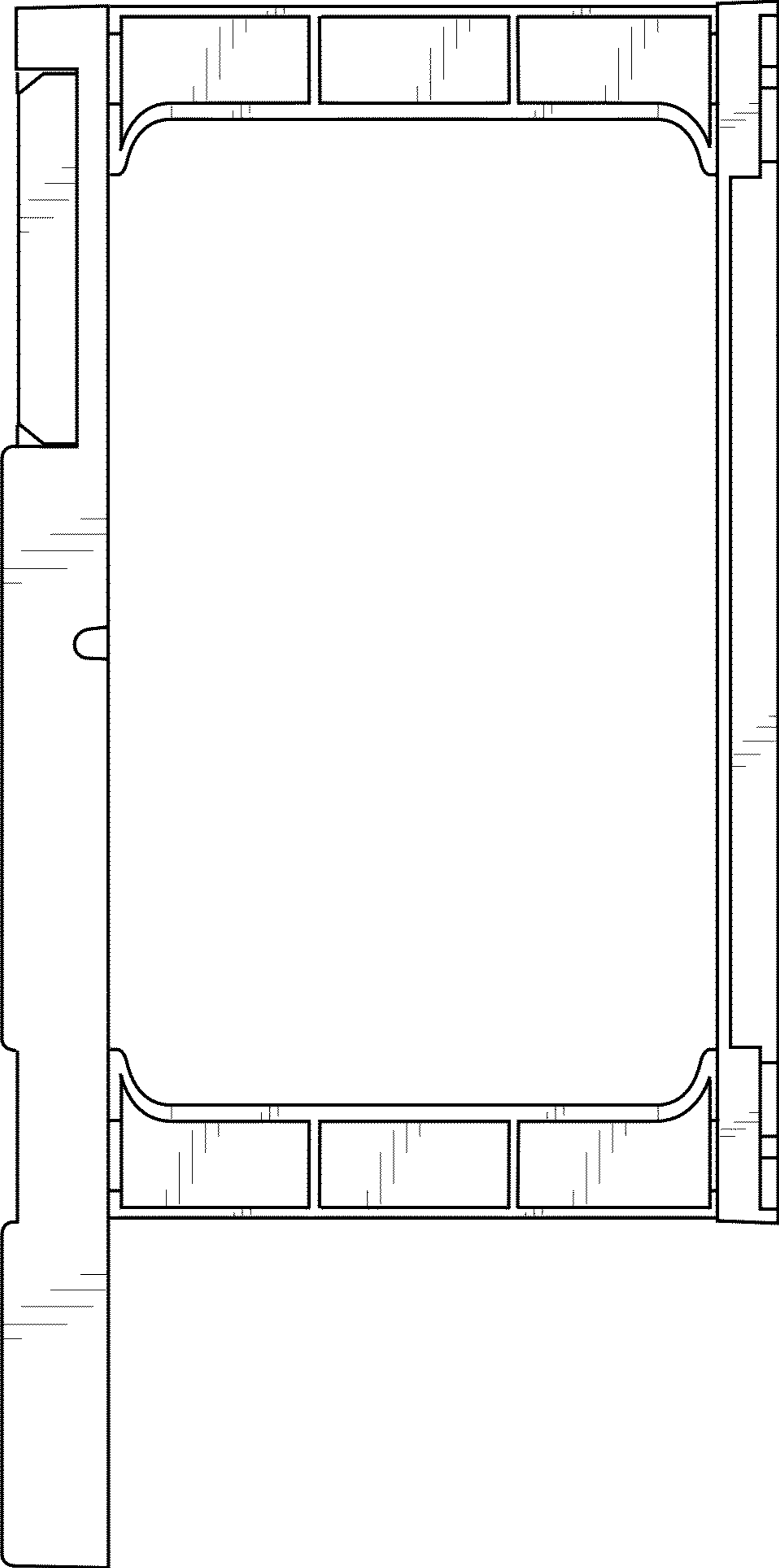


FIG. 13

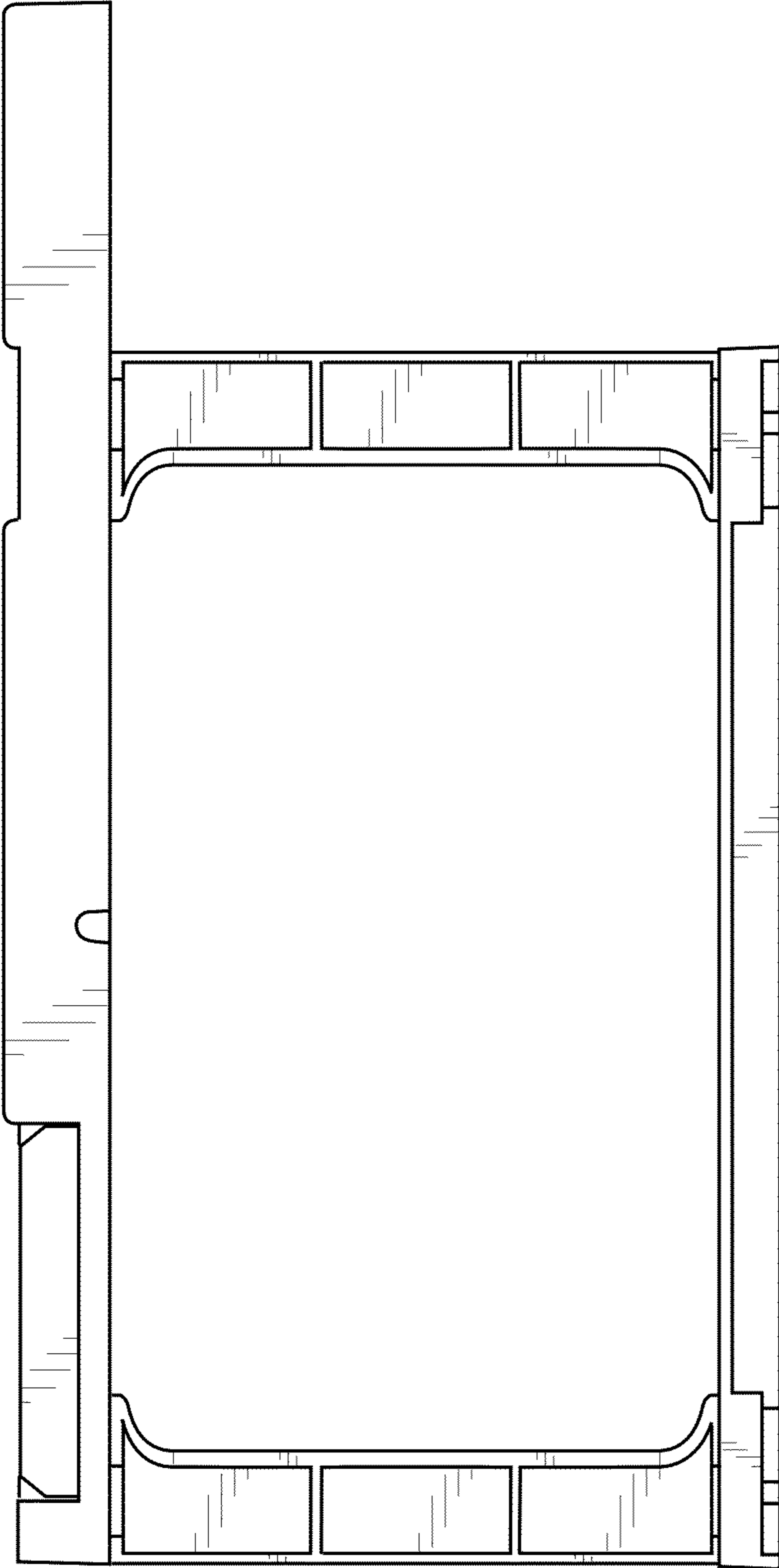


FIG. 14